

[54] SIGHTING INSTRUMENT

[75] Inventor: Rickard Jörlöv, Lomma, Sweden

[73] Assignee: Aimpoint Aktiebolag, Malmö, Sweden

[\*\*] Term: 14 Years

[21] Appl. No.: 291,192

[22] Filed: Dec. 28, 1988

[52] U.S. Cl. .... D16/132

[58] Field of Search ..... D16/132, 130; 33/241, 33/245-248; 350/562, 566, 569; 356/251, 252; 42/100, 101

[56] References Cited

U.S. PATENT DOCUMENTS

D. 305,030	12/1989	Fukushima	.....	D16/132
D. 305,031	12/1989	Fukushima	.....	D16/132
2,094,623	10/1937	Stokey	.....	33/246 X
4,373,269	2/1983	Doliber et al.	.....	33/246
4,458,436	7/1984	Bohl	.....	33/241 X
4,859,058	8/1989	Ekstrand	.....	356/251

Primary Examiner—A. Hugo Word

Assistant Examiner—Doris V. Coles  
Attorney, Agent, or Firm—Brooks & Kushman

[57] CLAIM

The ornamental design for a sighting instrument, as shown.

DESCRIPTION

FIG. 1 is a rear perspective view of a sighting instrument, showing my new design;  
 FIG. 2 is a rear elevational view thereof;  
 FIG. 3 is a front elevational view thereof;  
 FIG. 4 is a top plan view thereof;  
 FIG. 5 is a left side elevational view thereof;  
 FIG. 6 is a bottom plan view thereof;  
 FIG. 7 is a right side elevational view thereof;  
 FIG. 8 is a rear perspective view of another embodiment;  
 FIG. 9 is a rear elevational view thereof;  
 FIG. 10 is a front elevational view thereof;  
 FIG. 11 is a top plan view thereof;  
 FIG. 12 is a left side elevational view thereof;  
 FIG. 13 is a bottom plan view thereof; and  
 FIG. 14 is a right side elevational view thereof.

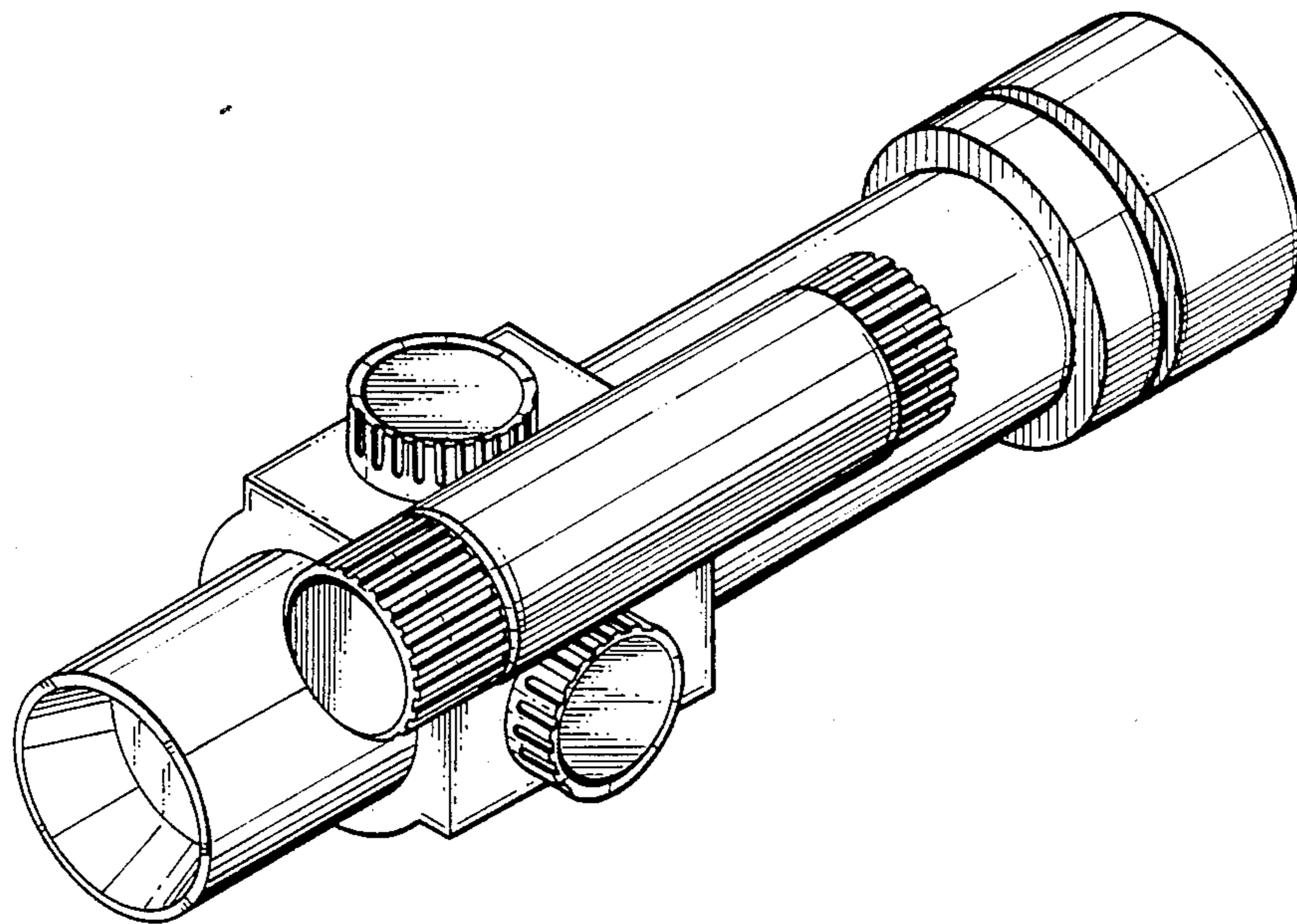


FIG. 1

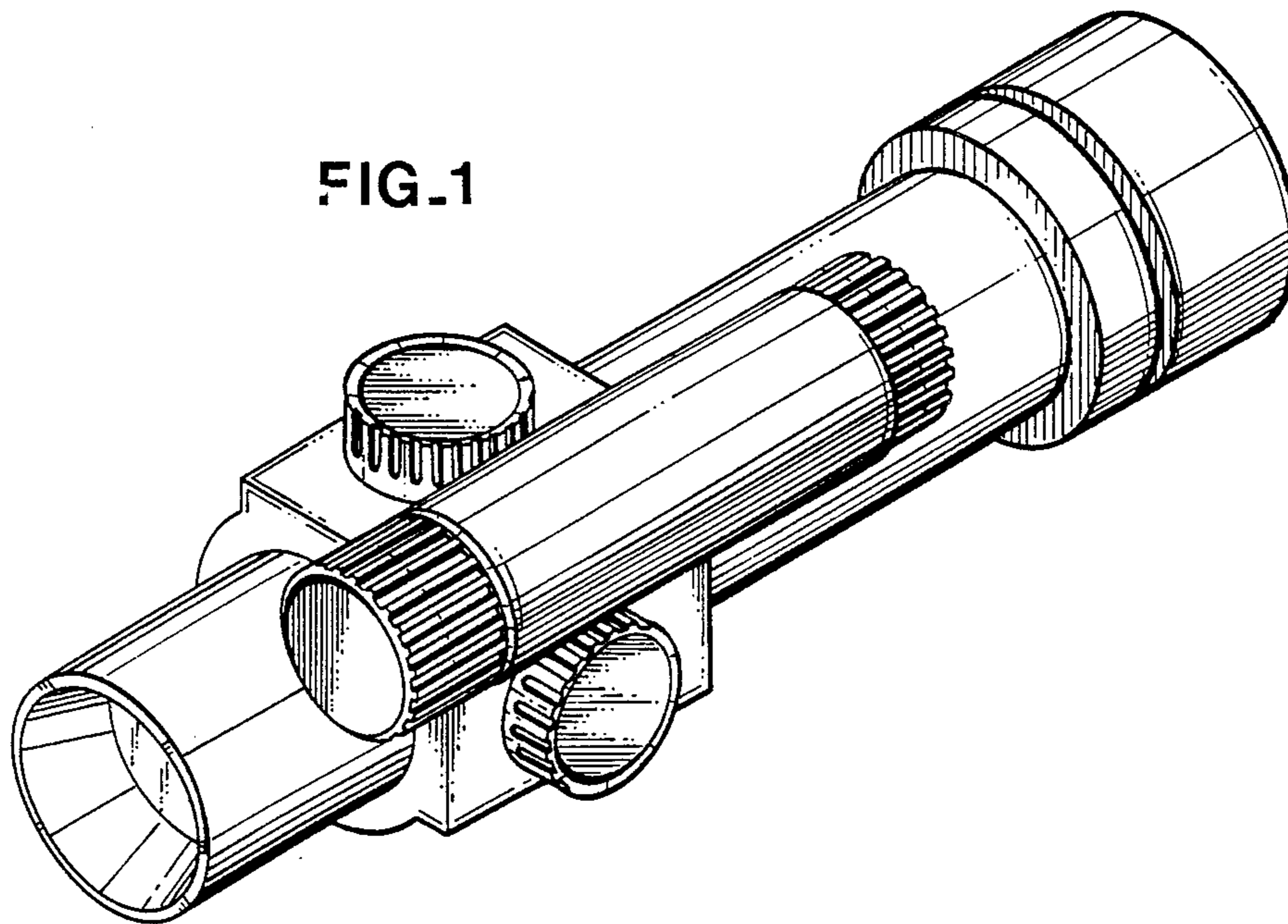


FIG. 2

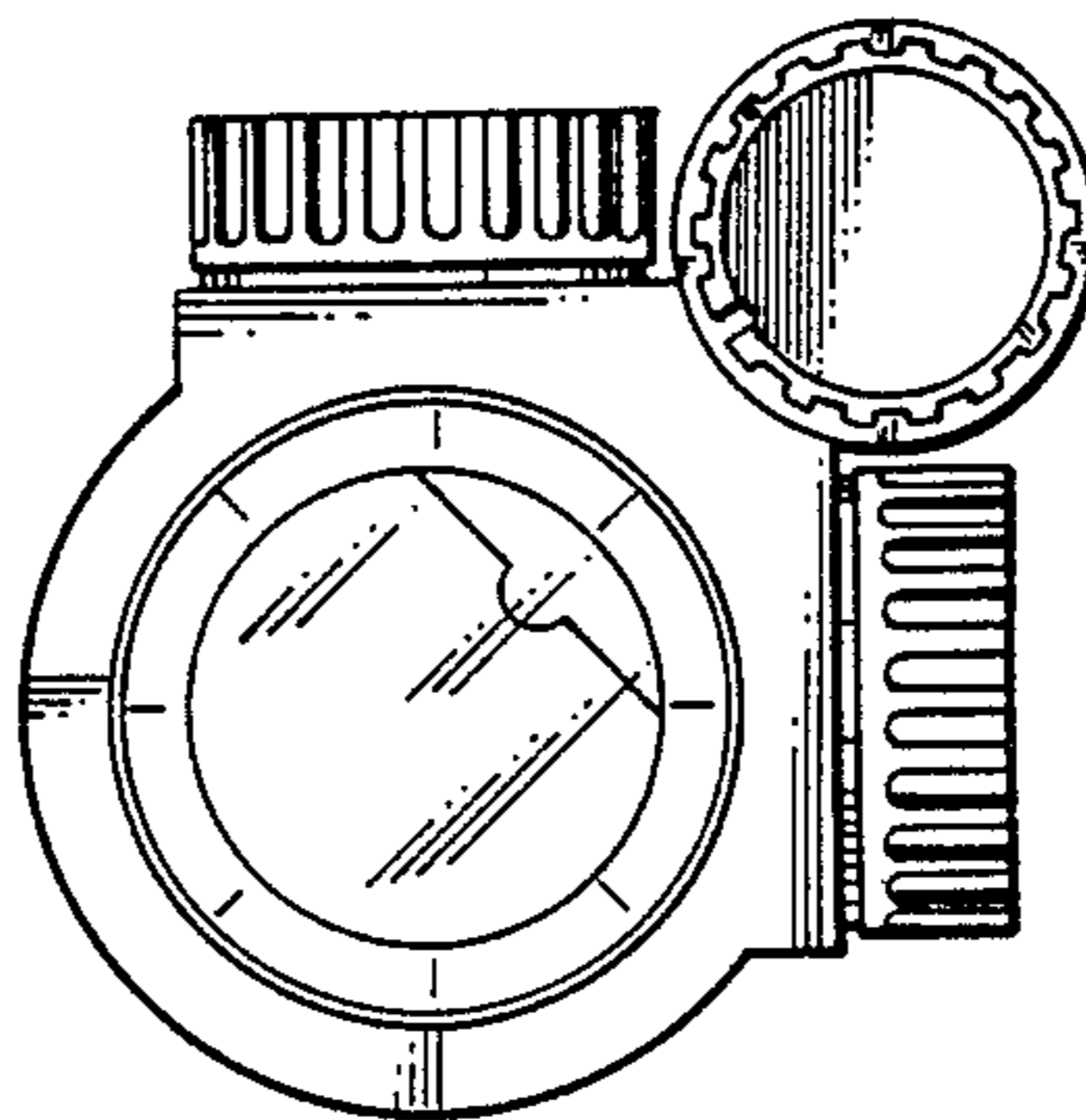


FIG. 3

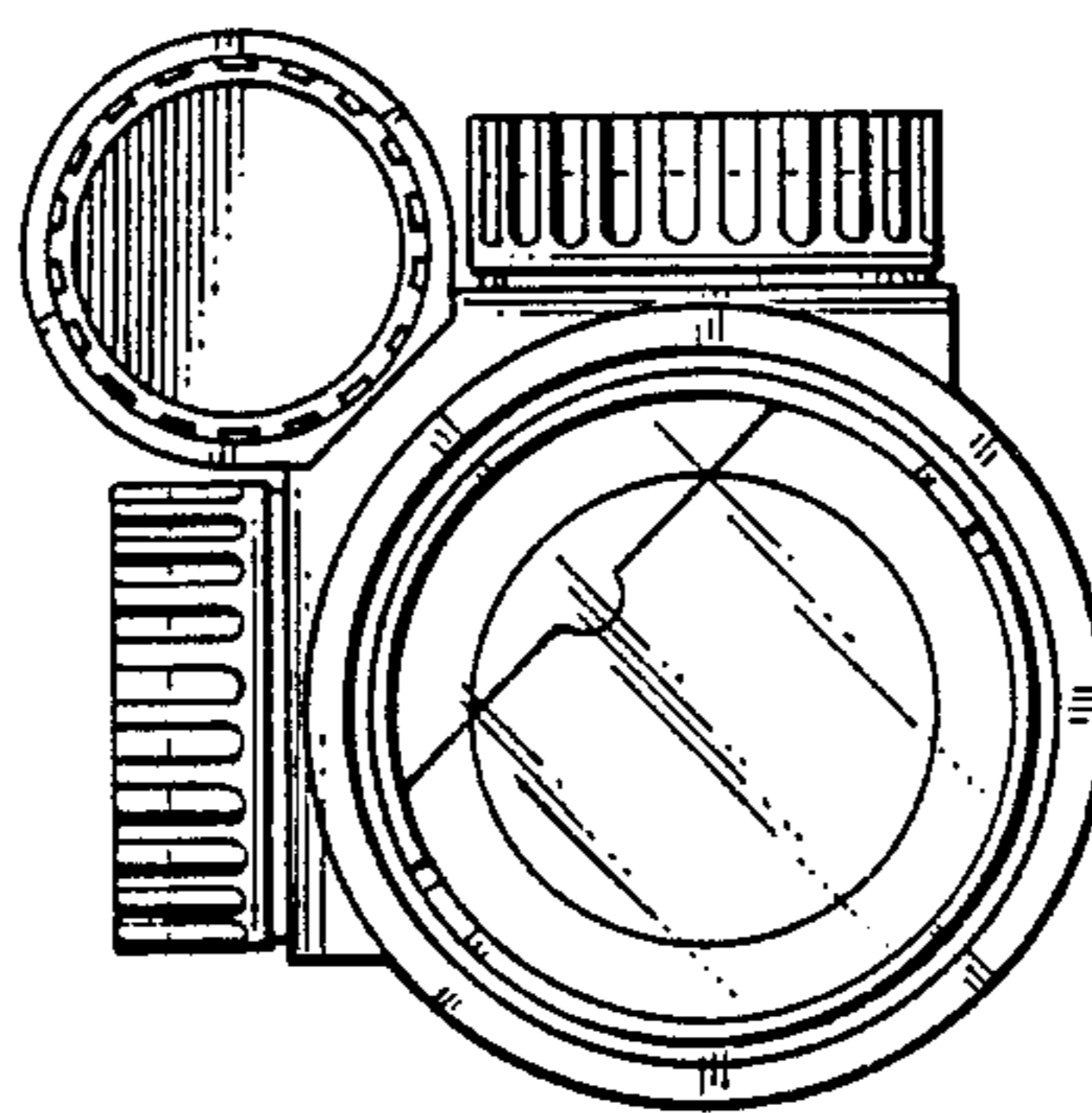


FIG. 4

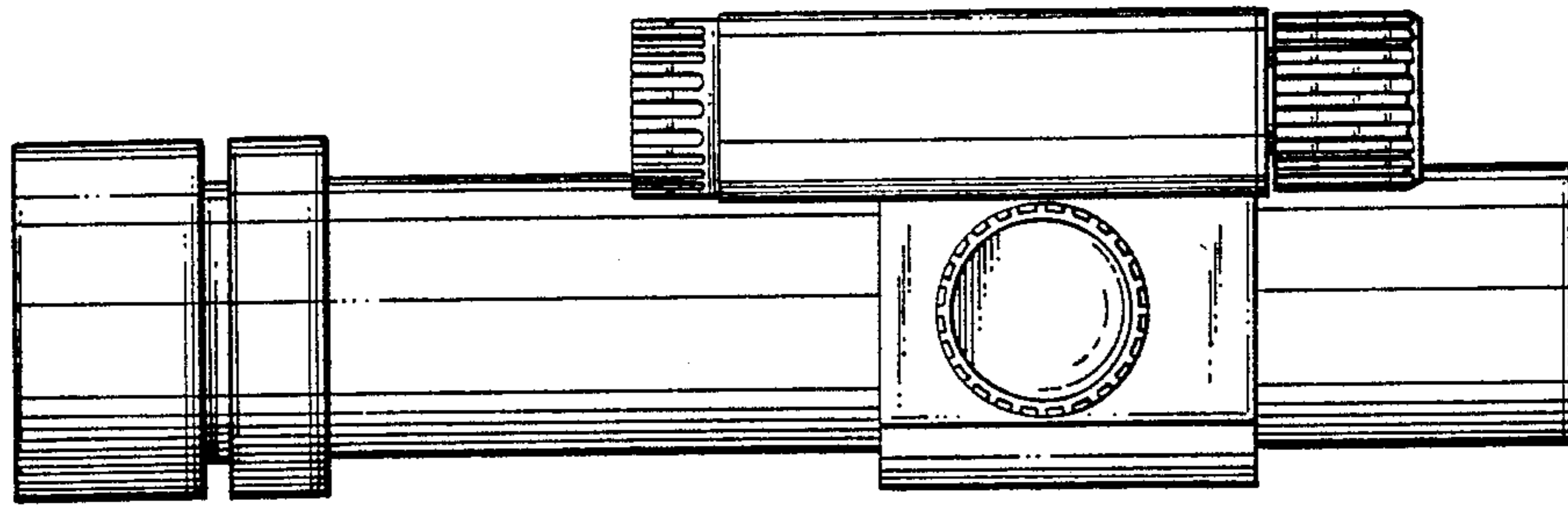


FIG. 5

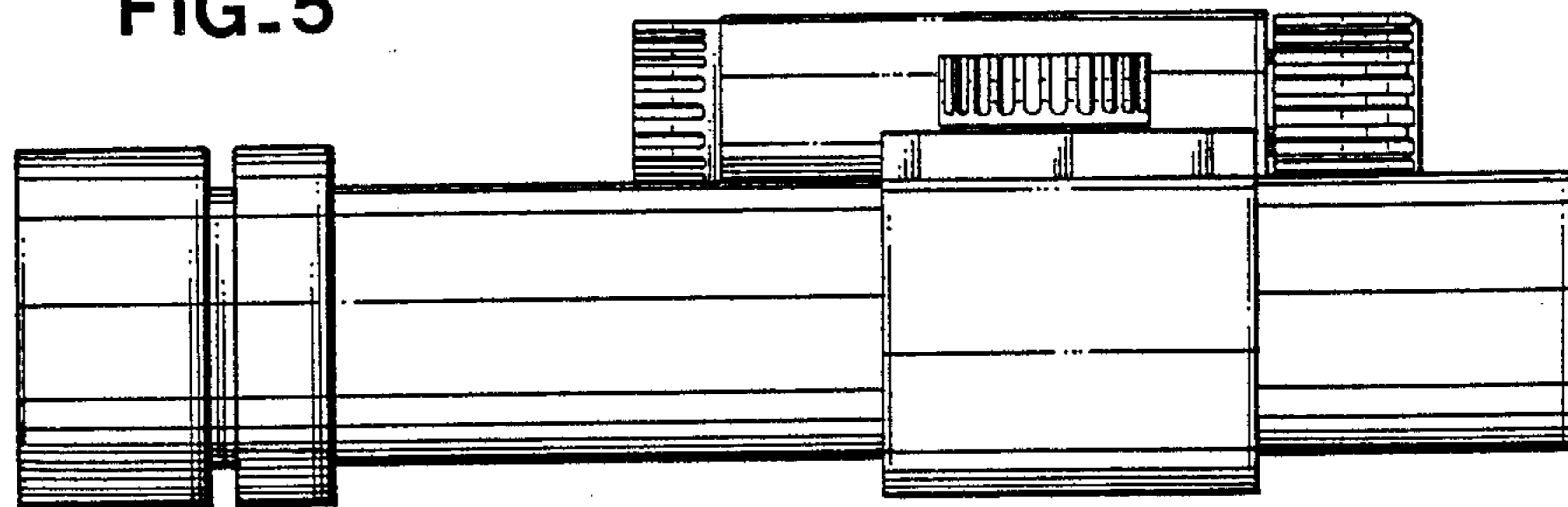


FIG. 6

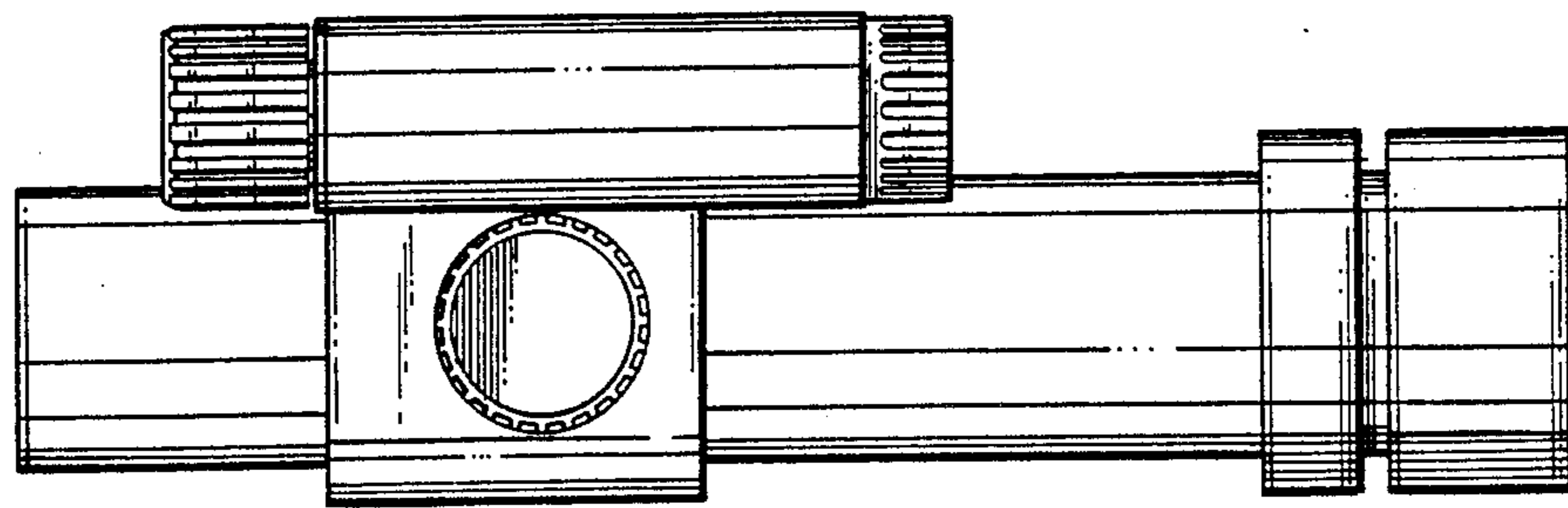


FIG. 7

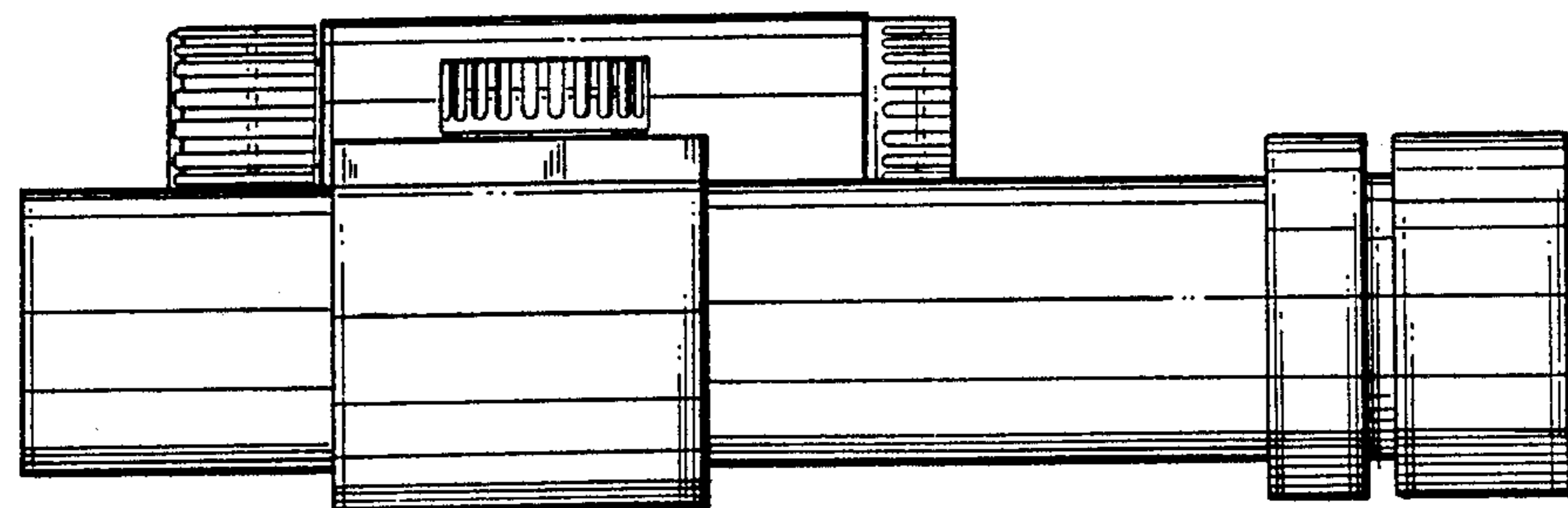




FIG. 8

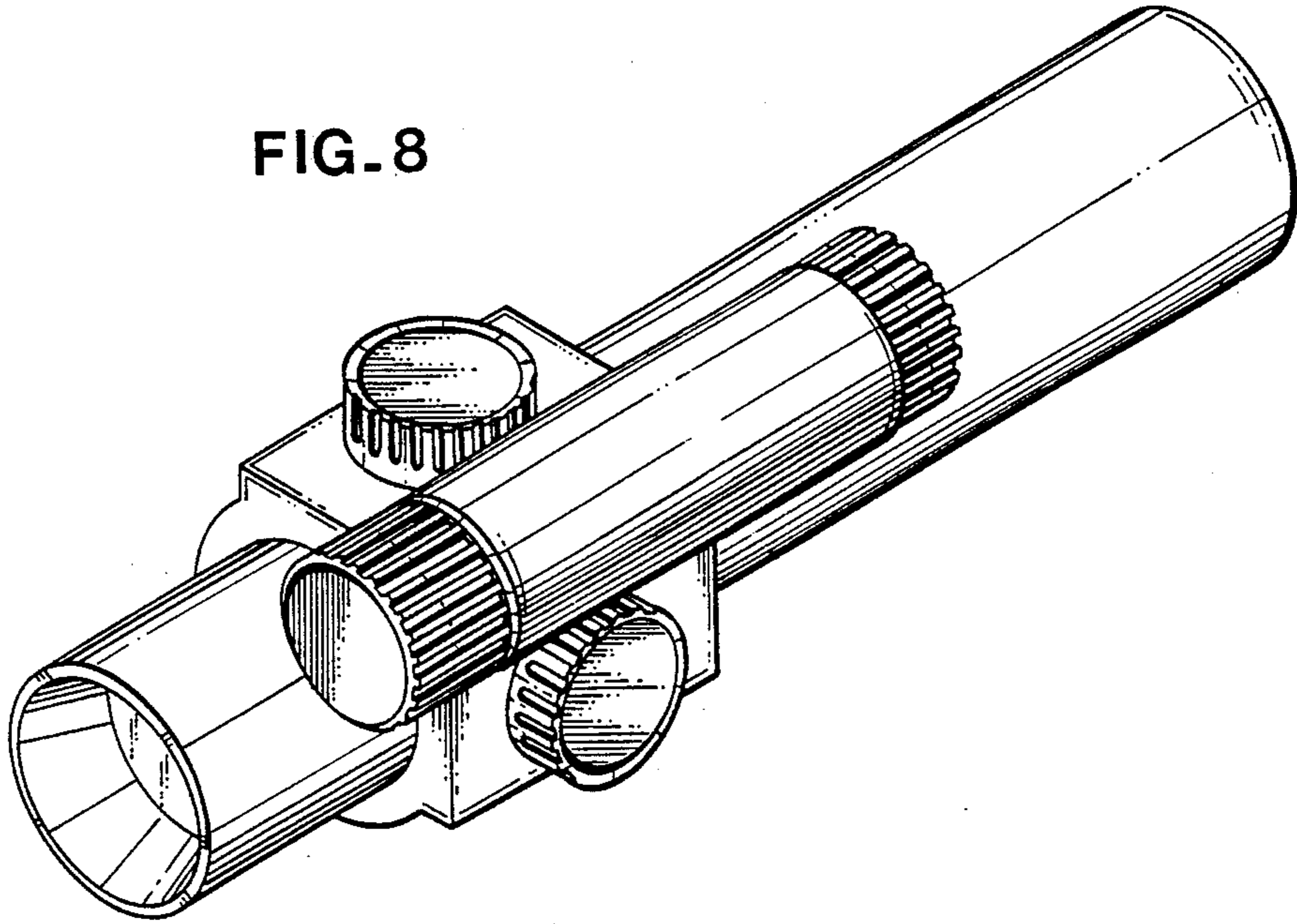


FIG. 9

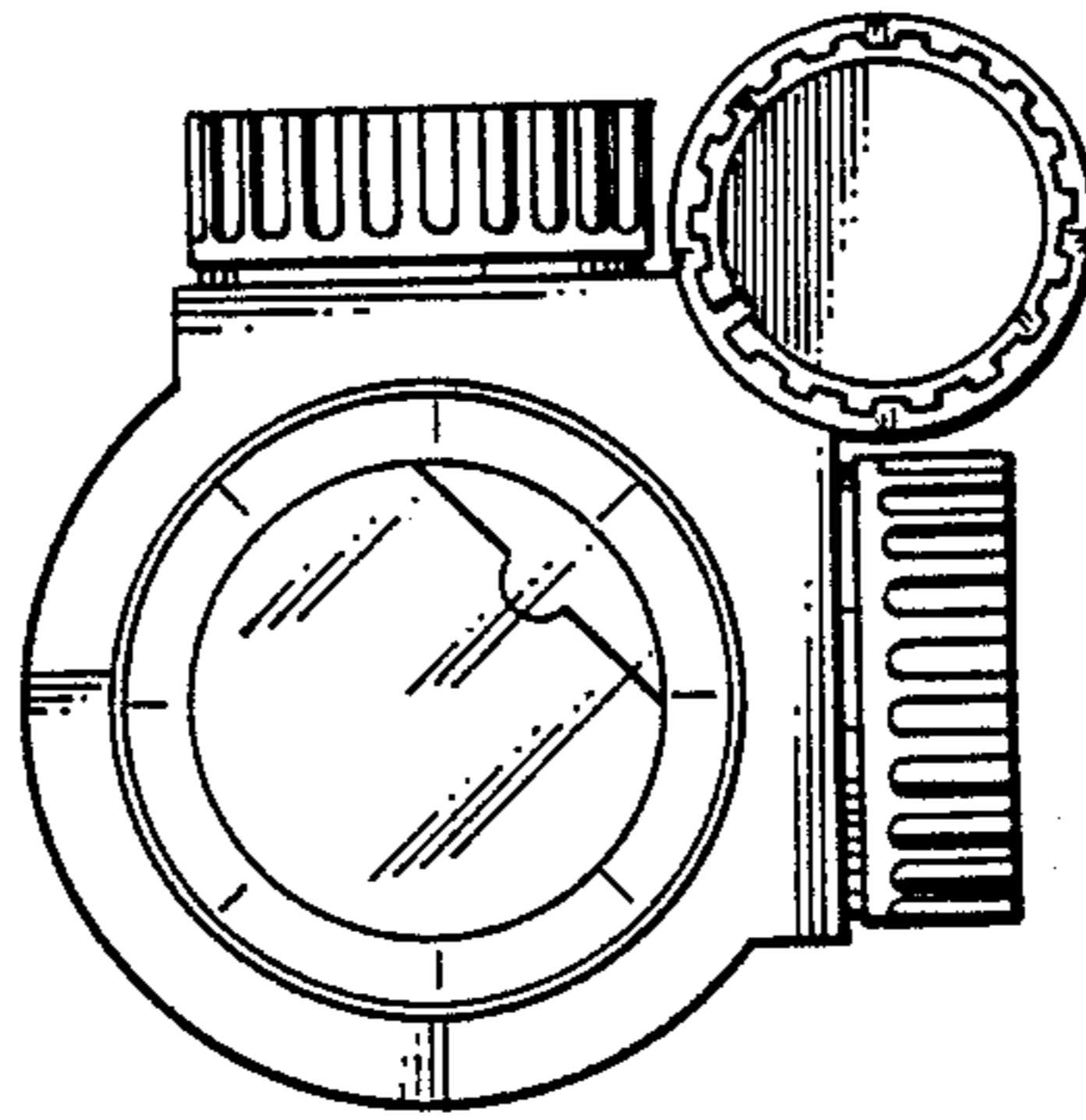


FIG. 10

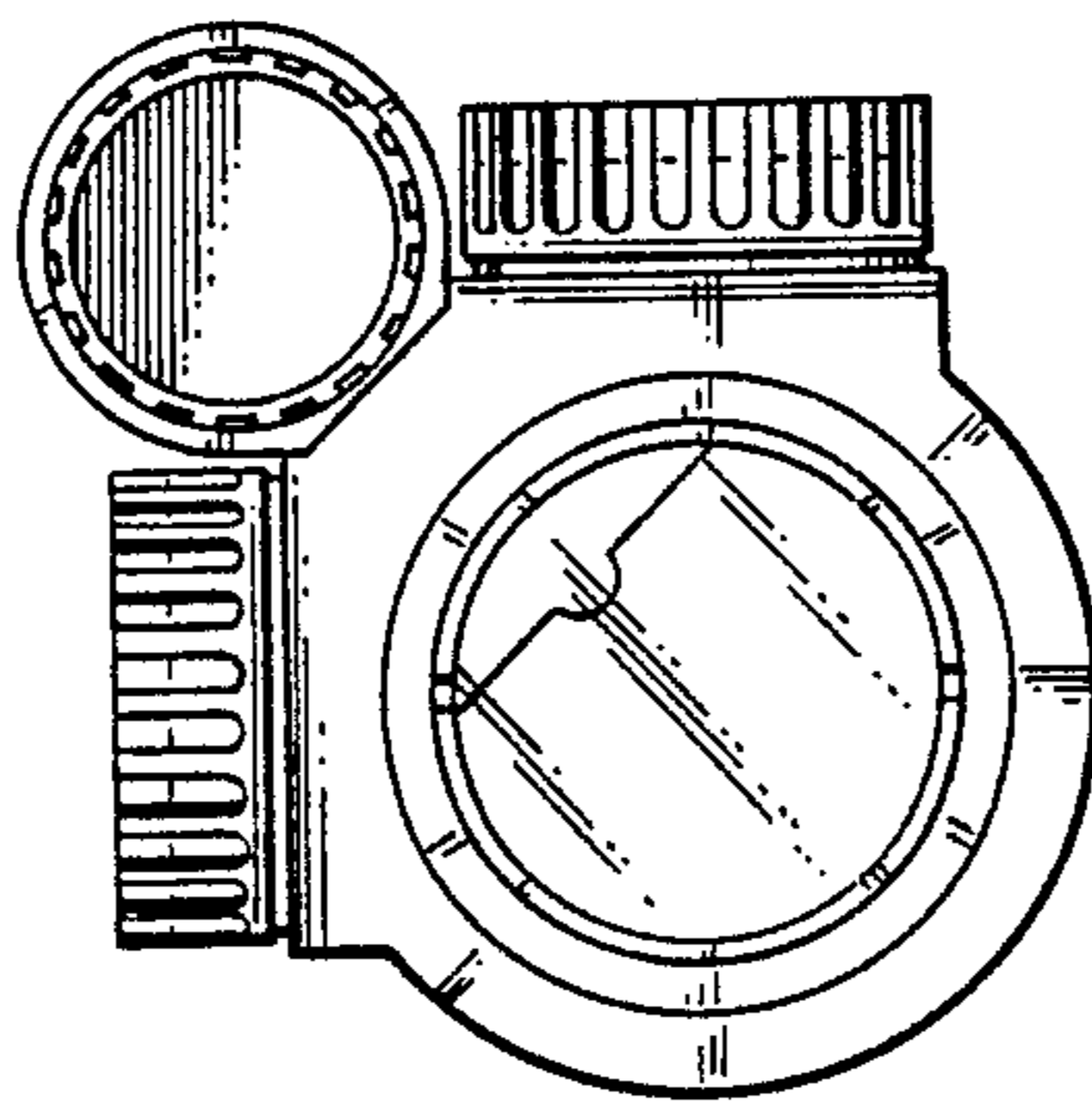


FIG. 11

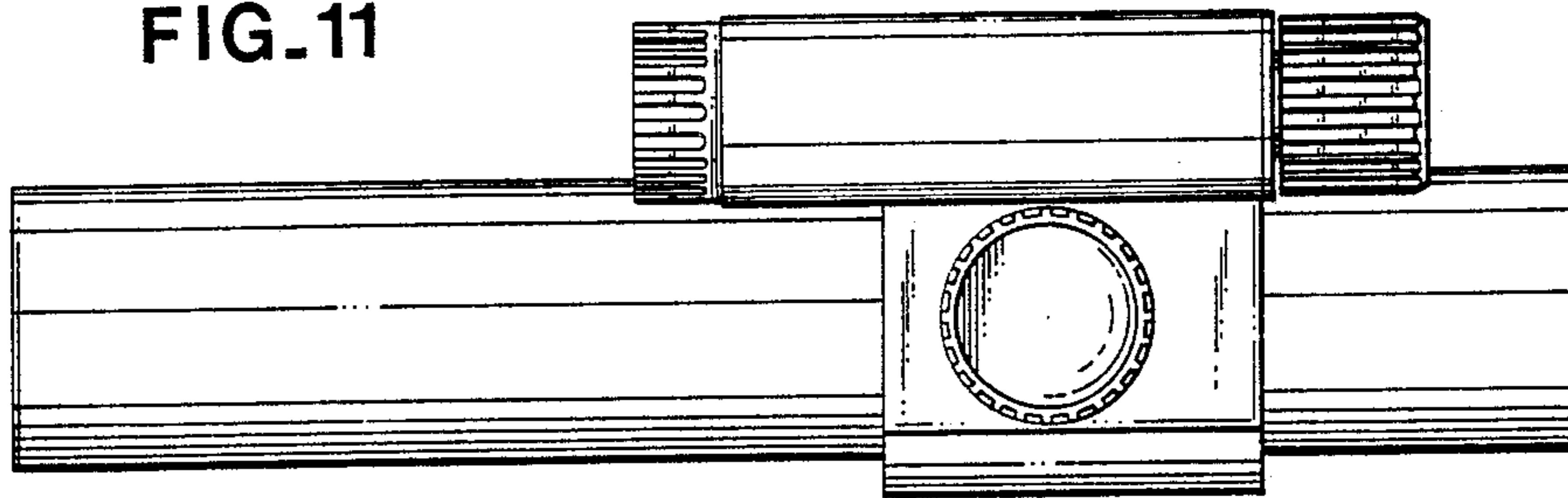


FIG. 12

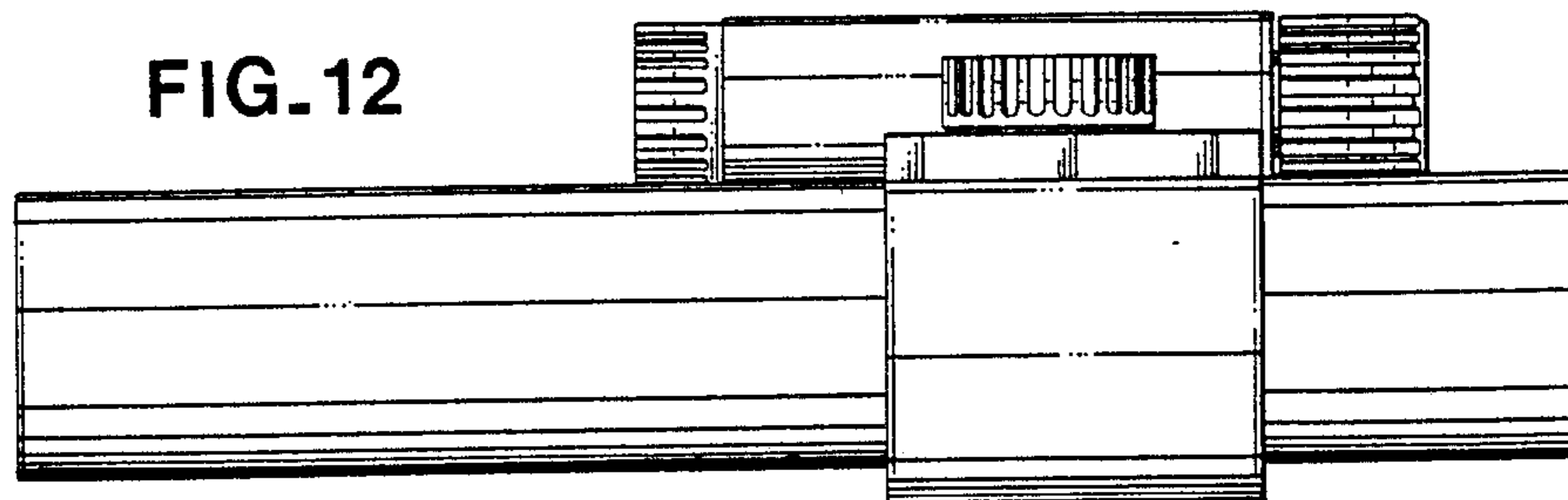


FIG. 13

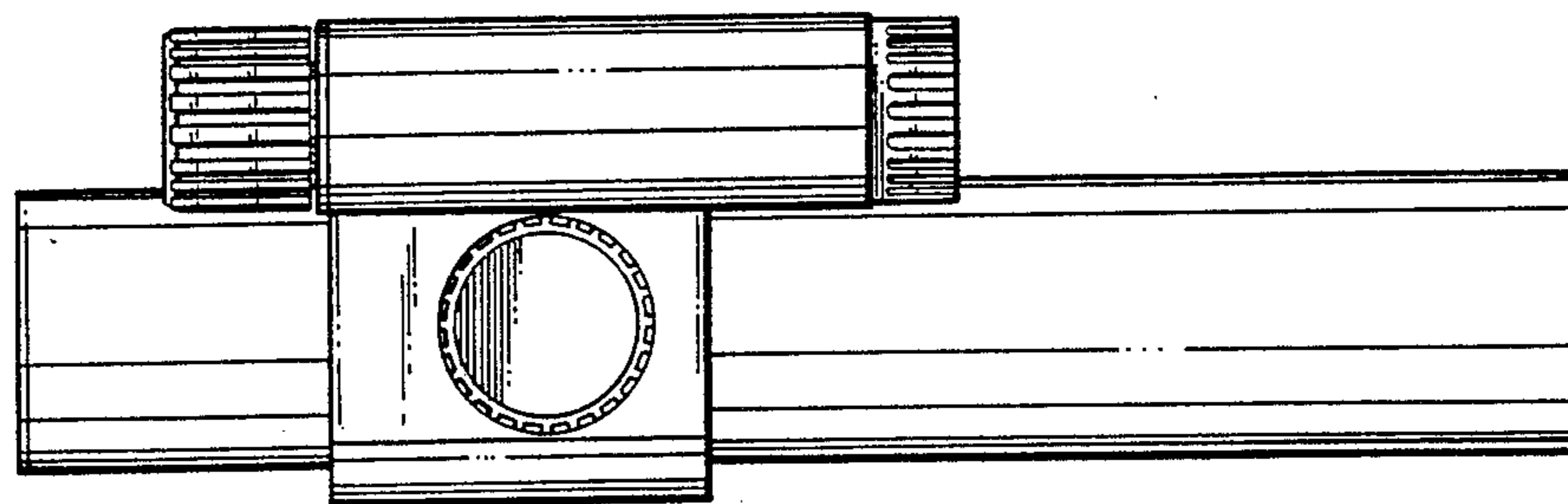


FIG. 14

