

[54] PAIR OF BINOCULARS OR SIMILAR ARTICLE

4,066,329 1/1978 Van Exel 350/552
4,240,690 12/1980 Kimura 350/552
4,531,817 7/1985 Sato 350/552 X

[75] Inventor: George Rosenfield, Coral Gables, Fla.

Primary Examiner—Wallace R. Burke
Assistant Examiner—Stella M. Reid
Attorney, Agent, or Firm—I. Walton Bader

[73] Assignee: Tasco Sales, Inc., Miami, Fla.

[**] Term: 14 Years

[57] CLAIM

[21] Appl. No.: 60,582

The ornamental design for a pair of binoculars or similar article, as shown.

[22] Filed: Jun. 10, 1987

[52] U.S. Cl. D16/133

[58] Field of Search D16/133; 350/553, 554, 350/545, 546, 551, 552, 550, 145

DESCRIPTION

FIG. 1 is a side elevational view of a pair of binoculars or similar article showing my new design; FIG. 2 is a front elevational view thereof; FIG. 3 is a side elevational view thereof, opposite that shown in FIG. 1; FIG. 4 is a top plan view thereof; FIG. 5 is a rear elevational view thereof; FIG. 6 is a bottom plan view thereof.

[56] References Cited

U.S. PATENT DOCUMENTS

D. 298,261 10/1988 Ogasawara D16/133
D. 299,724 2/1989 Aoki D16/133

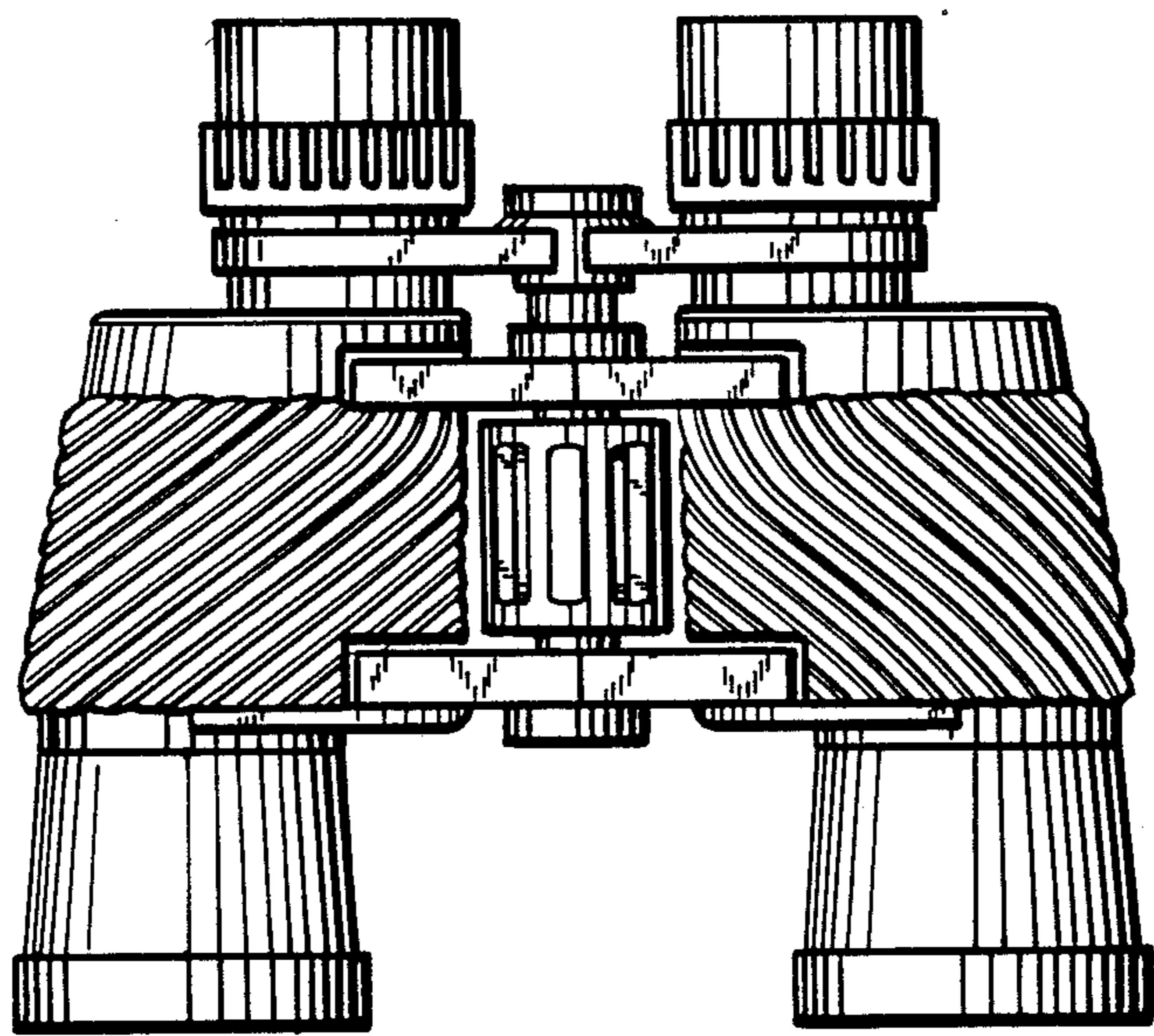


FIG. 1

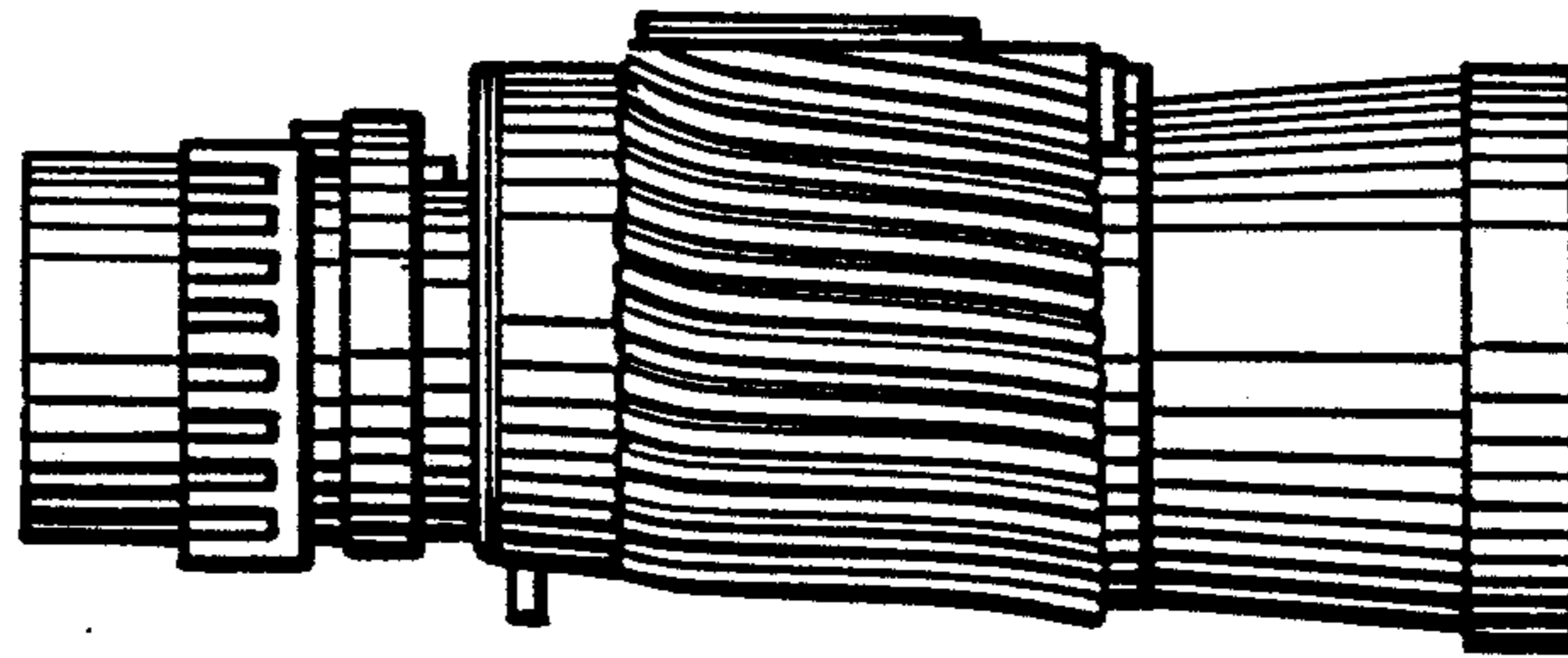


FIG. 2

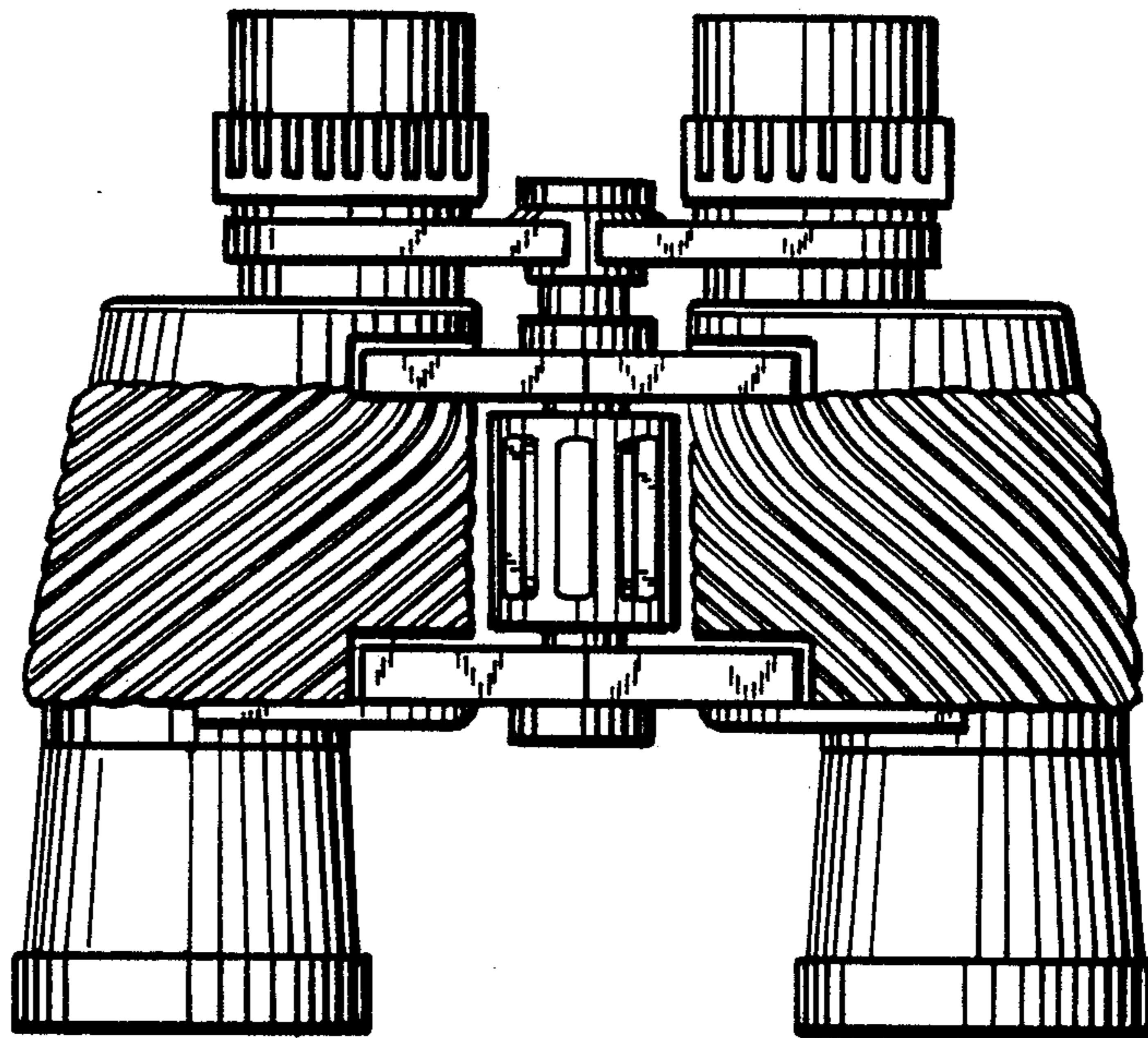


FIG. 3

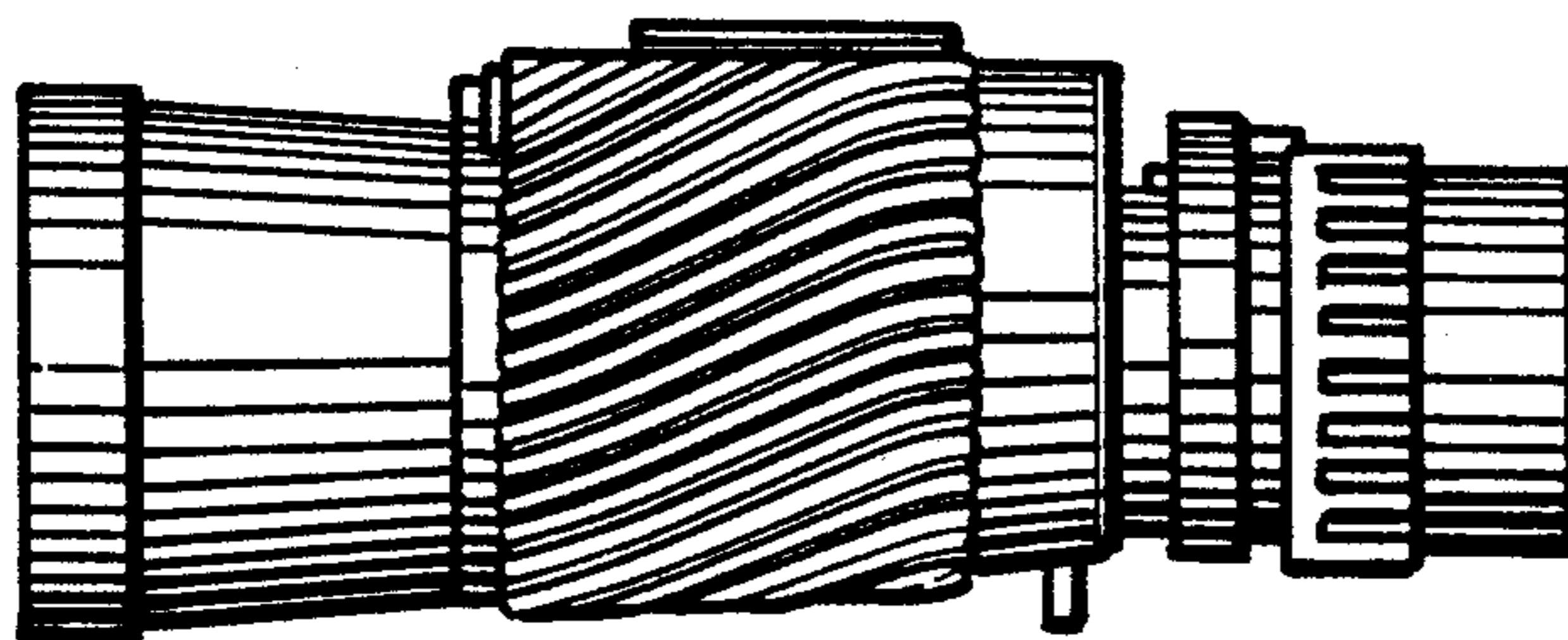


FIG.4

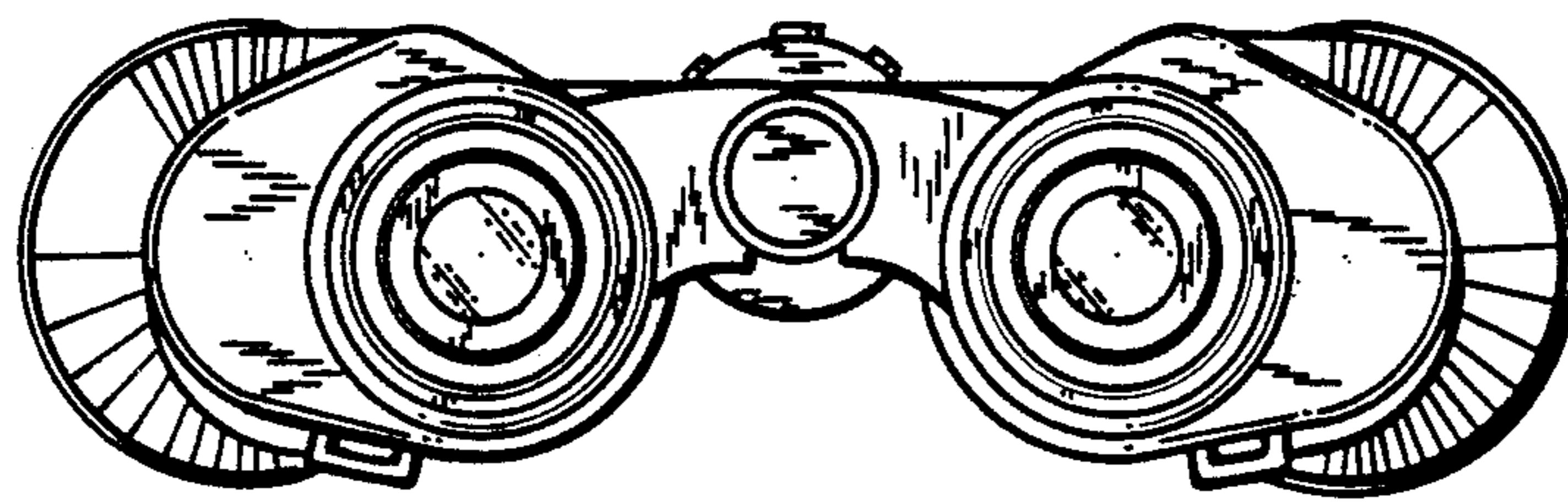


FIG.5

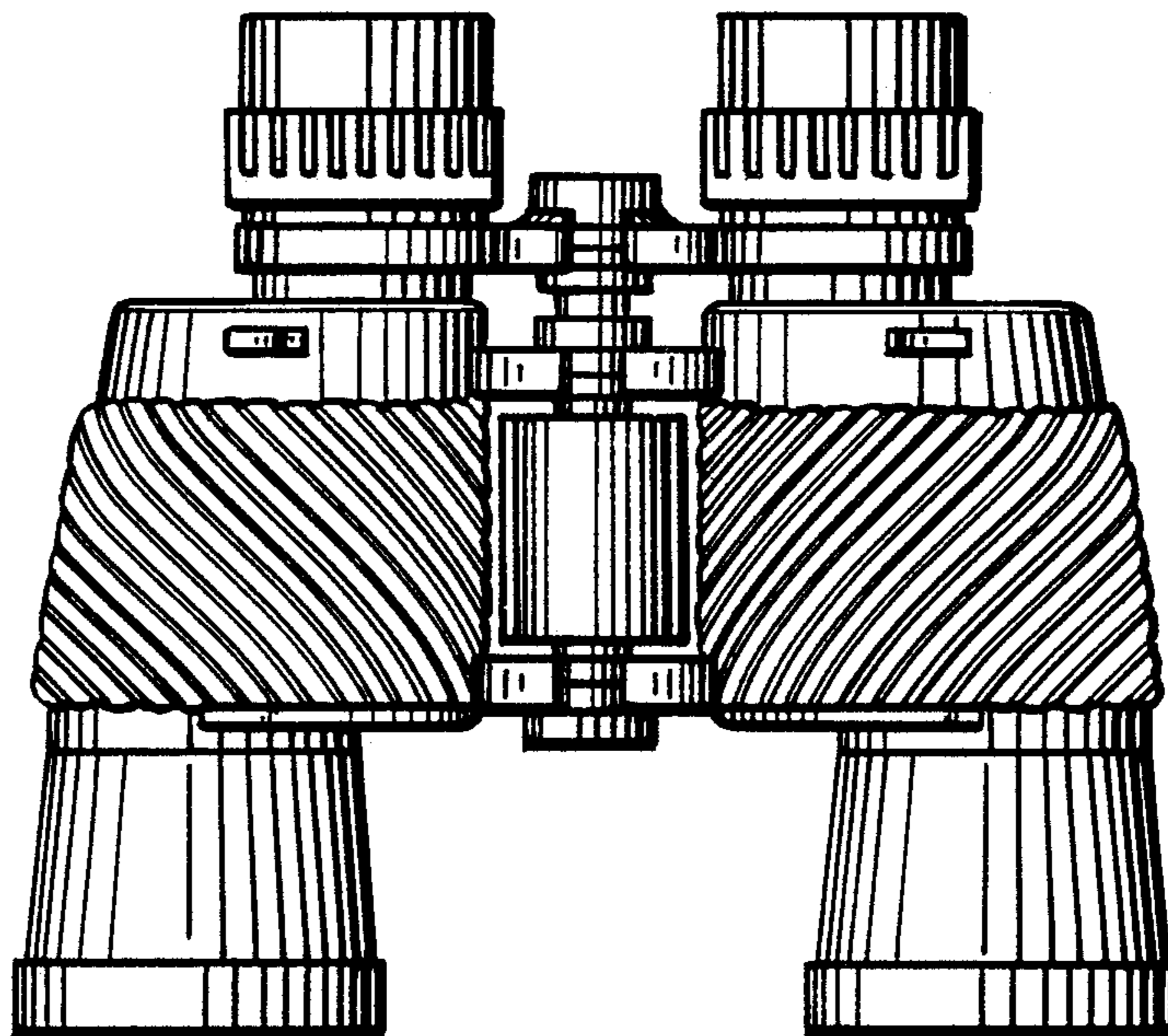


FIG.6

