

[54] CASSETTE TAPE RECORDER

[75] Inventor: Jong B. Lee, Incheonjikhalsi, Rep. of Korea

[73] Assignee: Goldstar Co., Ltd., Seoul, Rep. of Korea

[**] Term: 14 Years

[21] Appl. No.: 234,318

[22] Filed: Aug. 19, 1988

[30] Foreign Application Priority Data

Mar. 14, 1988 [KR] Rep. of Korea 3420/1988

[52] U.S. Cl. D14/164; D14/161

[58] Field of Search D14/141, 160-168, D14/188-189, 191-192, 196, 199, 202, 299; 455/344, 350, 351

[56] References Cited

U.S. PATENT DOCUMENTS

D. 230,281 2/1974 Tatsuta D14/162
D. 244,865 6/1977 Kneale et al. D14/164

OTHER PUBLICATIONS

HFD; 05/23/88; p. 101; top right—Soundesign Model 3844 Clock Radio with Cassette Player.

HFD; 06/01/87; p. 110; bottom left—GE AM/FM Alarm Clock.

Audio; Jul. 1987; p. 46; bottom left—Mitsubishi DAT.

Primary Examiner—Theodore M. Shooman

Attorney, Agent, or Firm—Anthony J. Casella; Gerald E. Hespos

[57] CLAIM

The ornamental design for a cassette tape recorder, as shown.

DESCRIPTION

FIG. 1 is a top, front and right side perspective view of a cassette tape recorder showing my new design;

FIG. 2 is a top plan view thereof;

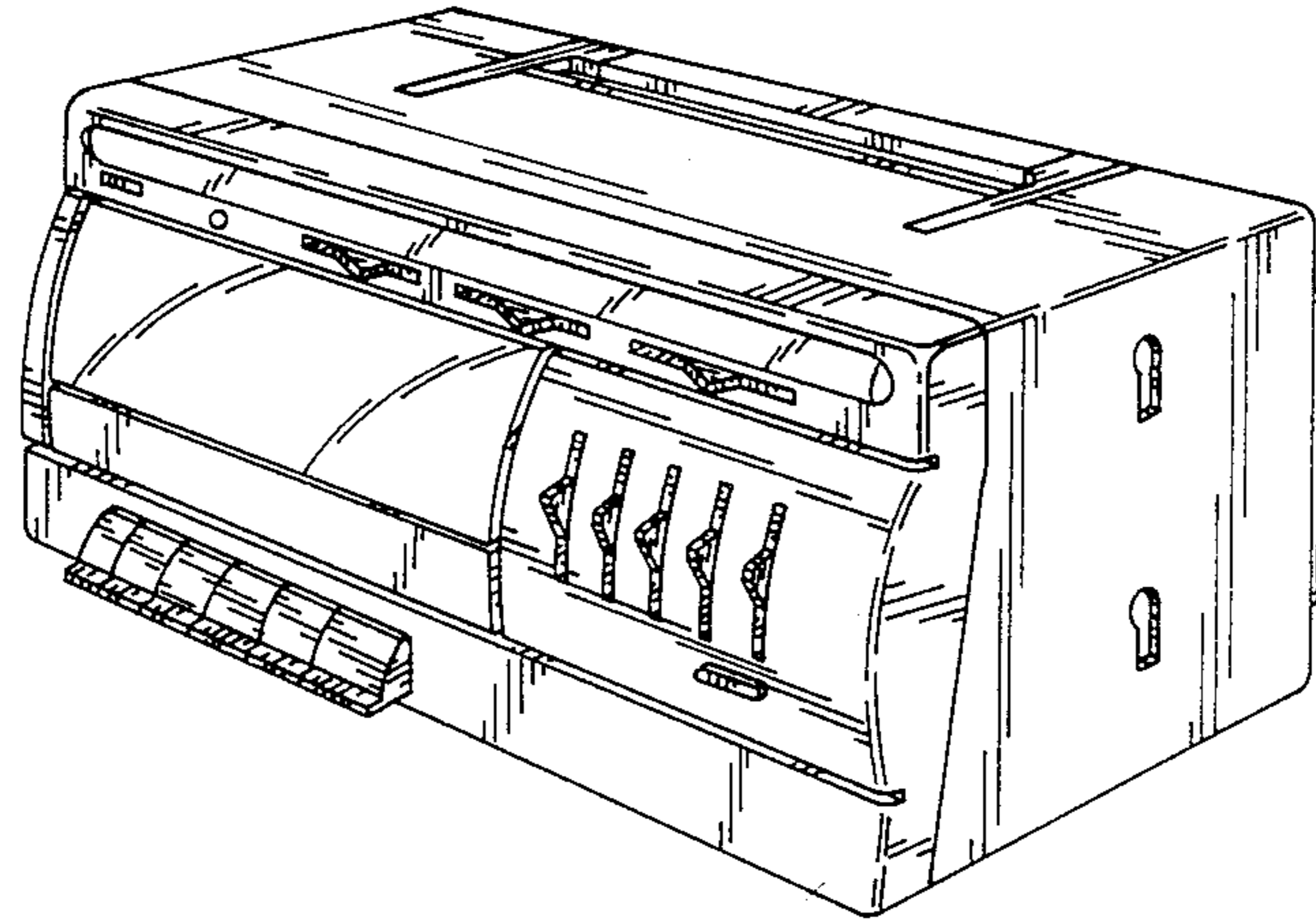
FIG. 3 is a front elevational view thereof;

FIG. 4 is a rear elevational view thereof;

FIG. 5 is a bottom plan view thereof;

FIG. 6 is a rightside elevational view thereof;

FIG. 7 is a leftside elevational view thereof.



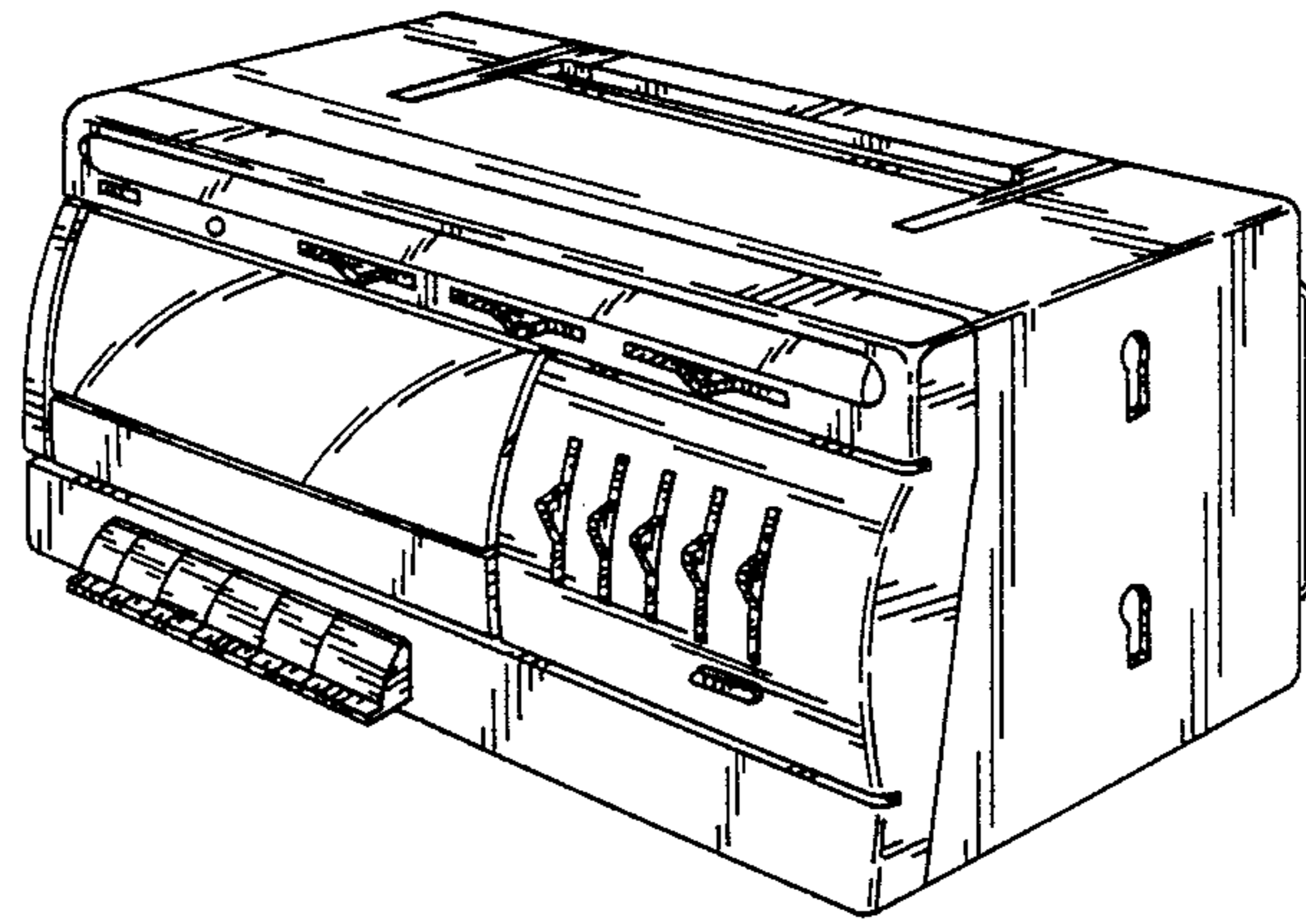


FIG. 1

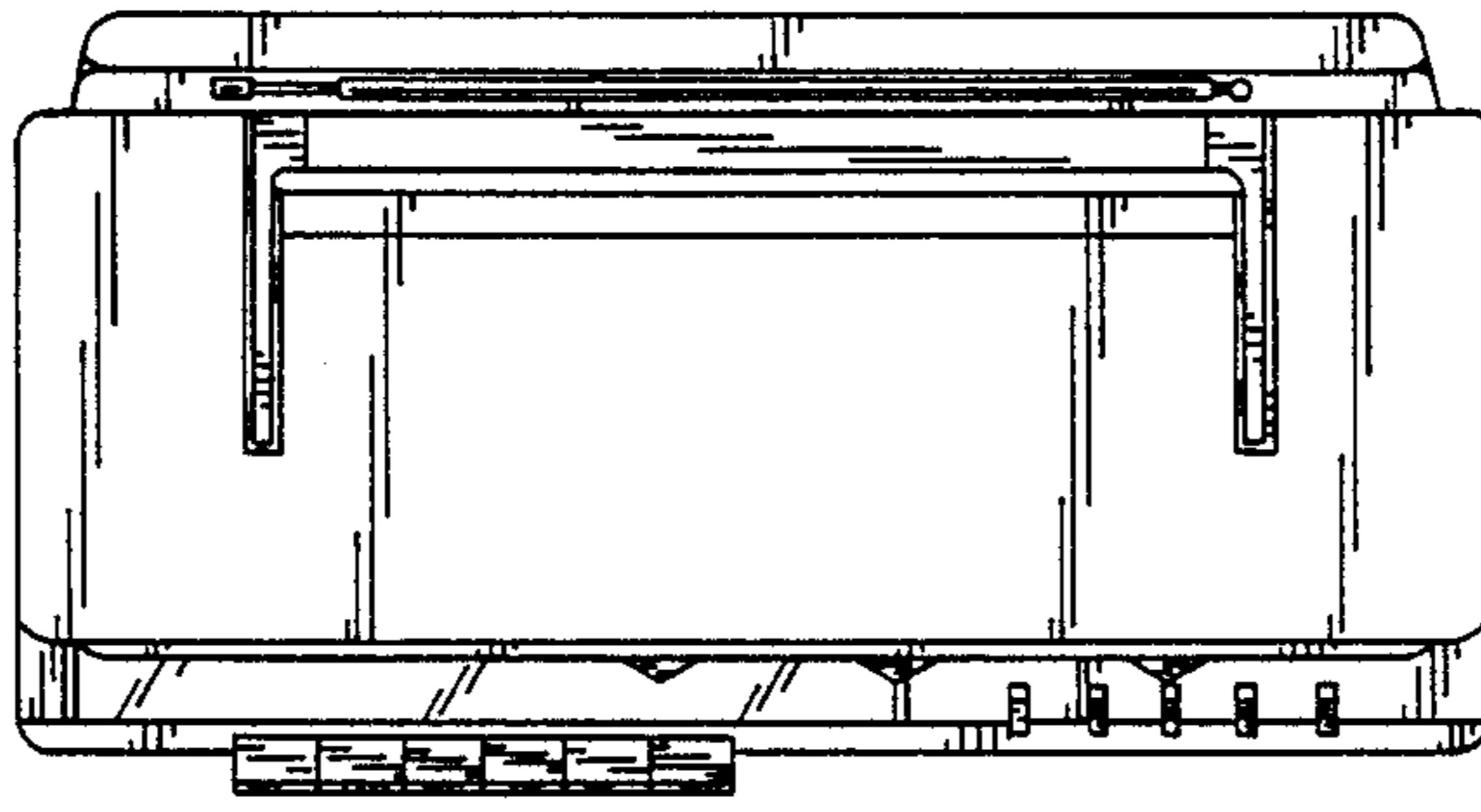


FIG. 2

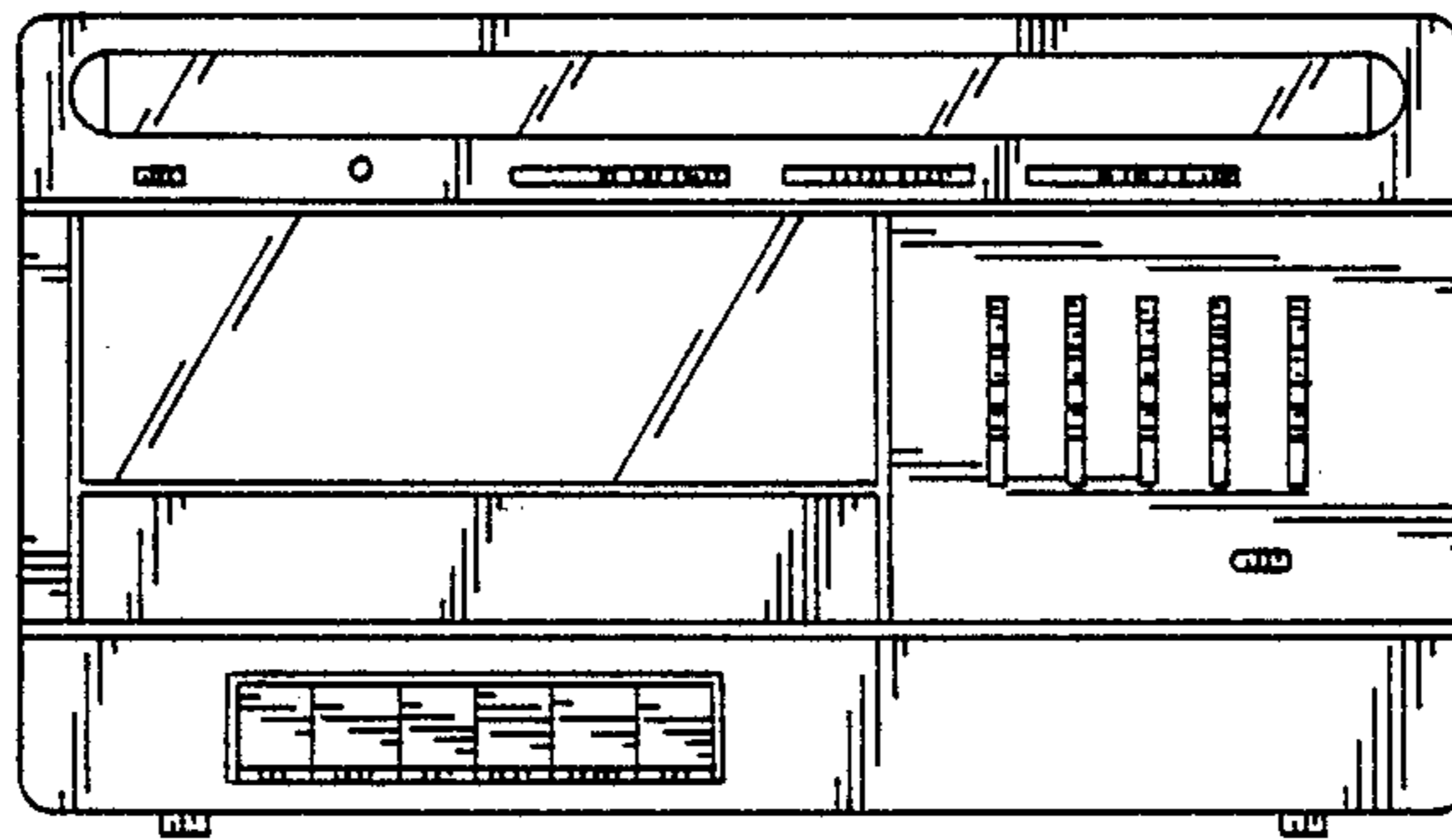


FIG. 3

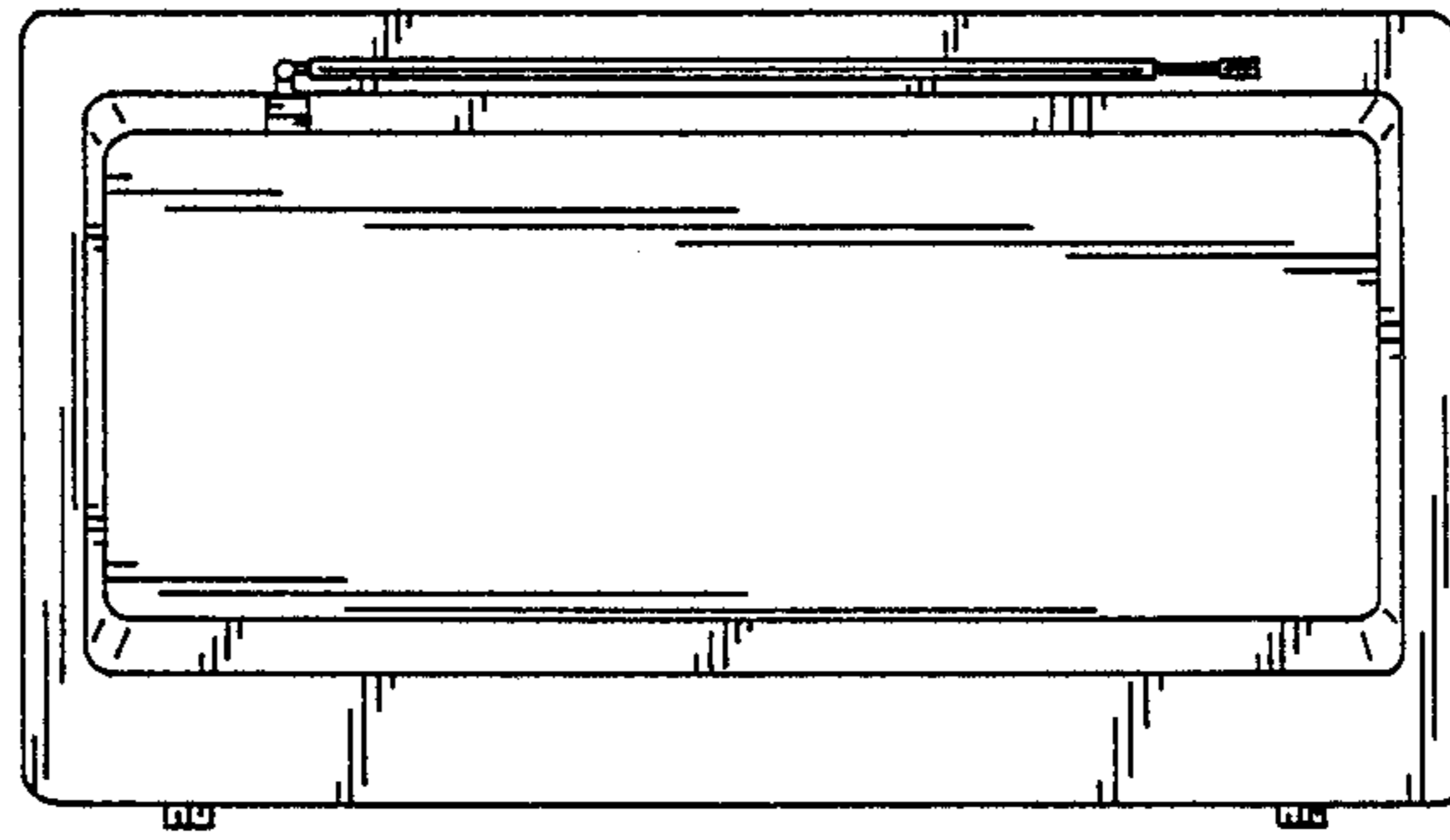


FIG. 4

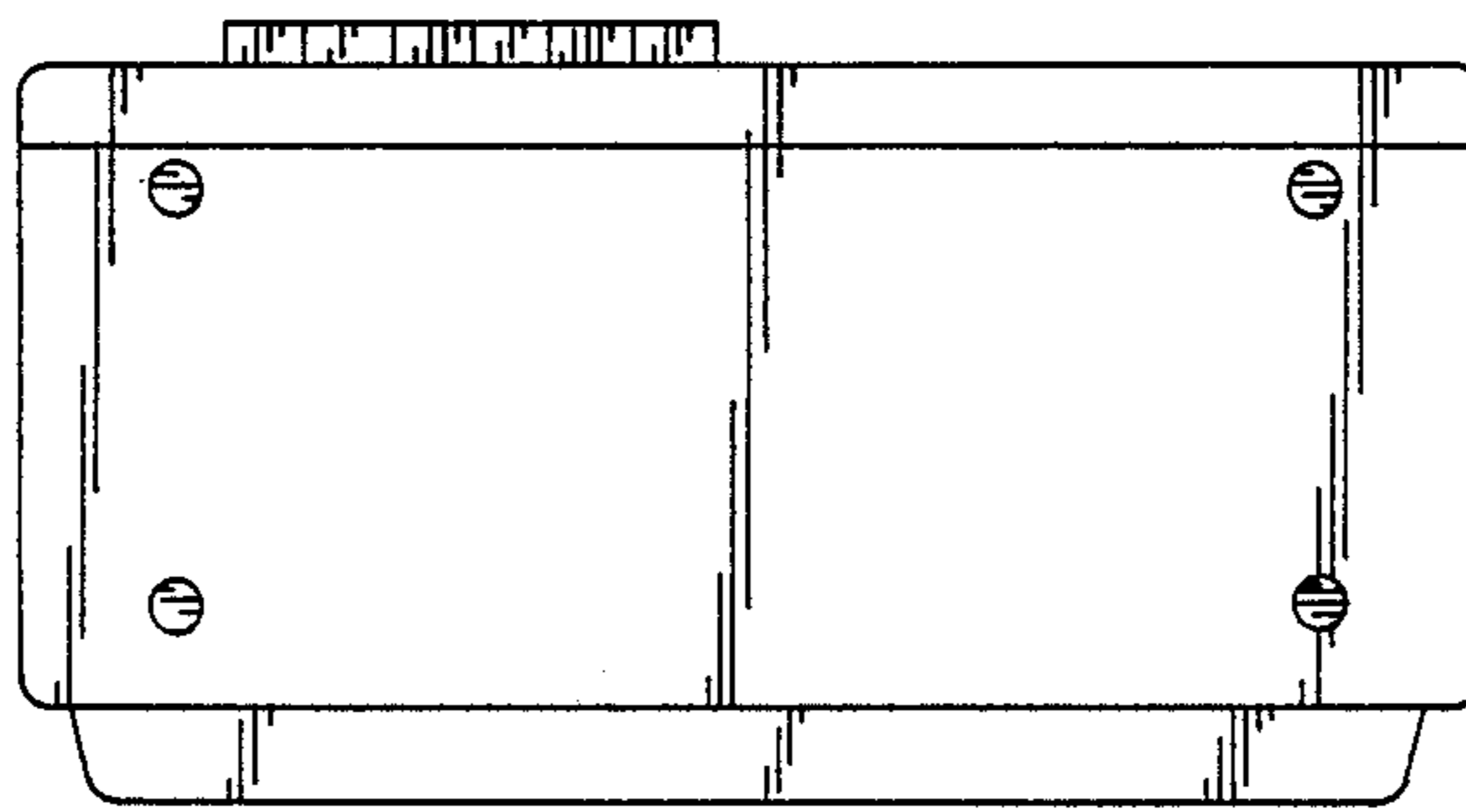


FIG. 5

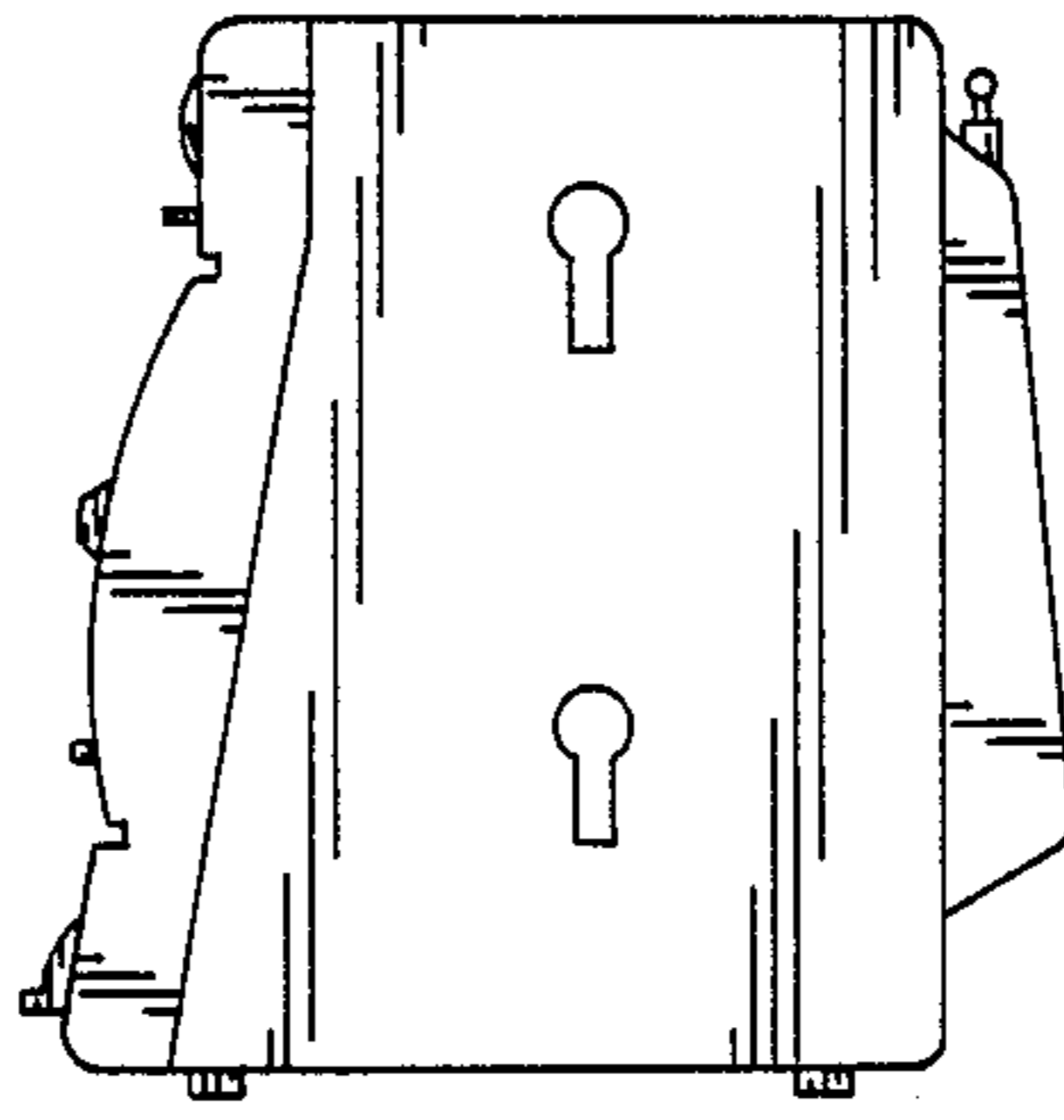


FIG. 6

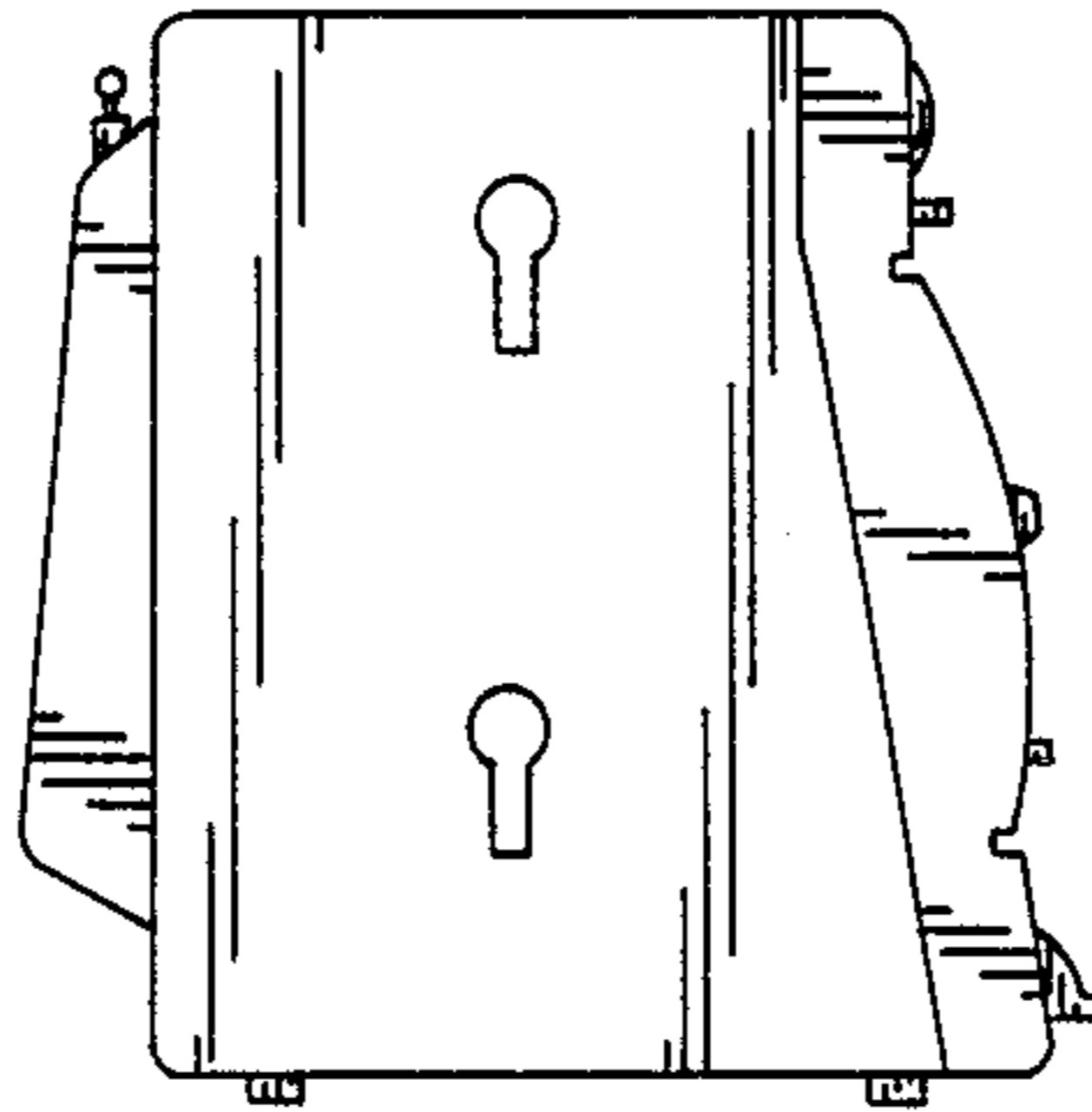


FIG. 7