

- [54] CARTRIDGE FOR GAME MACHINE
- [75] Inventor: Masayuki Yukawa, Kyoto, Japan
- [73] Assignee: Nintendo Company Limited, Kyoto
- [*] Notice: The portion of the term of this patent subsequent to Feb. 2, 2002 has been disclaimed.
- [**] Term: 14 Years
- [21] Appl. No.: 43,686
- [22] Filed: Apr. 17, 1987
- [52] U.S. Cl. D14/121; D14/114
- [58] Field of Search D14/120, 121, 122, 115; 242/71.8, 197, 198, 199

- D. 271,777 12/1983 Schlagheck et al. .
- D. 272,342 1/1984 Cheng D14/121
- D. 274,731 7/1984 Girardi et al. .
- D. 275,095 8/1984 Fang .
- D. 280,322 8/1985 Valinsky .
- D. 294,020 2/1988 Yukawa D14/114
- D. 294,905 7/1984 Rainey et al. D14/121

Primary Examiner—Theodore M. Shooman
Attorney, Agent, or Firm—Nixon & Vanderhye

[57] CLAIM

The ornamental design for a cartridge for game machine, as shown and described.

DESCRIPTION

FIG. 1 is a top, front and right side perspective view of a cartridge for game machine showing my new design; FIG. 2 is a bottom, rear and right side perspective view thereof; FIG. 3 is a rear elevational view thereof; FIG. 4 is a top plan view thereof; FIG. 5 is a front elevational view thereof; FIG. 6 is a right side elevational view thereof, the left side being a mirror image; FIG. 7 is a bottom plan view thereof; FIG. 8 is a sectional view thereof, taken along line 8—8 of FIG. 4.

- [56] **References Cited**
- U.S. PATENT DOCUMENTS**
- D. 248,470 7/1978 Talesfore D14/121
- D. 257,345 10/1980 Levy .
- D. 260,881 9/1981 McKinsey et al. .
- D. 261,644 11/1981 McKinsey et al. .
- D. 263,222 3/1982 Driscoll .
- D. 267,714 1/1983 Tajima et al. D14/121
- D. 269,087 5/1983 Nishi D14/121
- D. 271,688 12/1983 Tajima et al. D14/121

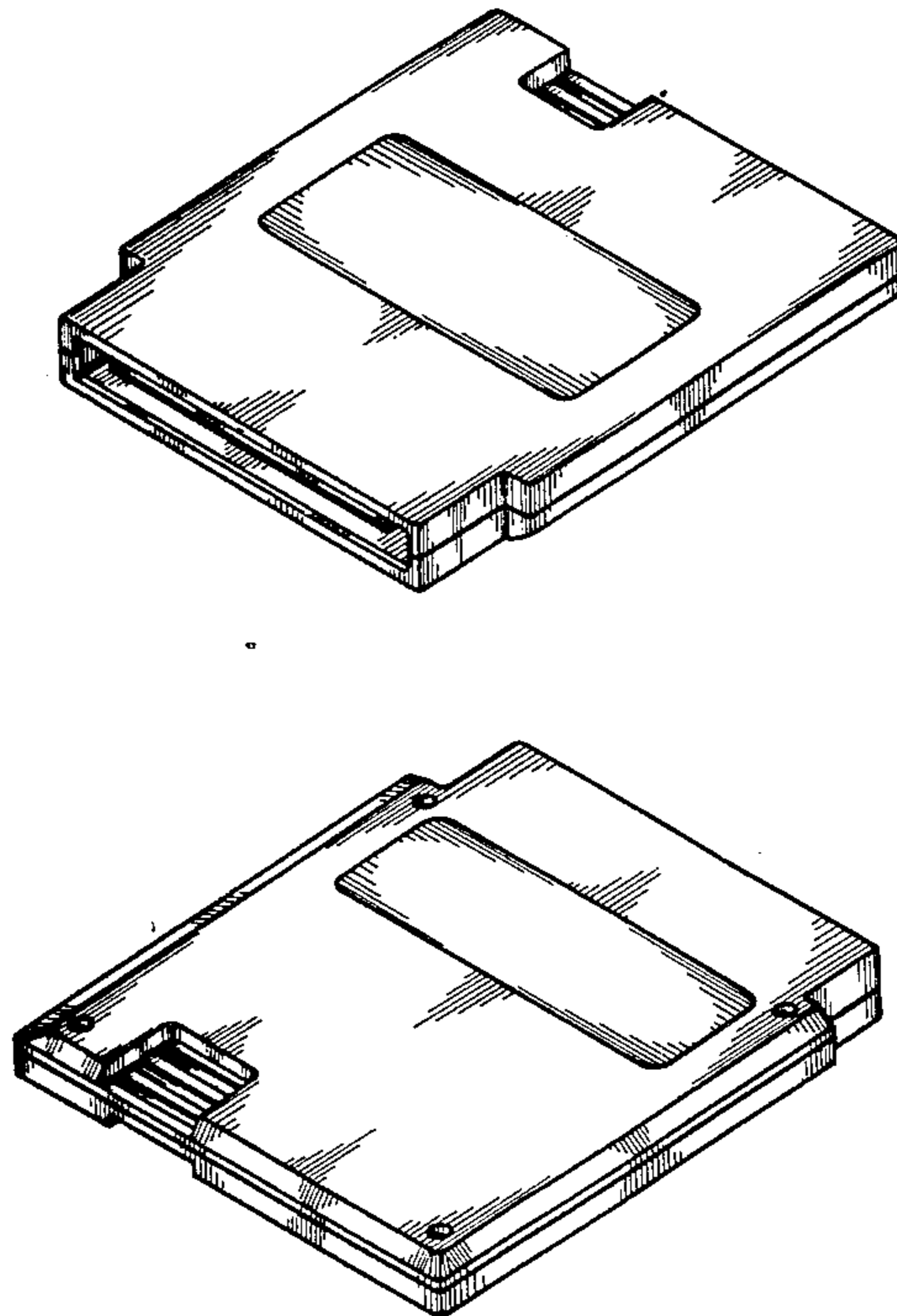


FIG. 1

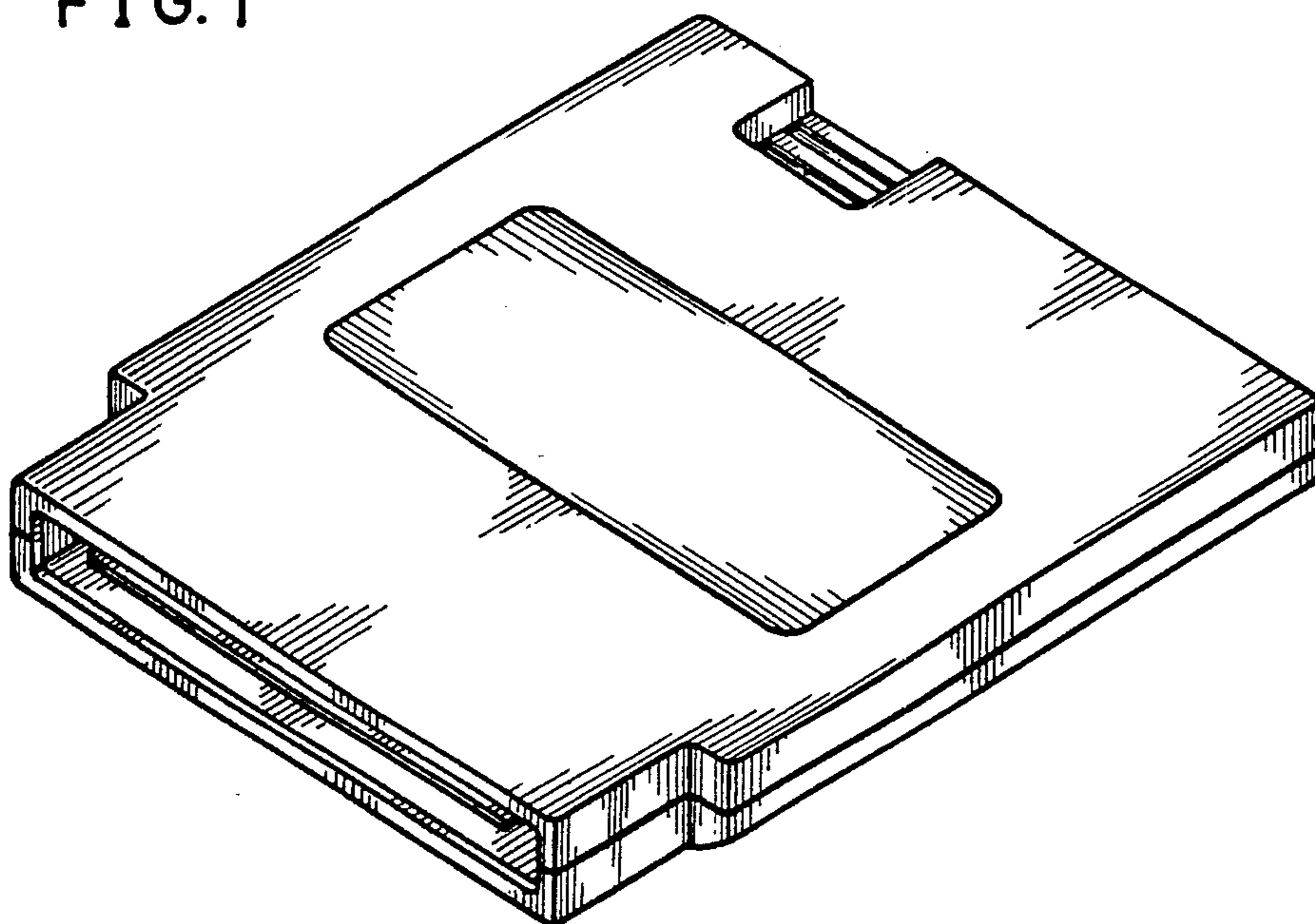


FIG. 2

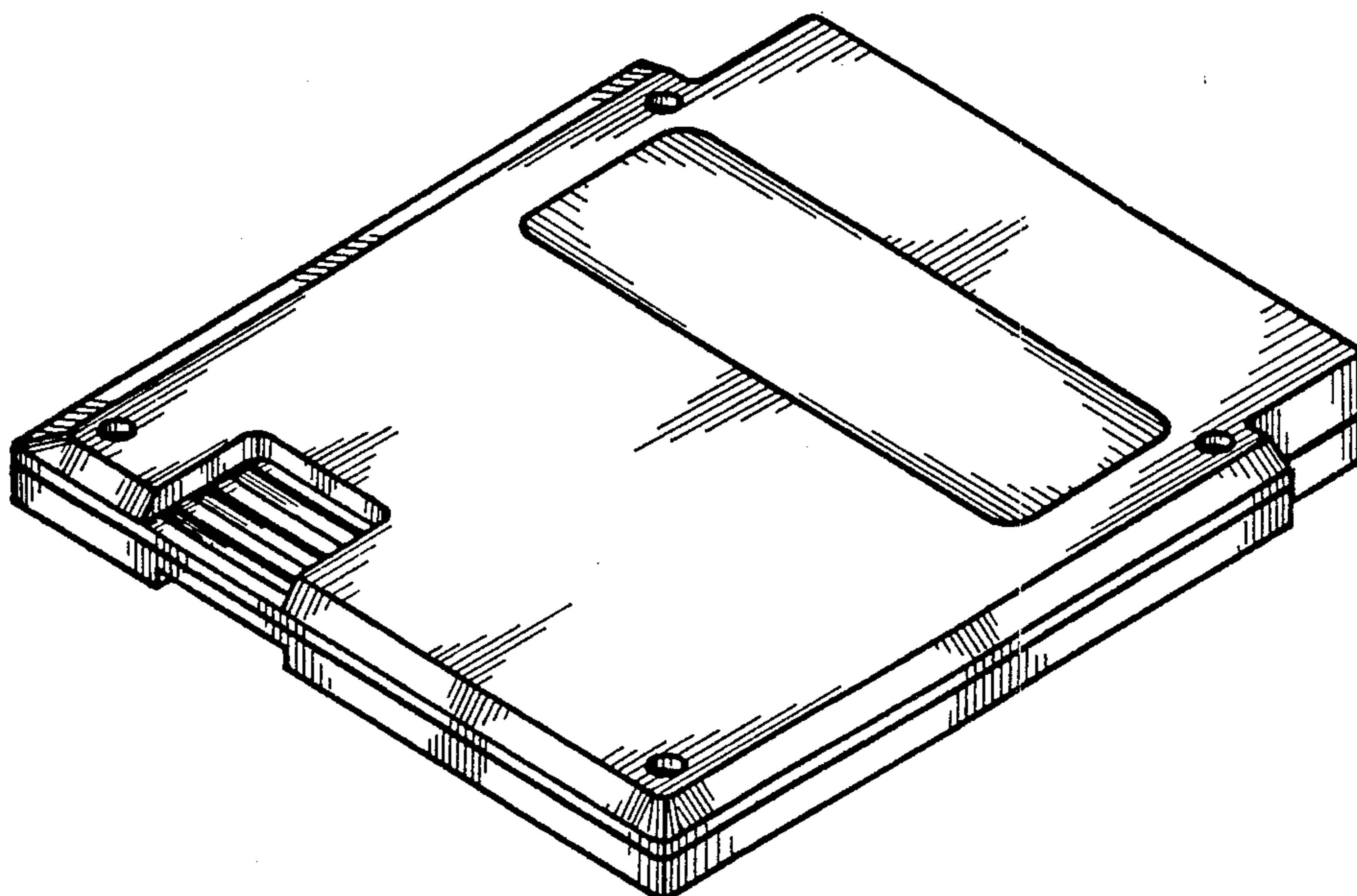


FIG. 3

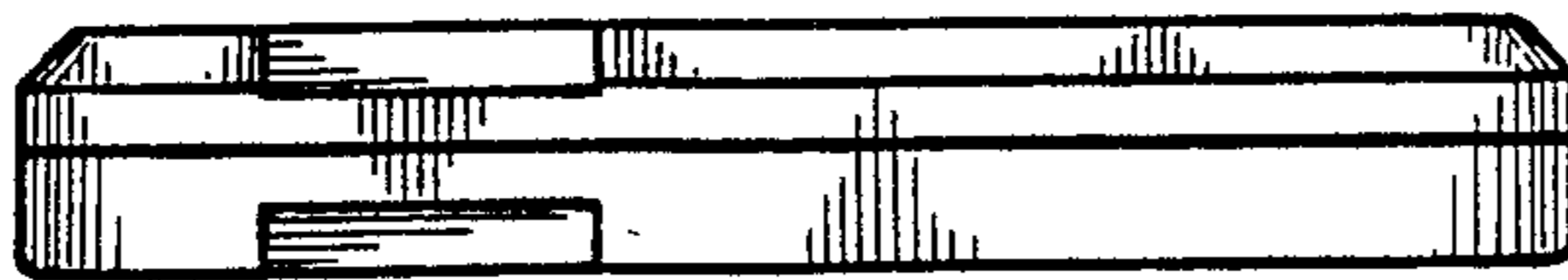


FIG. 4

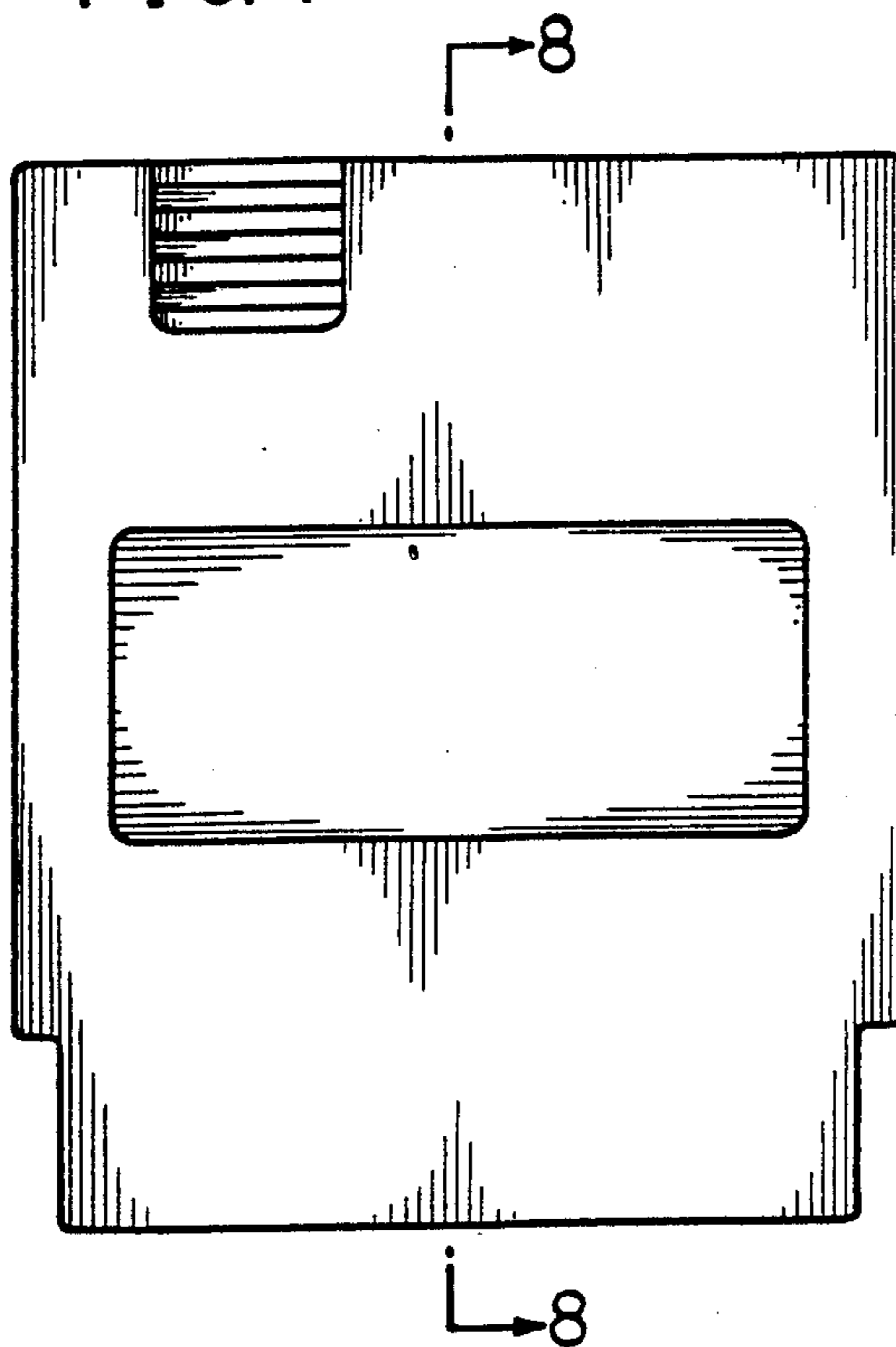


FIG. 6



FIG. 5

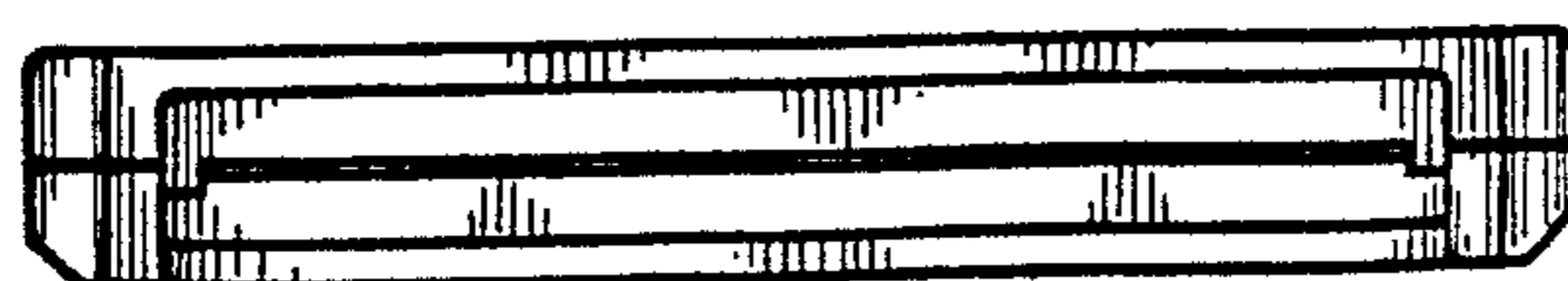


FIG. 7

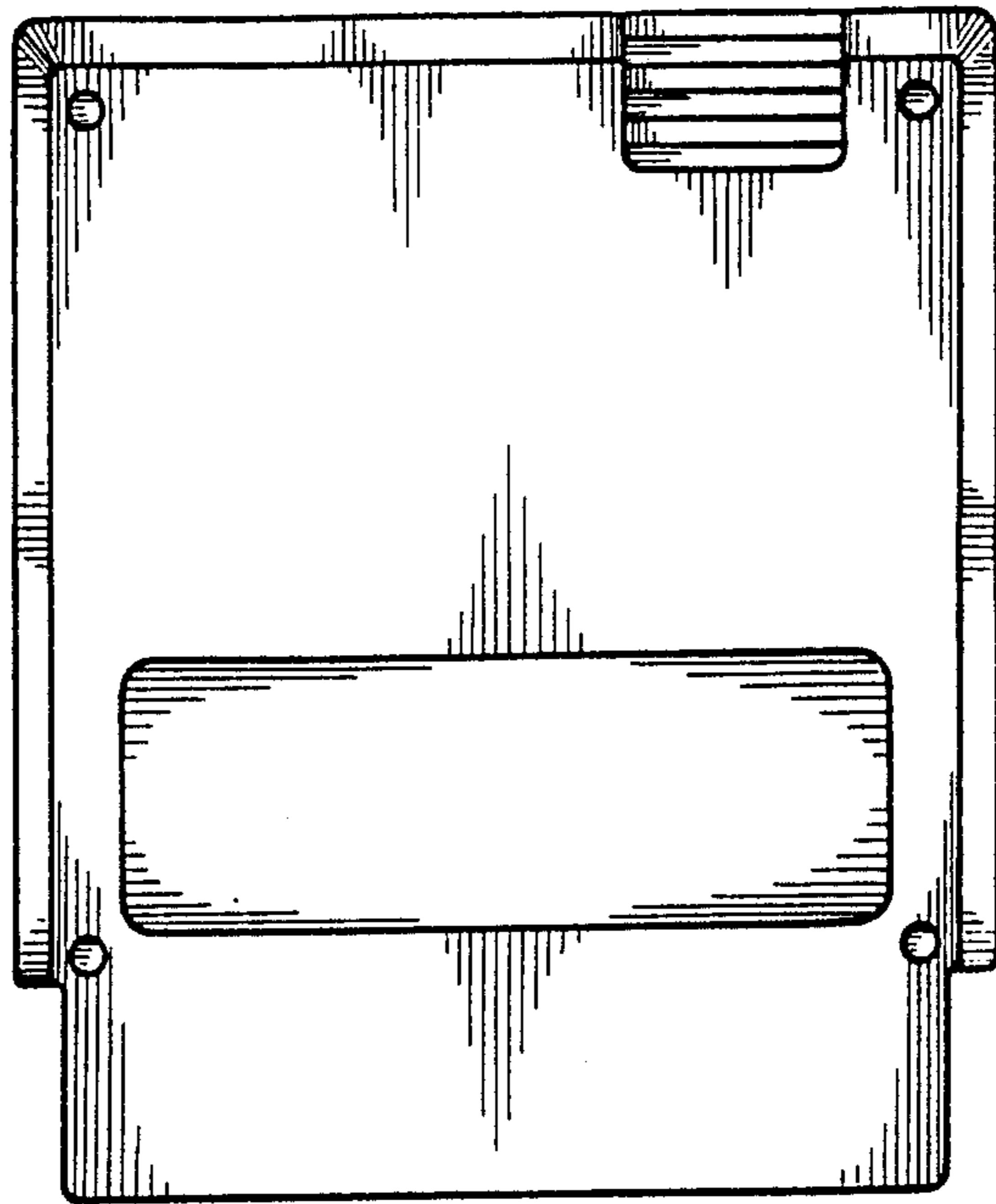


FIG. 8

