

[54] **LAPTOP PERSONAL COMPUTER OR SIMILAR ARTICLE**

[75] **Inventor: Pak-Lee Lam, Taipei, Taiwan**

[73] **Assignee: Quanta Computer Inc., Taipei, Taiwan**

[**] **Term: 14 Years**

[21] **Appl. No.: 351,562**

[22] **Filed: May 12, 1989**

[52] **U.S. Cl. D14/106**

[58] **Field of Search D14/100, 106, 107, 105, D14/113, 115; D18/1, 7, 11, 12; 235/145 A, 145 R; 340/700, 706, 711, 712; 341/22, 23; 358/249, 254; 364/706-710**

[56] **References Cited**

U.S. PATENT DOCUMENTS

- D. 284,474 7/1986 Sawada D14/100
- D. 294,831 3/1988 Hara et al. D14/106
- D. 295,176 4/1988 Nishimoto et al. D14/106
- D. 303,523 9/1989 Shiozawa et al. D14/106

FOREIGN PATENT DOCUMENTS

684172 8/1986 Japan D14 5/106

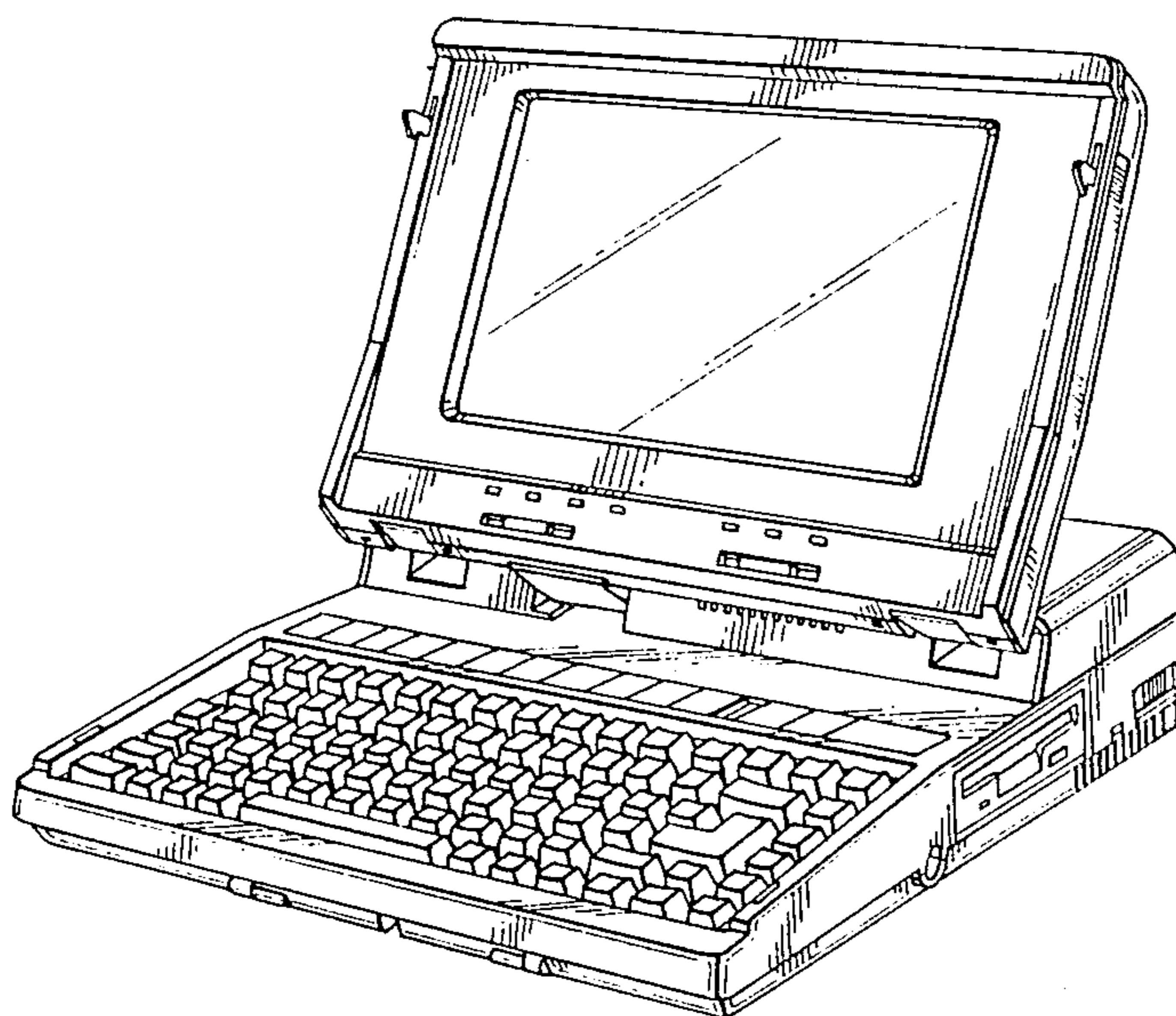
Primary Examiner—Wallace R. Burke
Assistant Examiner—Freda S. Nunn
Attorney, Agent, or Firm—Ladas & Parry

[57] **CLAIM**

The ornamental design for a laptop personal computer or similar article, as shown and described.

DESCRIPTION

FIG. 1 is a perspective view of a laptop personal computer or similar article showing my new design;
FIG. 2 is a front elevational view thereof on an enlarged scale;
FIG. 3 is a rear elevational view thereof on an enlarged scale;
FIG. 4 is a left side elevational view thereof on an enlarged scale;
FIG. 5 is a right side elevational view thereof on an enlarged scale;
FIG. 6 is a top plan view thereof on an enlarged scale;
FIG. 7 is a bottom plan view thereof on an enlarged scale;
FIG. 8 is a top, right side perspective view thereof with the cover closed.



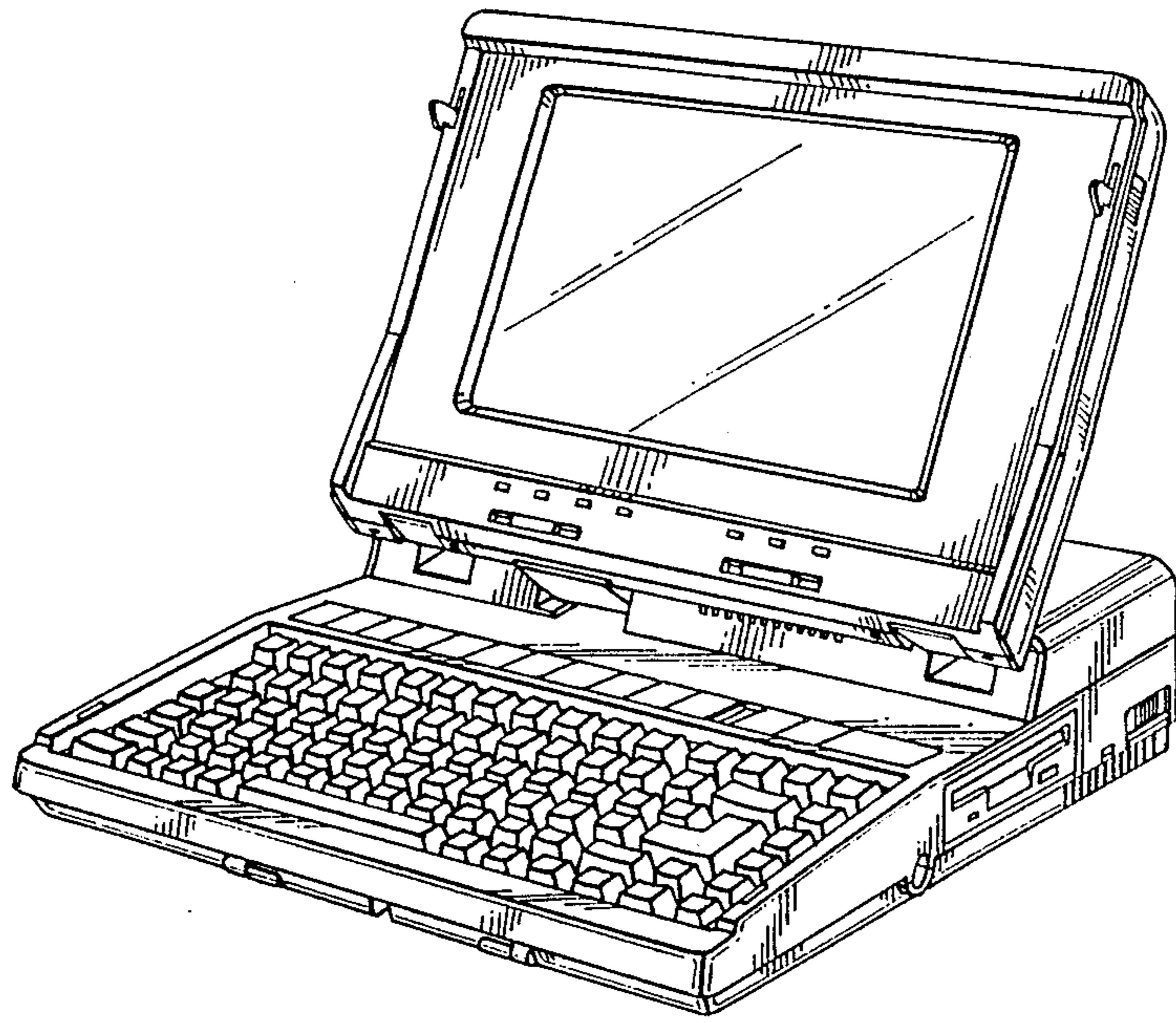


FIG. 1

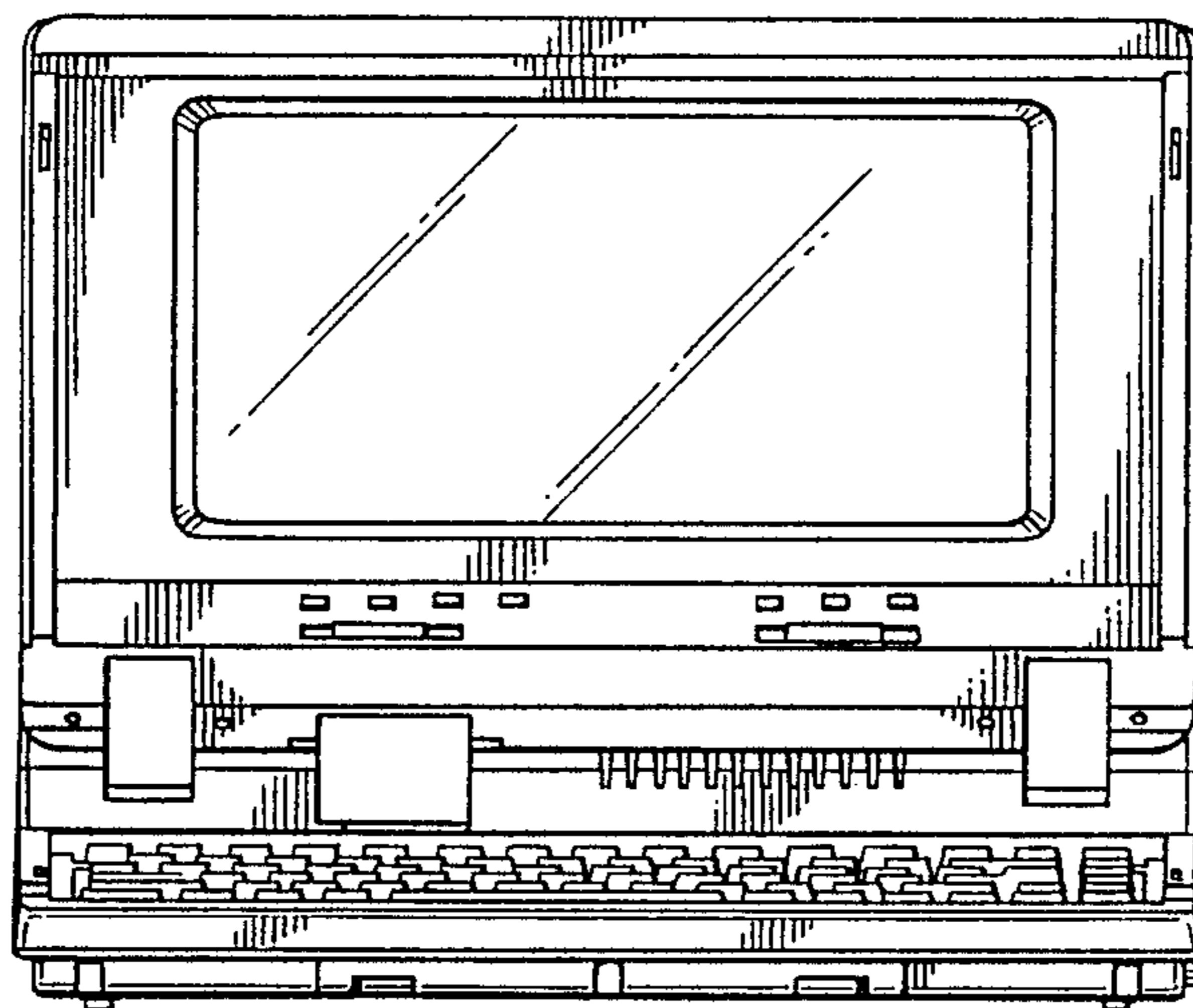


FIG. 2

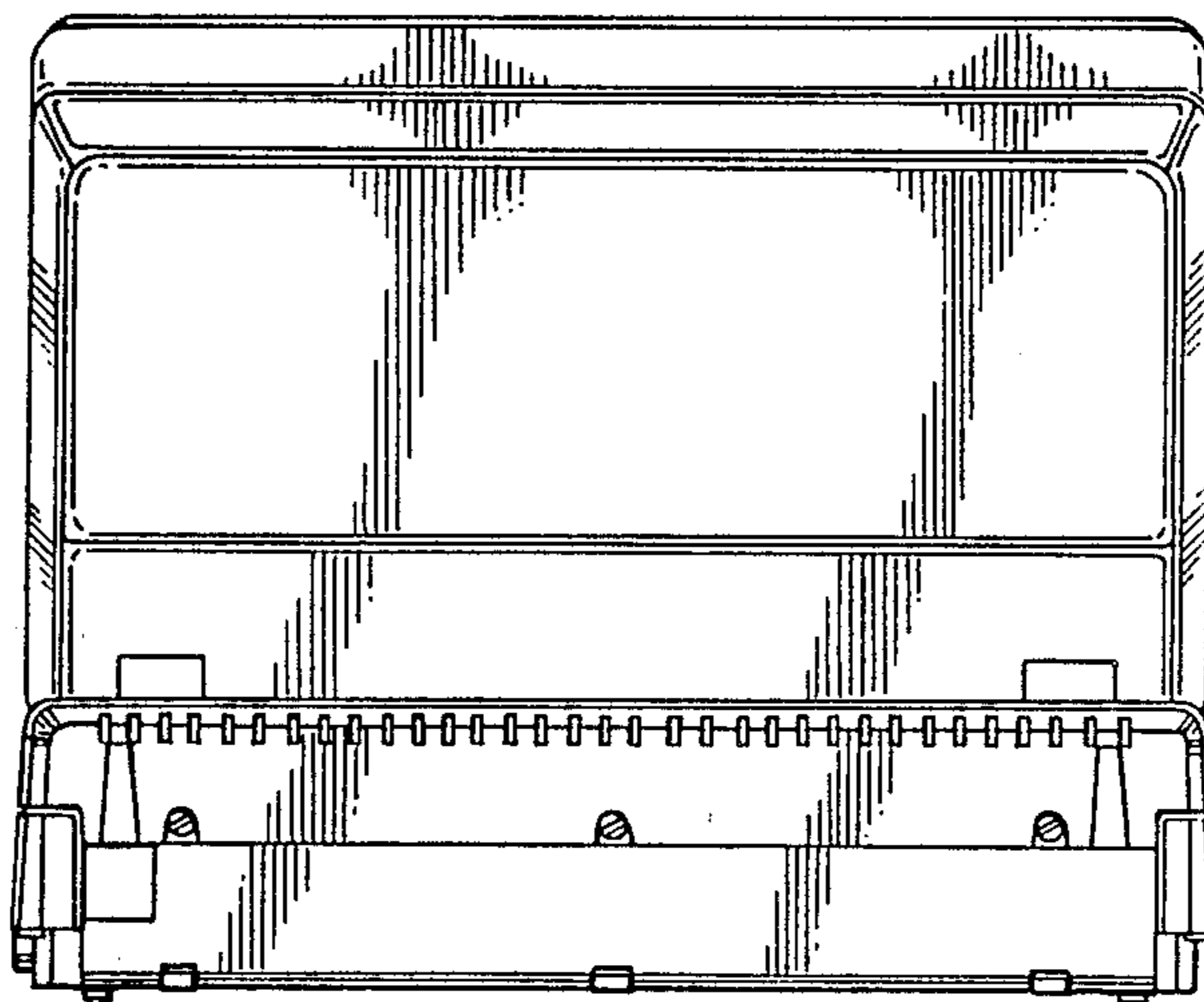


FIG. 3

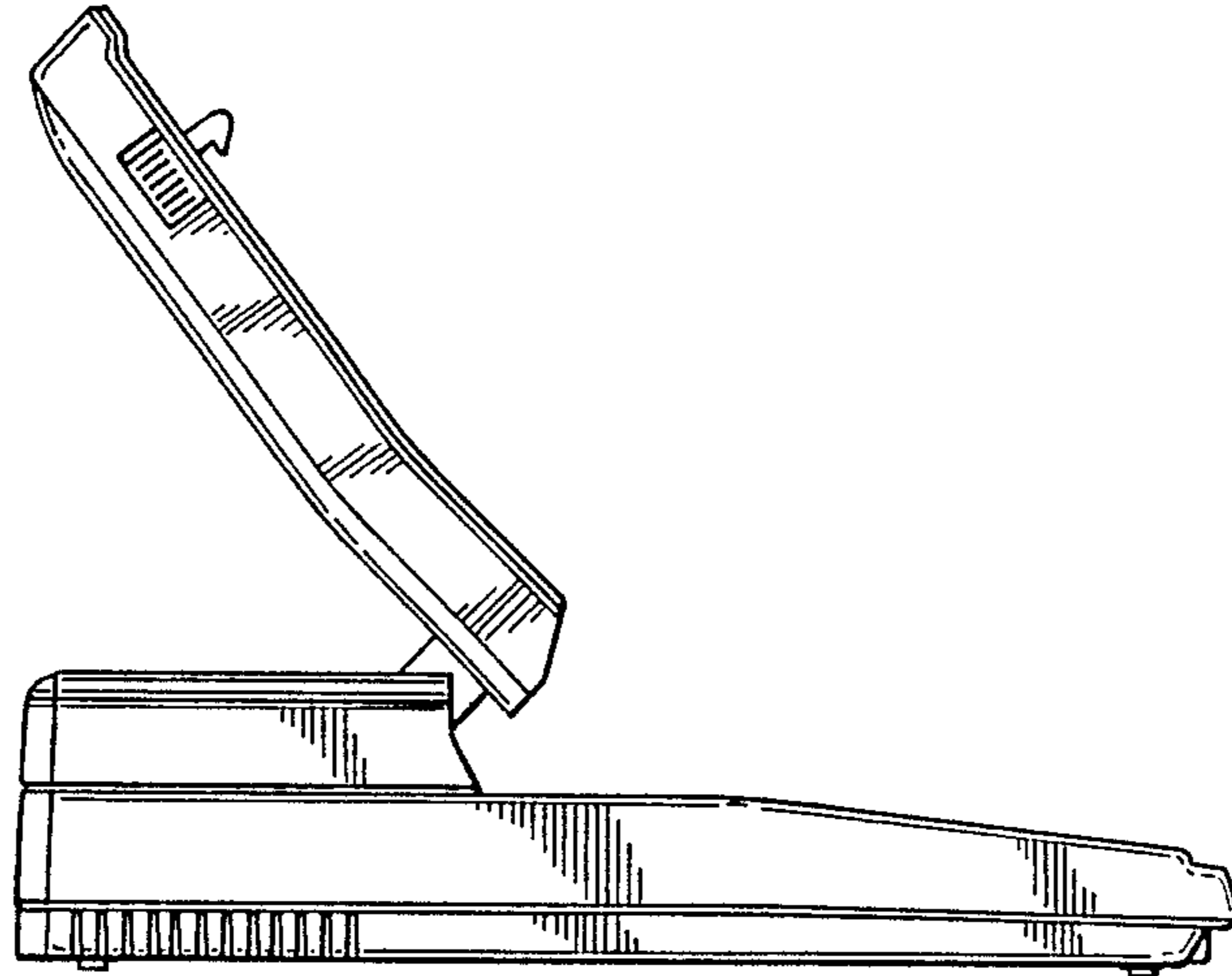


FIG. 4

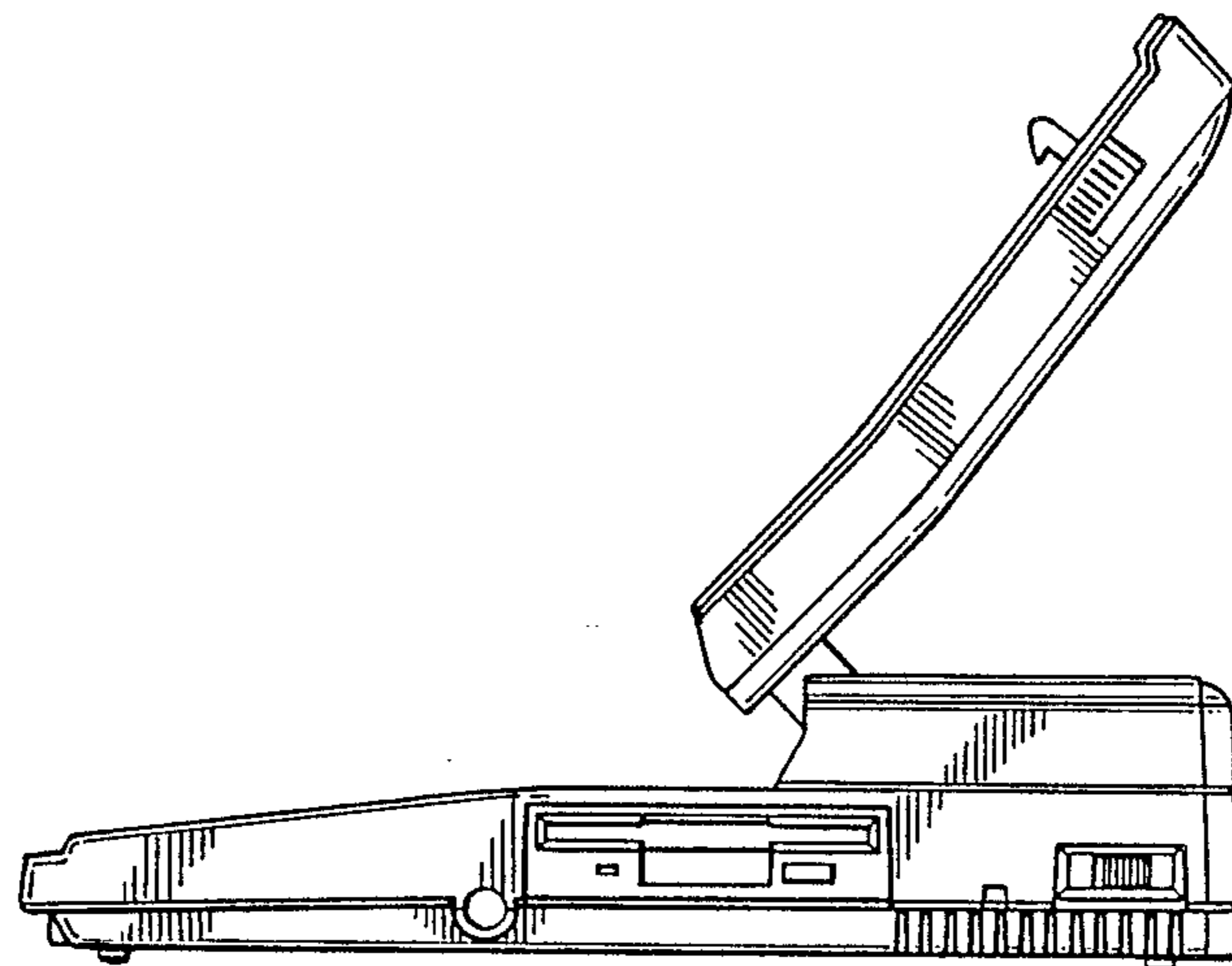


FIG. 5

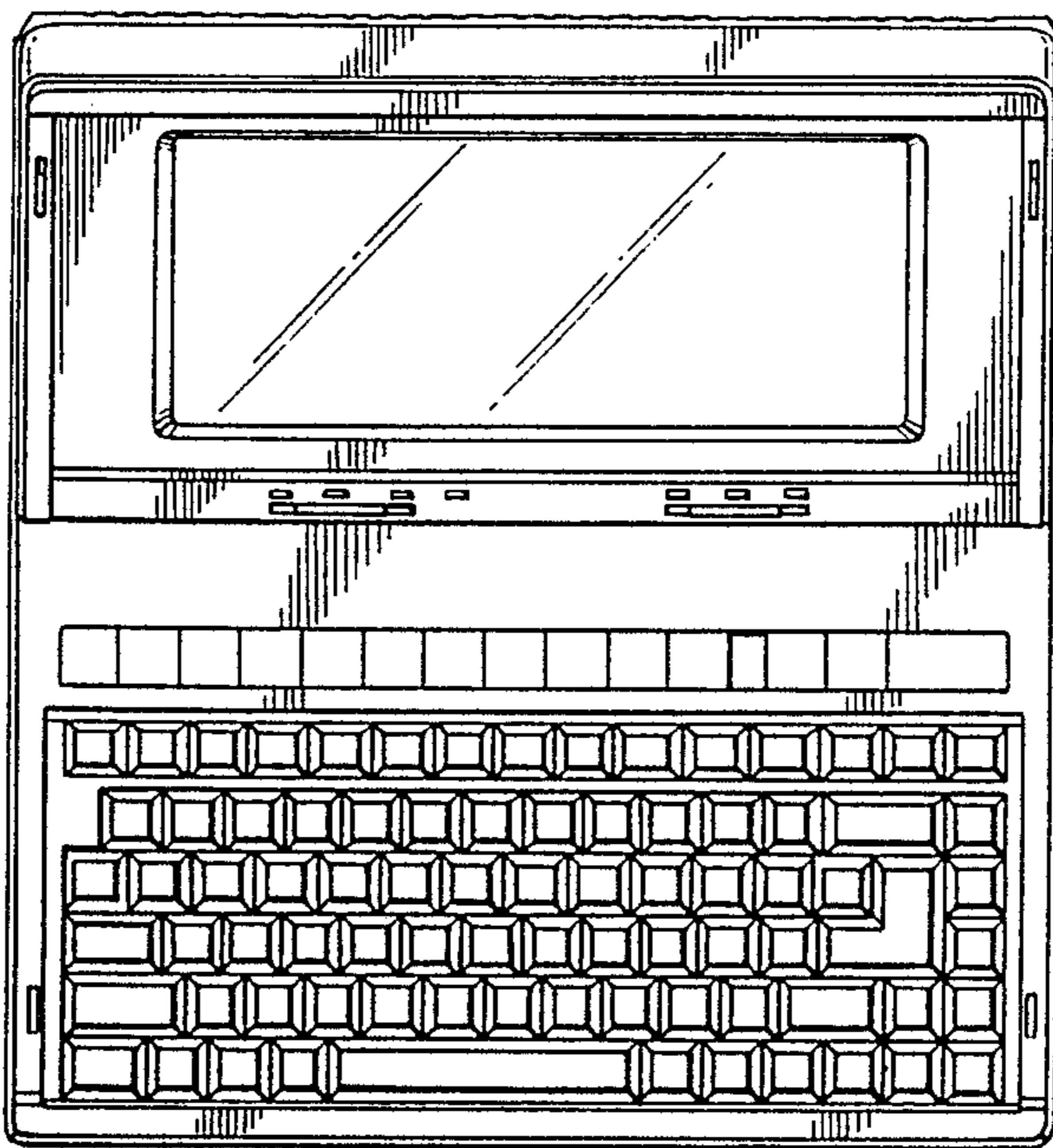


FIG. 6

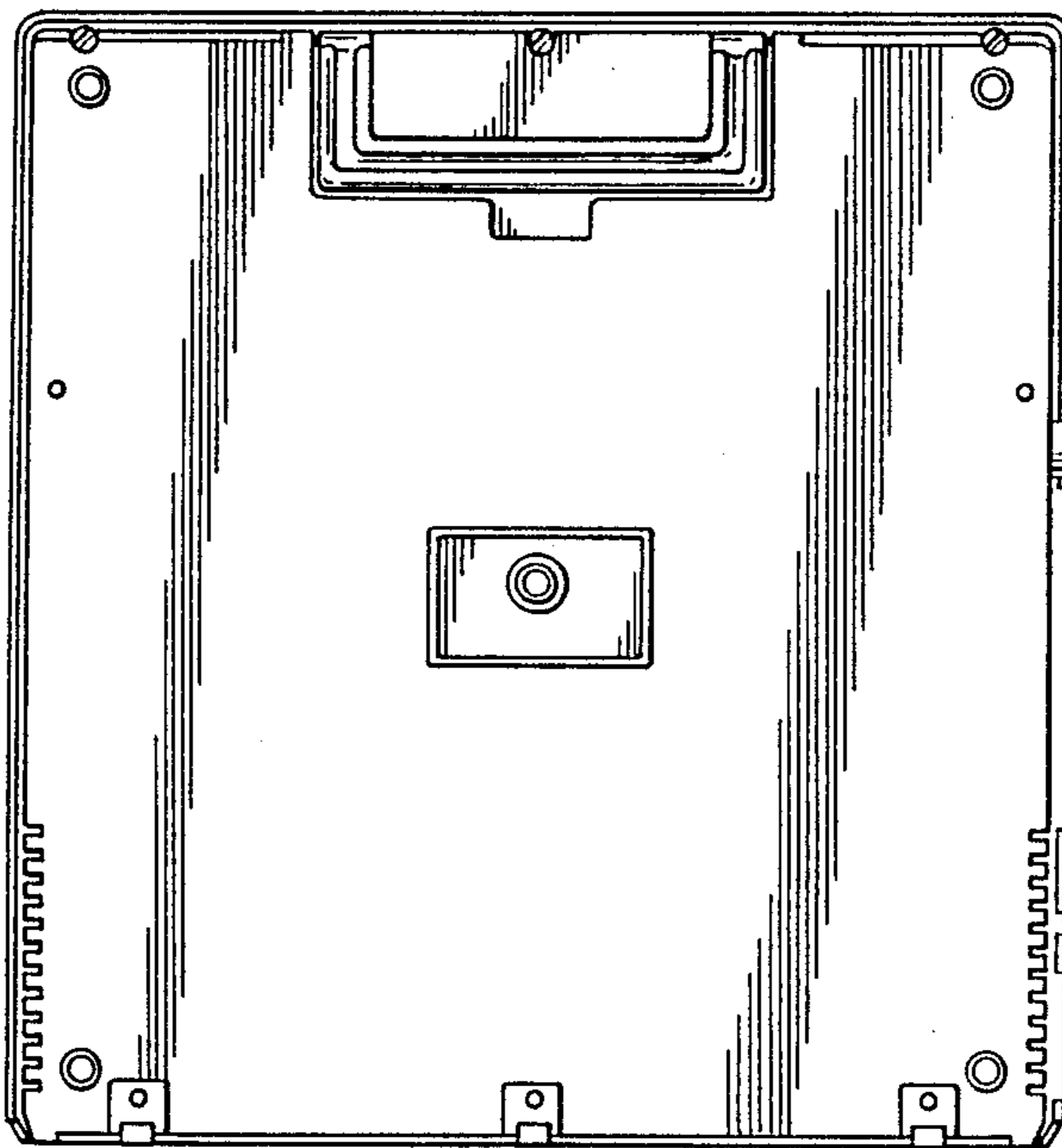


FIG. 7

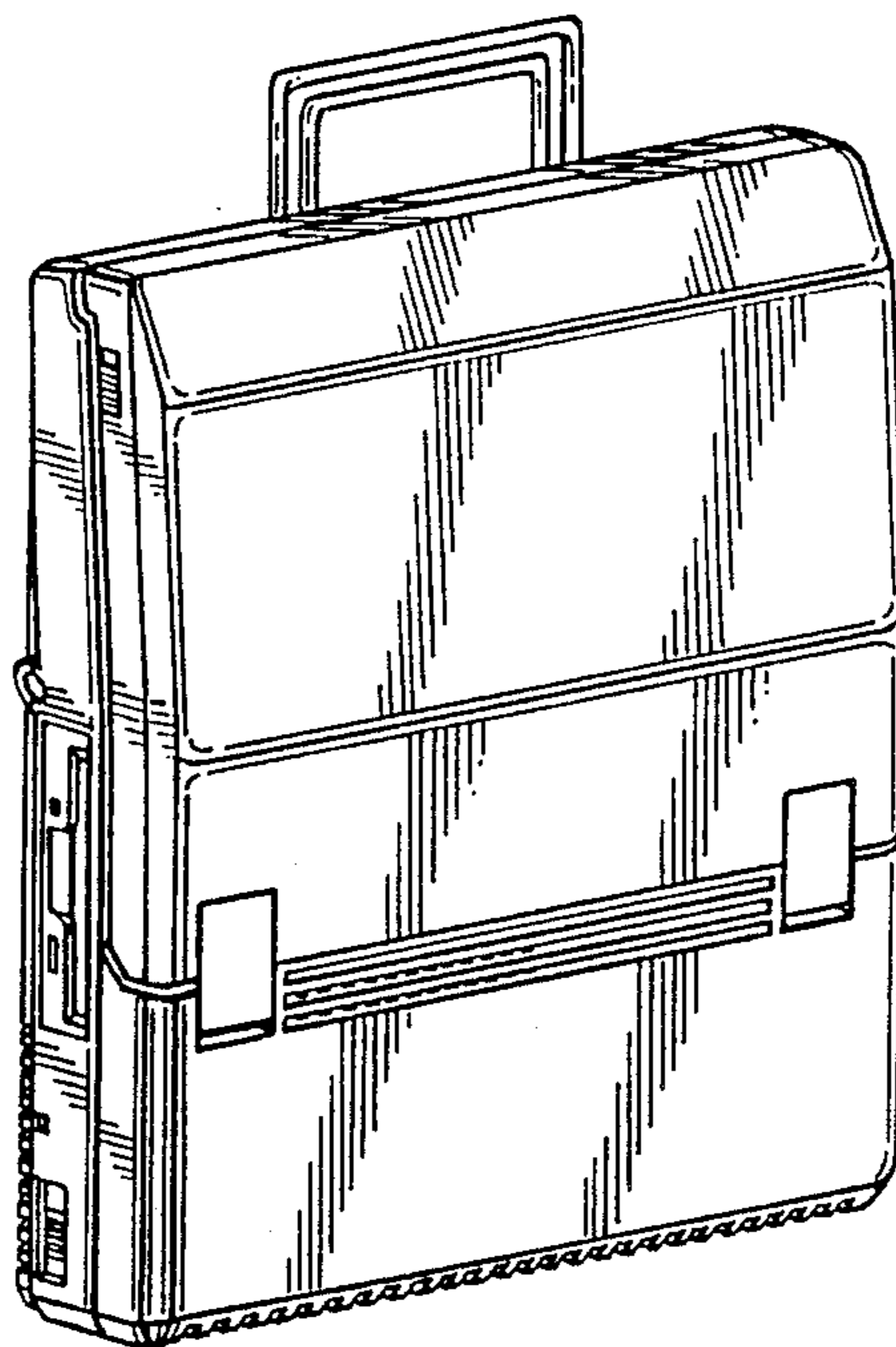


FIG. 8