

[54] MAGNETIC PROCESSOR FOR SHORTING STATIC ELECTRICITY

[76] Inventor: Lloyd D. Mitchell, 1507 N. 78th Pl. #8, Kansas City, Kans. 66109

[**] Term: 14 Years

[21] Appl. No.: 185,811

[22] Filed: Apr. 25, 1988

[52] U.S. Cl. D13/183

[58] Field of Search D13/183, 184, 199, 99; D24/9; D7/78, 16; 361/212, 220, 215

[56] References Cited

U.S. PATENT DOCUMENTS

D. 253,529	11/1979	Yandt	D21/108
4,593,339	6/1986	Robinson	361/220
4,602,310	7/1986	Fenster	361/212

Primary Examiner—Susan J. Lucas
Assistant Examiner—Joel Sincavage
Attorney, Agent, or Firm—L. Arnold Thaxton

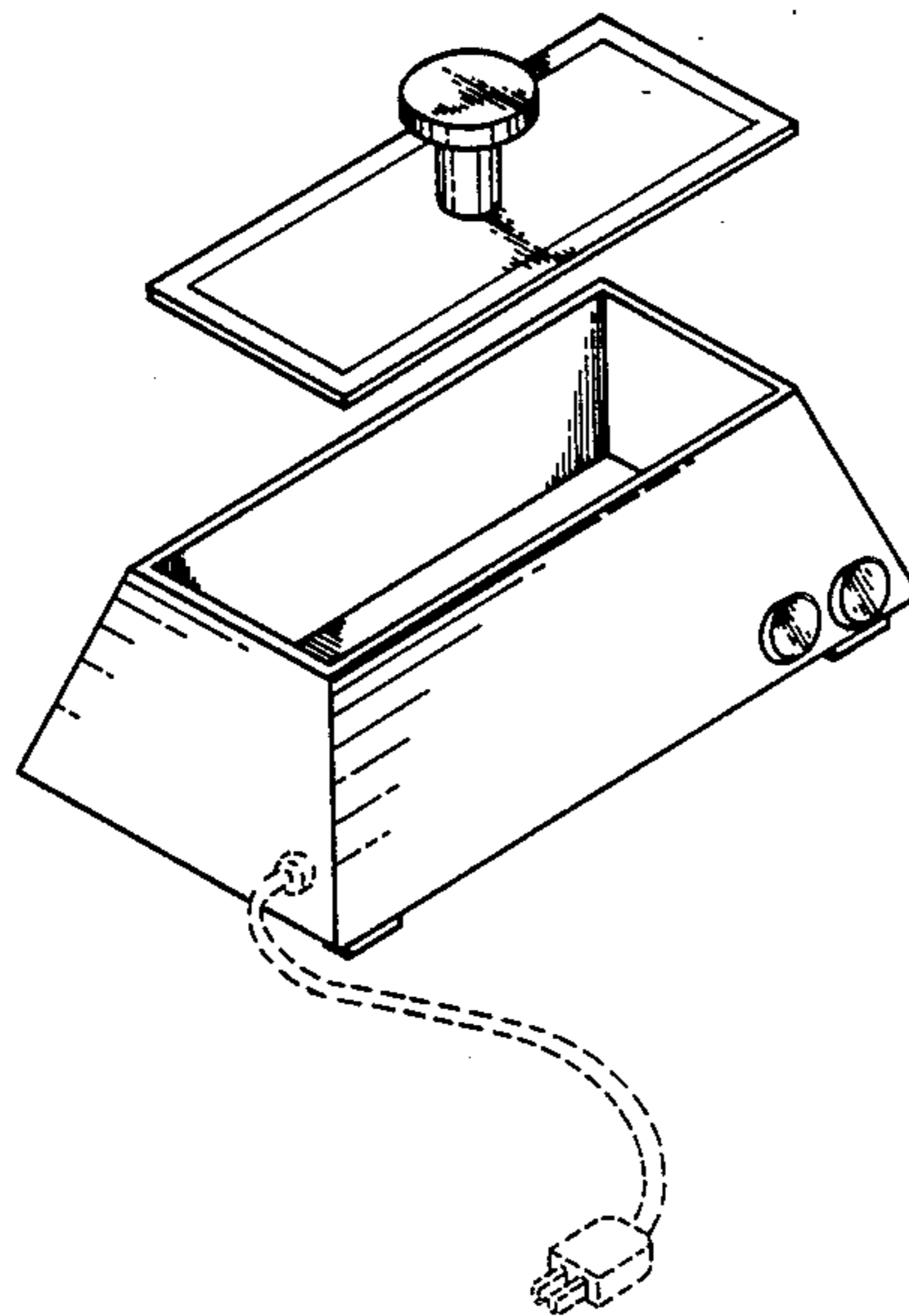
[57] CLAIM

The ornamental design for a magnetic processor for shorting static electricity, as shown and described.

DESCRIPTION

FIG. 1 is a perspective view of the body and detachably corresponding lid of a magnetic processor for shorting static electricity embodying my new design; FIG. 2 is a perspective view of a magnetic processor for shorting static electricity having the lid in place; FIG. 3 is a rear elevational view thereof; FIG. 4 is a side elevational view thereof, the opposite side elevational view being a mirror image; and FIG. 5 is a bottom plan view thereof.

The cord and plug are shown in broken lines for illustrative purposes and form no part of the claimed design.



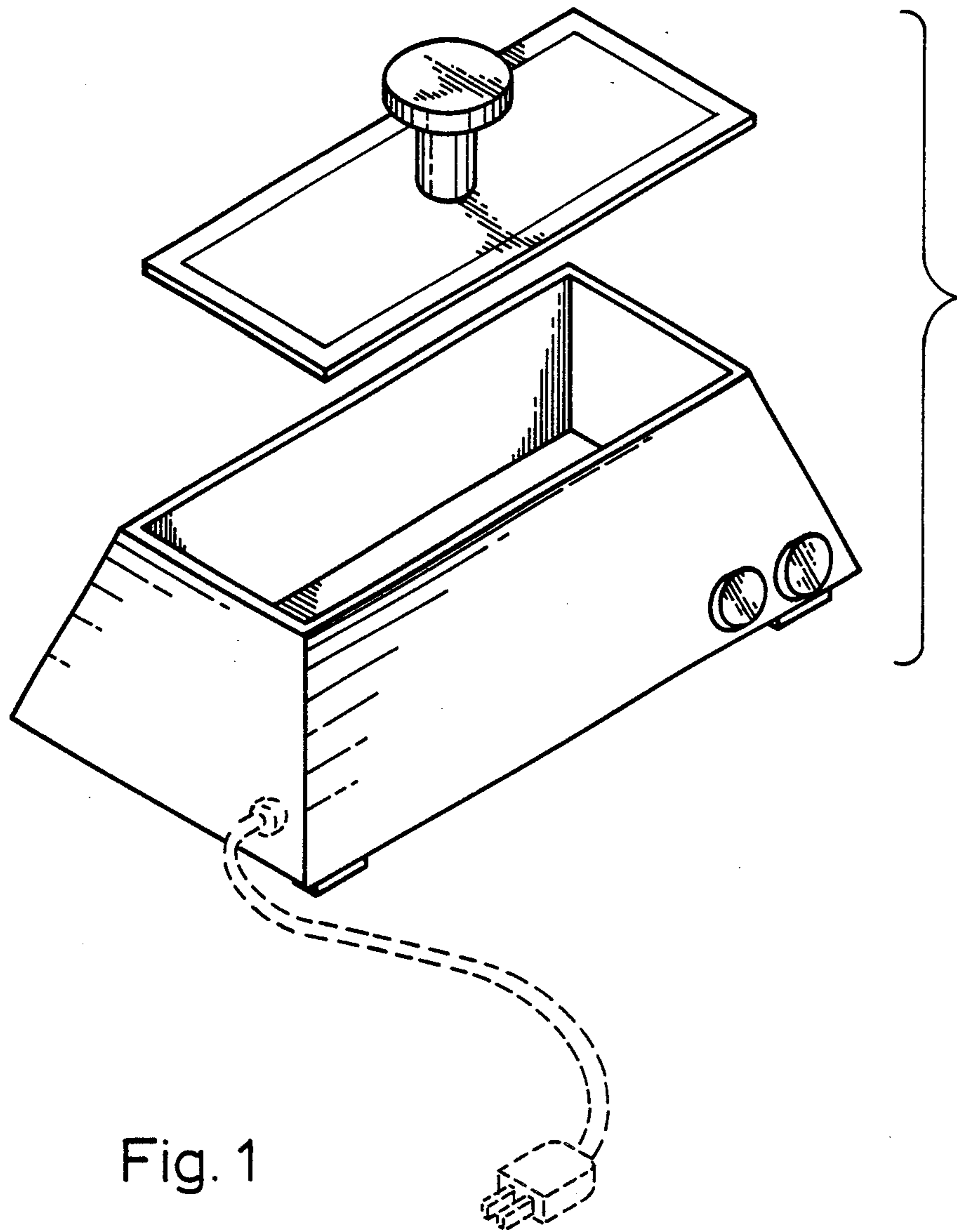


Fig. 1

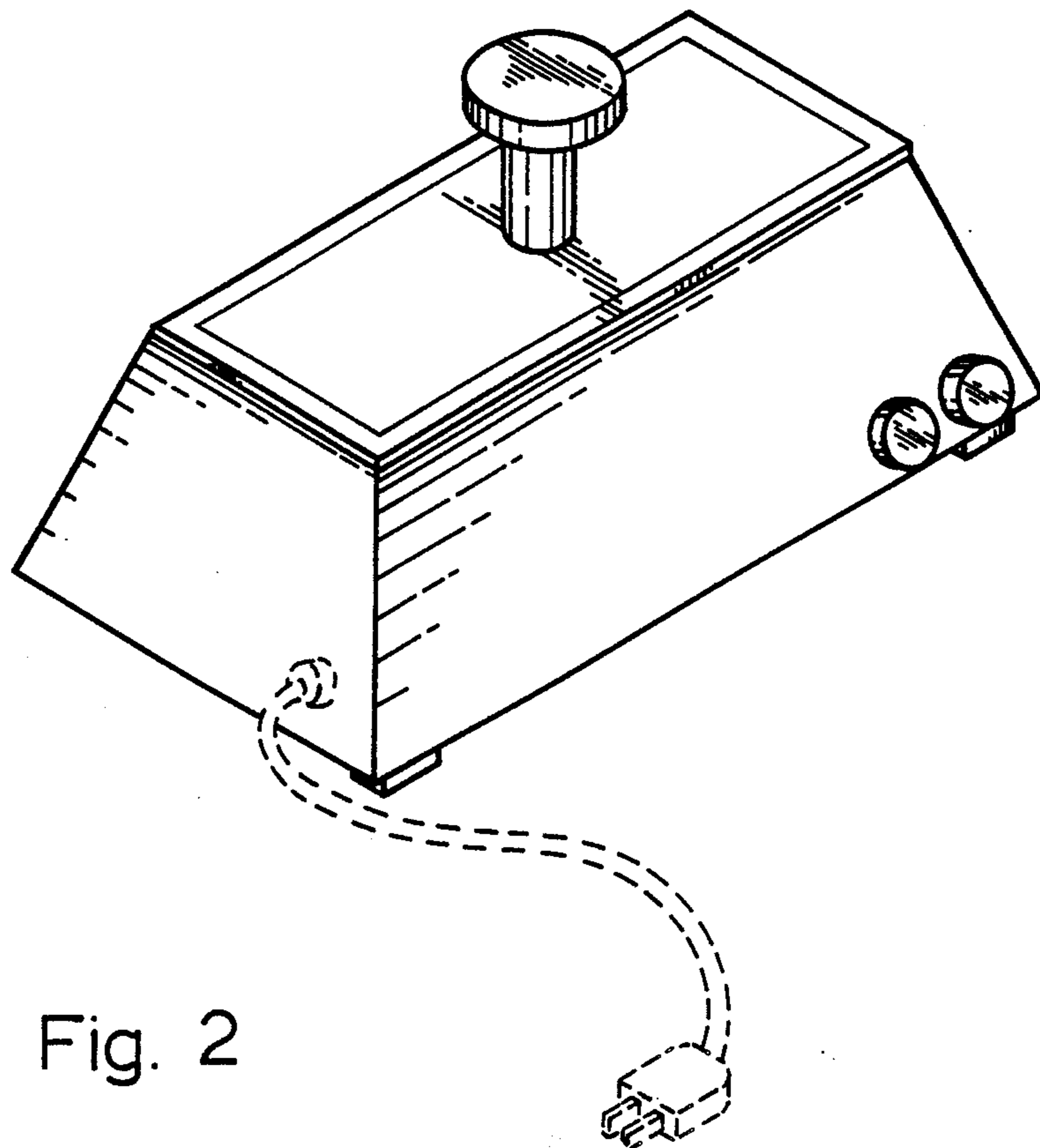


Fig. 2

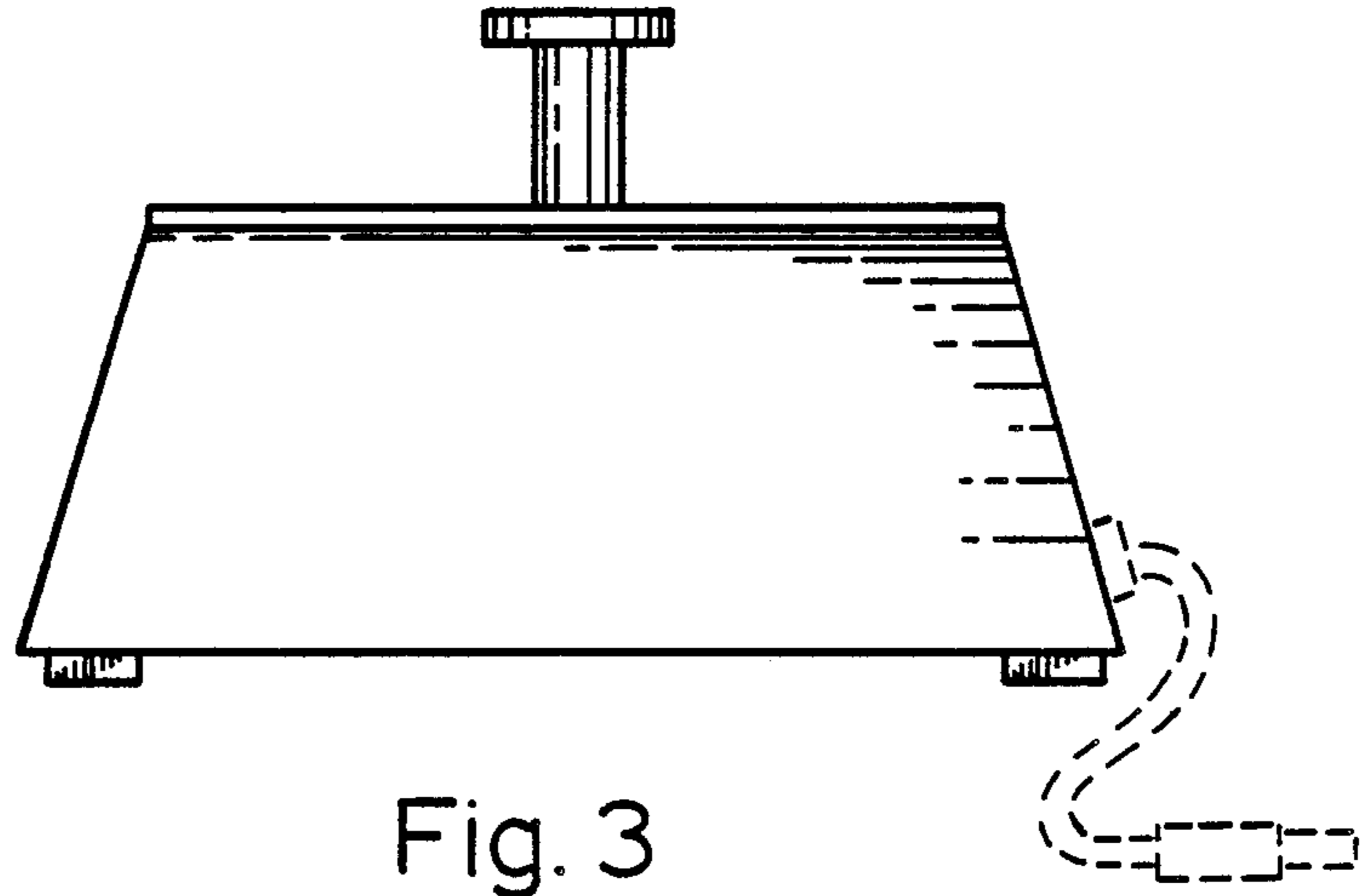


Fig. 3

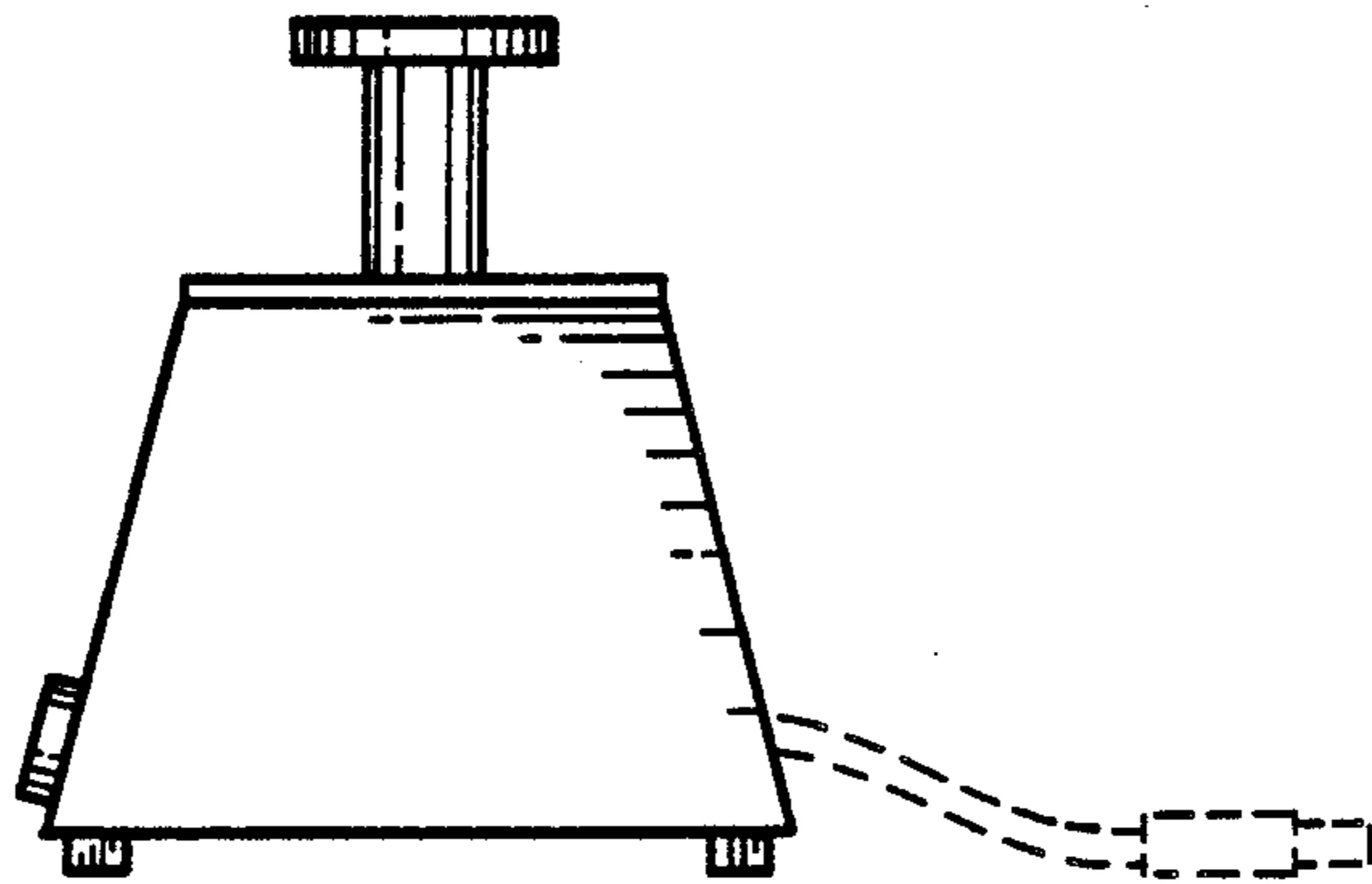


Fig. 4

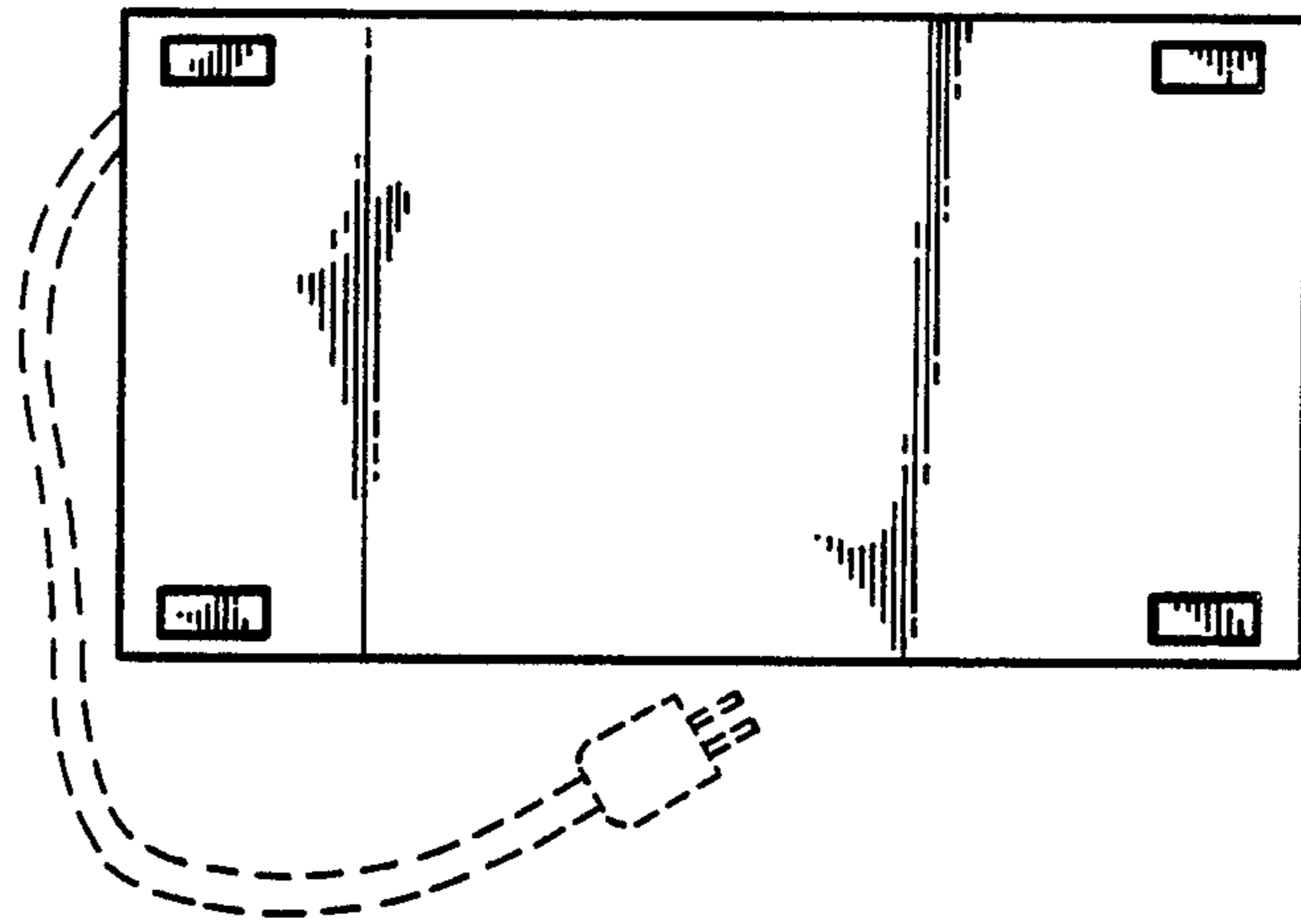


Fig. 5