

[54] INTERRUPTER SWITCH

- [75] Inventor: John Urbanek, Chicago, Ill.
[73] Assignee: S&C Electric Company, Chicago, Ill.
[**] Term: 14 Years
[21] Appl. No.: 67,905
[22] Filed: Jun. 29, 1987
[52] U.S. Cl. D13/160
[58] Field of Search 200/48 A, 48 R, 48 KB,
200/48 P, 48 SB, 146 R, 144 B; D13/158, 160

[56] References Cited

U.S. PATENT DOCUMENTS

2,954,450	11/1958	Mikos	200/48 R
3,308,259	3/1967	Hulteen et al.	200/146 R
3,647,996	3/1972	Bernatt et al.	200/48
3,787,651	1/1974	Chabala et al.	200/146 R
4,013,852	3/1977	Roberts et al.	200/146 R
4,103,129	7/1978	Evans et al.	200/144 R
4,107,487	8/1978	Evans	200/48 KB
4,126,773	12/1978	Bernatt et al.	200/146 R

FOREIGN PATENT DOCUMENTS

09528216	7/1956	Canada	200/48 R
0912621	10/1972	Canada	200/48 R

OTHER PUBLICATIONS

Descriptive Bulletin 761-30 dated Apr. 16, 1984 entitled "S&C AldutiRupter ® Switches".

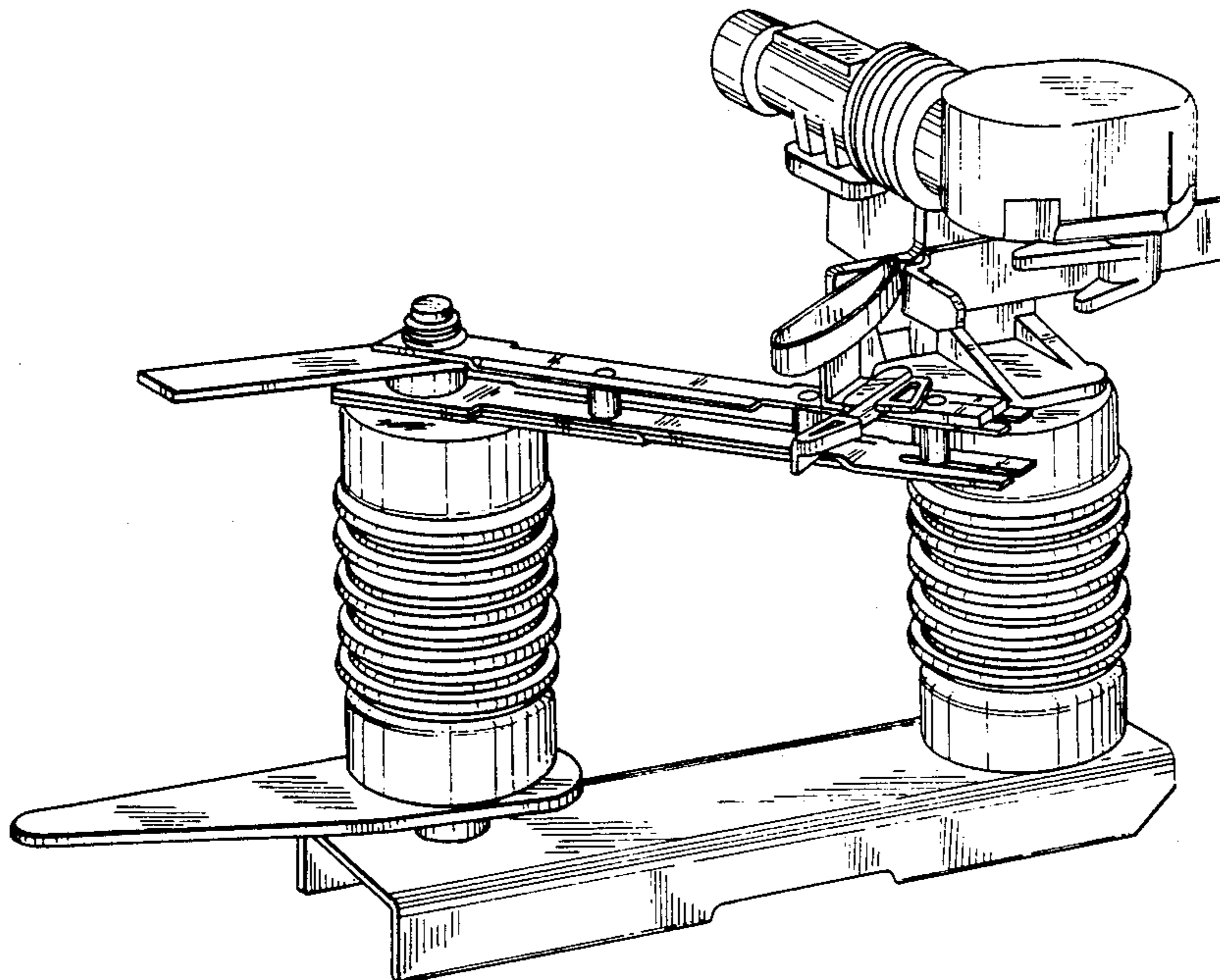
Primary Examiner—Susan J. Lucas
Assistant Examiner—Joel Sincavage
Attorney, Agent, or Firm—James V. Lapacek

[57] CLAIM

The ornamental design for an interrupter switch, as shown and described.

DESCRIPTION

FIG. 1 is a perspective view of an interrupter switch in the open position showing my new design; FIG. 2 is a front elevational view of an interrupter switch in the closed position showing my new design; FIG. 3 is a rear elevational view thereof; FIG. 4 is a left side elevational view thereof; FIG. 5 is a right side elevational view thereof; FIG. 6 is a top-plan view thereof; FIG. 7 is a bottom plan view thereof; FIG. 8 is a rear elevational view of an interrupter switch showing a second embodiment of my new design, the difference being in the appearance of the insulators. All other aspects of the second embodiment are the same as those shown in FIGS. 1 and 7; FIG. 9 is a left side elevational view thereof; FIG. 10 is a right side elevational view thereof; and FIG. 11 is a top plan view thereof.



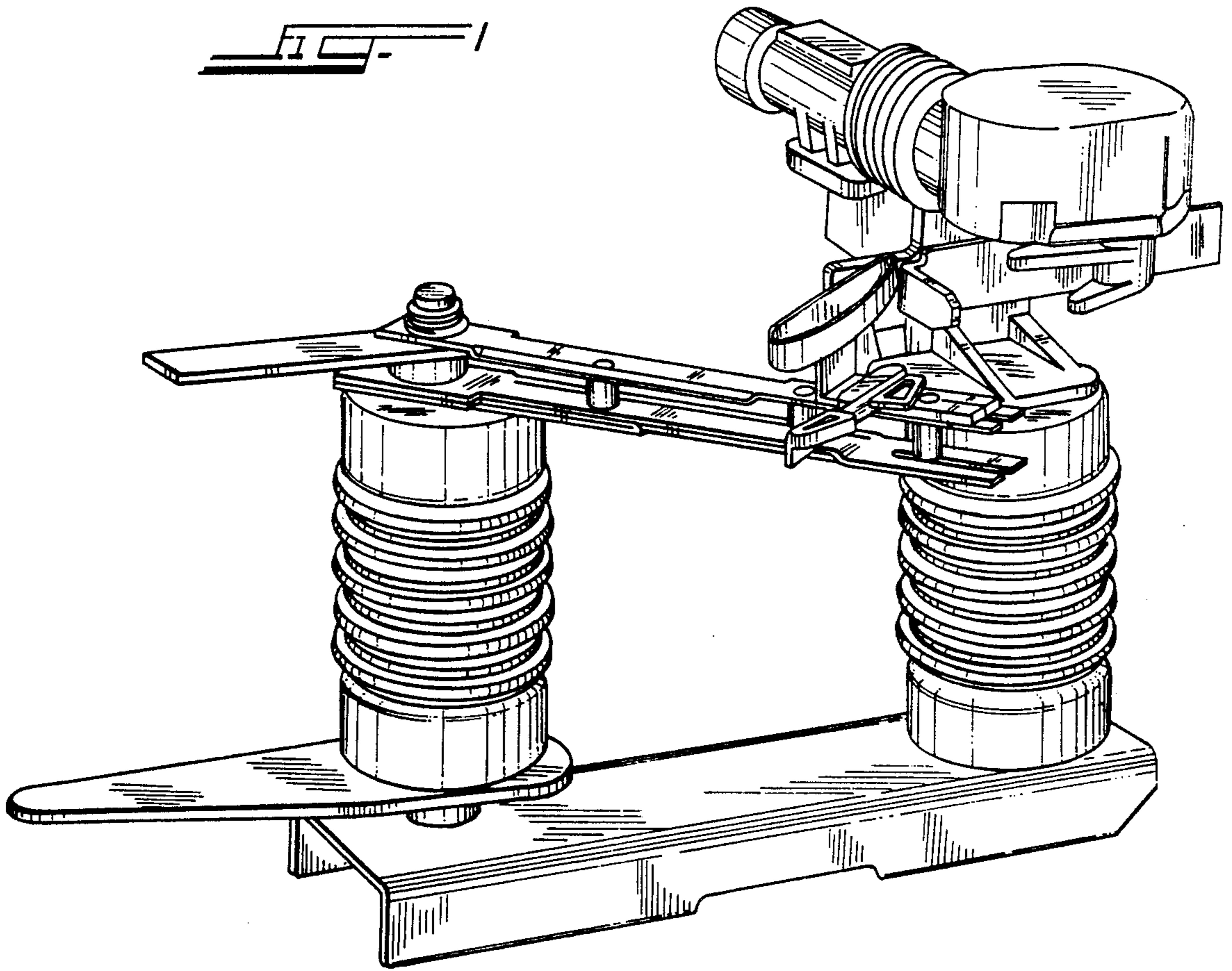
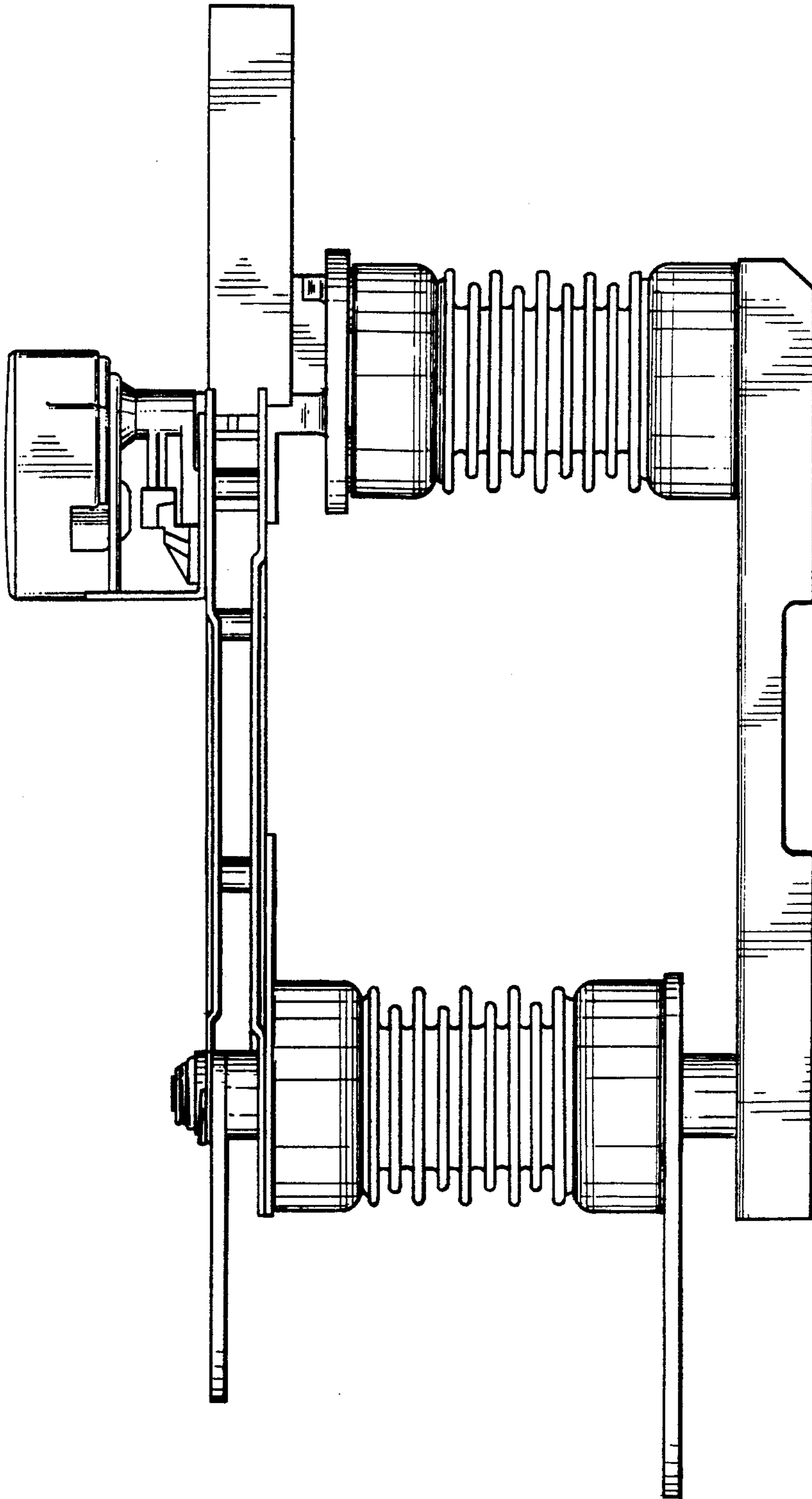


FIG. 2



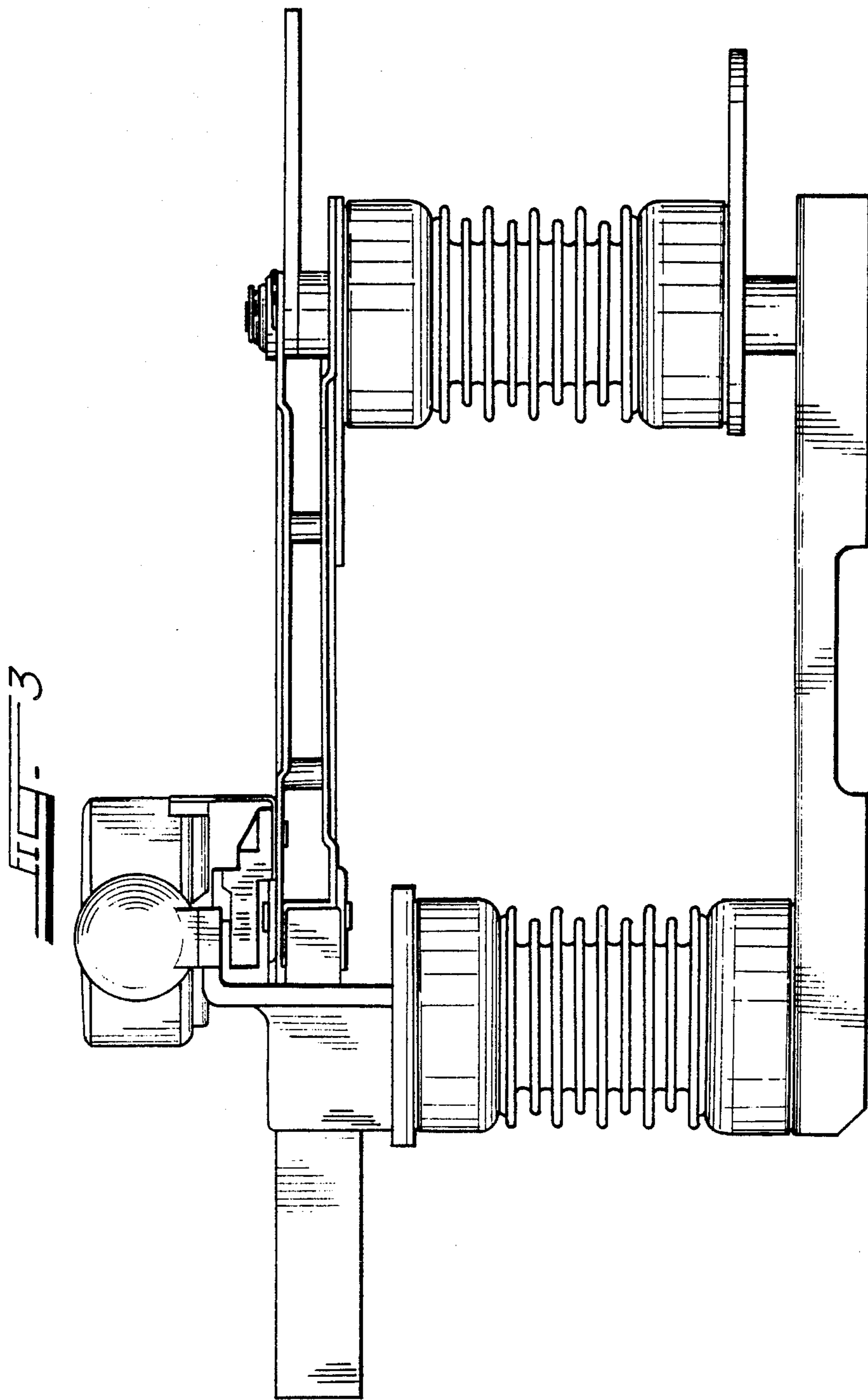


FIG-5

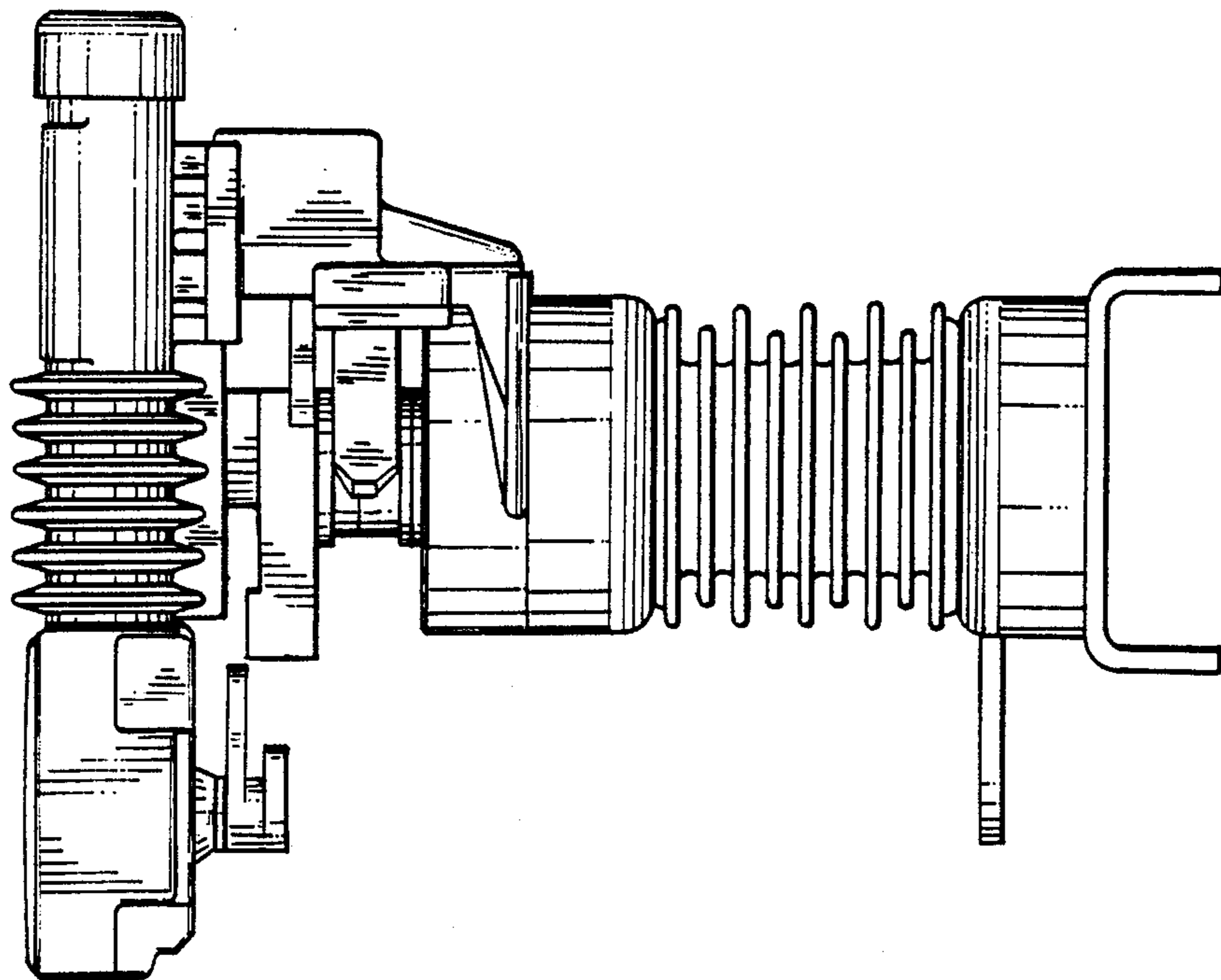


FIG-4

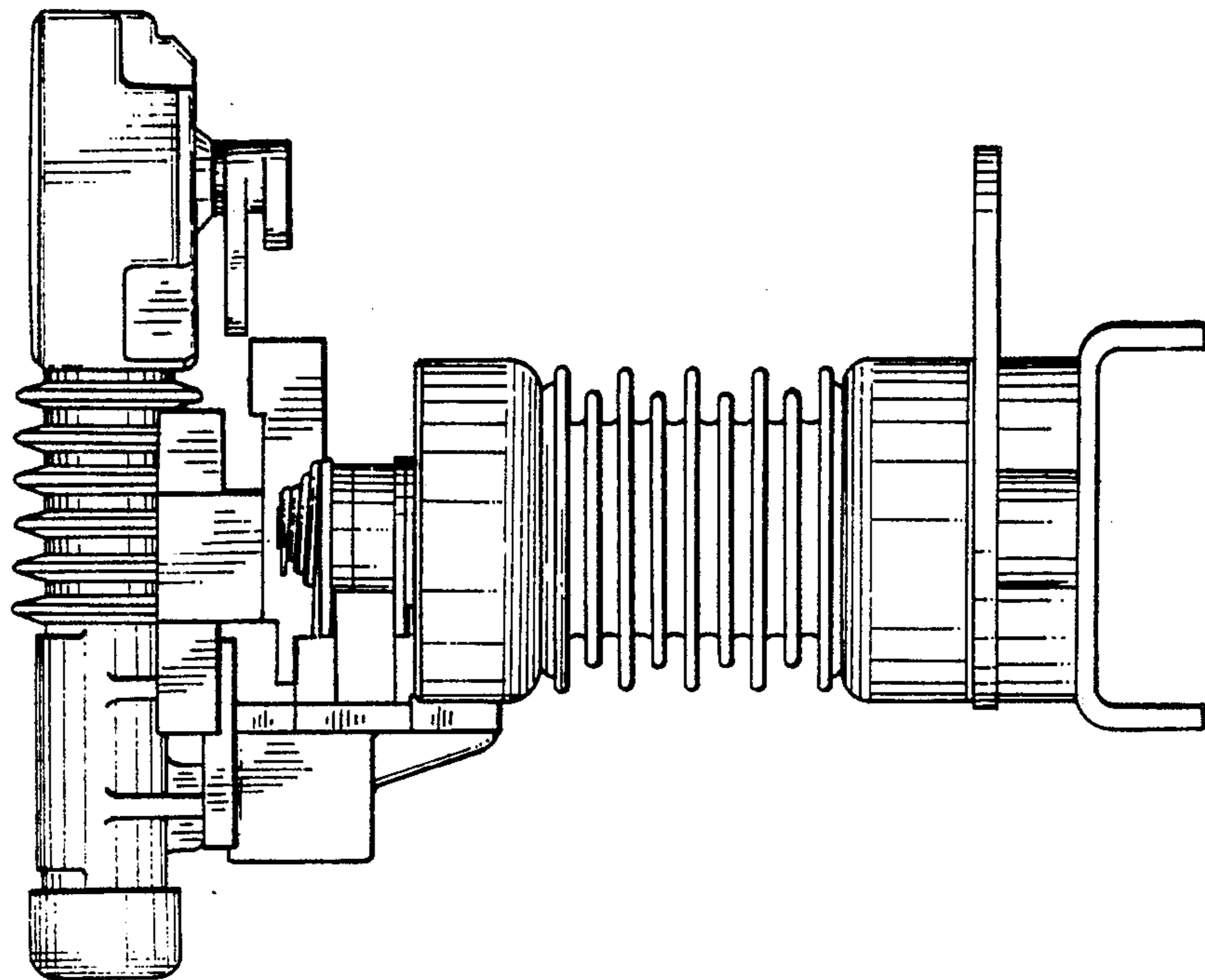


FIG. 6

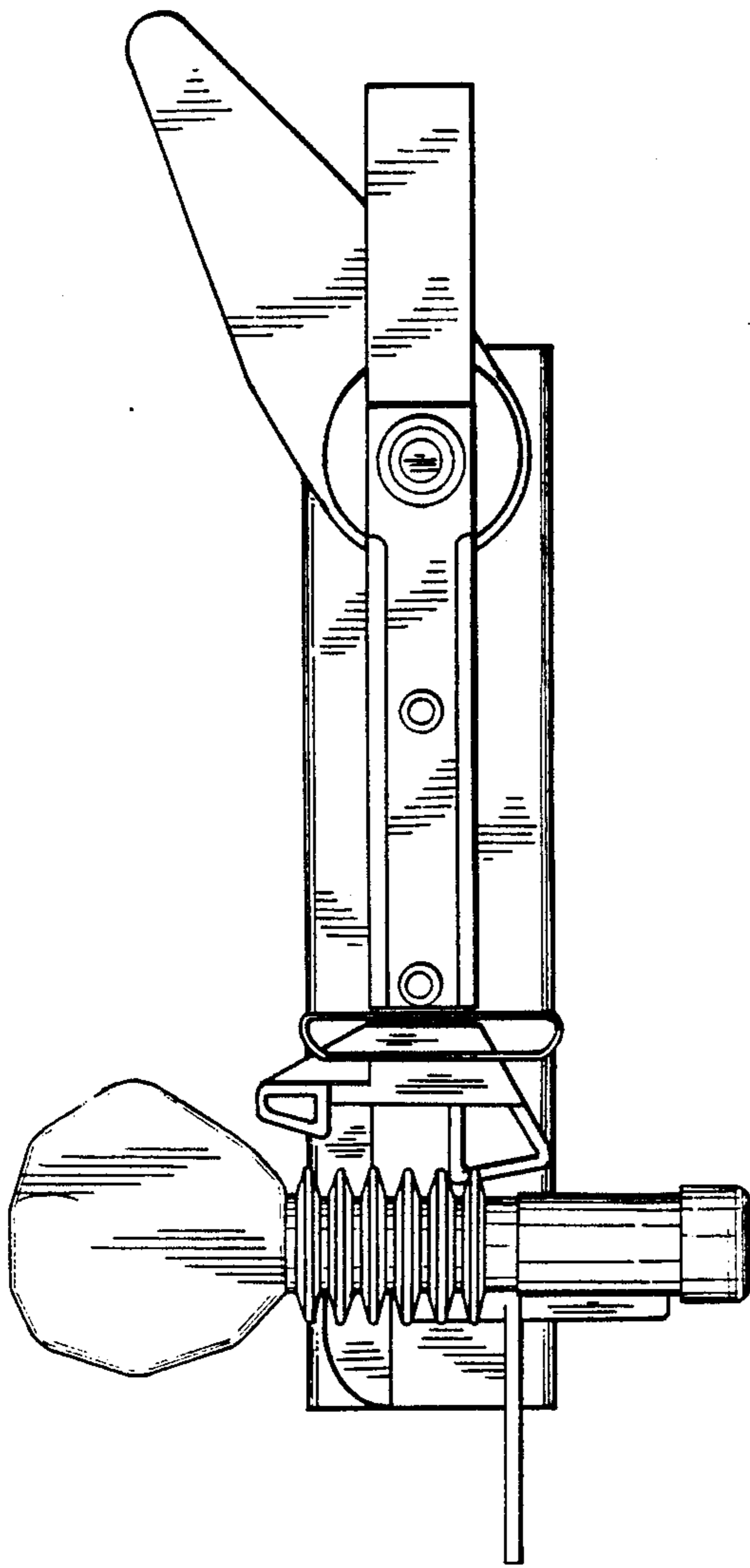


FIG. 7

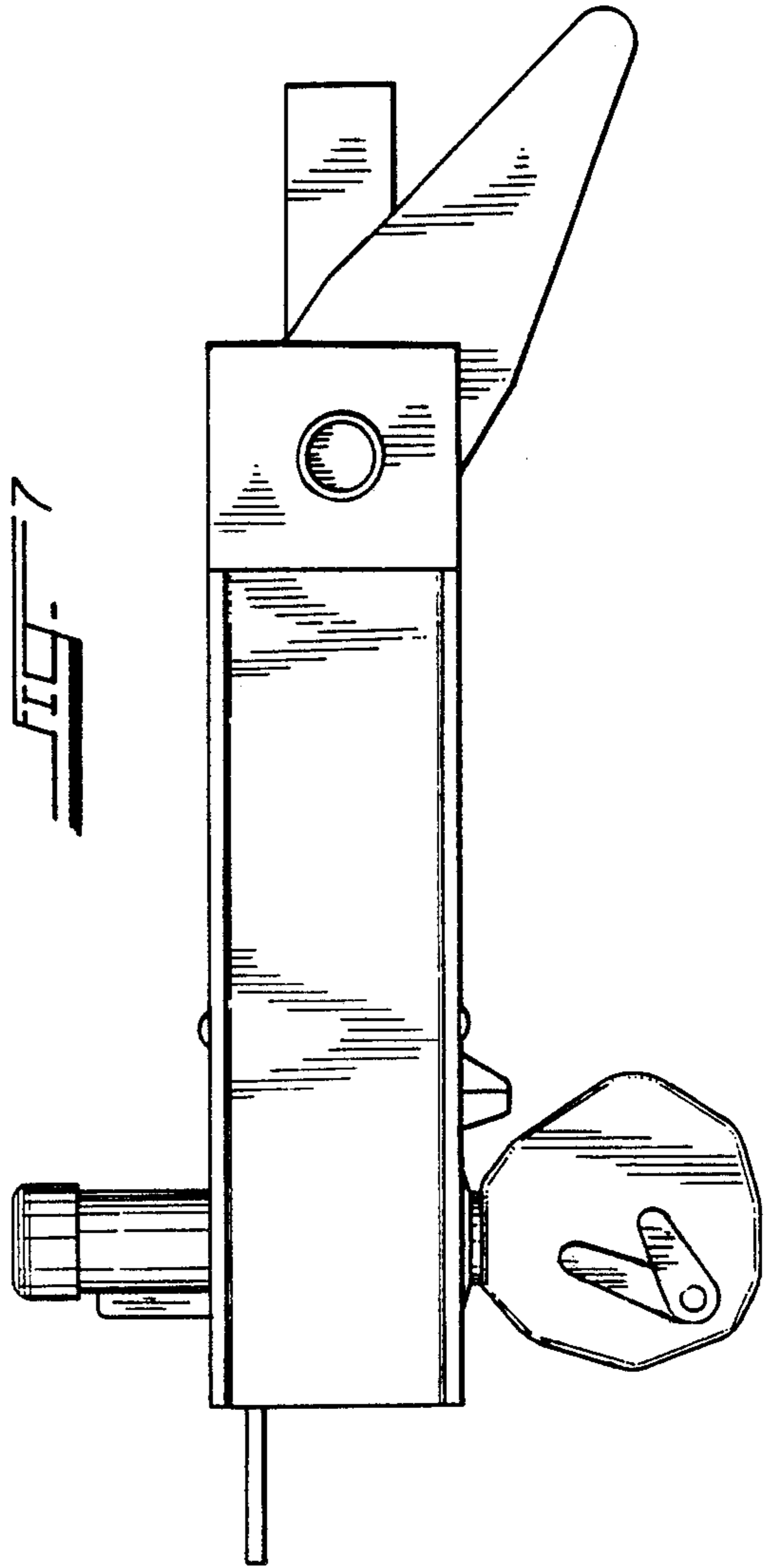


FIG. 8

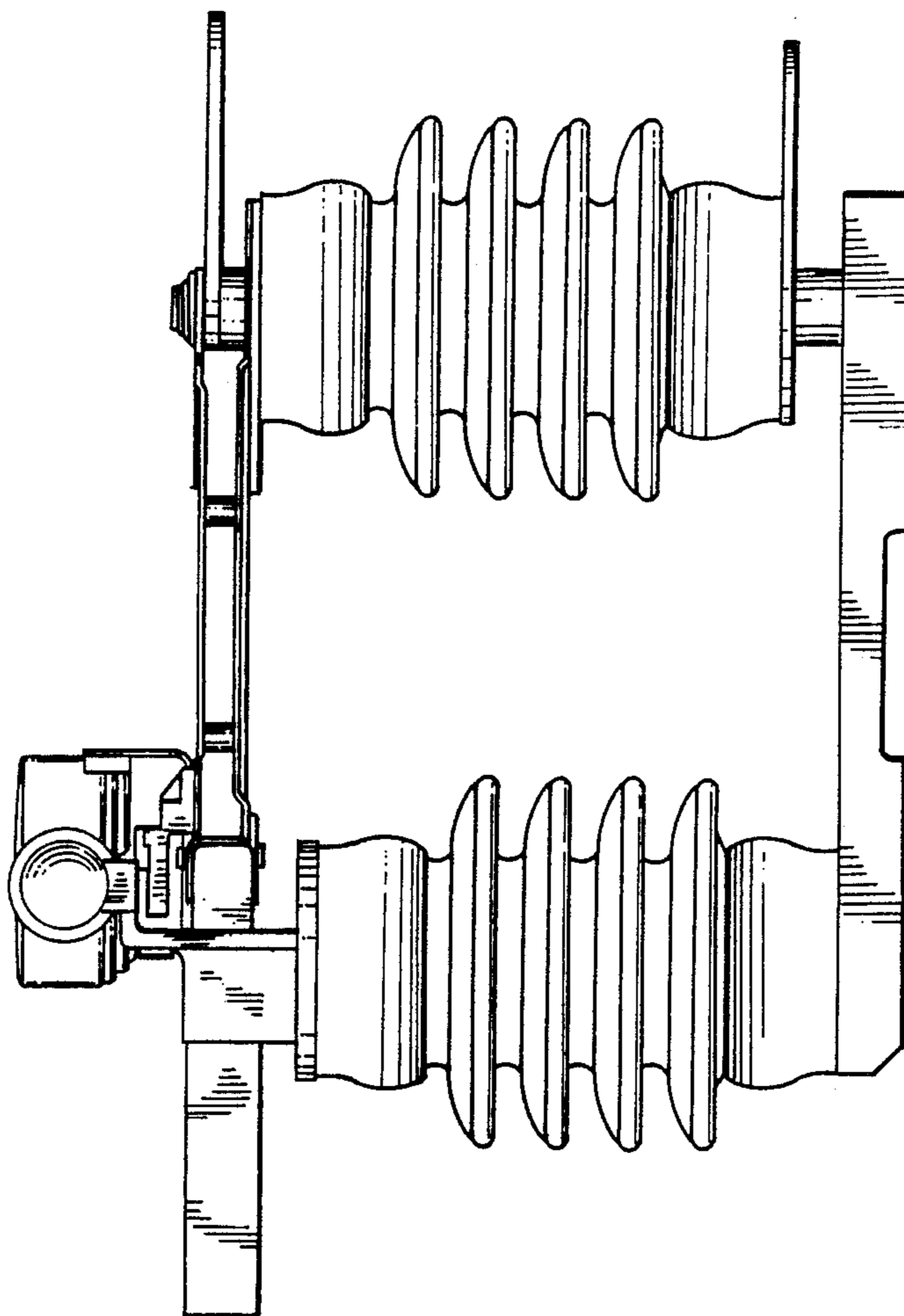


FIG. 10

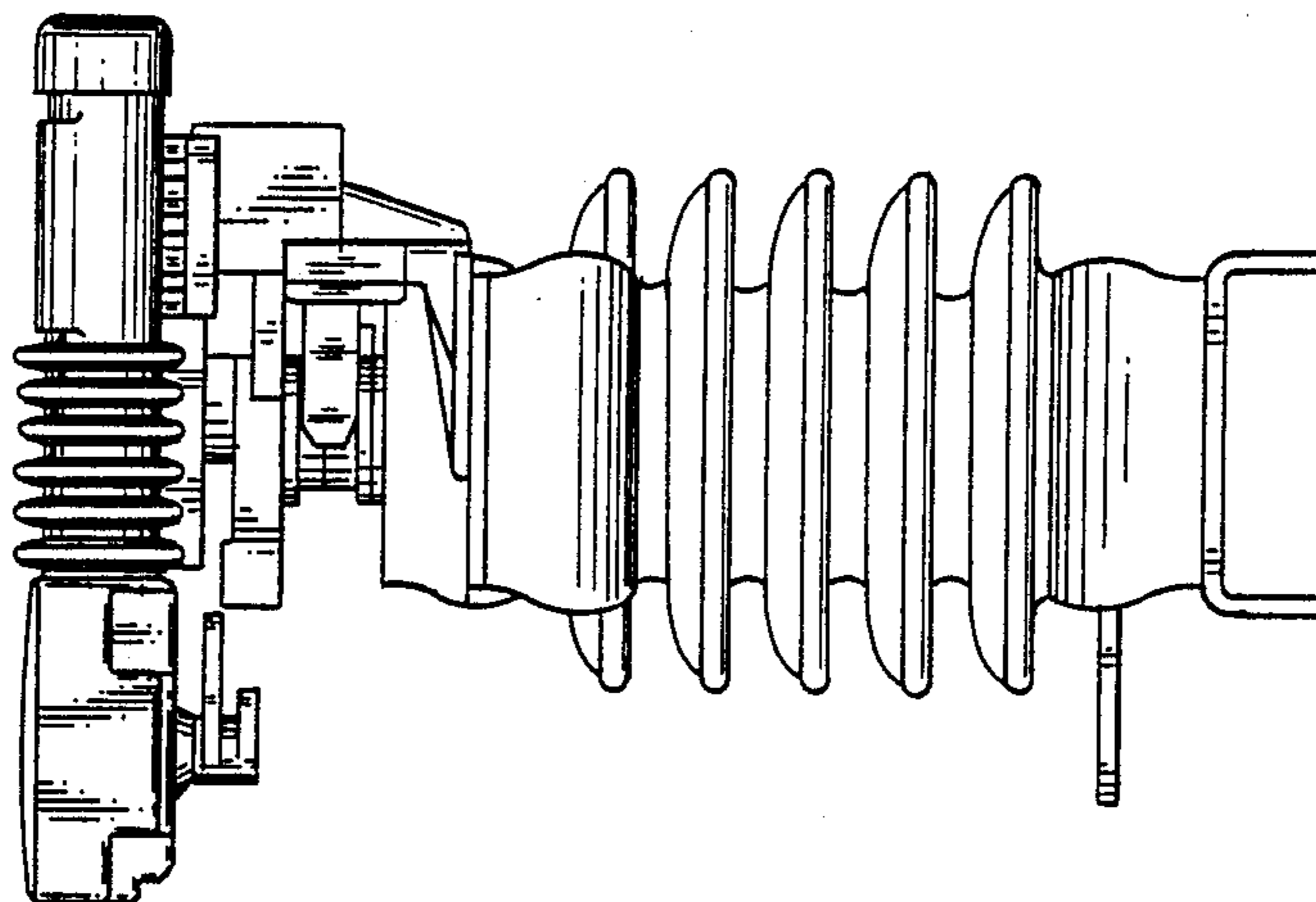


FIG. 9

