

[54] CONNECTING BLOCK

[75] Inventors: James M. Benjamin, Indianapolis, Ind.; Chris G. Johnson; Kristin E. Olson, both of New York, N.Y.; William T. Spitz, Indianapolis, Ind.

[73] Assignee: AT&T Bell Laboratories, Murray Hill, N.J.

[\*\*] Term: 14 Years

[21] Appl. No.: 169,181

[22] Filed: Mar. 14, 1988

[52] U.S. Cl. .... D13/147

[58] Field of Search ..... D13/146, 147, 154, 133; D14/240, 241, 299; 439/92, 353, 638, 650, 676; 379/156, 412, 441, 442, 399

[56] References Cited

U.S. PATENT DOCUMENTS

D. 258,577	3/1981	Bottner	10/6
4,103,985	8/1978	Krolak et al.	439/553
4,188,505	2/1980	O'Connor	179/1
4,303,296	12/1981	Spaulding	439/638

OTHER PUBLICATIONS

Western Electric Connecting Block on p. 15 of Tech. Digest No. 63, Jul. 1981.

Telephon Protector Closure on p. 74 of *Telephony*, 2-1-0-86.

Maintenance Terminating Units on p. 90 of *Telephony*, 3-6-86.

ROVA Surface Jacks on p. 63 of *Telephony*, 11-10-86.

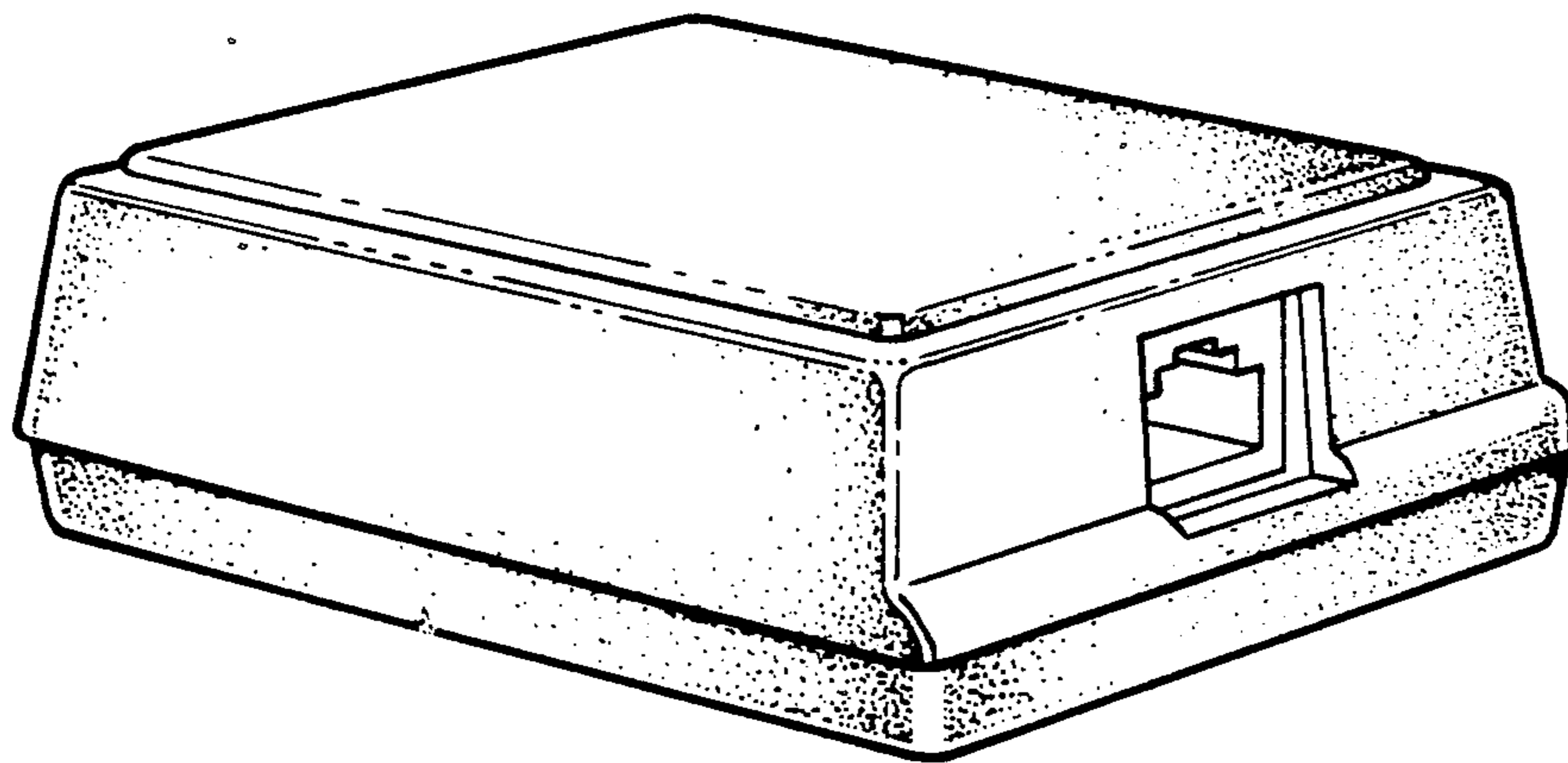
Primary Examiner—Susan J. Lucas  
Assistant Examiner—Joel Sincavage  
Attorney, Agent, or Firm—Michael A. Morra

[57] CLAIM

The ornamental design for a connecting block, as shown and described.

DESCRIPTION

FIG. 1 is a top, front and left side perspective view of a connecting block showing our new design;  
FIG. 2 is a top plan view thereof;  
FIG. 3 is a front elevational view thereof;  
FIG. 4 is a right side elevational view thereof;  
FIG. 5 is a rear elevational view thereof;  
FIG. 6 is a left side elevational view thereof;  
FIG. 7 is a bottom plan view thereof;  
FIG. 8 is a top, front and left side perspective view of a connecting block showing a second embodiment of our new design with the sliding door in the open position;  
FIG. 9 is a perspective view thereof with the sliding door in the closed position;  
FIG. 10 is a front elevational view thereof;  
FIG. 11 is a right side elevational view thereof;  
FIG. 12 is a left side elevational view thereof.



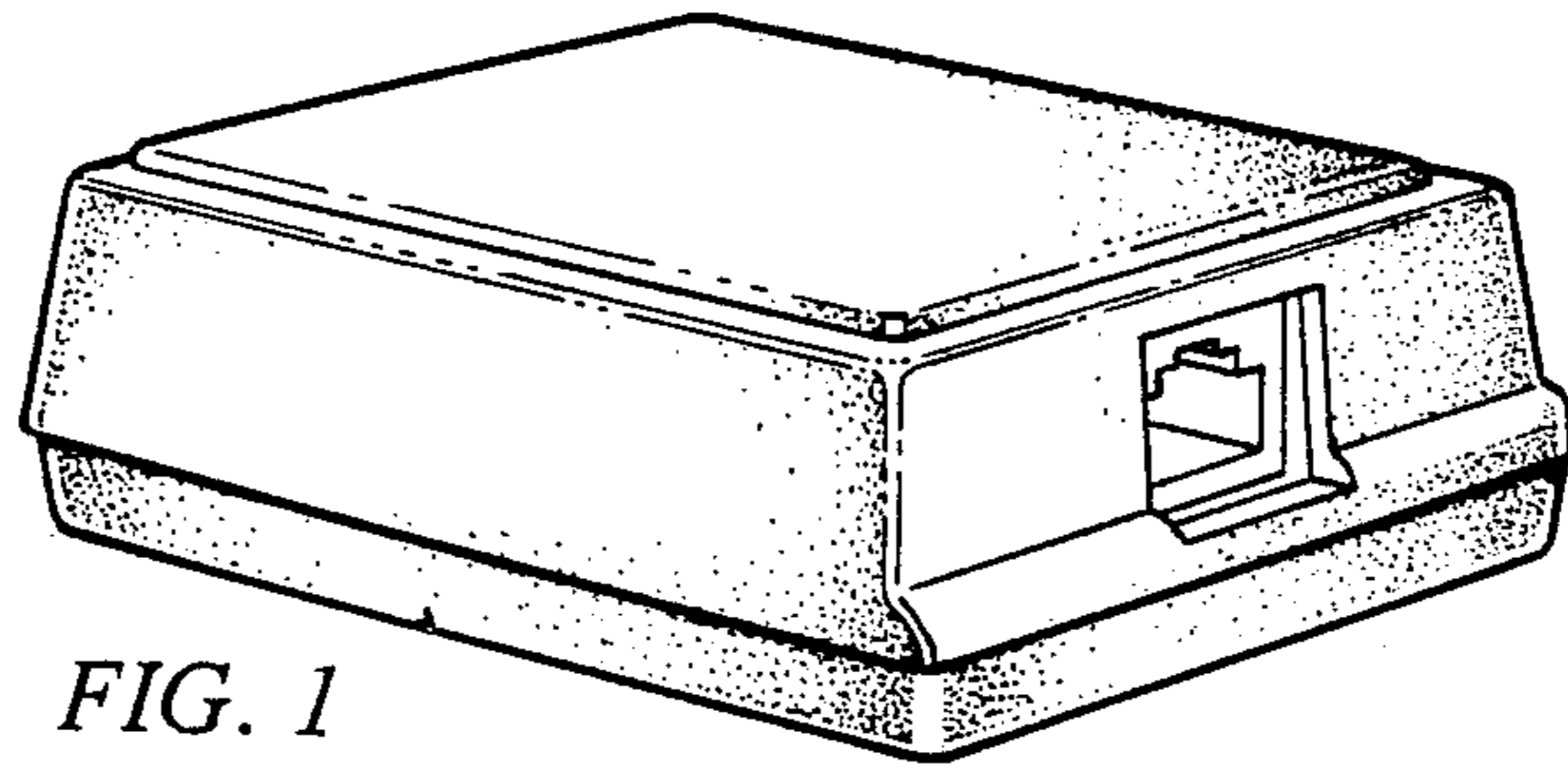


FIG. 1

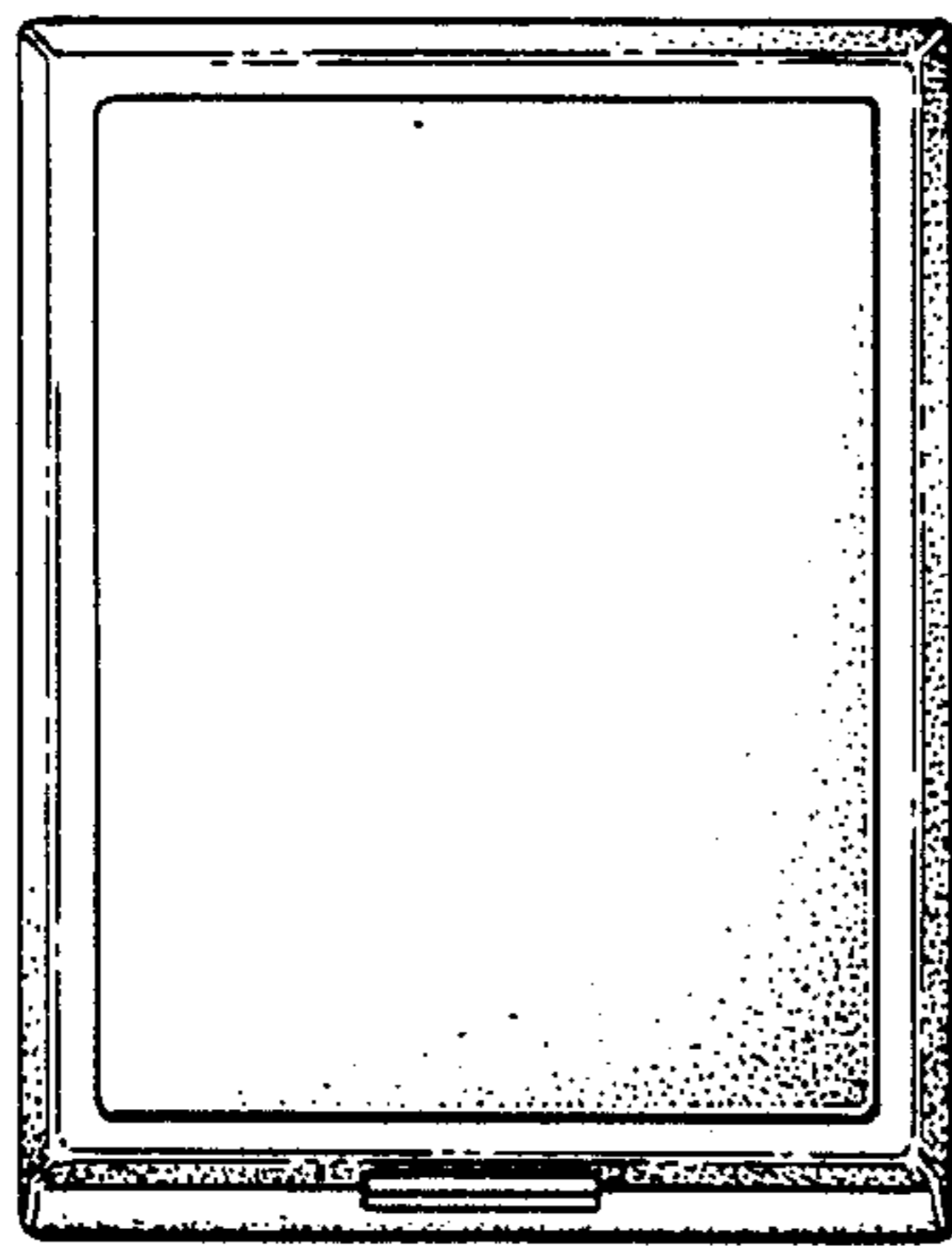


FIG. 2

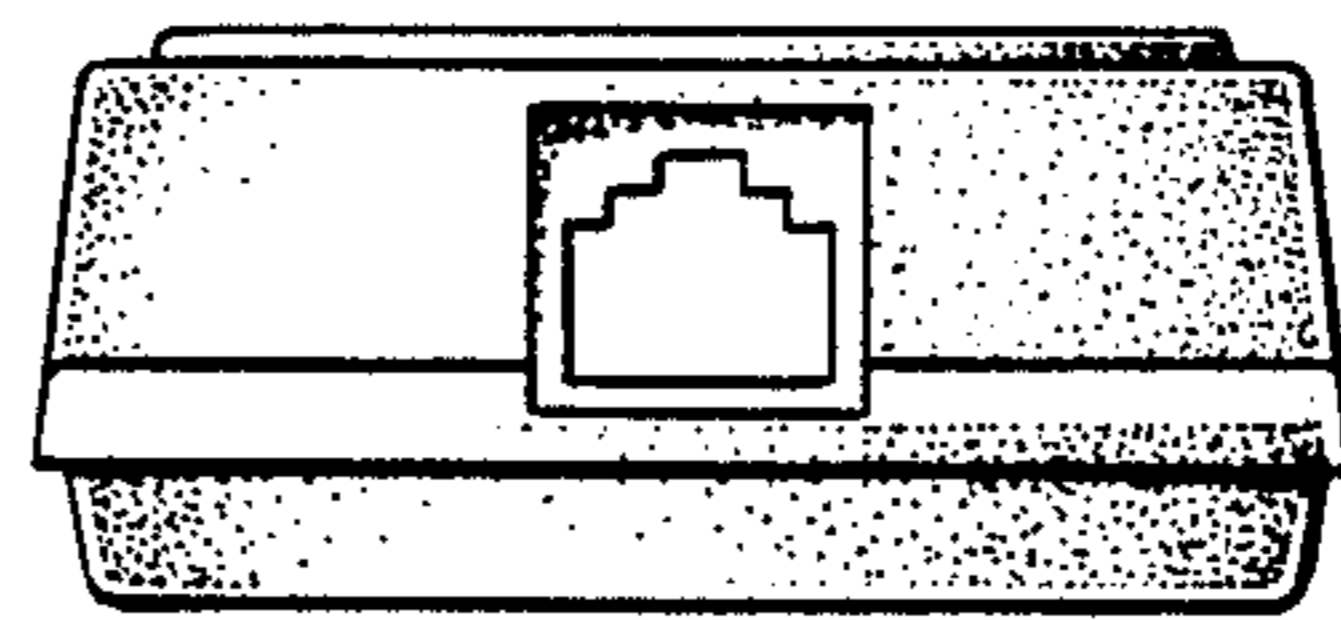


FIG. 3

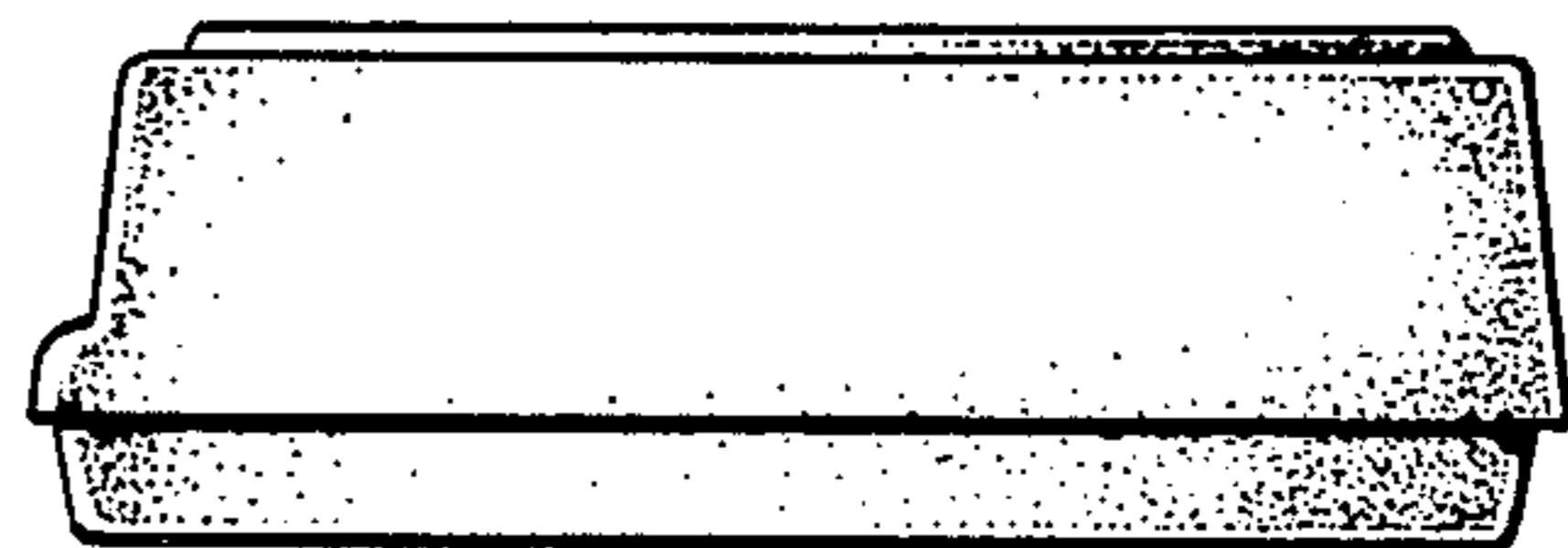


FIG. 4



FIG. 5

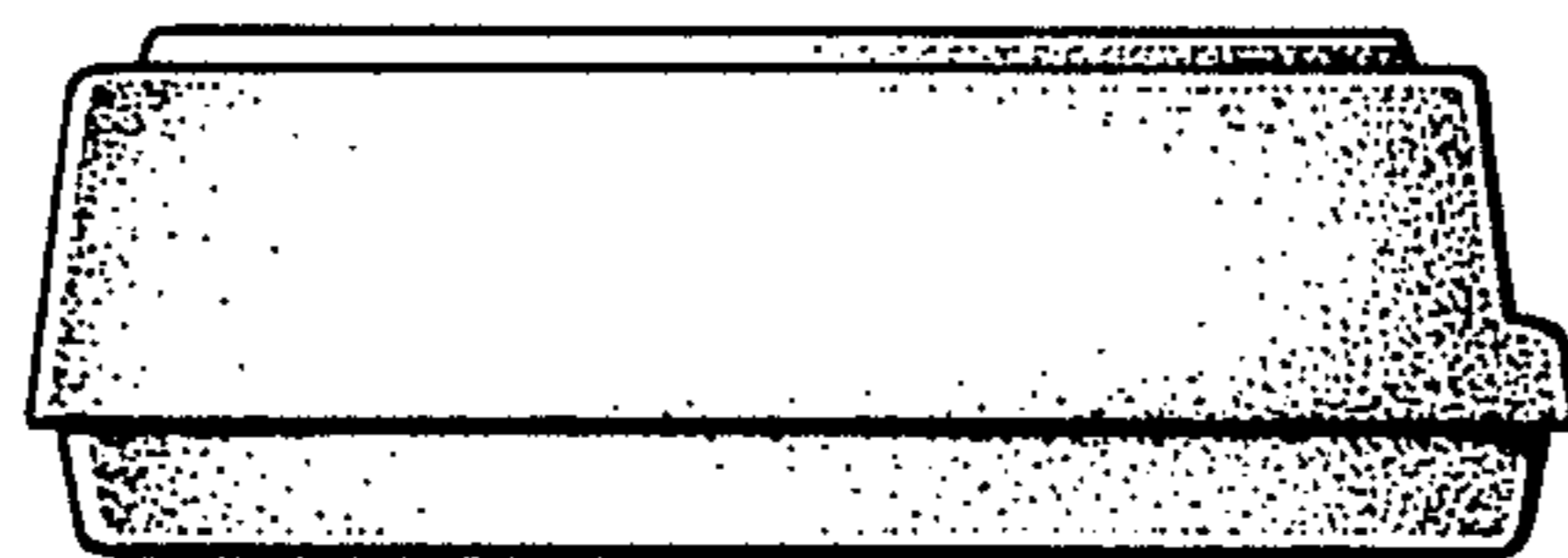


FIG. 6

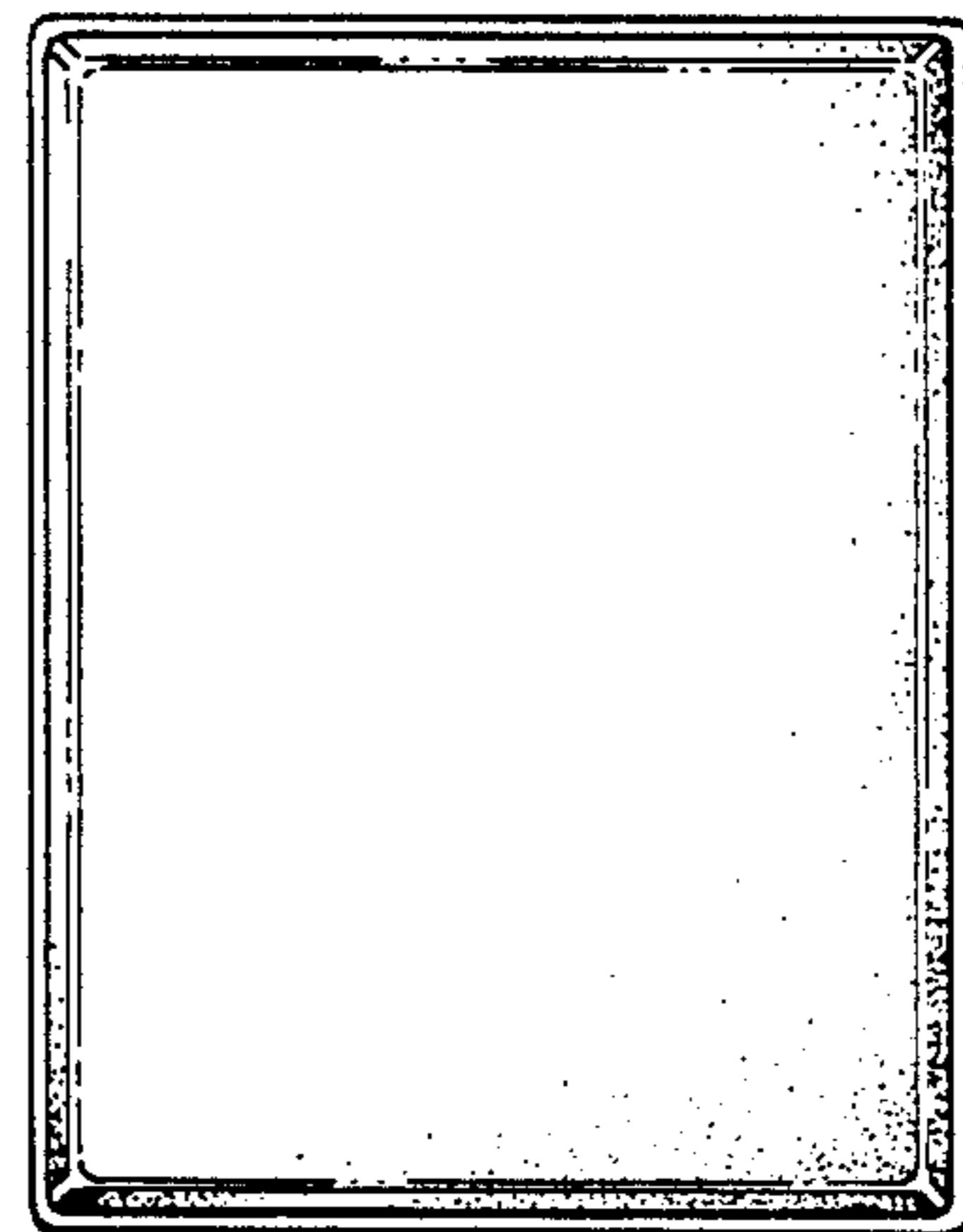


FIG. 7

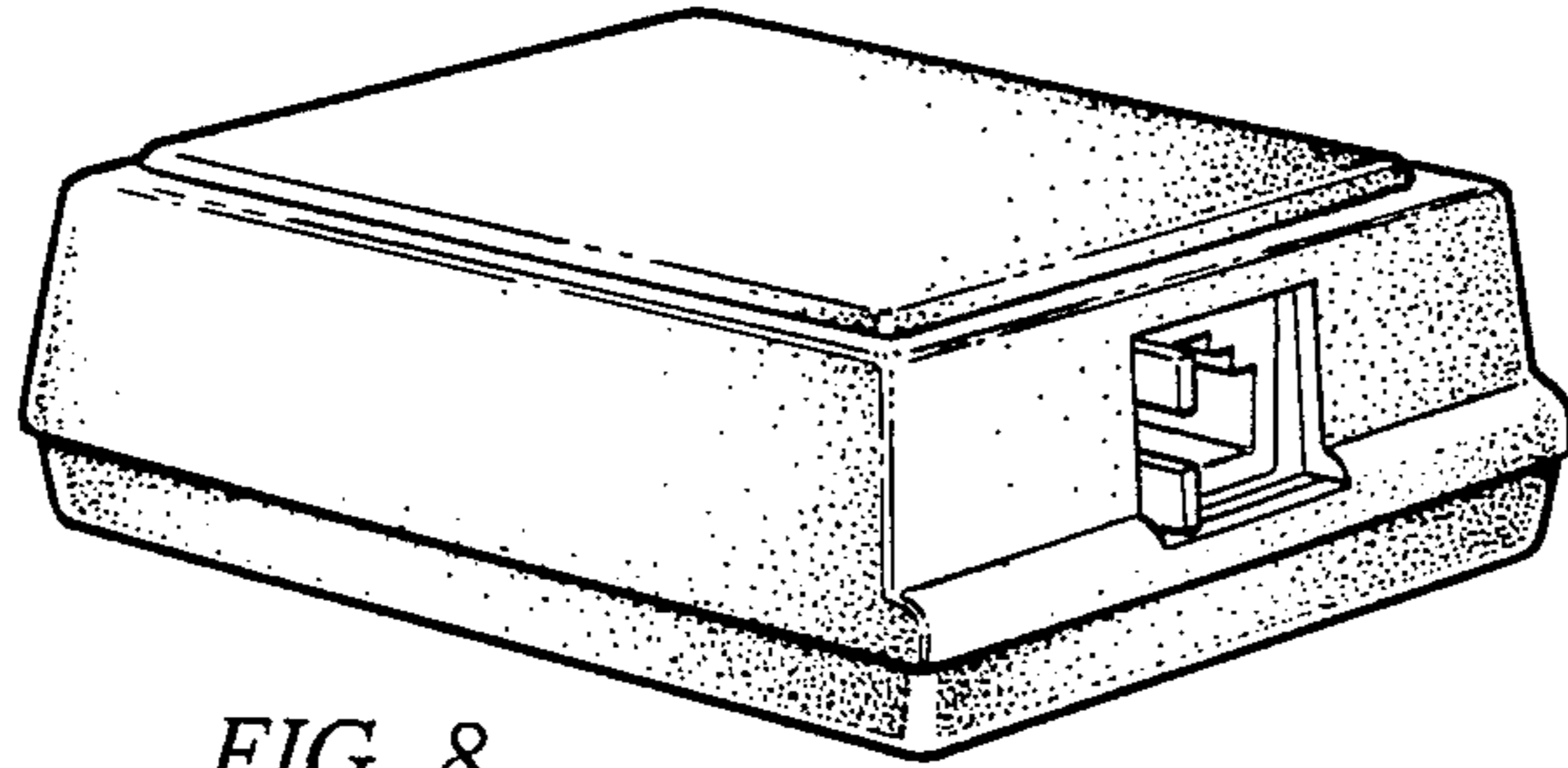


FIG. 8

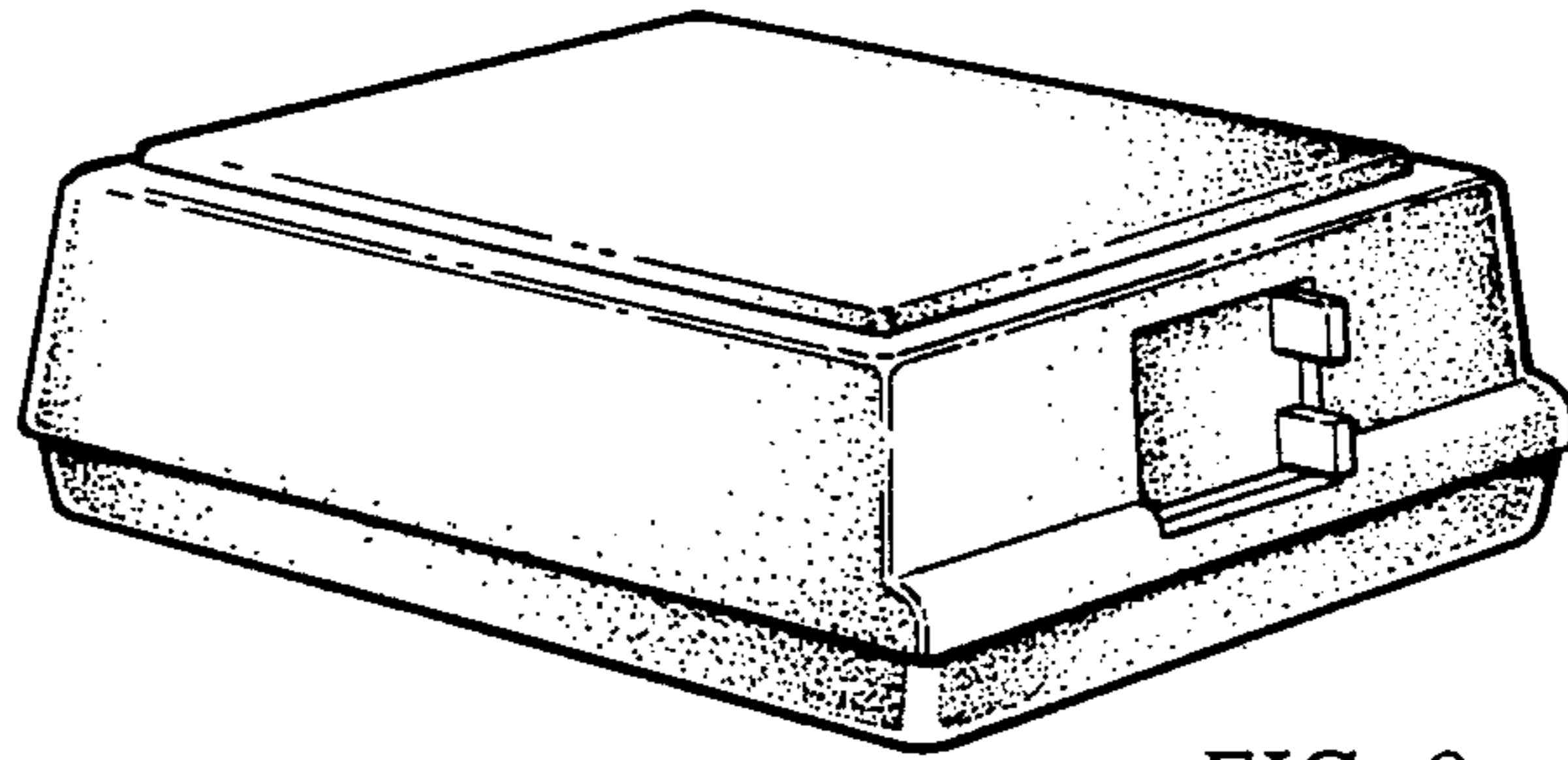


FIG. 9

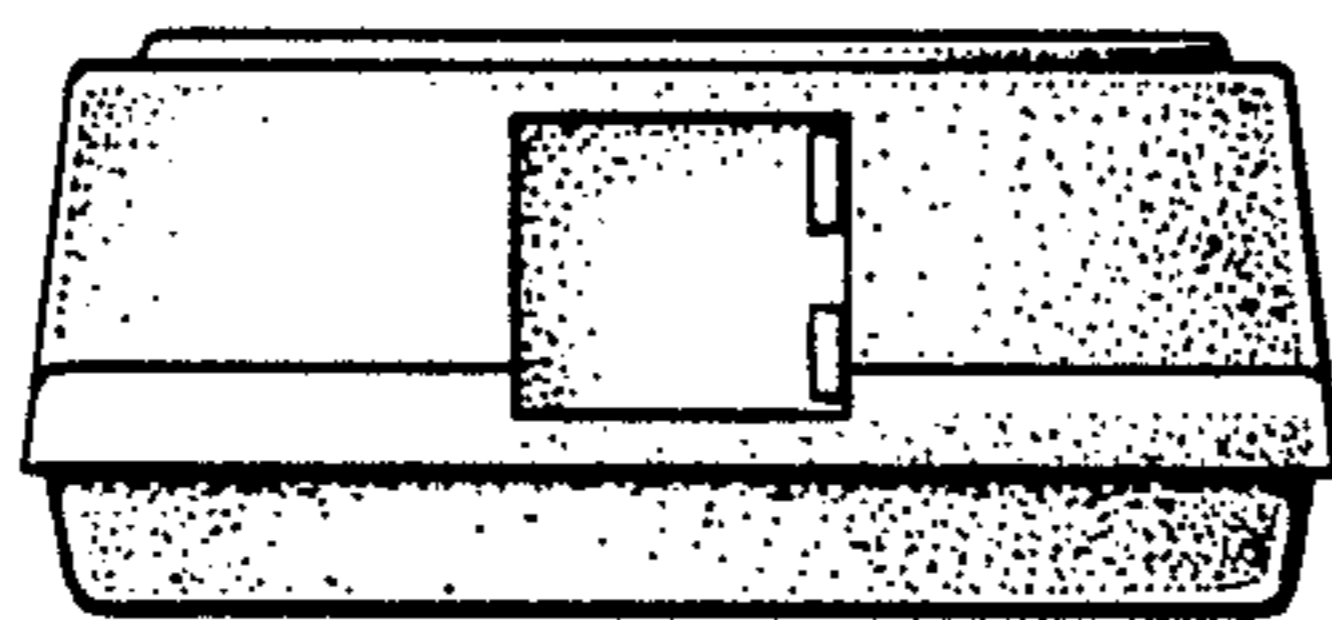


FIG. 10

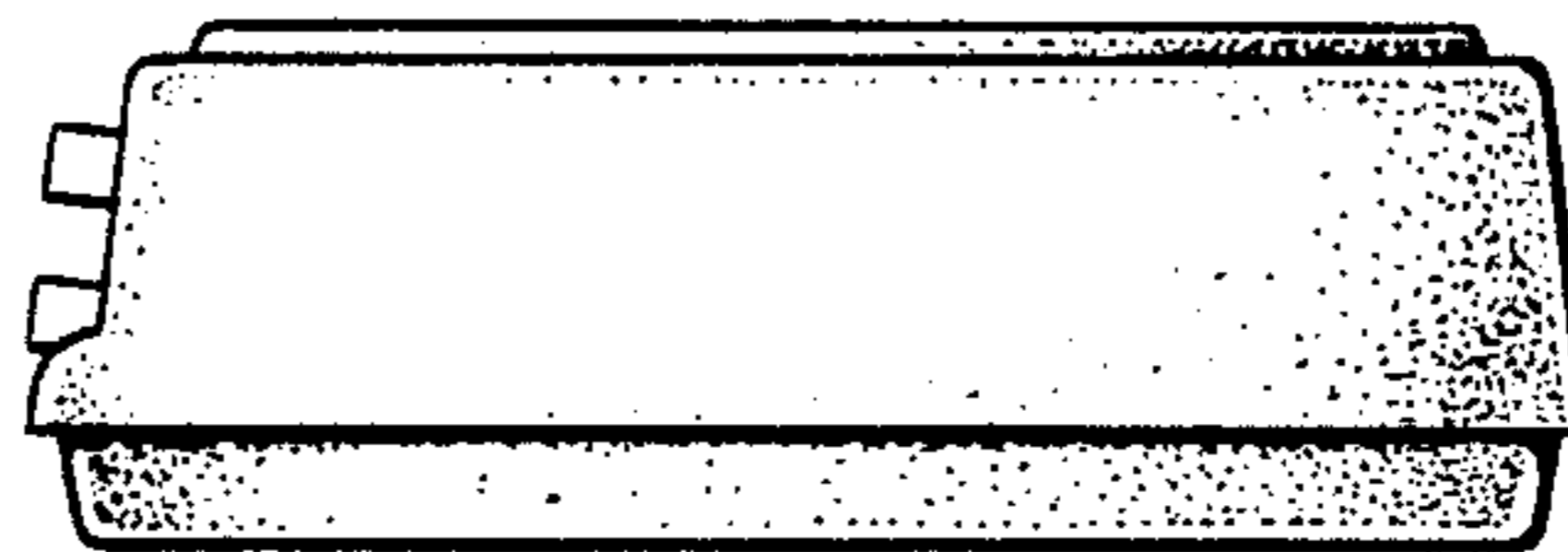


FIG. 11

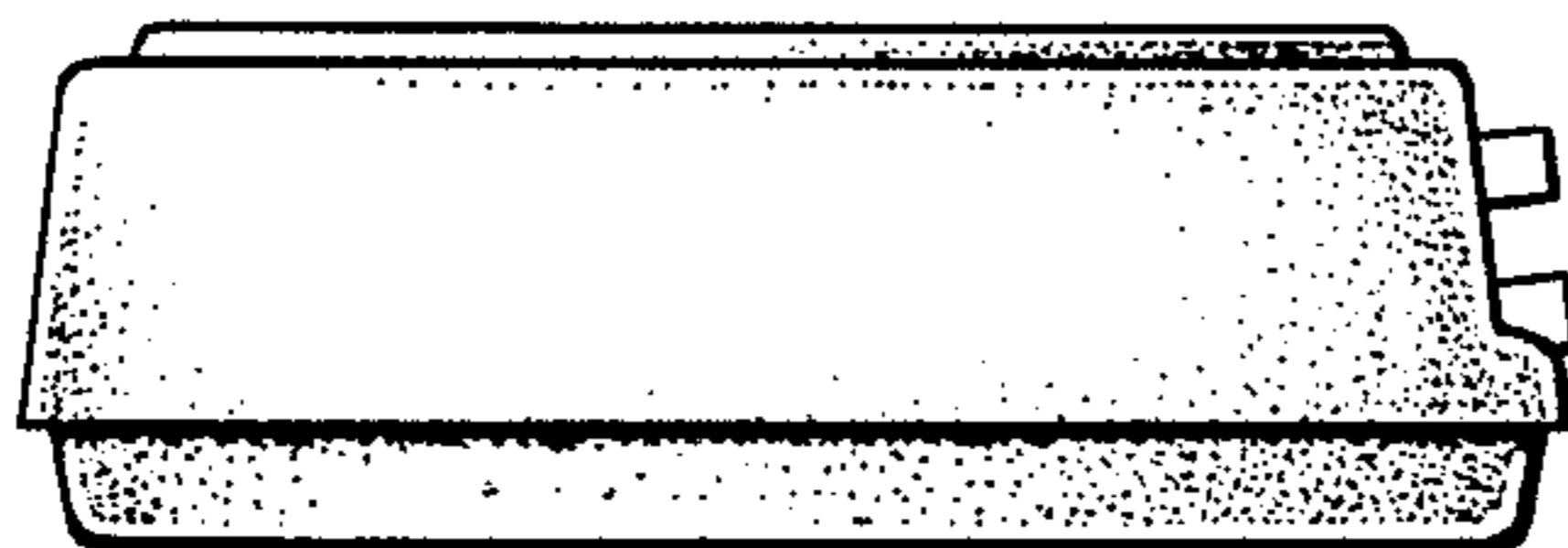


FIG. 12