

United States Patent [19]

Williamson et al.

[11] Patent Number: **Des. 312,069**

[45] Date of Patent: **** Nov. 13, 1990**

[54] **COMBINED SOLAR COLLECTOR AND LIQUID STORAGE TANK FOR SOLAR WATER HEATER**

[75] Inventors: **Kenneth G. Williamson; Keith S. P. Graham**, both of Canning Vale, Australia

[73] Assignee: **Solco Limited**, Canning Vale, Australia

[**] Term: **14 Years**

[21] Appl. No.: **13,385**

[22] Filed: **Feb. 11, 1987**

[30] **Foreign Application Priority Data**

Aug. 12, 1986 [AU] Australia 6248/86
[52] U.S. Cl. **D13/102**
[58] Field of Search D23/318; 126/432, 437, 126/438, 450, 451; D13/102

[56] **References Cited**

U.S. PATENT DOCUMENTS

D. 236,473 8/1975 Kerlin et al. D13/3.1
D. 255,379 6/1980 Riley D13/3.1

D. 288,956 3/1987 Wadleigh D13/3.1
4,010,733 3/1977 Moore 126/450 X
4,284,066 8/1981 Brow 126/450

FOREIGN PATENT DOCUMENTS

0068556 5/1980 Japan 126/437
0053342 5/1981 Japan 126/438

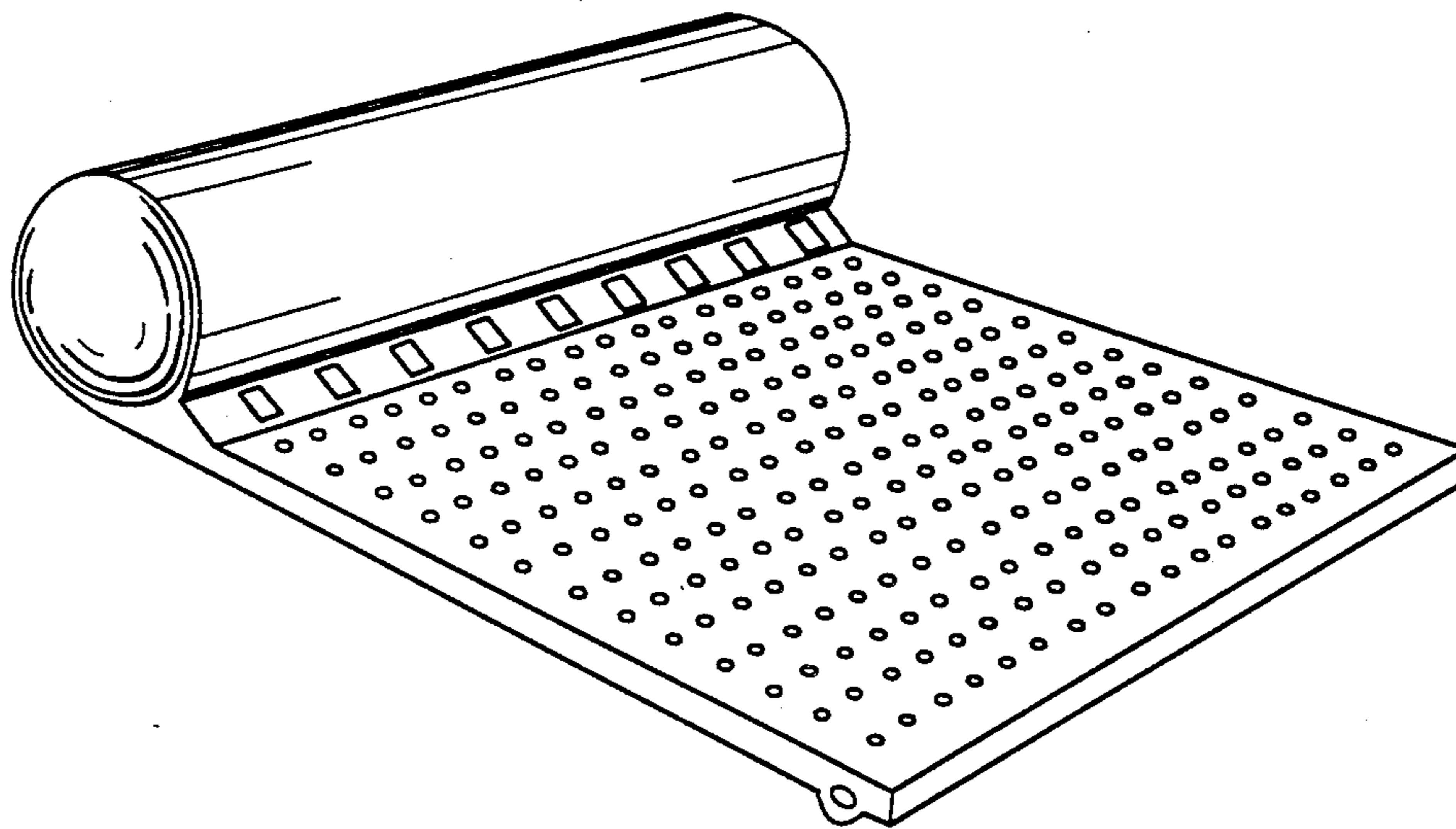
Primary Examiner—Susan J. Lucas
Assistant Examiner—M. H. Tung
Attorney, Agent, or Firm—Harness, Dickey & Pierce

[57] **CLAIM**

The ornamental design for a combined solar collector and liquid storage tank for a solar water heater, as shown and described.

DESCRIPTION

FIG. 1 is an isometric view of an combined solar collector and liquid storage tank for a solar water heater showing our new design as seen from the top and one side;
FIG. 2 is an isometric view thereof as seen from the bottom and opposite side;
FIG. 3 is a top plan view thereof on an enlarged scale;
FIG. 4 is a side elevational view thereof; and
FIG. 5 is a bottom plan view thereof on a reduced scale.



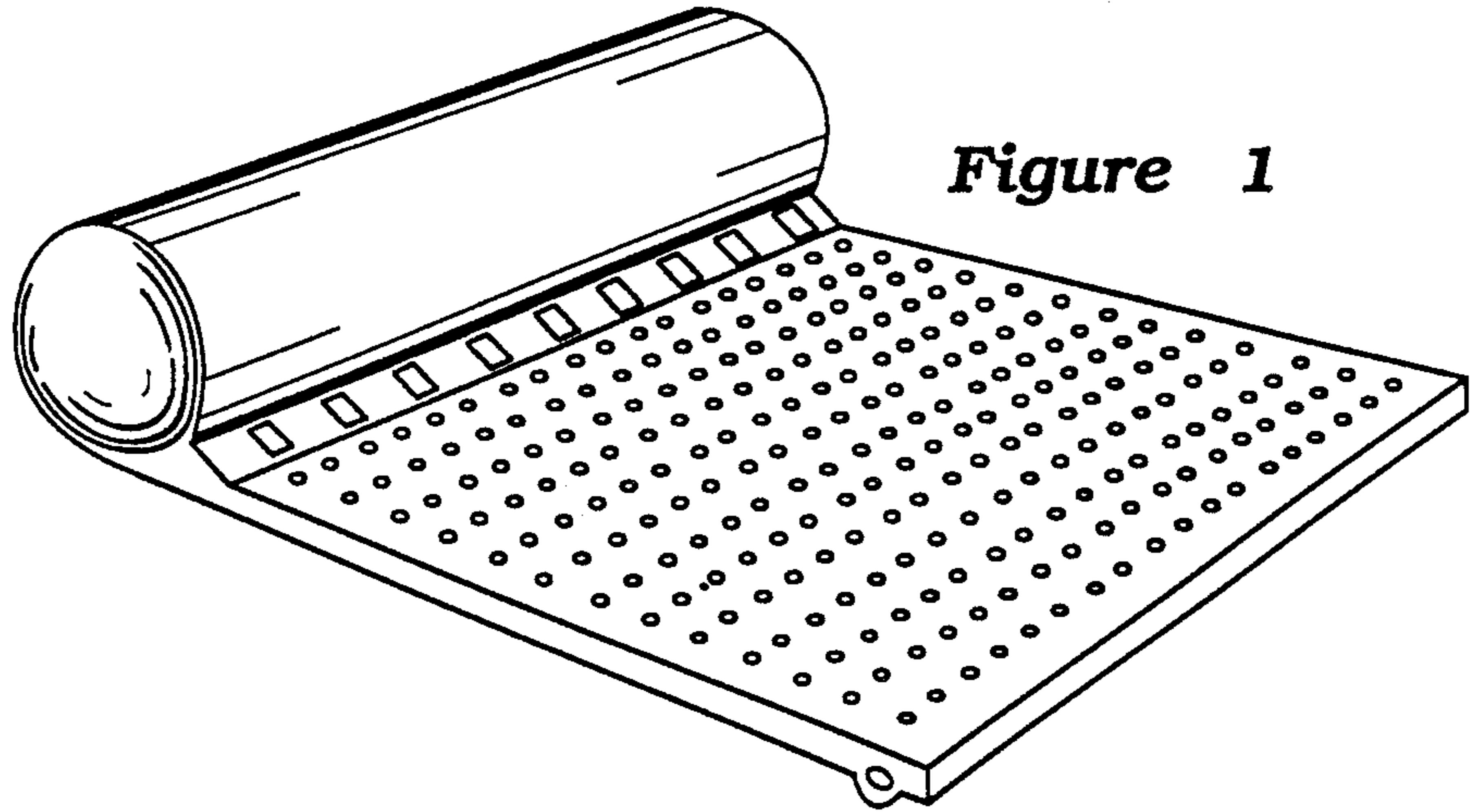


Figure 1

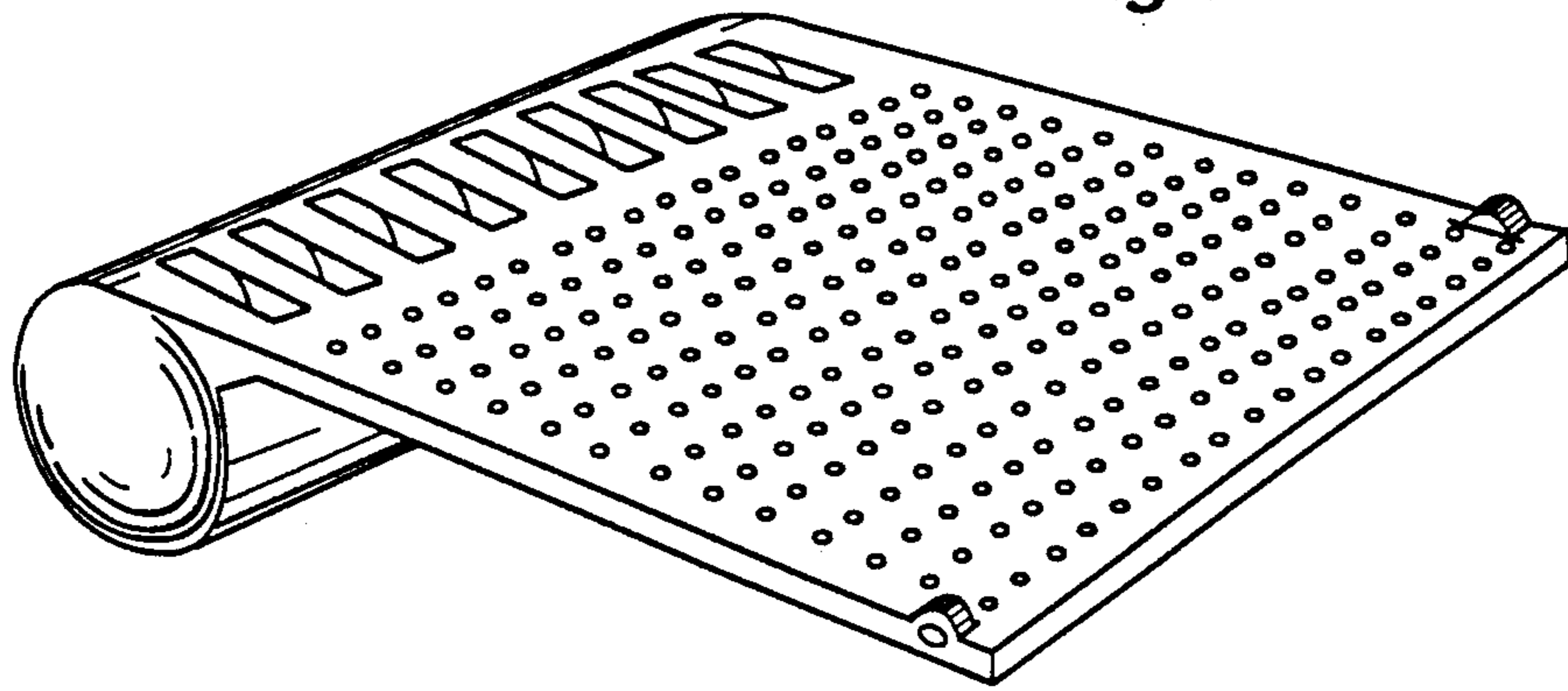


Figure 2

Figure 3

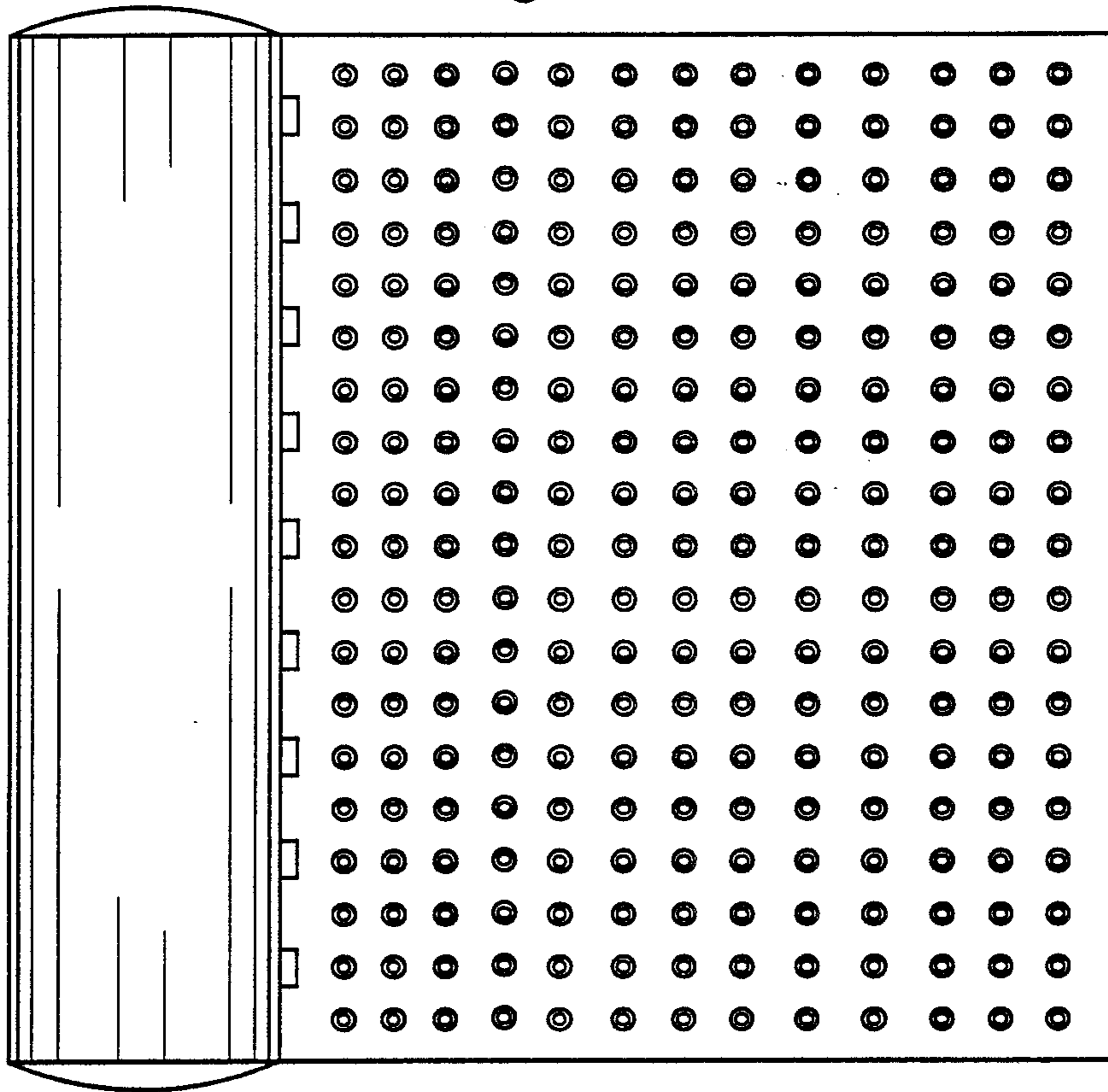


Figure 4

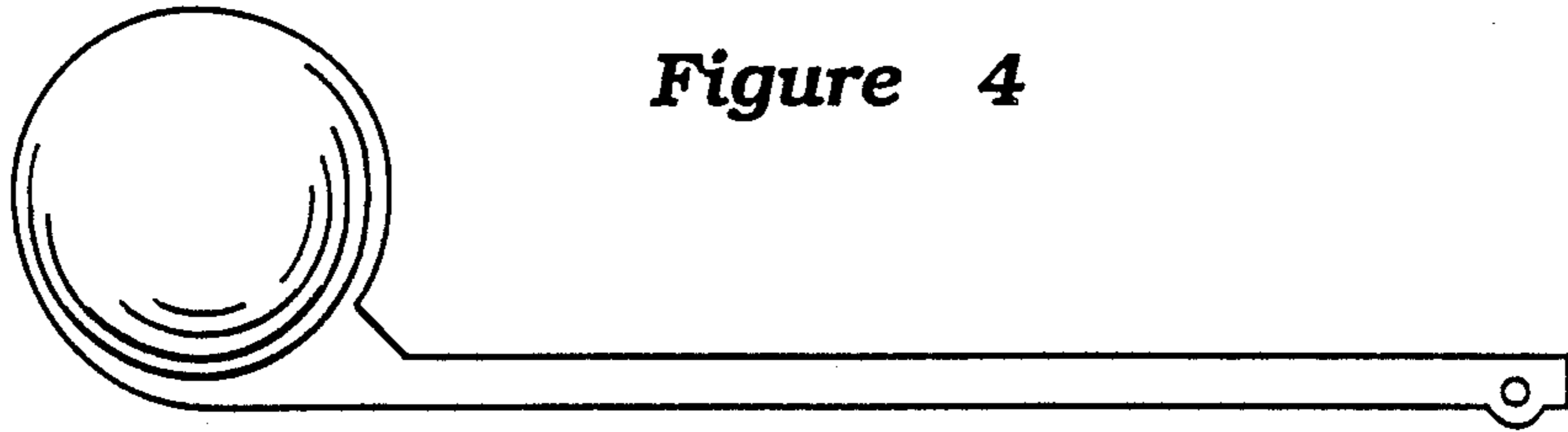


Figure 5

