

United States Patent [19]

Walling

[11] Patent Number: **Des. 312,067**

[45] Date of Patent: **** Nov. 13, 1990**

[54] **RADIAL AEROPLANE**

[76] Inventor: **Henry F. Walling**, Rte. 1 Box 42,
Tennessee Ridge, Tenn. 37178

[*] Notice: The portion of the term of this patent
subsequent to Jul. 13, 2003 has been
disclaimed.

[**] Term: **14 Years**

[21] Appl. No.: **75,003**

[22] Filed: **Jul. 17, 1987**

[52] U.S. Cl. **D12/325; D12/320**

[58] Field of Search **D12/319, 320, 325, 326,
D12/327, 328, 329; 244/12.2, 23 C, 17.11**

[56] **References Cited**

U.S. PATENT DOCUMENTS

2,949,693 8/1960 McRoskey 244/12.2

3,640,485 2/1972 Mutrux 244/12.2

3,690,597 9/1972 DiMartino 244/23 C

4,184,654 1/1980 Herrera 244/12.2

FOREIGN PATENT DOCUMENTS

2263698 7/1973 Fed. Rep. of Germany 244/12.2

Primary Examiner—Kay H. Chin

[57] **CLAIM**

The ornamental design for a radial aeroplane, as shown
and described.

DESCRIPTION

FIG. 1 is a top and front perspective view of a radial
aeroplane showing my new design.

FIG. 2 is a top plan view thereof.

FIG. 3 is a side elevational view thereof, the opposite
side elevational view being a mirror image of that
shown.

FIG. 4 is a bottom plan view thereof.

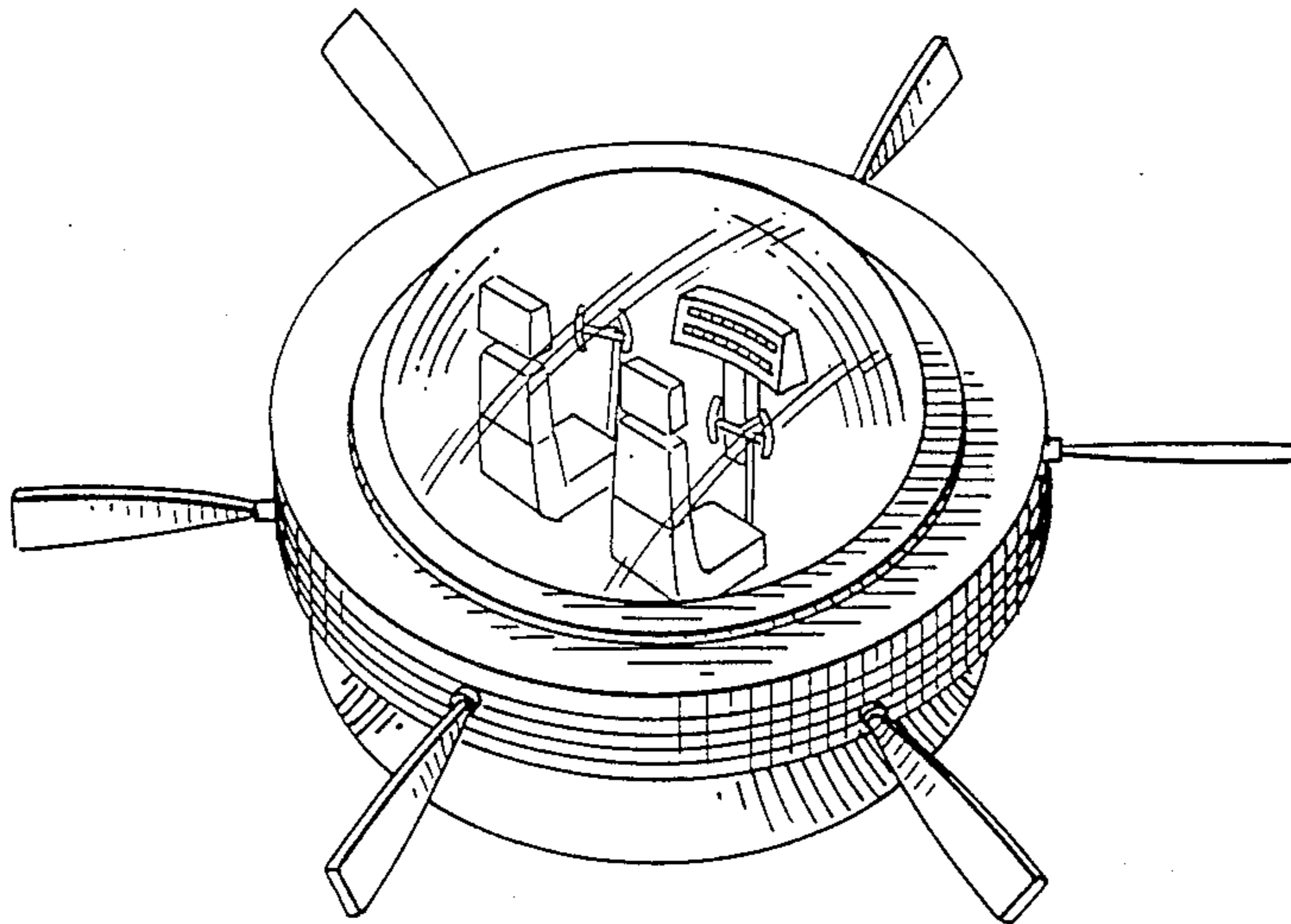


FIG. 1

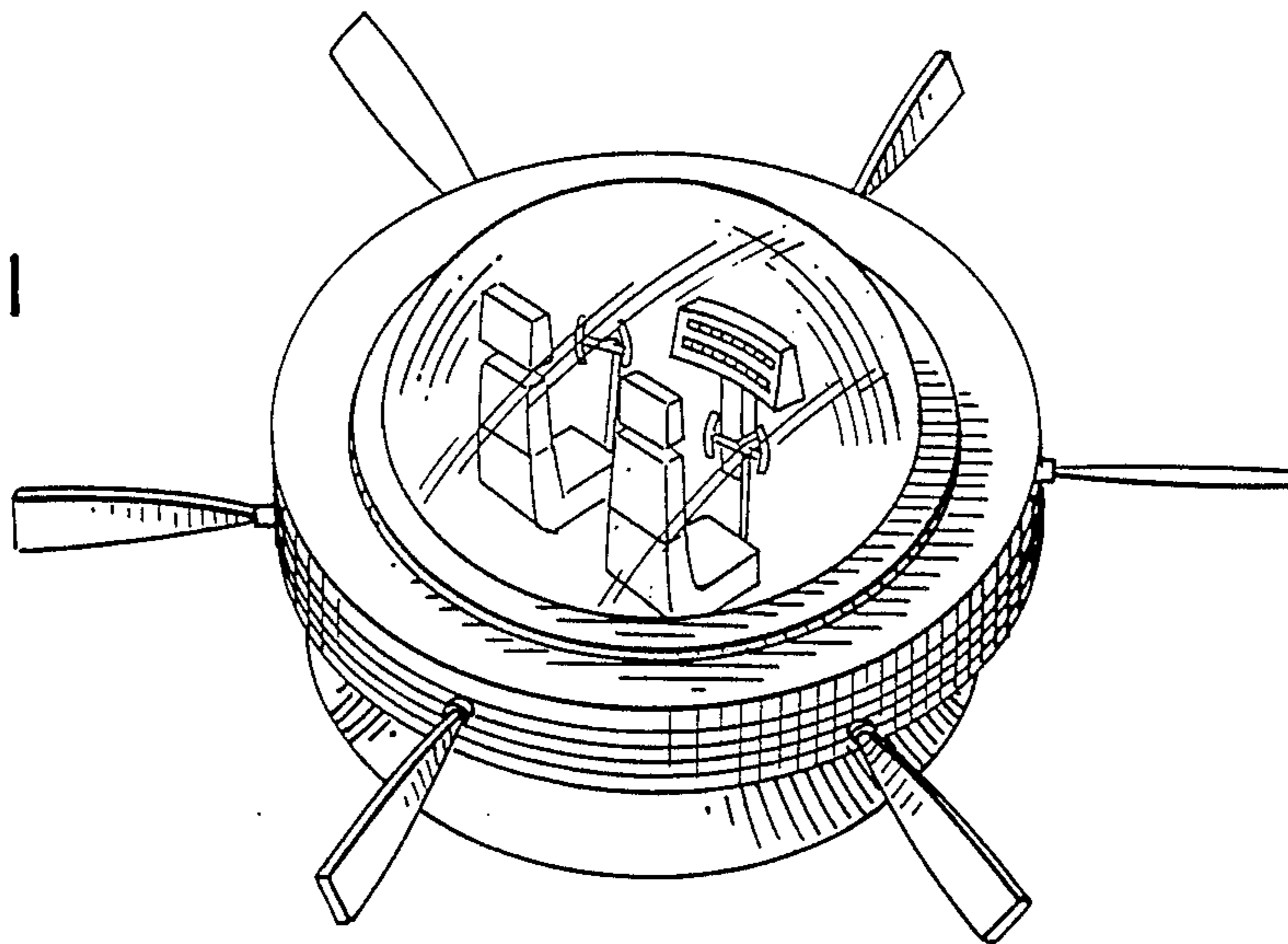


FIG. 2

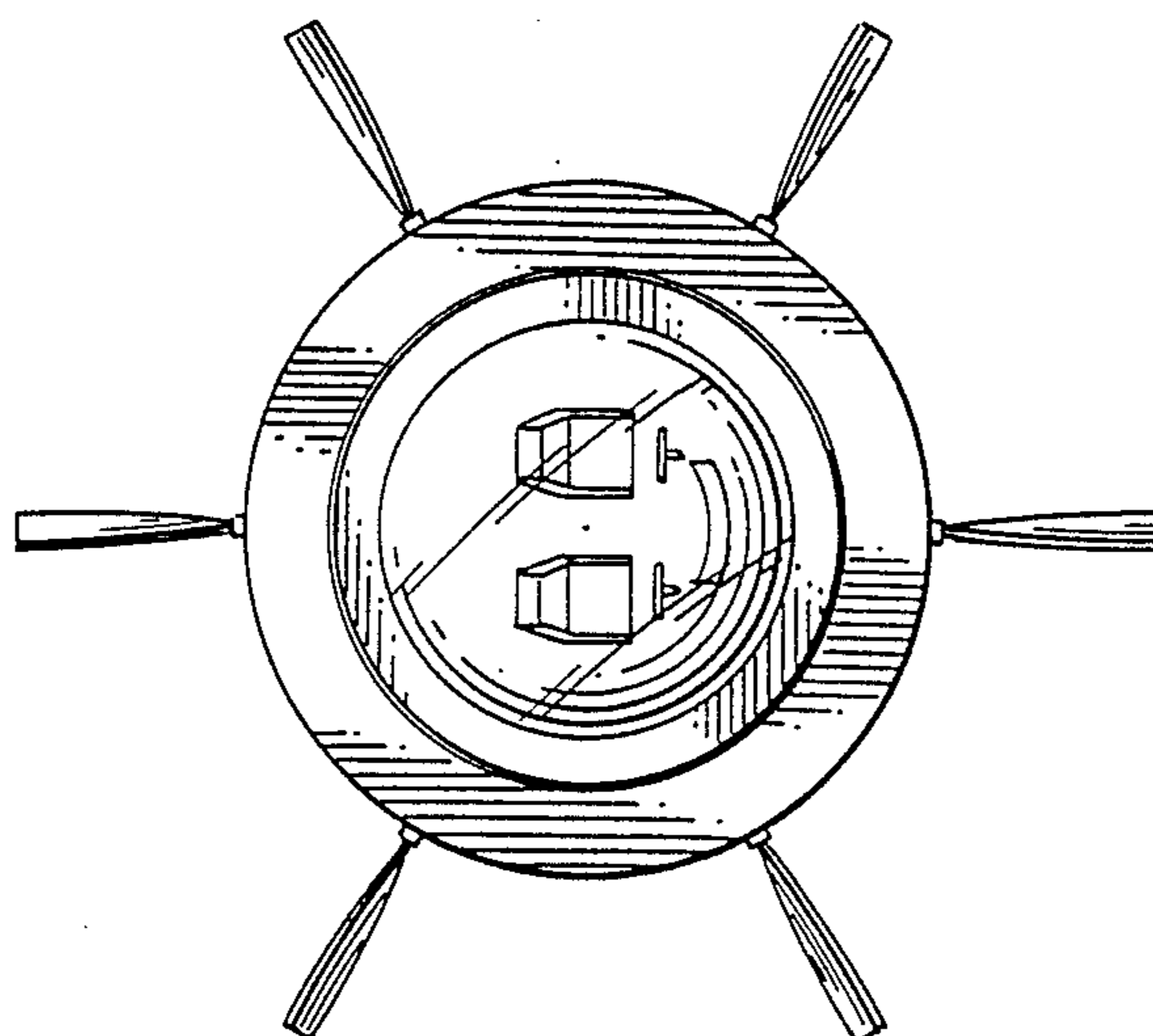
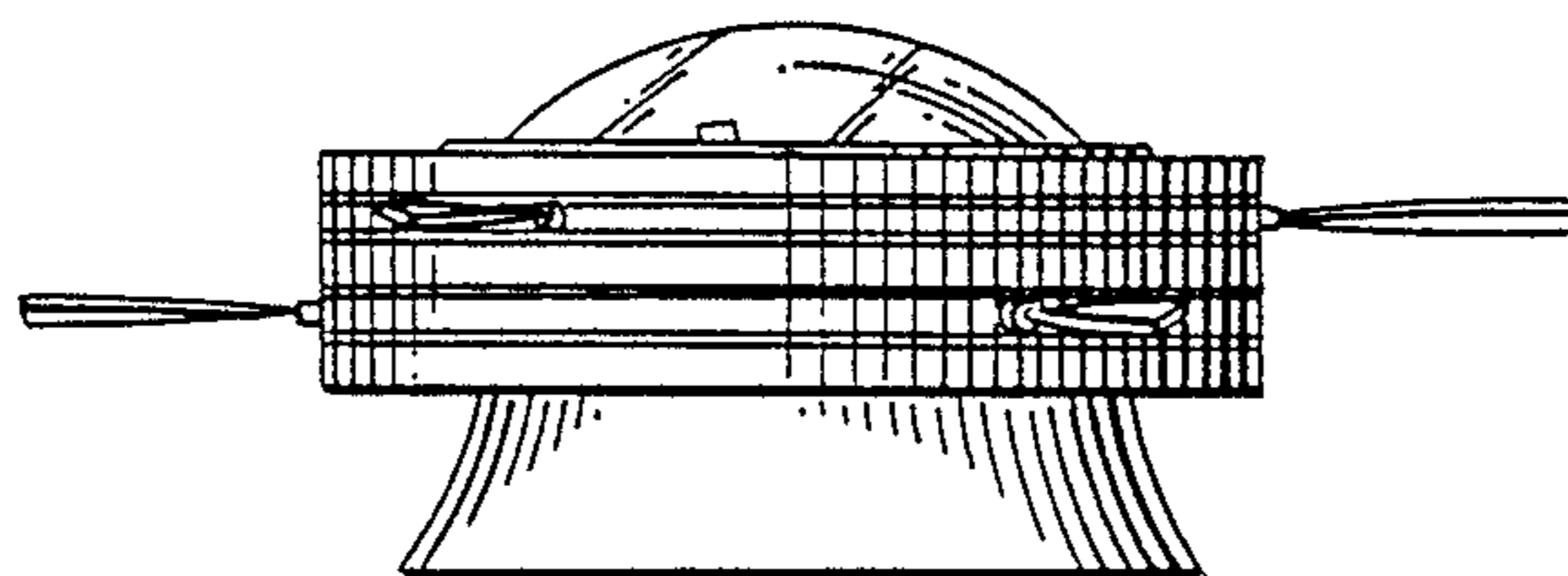


FIG. 3



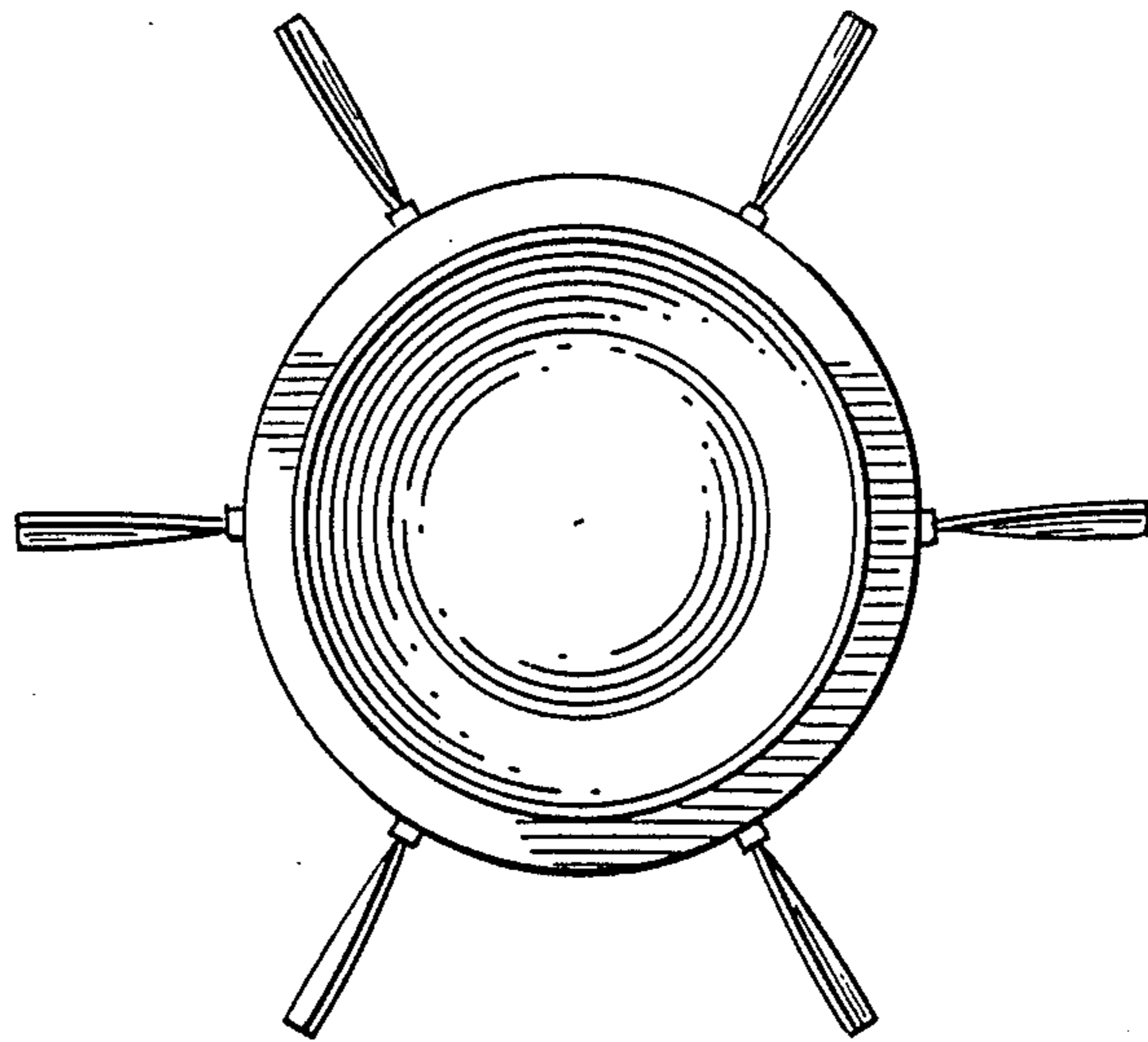


FIG. 4