

[54] HOLDER FOR DECALS FOR USE ON AUTOMOBILES

[76] Inventor: Mario E. Fabbrini, P.O. Box 6035, Oceanside, Calif. 92056

[**] Term: 14 Years

[21] Appl. No.: 199,587

[22] Filed: May 27, 1988

[52] U.S. Cl. D12/193; D20/42

[58] Field of Search D20/10, 13, 22, 23, D20/27, 29, 42, 44, 17; 40/638, 642, 643, 644, 591, 592, 593, 594, 606, 611; D12/193

[56] References Cited

U.S. PATENT DOCUMENTS

96,637	8/1935	Adams, Jr.	D20/17
D. 163,421	5/1951	Rothman	D12/193
D. 247,962	5/1978	Hunter	D12/193
D. 273,827	5/1984	Bowers	D20/10
2,211,923	8/1940	Dittmar	D12/193

4,730,404 3/1988 Utsch 40/611

Primary Examiner—Wallace R. Burke

Assistant Examiner—Marcus Jackson

Attorney, Agent, or Firm—John J. Murphey

[57] CLAIM

The ornamental design of holder for decals for use on automobiles, substantially as shown and described.

DESCRIPTION

FIG. 1 is a top plan view of a holder for decals for use on automobiles showing my new design with the bottom being a mirror image thereof, and with the adhesive cover paper partially removed for clarity of illustration; FIG. 2 is a front elevational view thereof; FIG. 3 is a right side elevational view, with the left side being a mirror image thereof; FIG. 4 is a rear elevational view thereof with the adhesive cover paper partially removed for clarity of illustration; and FIG. 5 is a perspective view of the automobile tag showing my new design.

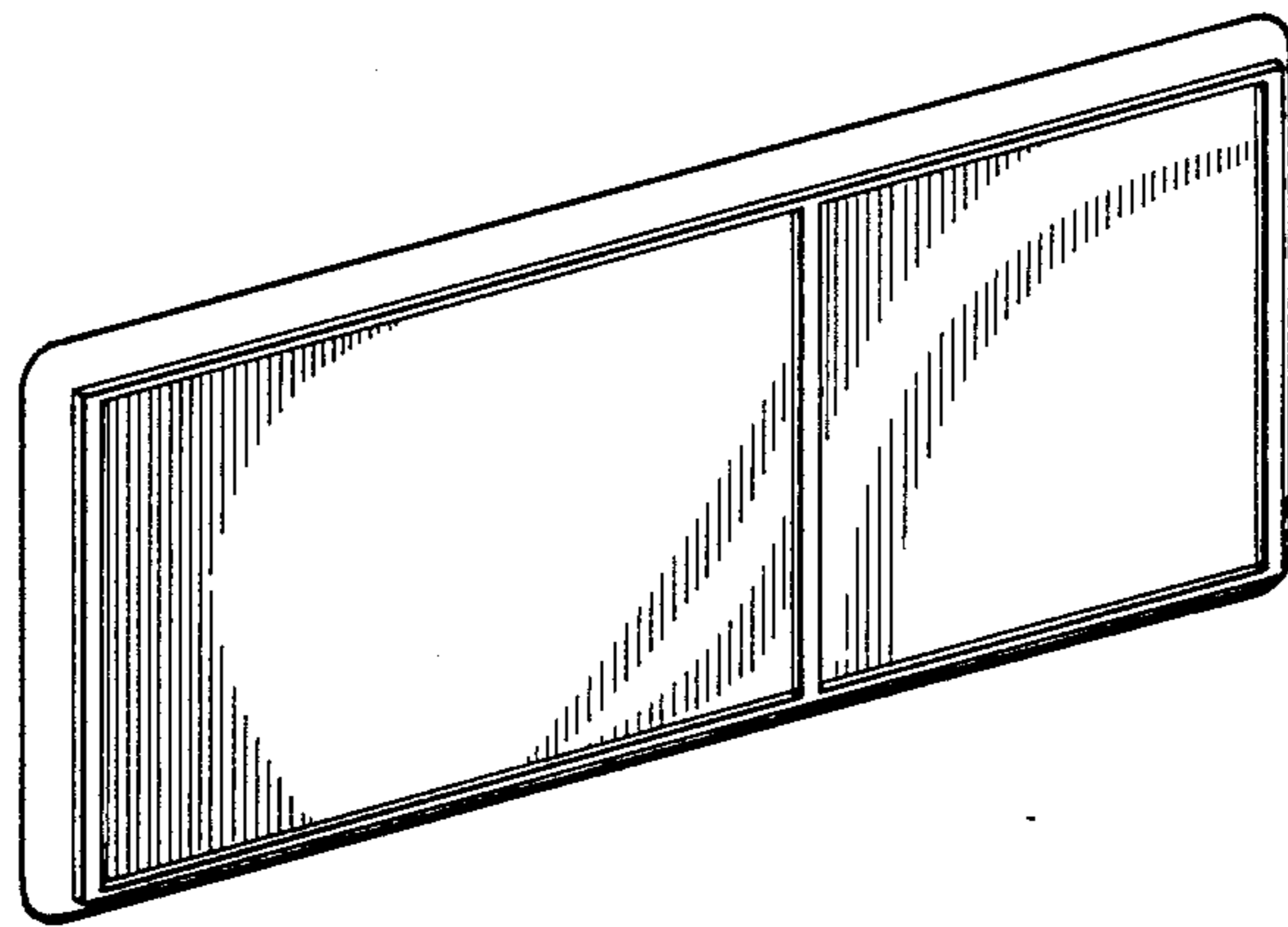




FIG. 1

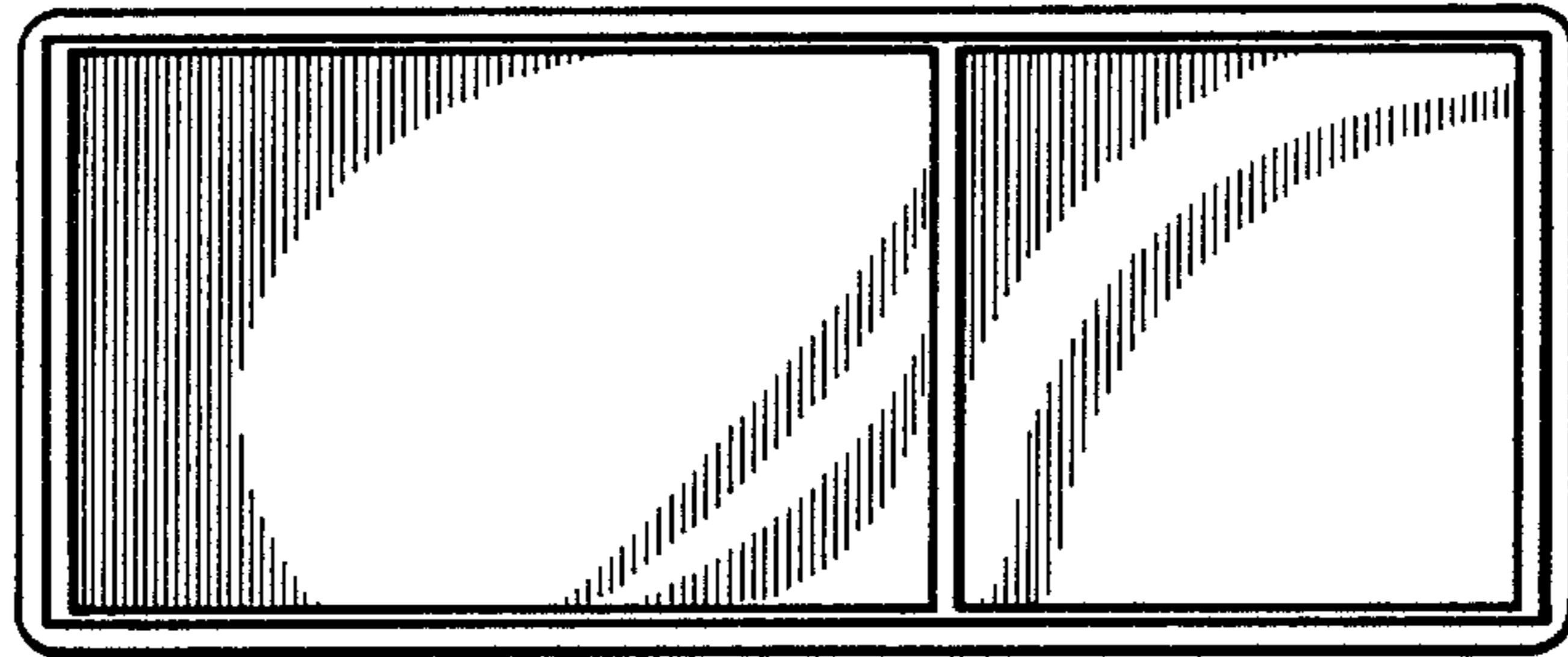


FIG. 2



FIG. 3

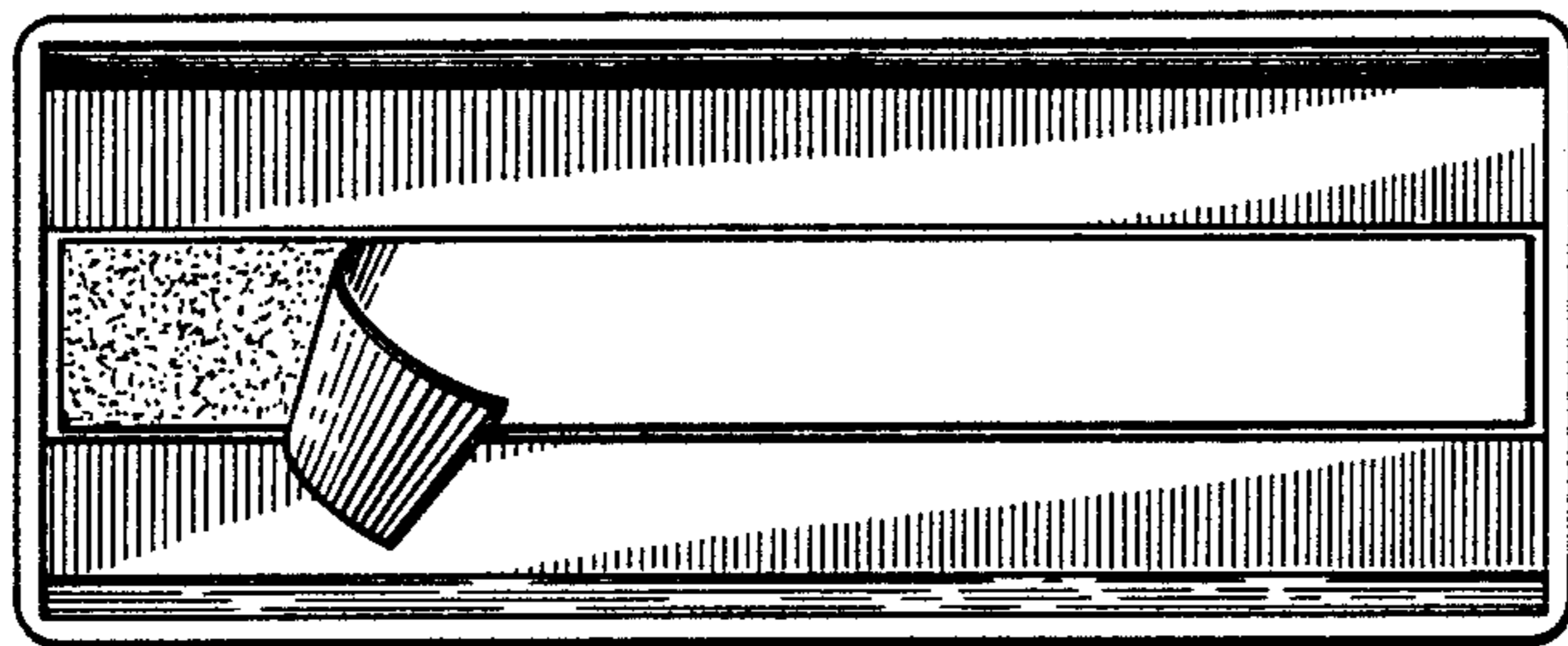


FIG. 4

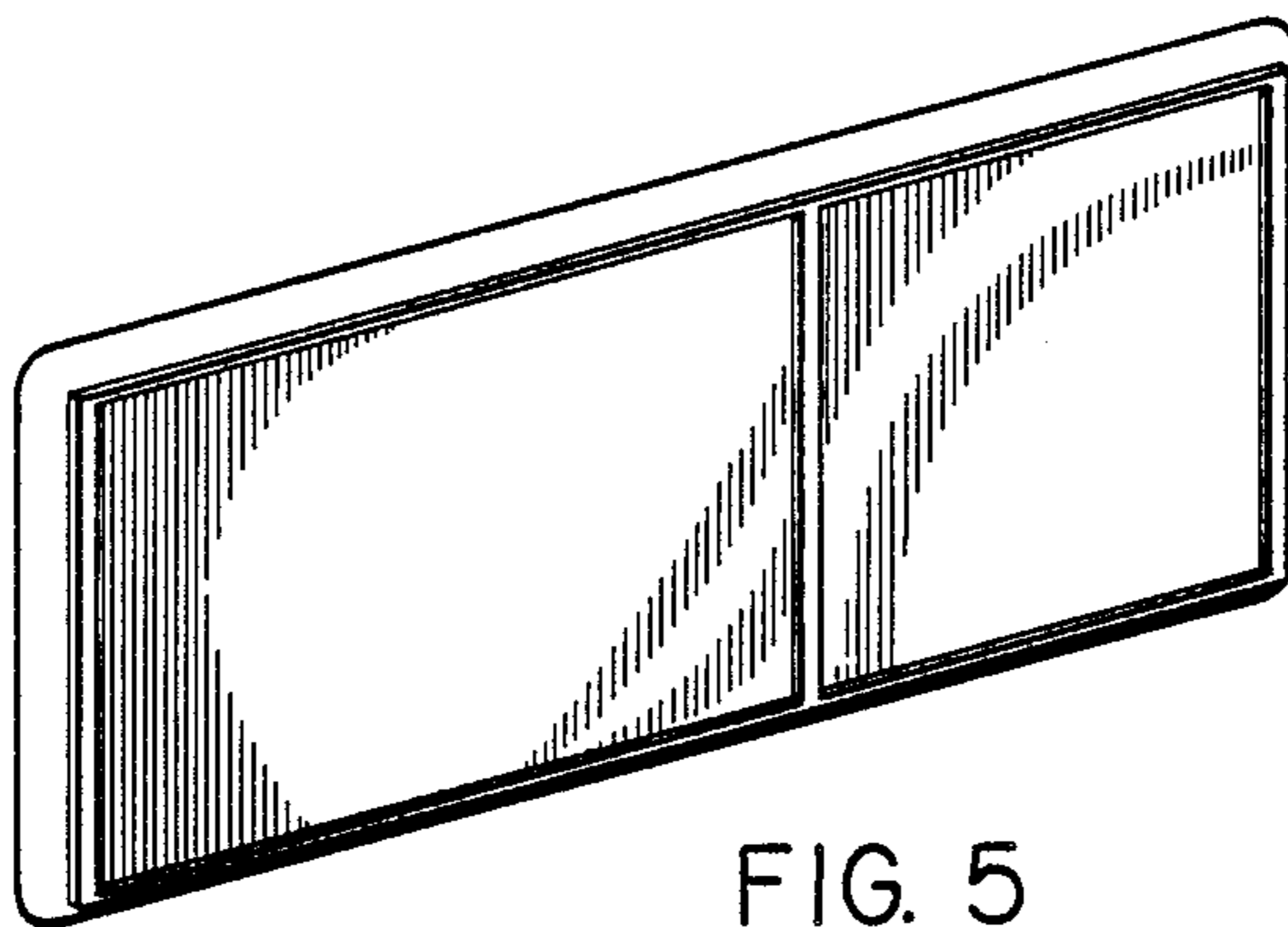


FIG. 5