

[54] DUAL VEHICULAR SIREN-SPEAKER HOUSING

3,240,289 3/1966 Kishi ..... 181/199  
4,436,178 3/1984 Gieger ..... 181/199

[76] Inventor: Marty I. Pilka, 13581 Del Prado Dr. South, Largo, Fla. 34644

Primary Examiner—Wallace R. Burke  
Assistant Examiner—Marcus Jackson  
Attorney, Agent, or Firm—Frijouf, Rust & Pyle

[\*\*] Term: 14 Years

[57] CLAIM

[21] Appl. No.: 184,694

The ornamental design for a dual vehicular siren-speaker housing, as shown and described.

[22] Filed: Apr. 22, 1988

[52] U.S. Cl. .... D10/120

DESCRIPTION

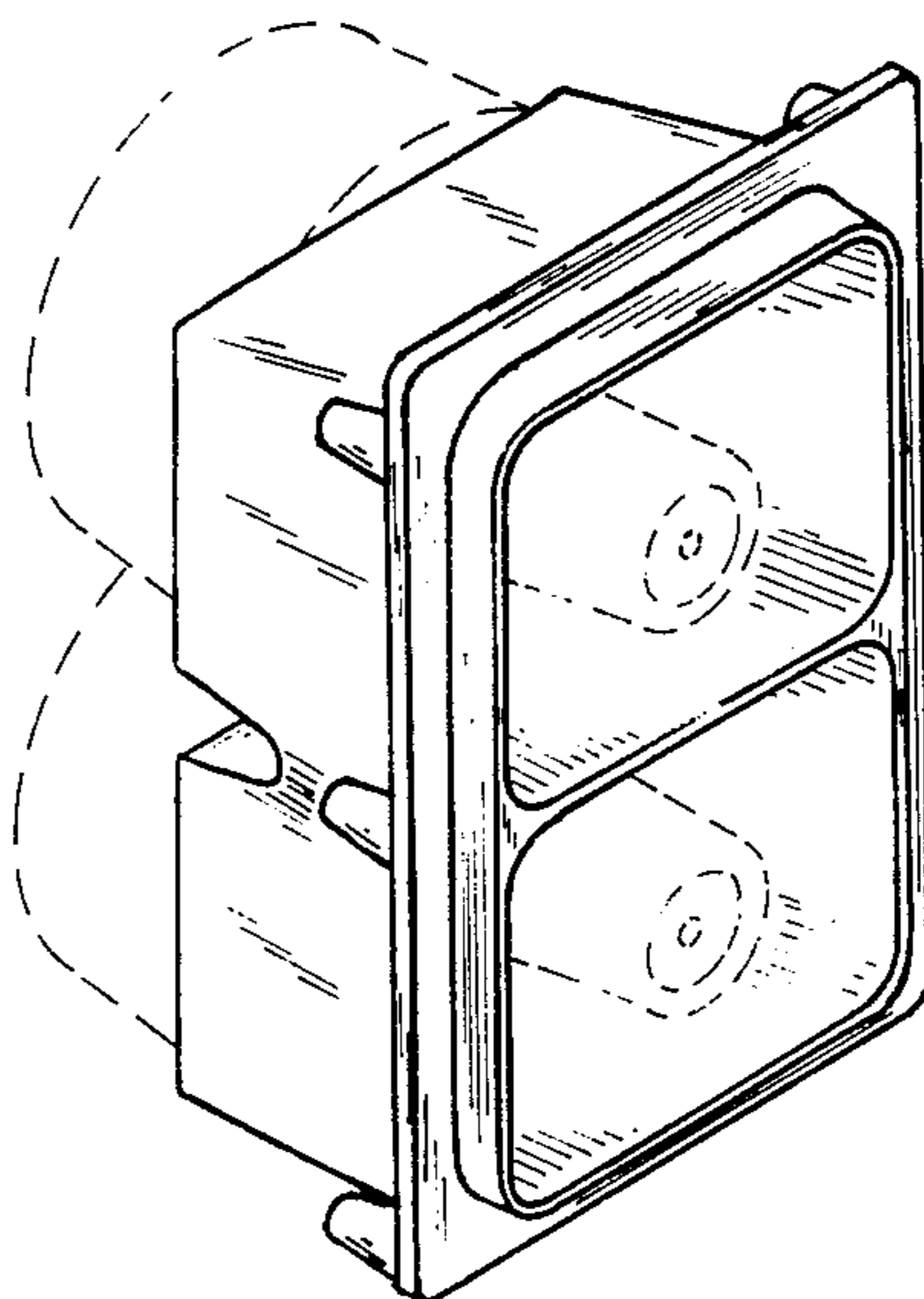
[58] Field of Search ..... D10/104, 120, 121;  
116/147; 340/405; 455/128, 132, 133; 181/198,  
199, 200, 189, 191, 175

FIG. 1 is an isometric view of a dual vehicle siren-speaker housing, showing my new design;  
FIG. 2 is a top plan view thereof;  
FIG. 3 is a front elevational view thereof; and  
FIG. 4 is a left side elevational view, it being understood that the right side view is a mirror image thereof.  
The broken lines showing is for illustrative purposes only and forms no part of the claimed design.

[56] References Cited

U.S. PATENT DOCUMENTS

D. 243,834 3/1977 Leeder ..... D10/120  
D. 292,498 10/1988 Hayashi ..... D10/120



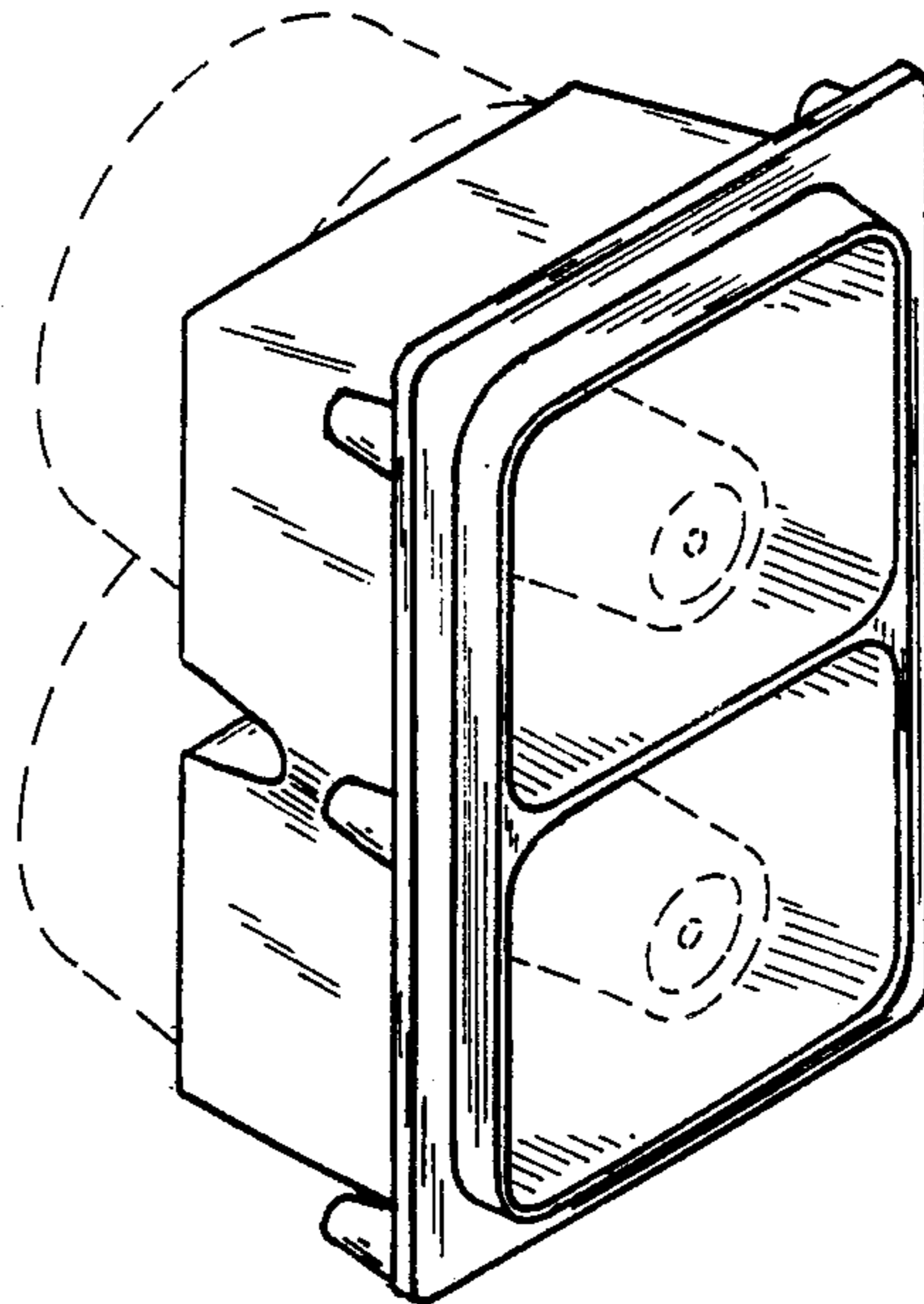


FIG. 1

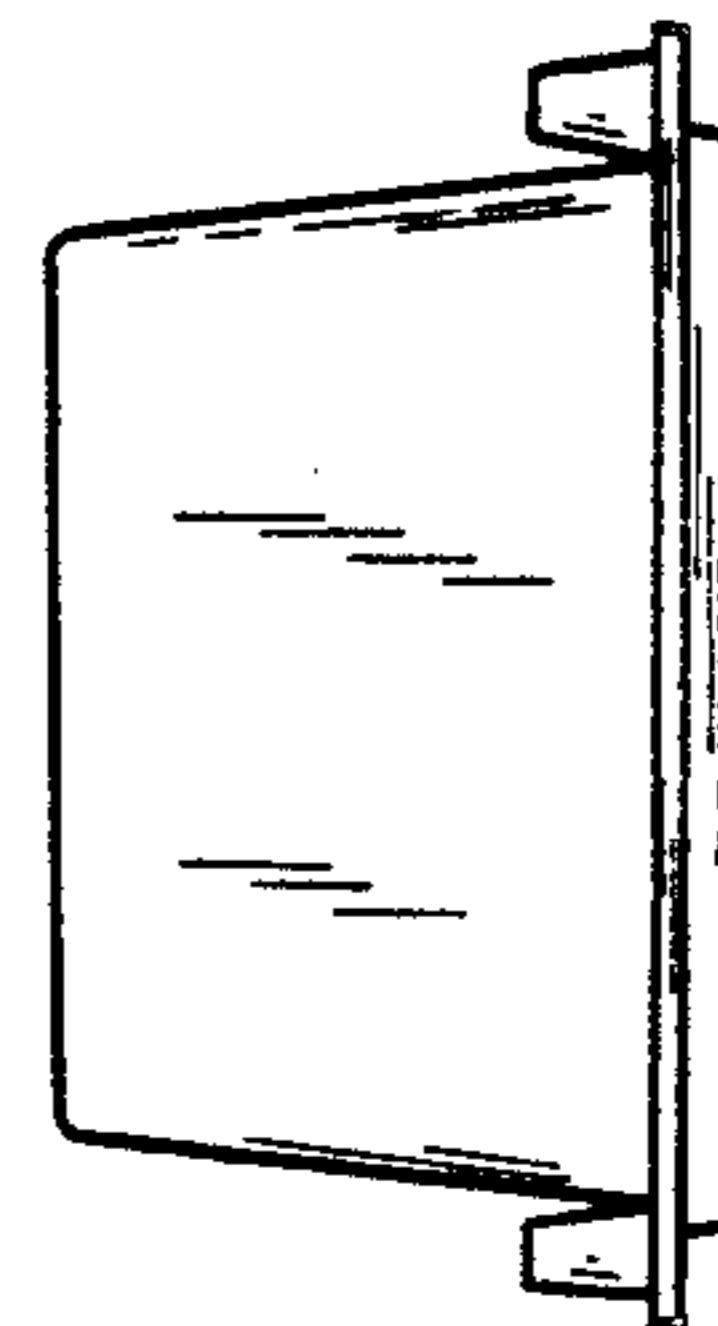


FIG. 2

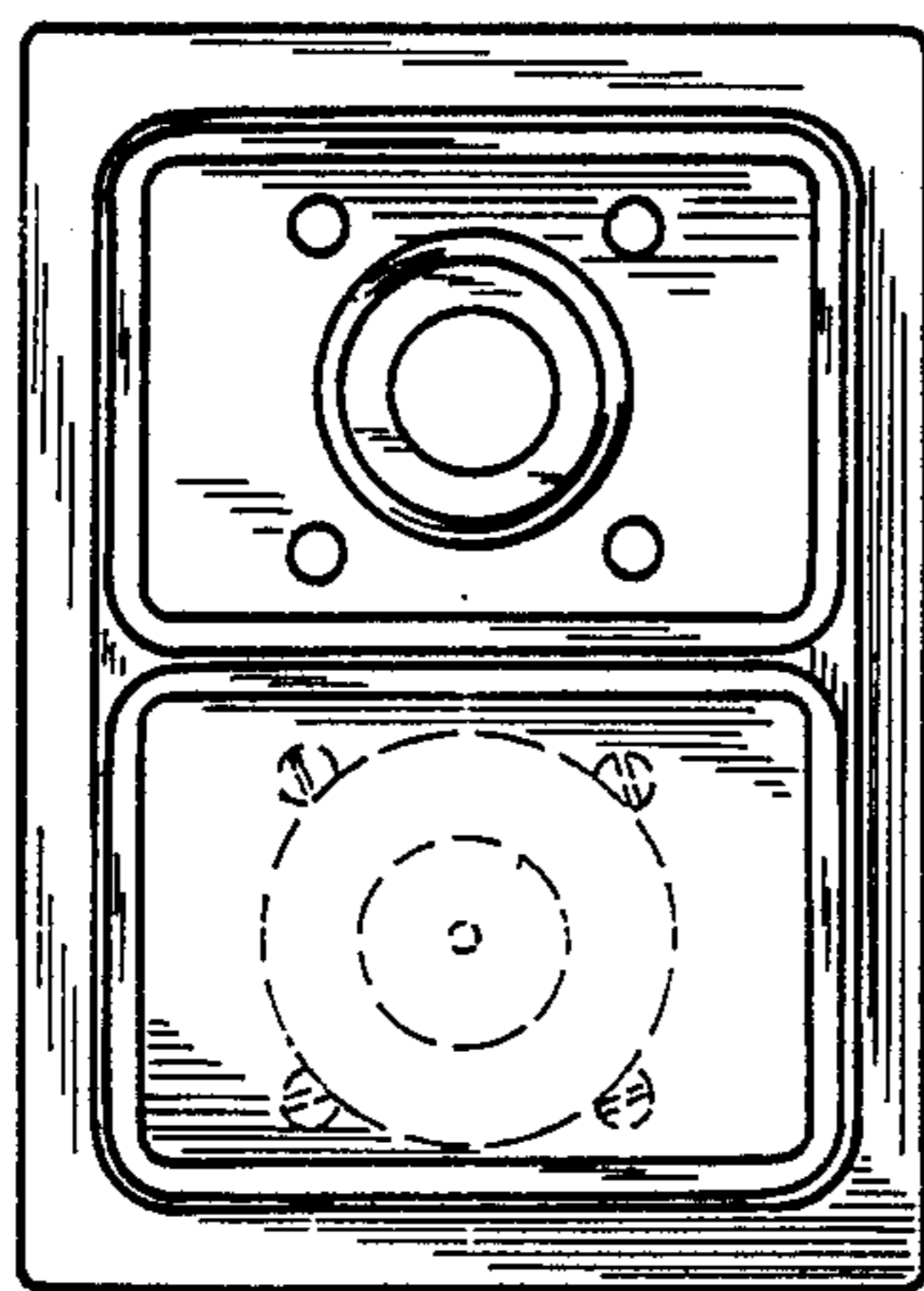


FIG. 3

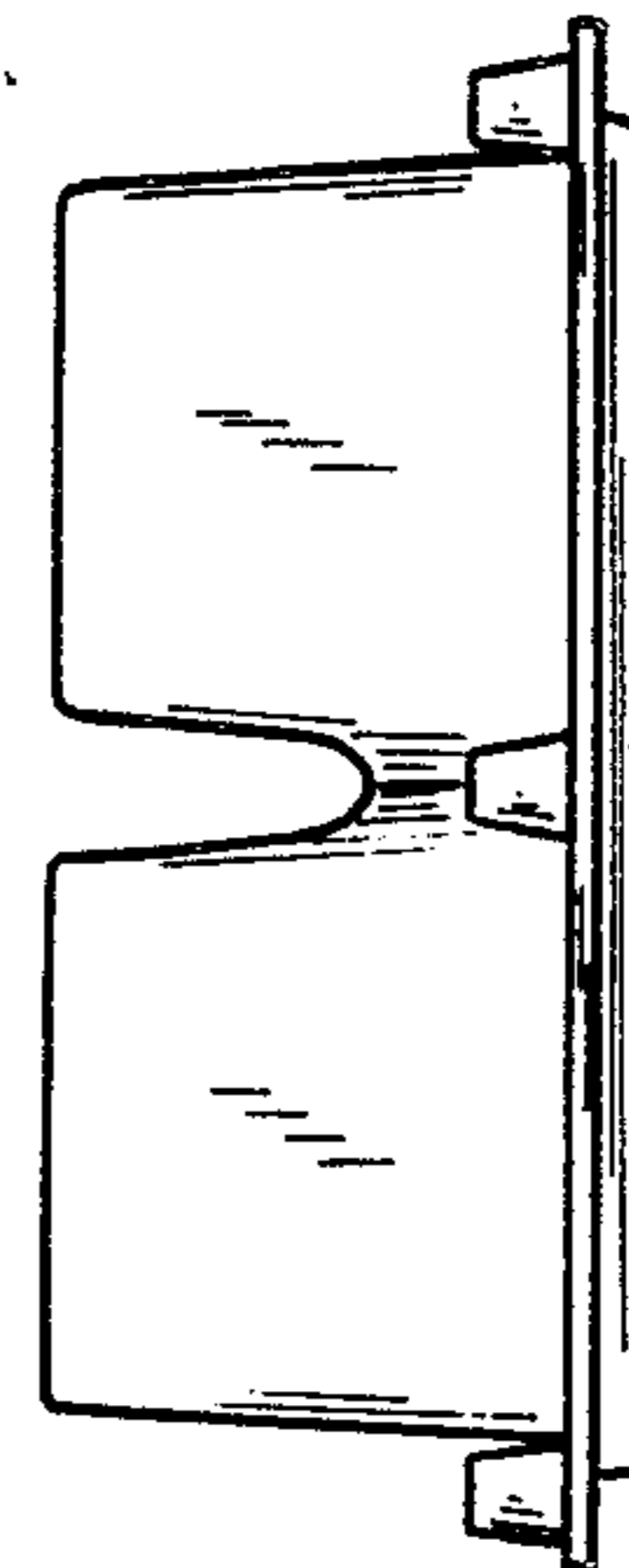


FIG. 4