

[54] CYCLE COMPUTER

[75] Inventor: Robert Read, Bartlett, Ill.

[73] Assignee: Schwinn Bicycle Company, Chicago, Ill.

[**] Term: 14 Years

[21] Appl. No.: 118,360

[22] Filed: Nov. 9, 1987

[52] U.S. Cl. D10/98

[58] Field of Search D10/70, 96, 97, 98; 116/62.1, 62.2, 63.3, 62.4; 200/5 E, 5 R; 235/95 R, 95 A, 95 B, 95 C, 196, 197; 324/160-180; 340/323 R, 134; 365/443, 561, 565

[56] References Cited

U.S. PATENT DOCUMENTS

- D. 278,210 4/1985 Tsuyama D10/98 X
- D. 287,946 1/1987 Tsuyama D10/98
- D. 288,542 3/1987 Tsuyama D10/98
- 4,071,892 1/1978 Genzling 364/443

- 4,633,216 12/1986 Tsuyama 324/174 X
- 4,636,769 1/1987 Tsuyama 324/174 X
- 4,642,606 2/1987 Tsuyama 324/174 X
- 4,741,001 4/1988 Ma 364/561 X

Primary Examiner—Nelson C. Holtje
Assistant Examiner—Antoine D. Davis
Attorney, Agent, or Firm—McCaleb, Lucas & Brugman

[57] CLAIM

The ornamental design for a cycle computer, as shown.

DESCRIPTION

FIG. 1 is a top, front, and right side perspective view of a cycle computer showing my new design, the broken line showing of a bicycle handlebar and wire is for illustrative purposes only and forms no part of the claimed design;

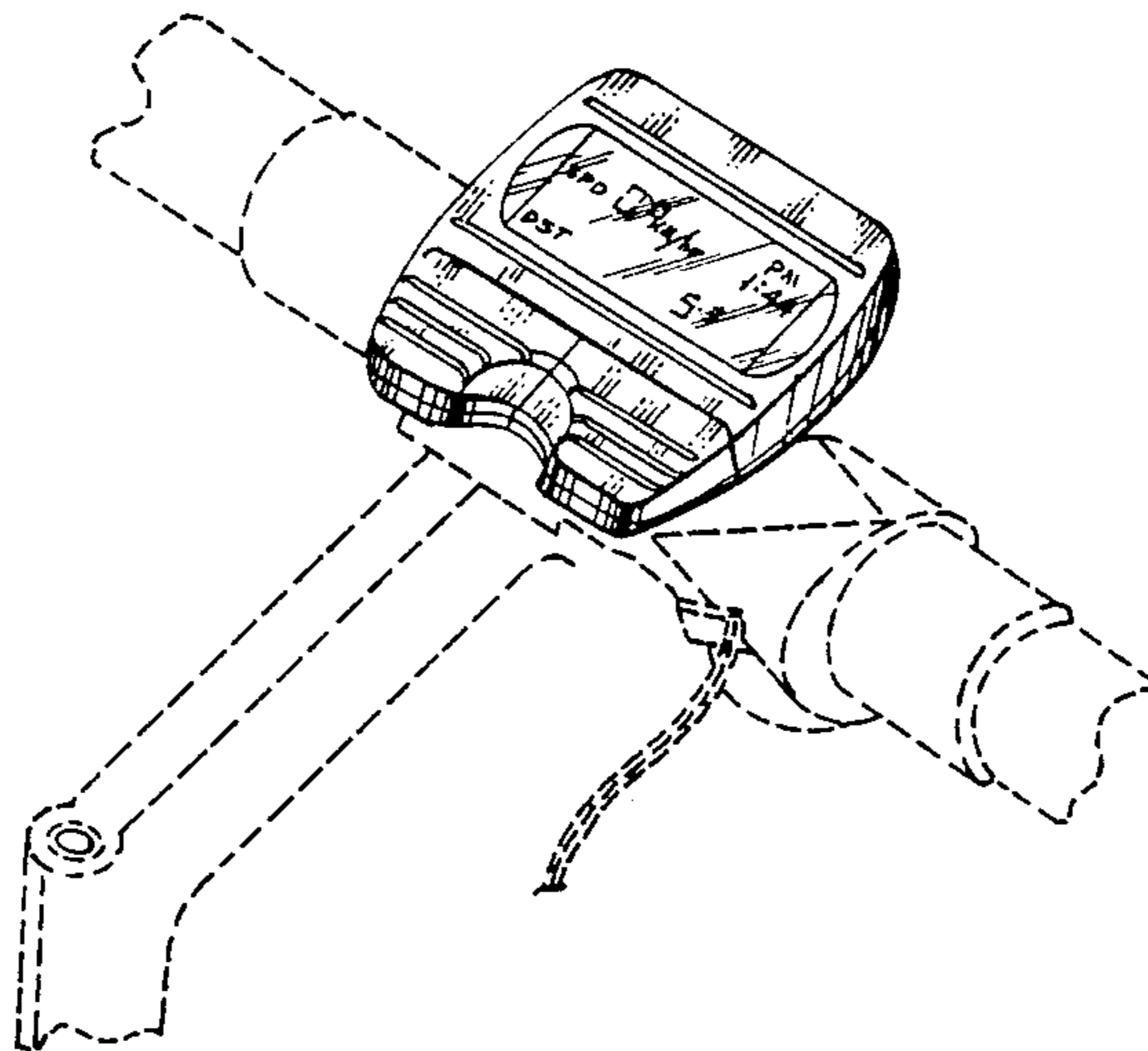
FIG. 2 is a front elevational view;

FIG. 3 is a rear elevational view;

FIG. 4 is a right side elevational view, the left side elevational view being a mirror image;

FIG. 5 is a top plan view; and

FIG. 6 is a bottom plan view thereof.



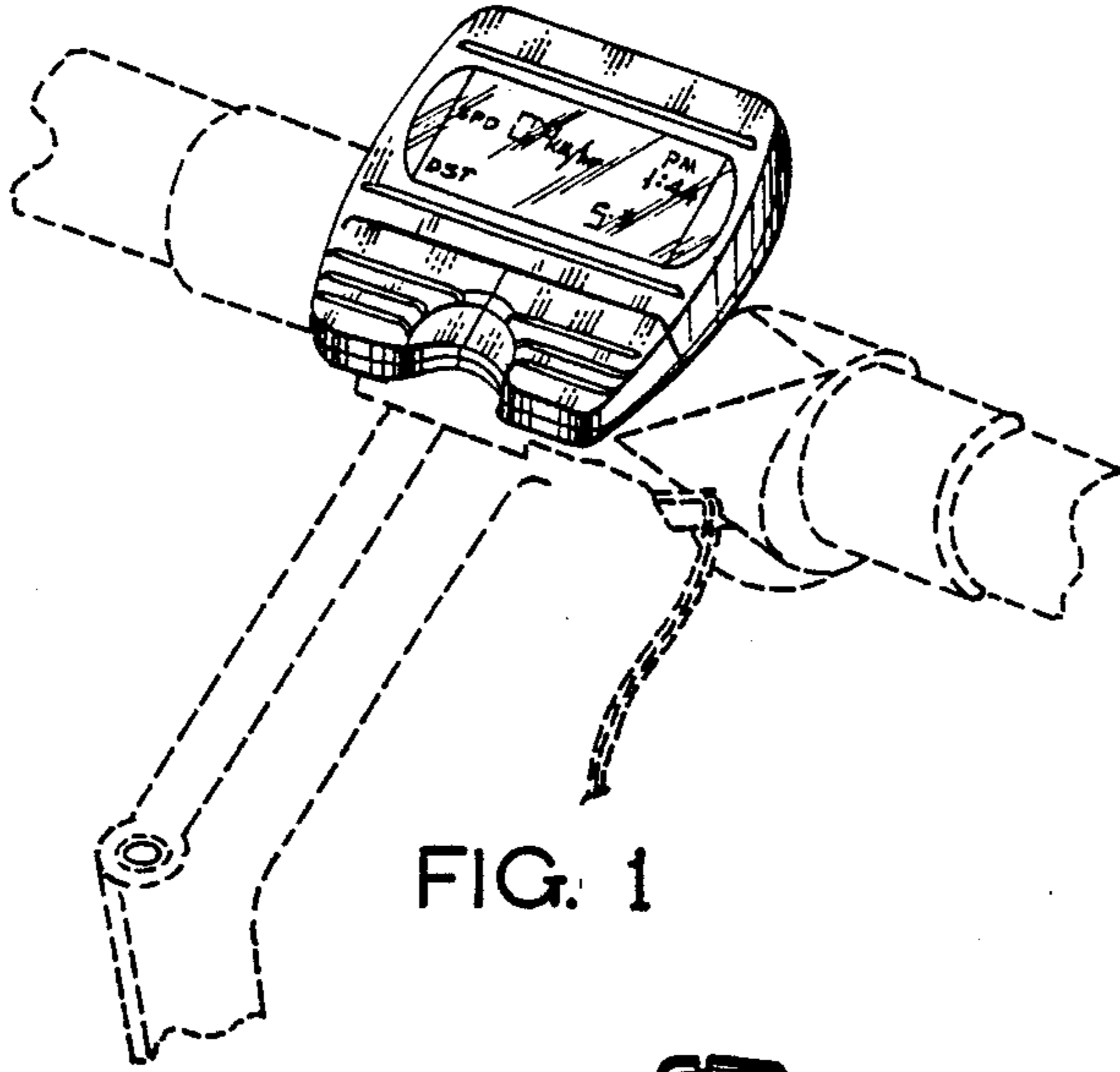


FIG. 1

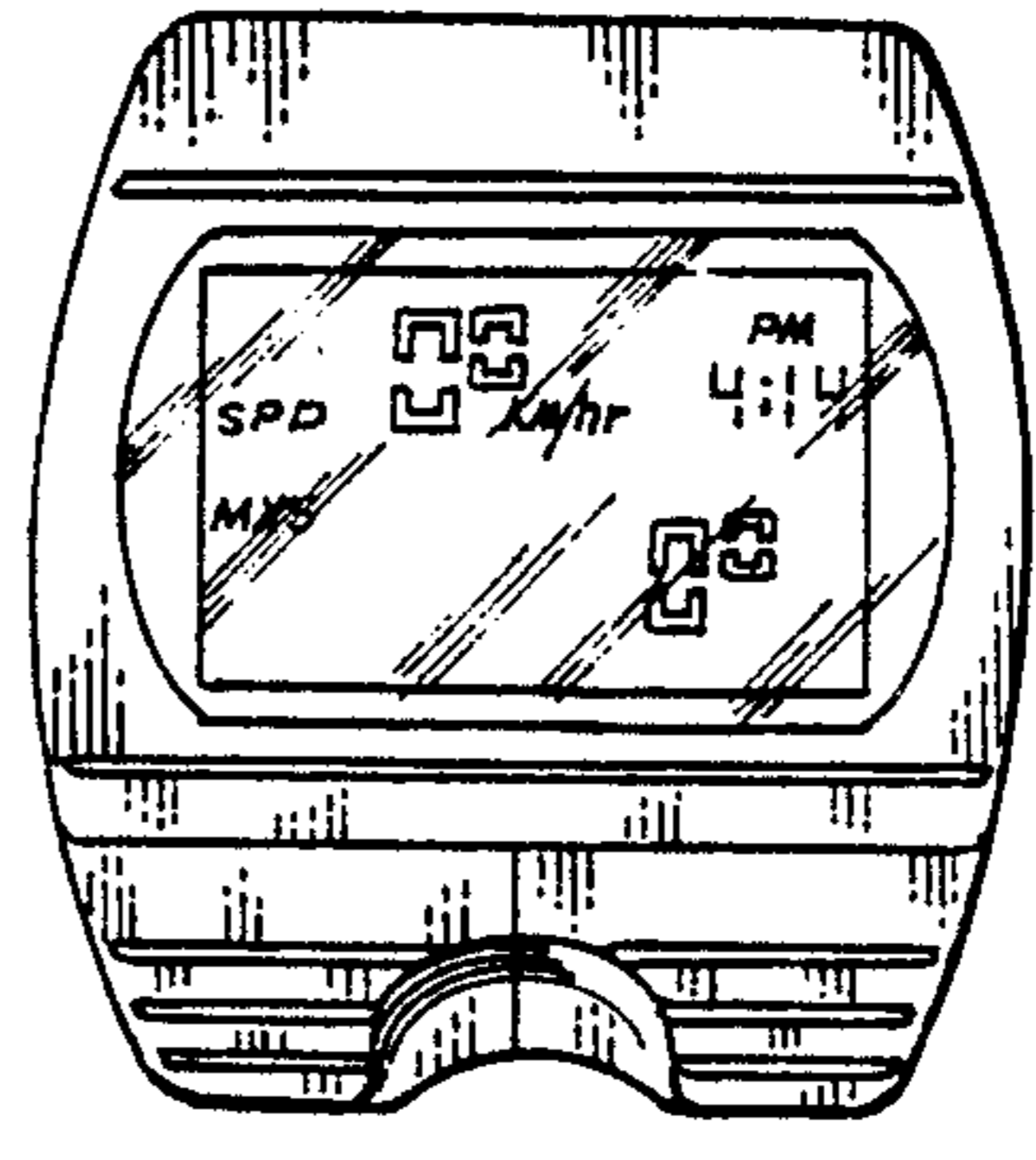


FIG. 2

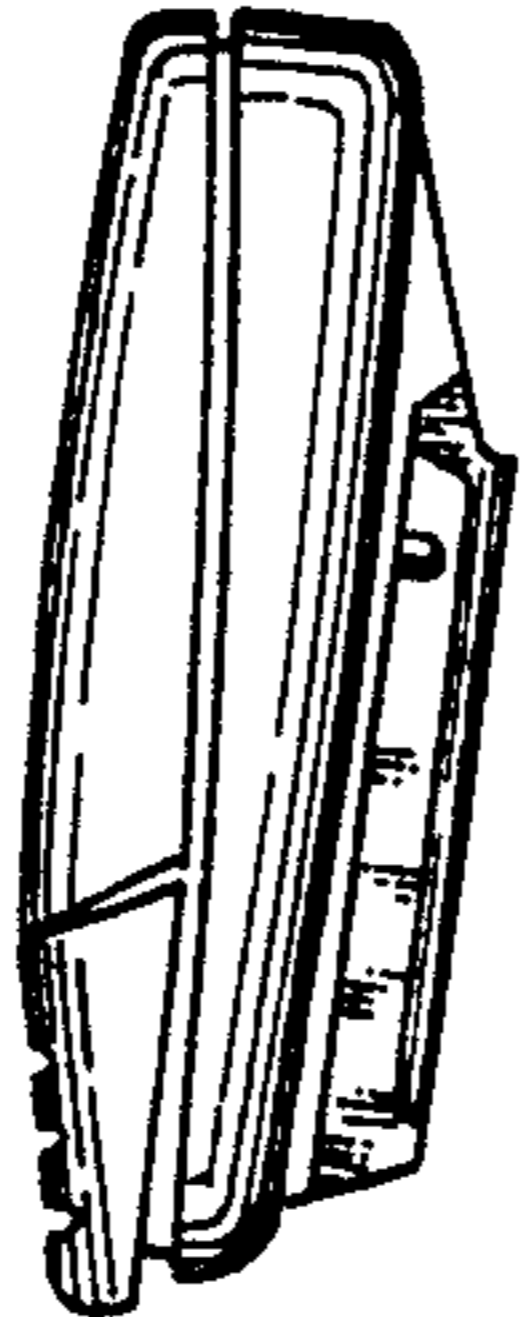


FIG. 4

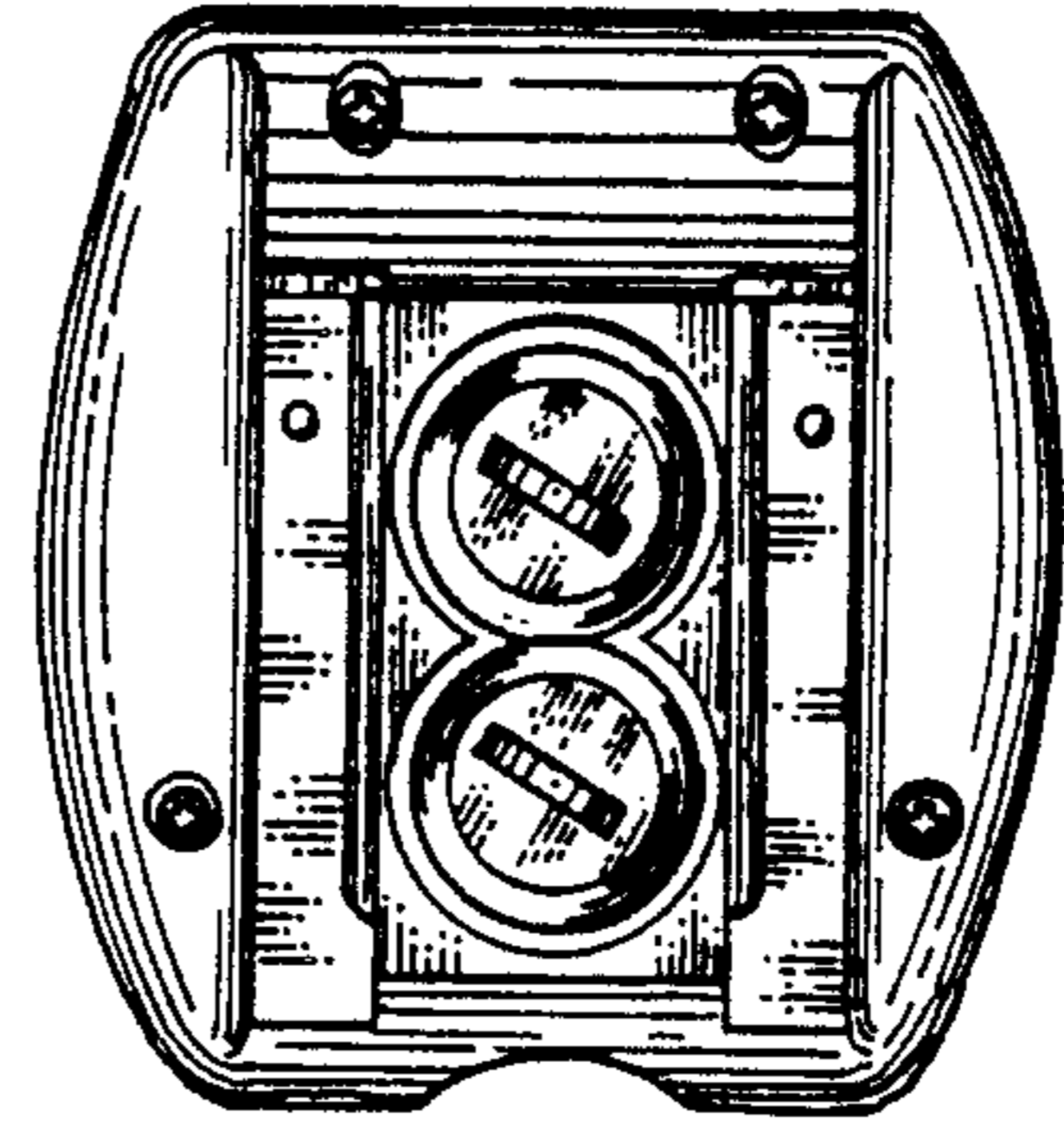


FIG. 3

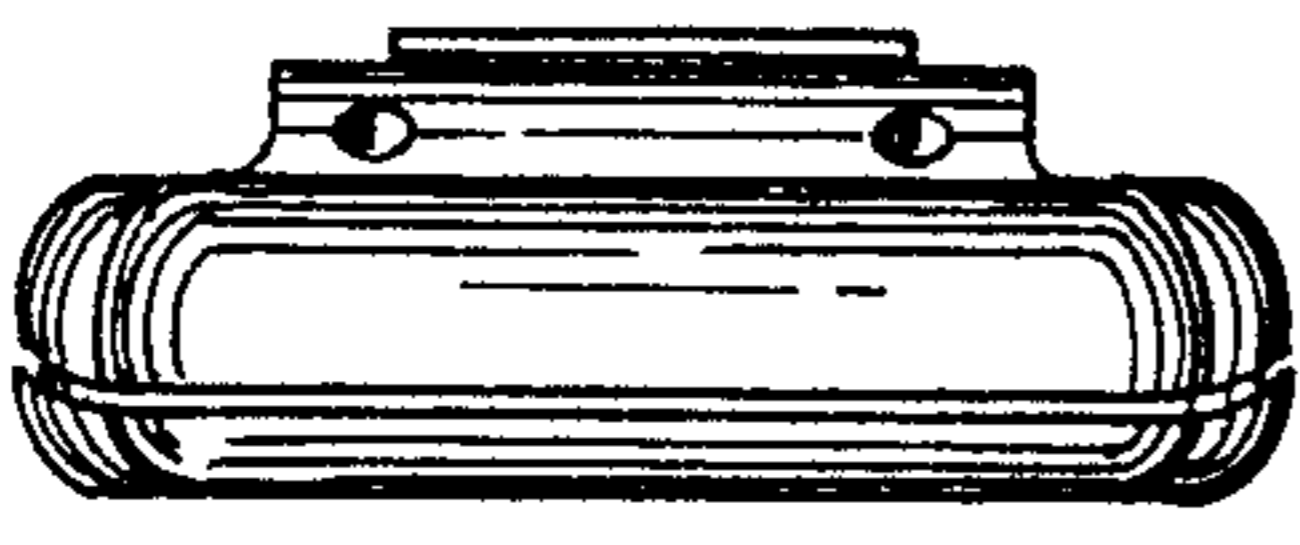


FIG. 5



FIG. 6