

[54] WEIGHING SCALE HAVING A PROTECTIVE ENCLOSURE

[75] Inventor: Erwin Meixner, Volketswil, Switzerland

[73] Assignee: Mettler Instrumente AG, Greifensee, Switzerland

[**] Term: 14 Years

[21] Appl. No.: 110,493

[22] Filed: Oct. 20, 1987

[30] Foreign Application Priority Data

May 14, 1987 [WO] World Int. Prop. O. DM/008648

[52] U.S. Cl. D10/91

[58] Field of Search D10/83, 87, 89, 90, D10/91, 92, 93, 94, 95; 177/180, 181, 182, 238, 239, 240, 241, 242, 243, DIG. 3

[56] References Cited

U.S. PATENT DOCUMENTS

- D. 196,674 10/1963 Rapp et al. D10/89
- D. 242,331 11/1976 Kunz et al. D10/91
- D. 248,928 8/1978 Grunstad D10/91
- D. 250,883 1/1979 Hubson D10/91 X
- D. 296,307 6/1988 Knothe et al. D10/91
- 4,632,199 12/1986 Ober et al. 177/238
- 4,798,250 1/1989 Knothe et al. 177/238 X

FOREIGN PATENT DOCUMENTS

533849 11/1956 Canada 177/181

OTHER PUBLICATIONS

Cole-Palmer, Balances: Laboratory Balances, ©1987 p. 44,45,47,48.

Gottl. Haigis GmbH Sales Brochure.

Primary Examiner—Nelson C. Holtje

Assistant Examiner—Antoine D. Davis

Attorney, Agent, or Firm—Laubscher, Presta & Laubscher

[57] CLAIM

The ornamental design for a weighing scale having a protective enclosure, as shown.

DESCRIPTION

FIG. 1 is a top, front, and right side perspective view of a weighing scale having a protective enclosure showing my new design, and the transparent shield in an open position;

FIG. 2 is a top, front, and right side perspective view, with the shield in a closed position;

FIG. 3 is a front elevational view;

FIG. 4 is a rear elevational view;

FIG. 5 is a top plan view; and

FIG. 6 is a bottom plan view thereof.

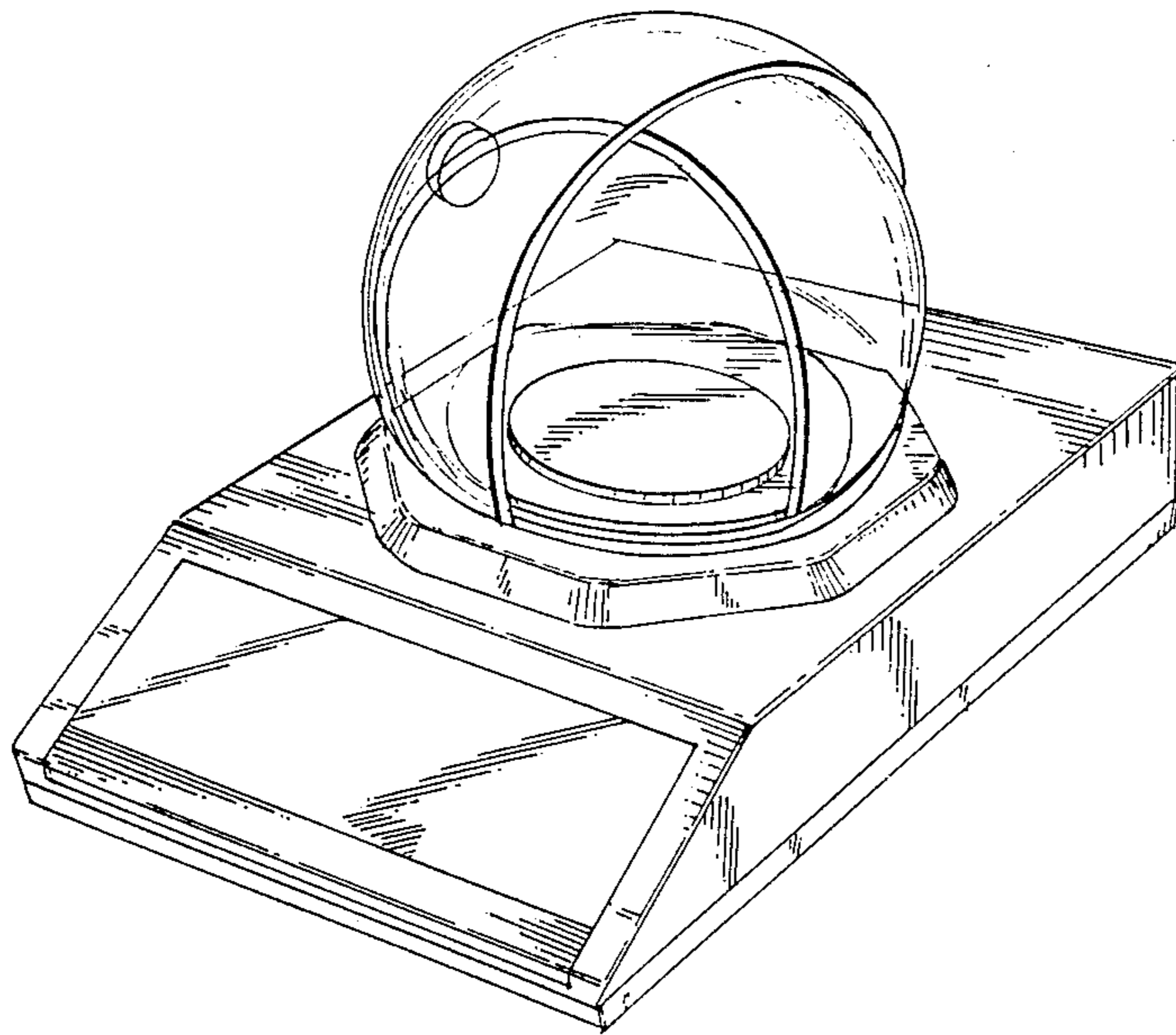


FIG. 1

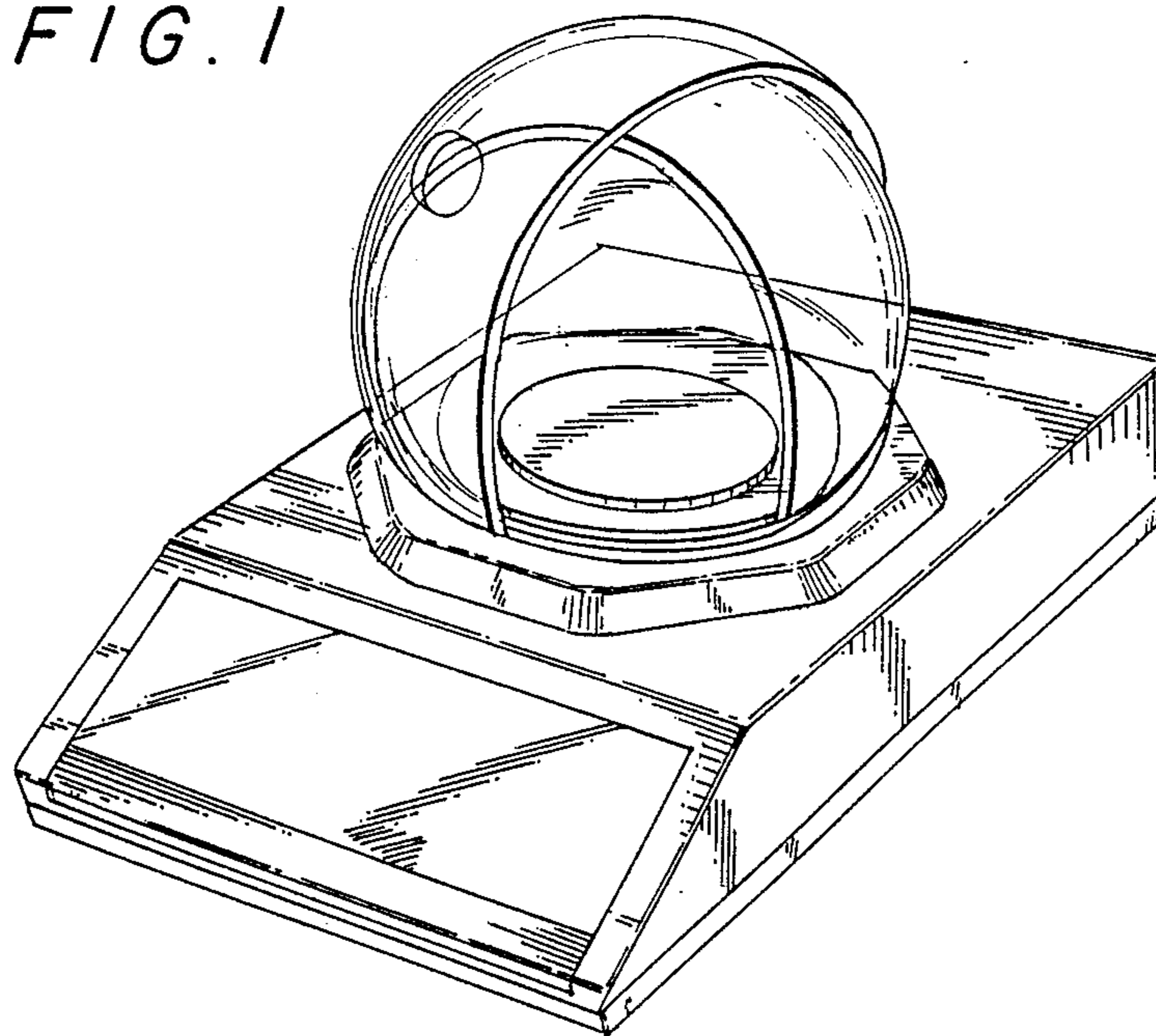


FIG. 2

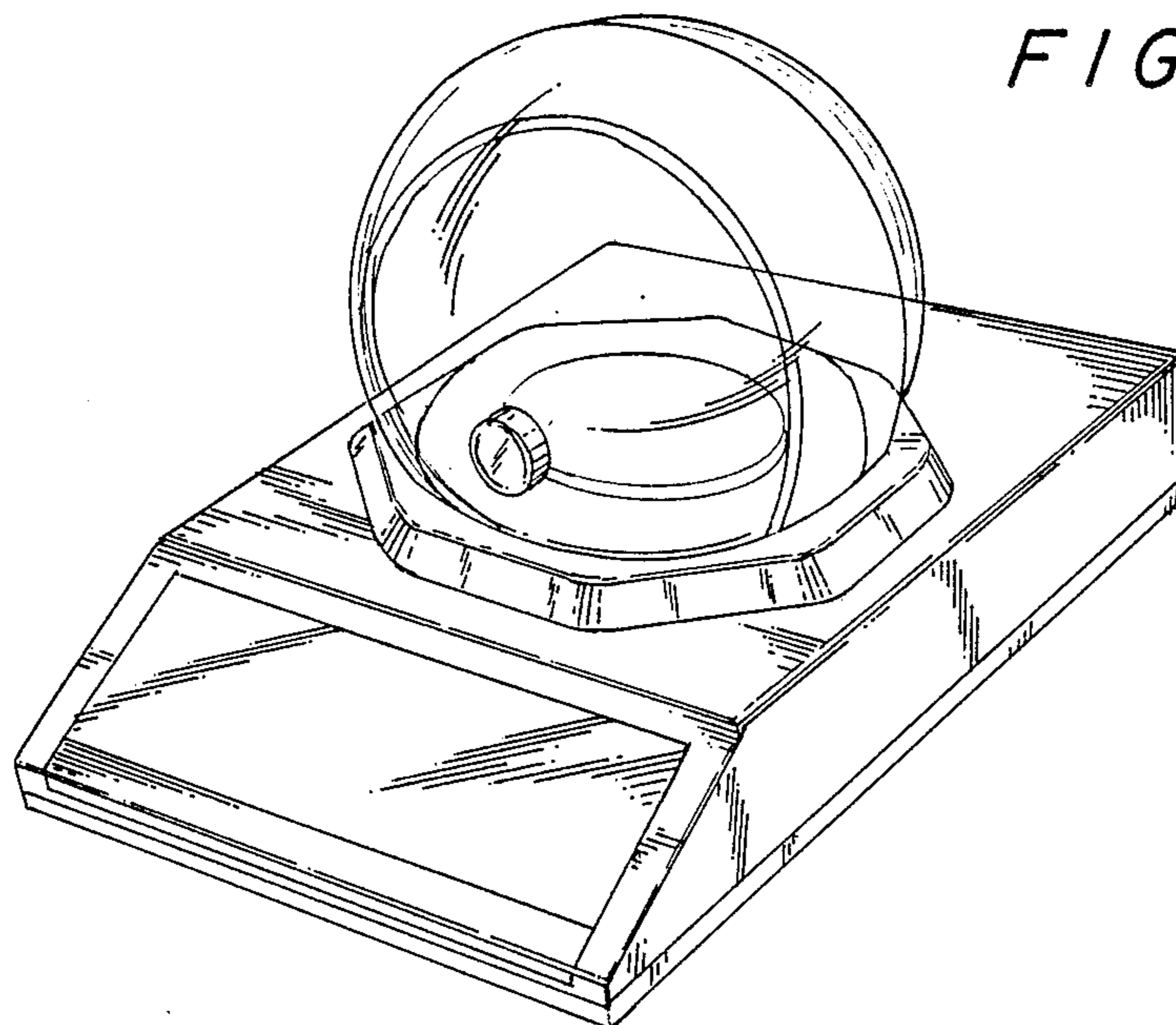


FIG. 3

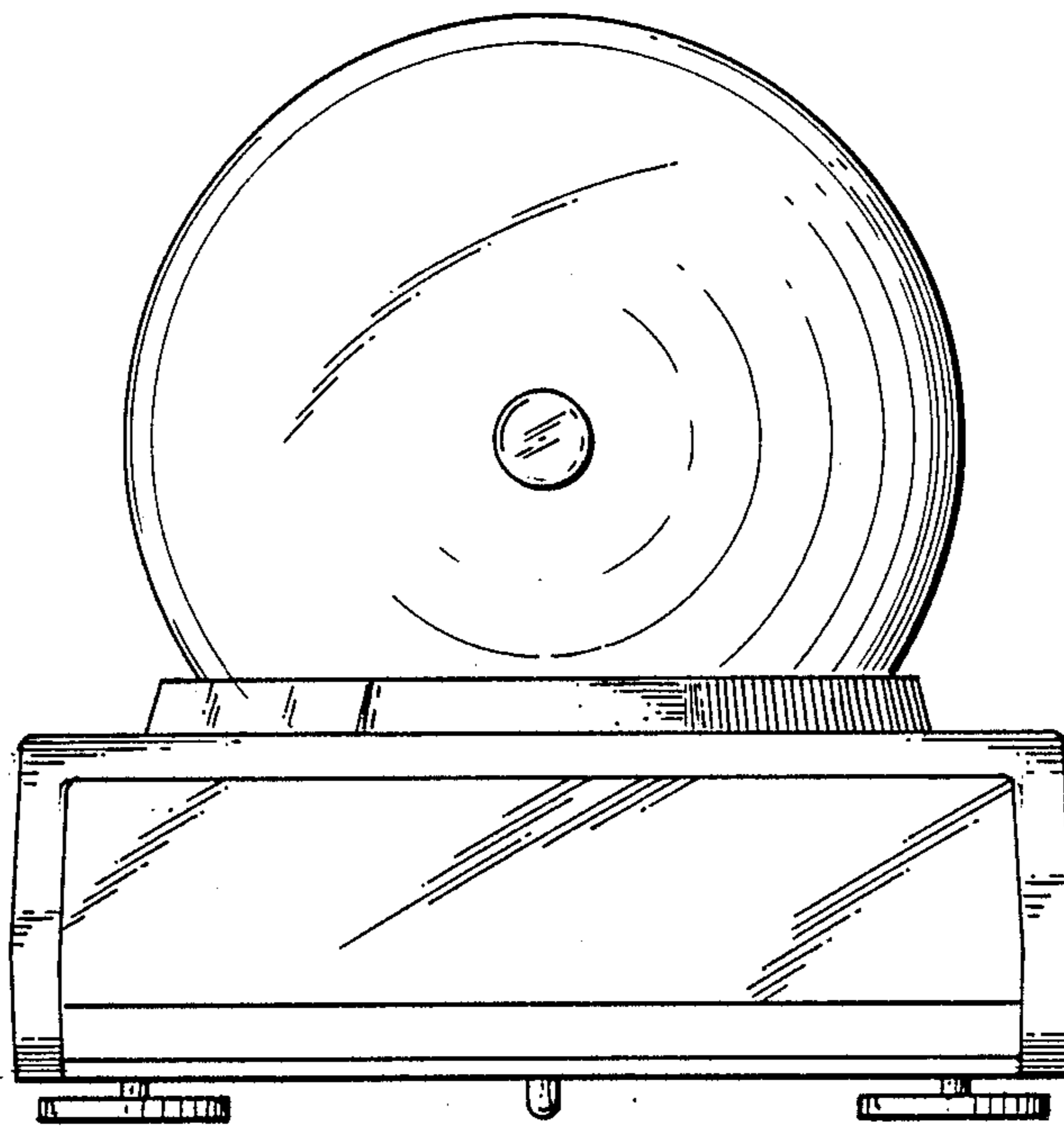
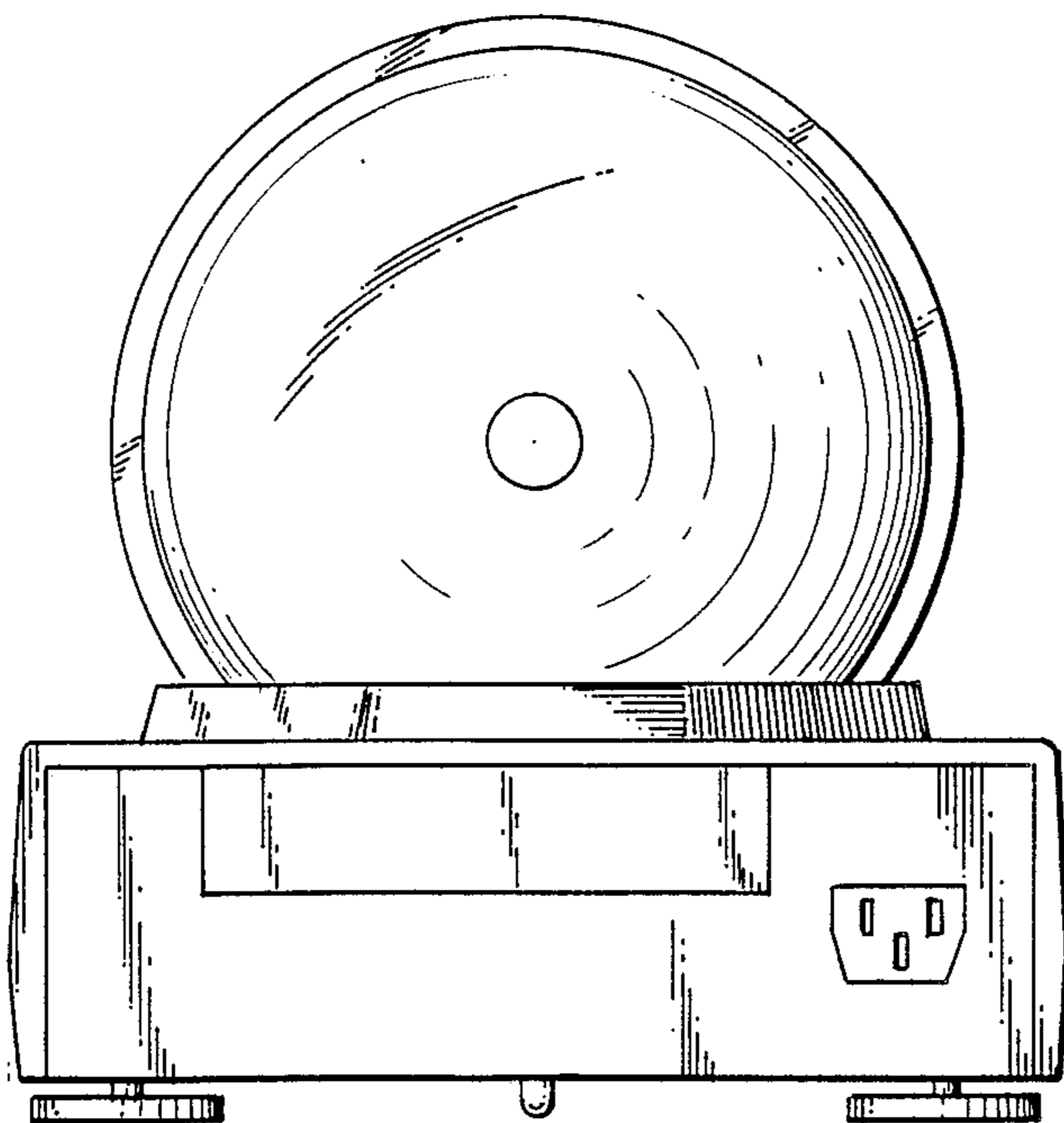


FIG. 4



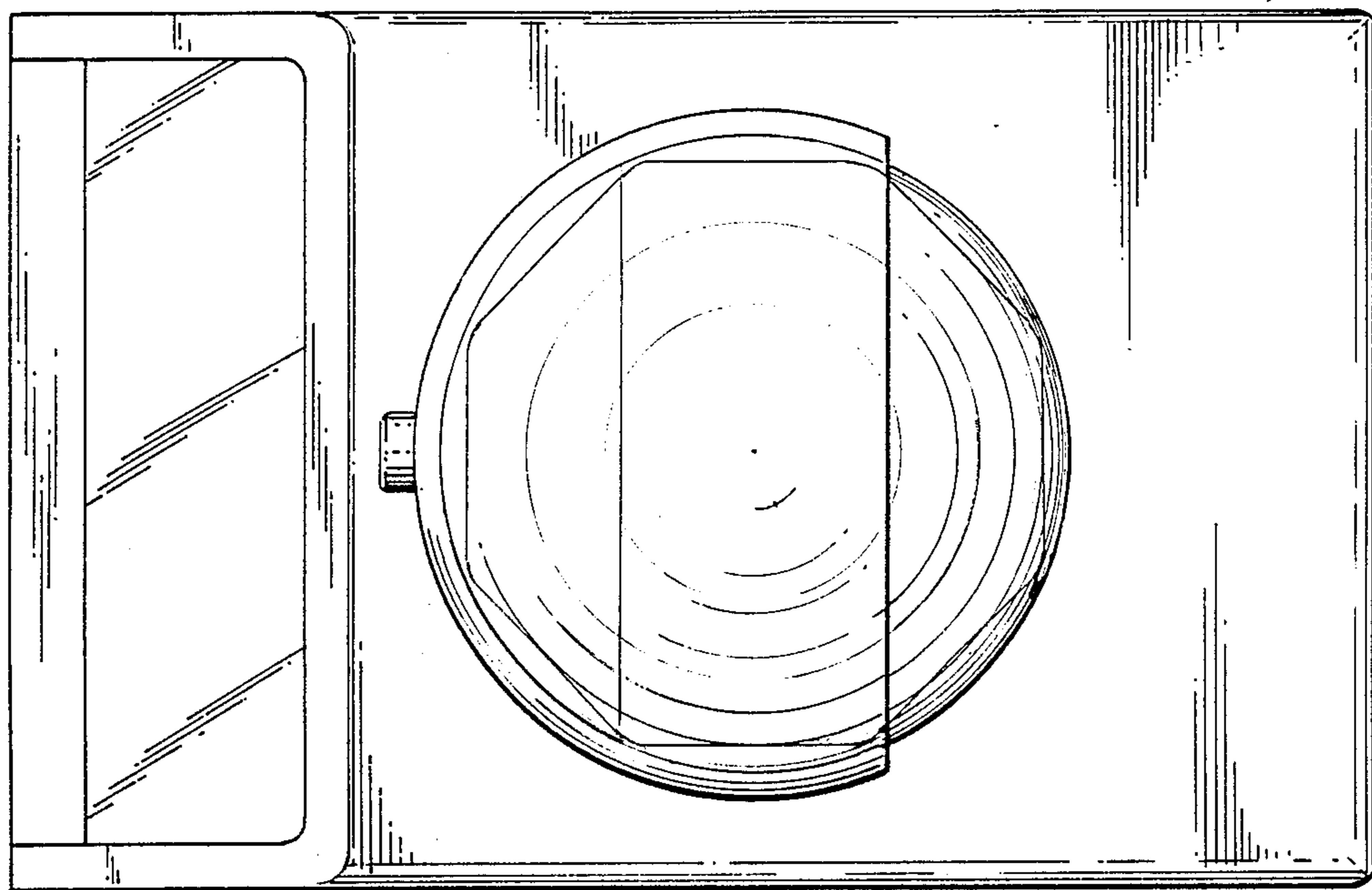


FIG. 5

FIG. 6

