

[54] TAMPER EVIDENT CONTAINER CLOSURE

[75] Inventor: Eugene E. Davis, Ilford, England

[73] Assignee: Johnsen & Jorgensen Plastics Limited, United Kingdom

[**] Term: 14 Years

[21] Appl. No.: 60,404

[22] Filed: Jun. 11, 1987

[30] Foreign Application Priority Data

Jan. 22, 1987 [GB] United Kingdom 8701408

[52] U.S. Cl. D9/438; D9/454

[58] Field of Search D9/435-436, D9/443, 453, 454, 438; 215/201, 208, 216, 217, 224, 235, 250, 252, 258, 261, 262, 277, 296, 298, 305, 306, 316, 355; 222/556, 563, 572

[56] References Cited

U.S. PATENT DOCUMENTS

- D. 19,855 5/1890 Fisher D9/453
- D. 234,341 2/1975 Schick D9/436

- D. 263,799 4/1982 Nilsson D9/443
- D. 268,394 3/1983 MacEwen D9/454
- 3,473,685 10/1969 Karlan D9/435
- 3,902,621 9/1975 Hidding 215/216
- 4,341,318 7/1982 Smalley 215/216
- 4,749,094 6/1988 Fuchs 215/252

Primary Examiner—B. J. Bullock
Assistant Examiner—Dominic Simone
Attorney, Agent, or Firm—Wood, Phillips, Mason, Recktenwald & VanSanten

[57] CLAIM

The ornamental design for a tamper evident container closure, as shown and described.

DESCRIPTION

FIG. 1 is a front elevational view of a tamper evident closure showing my new design; FIG. 2 is a side elevational view thereof; FIG. 3 is a top plan view thereof; FIG. 4 is a bottom plan view thereof; and FIG. 5 is an enlarged cross-sectional view thereof, taken in the direction of arrows on line 5—5 of FIG. 3.

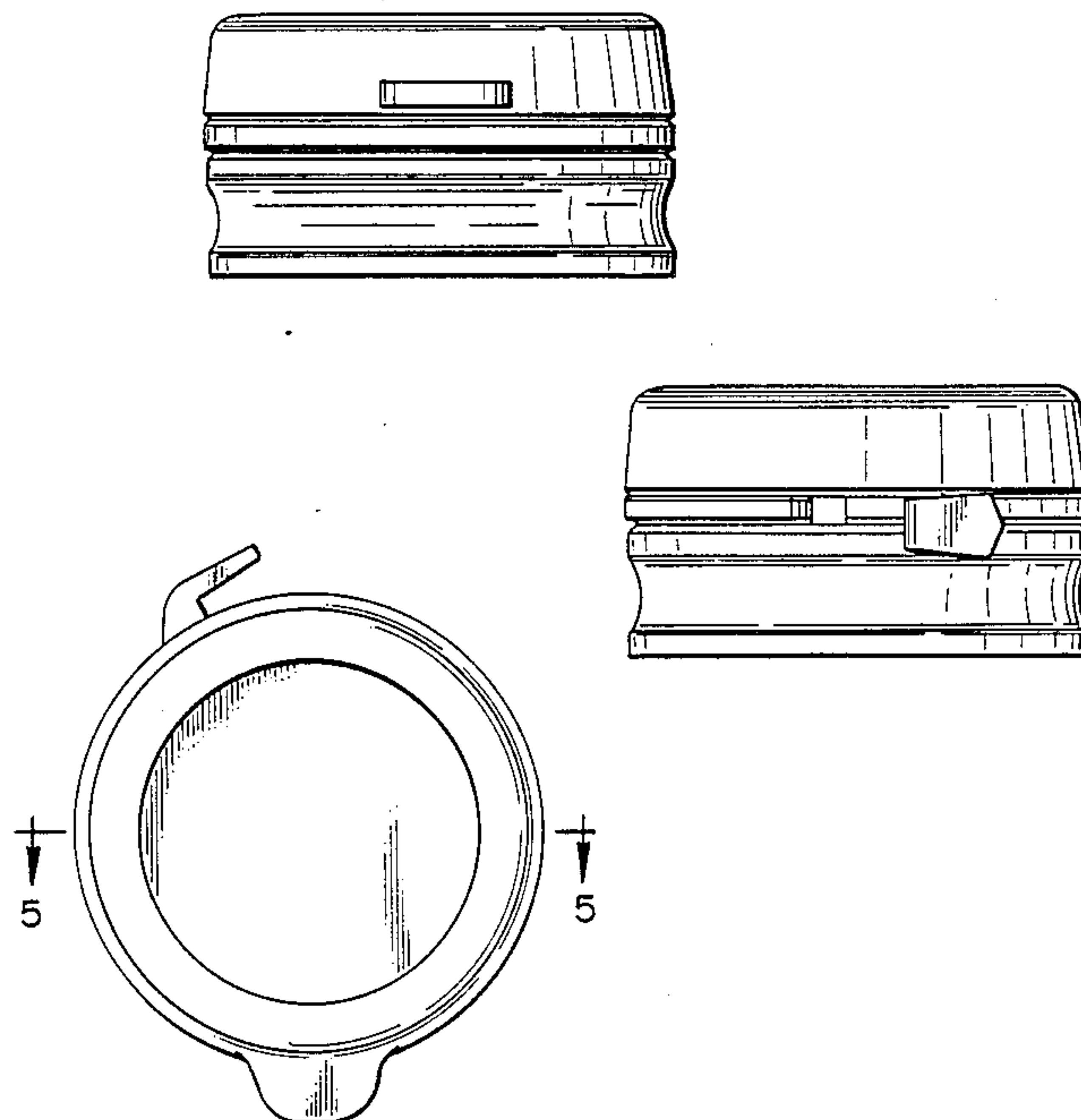


FIG. 1

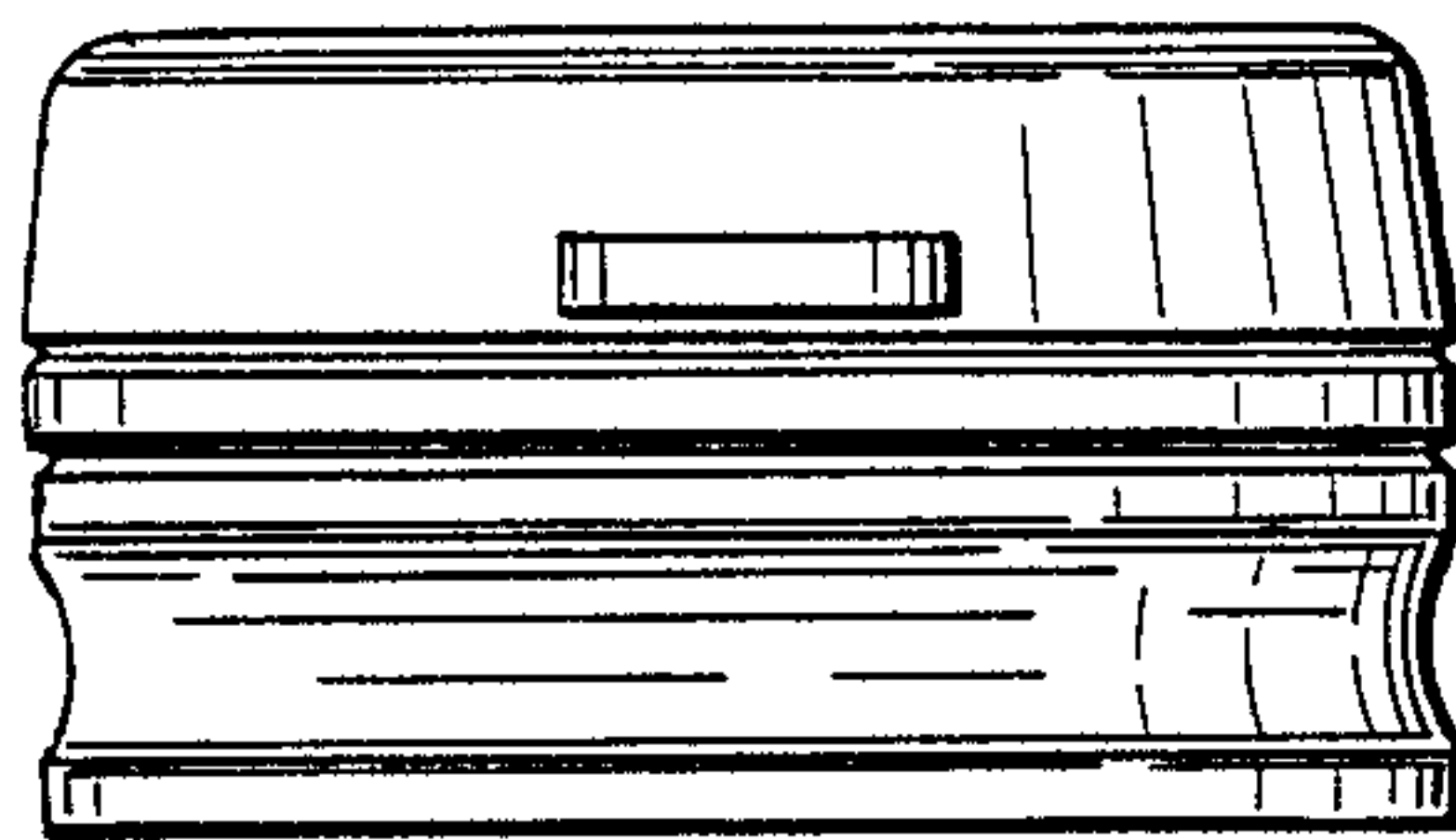


FIG. 2

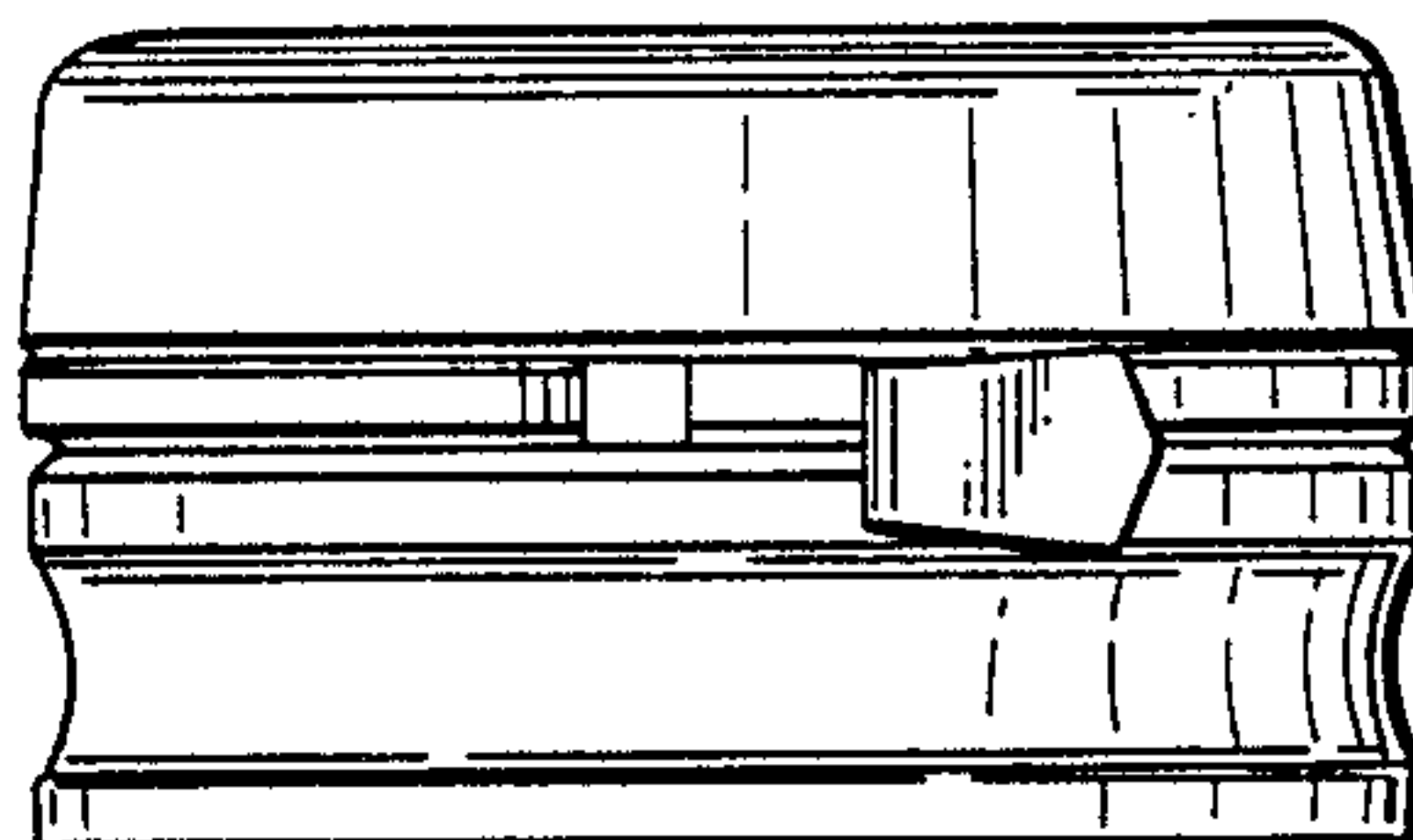


FIG. 3

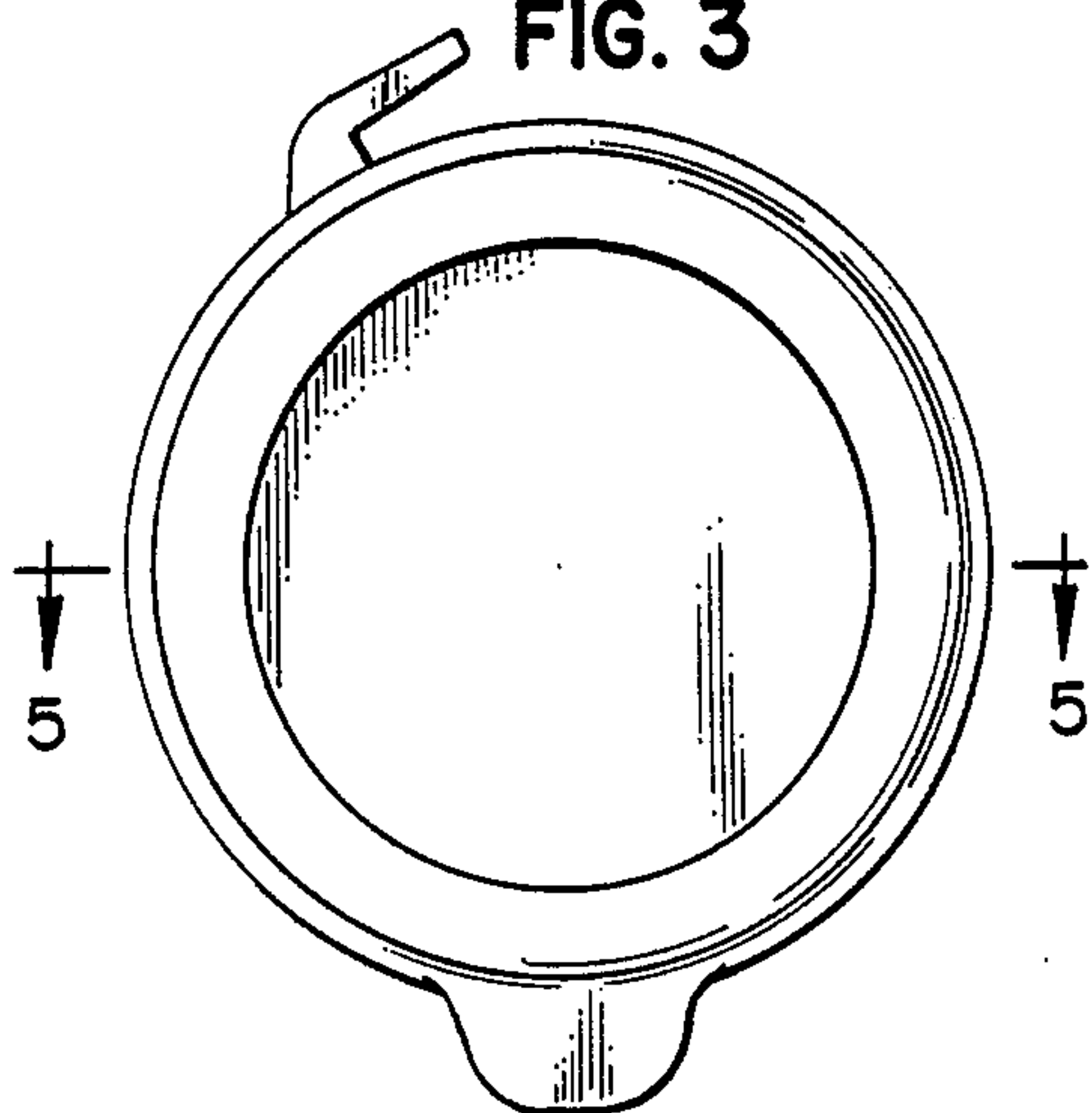


FIG. 4

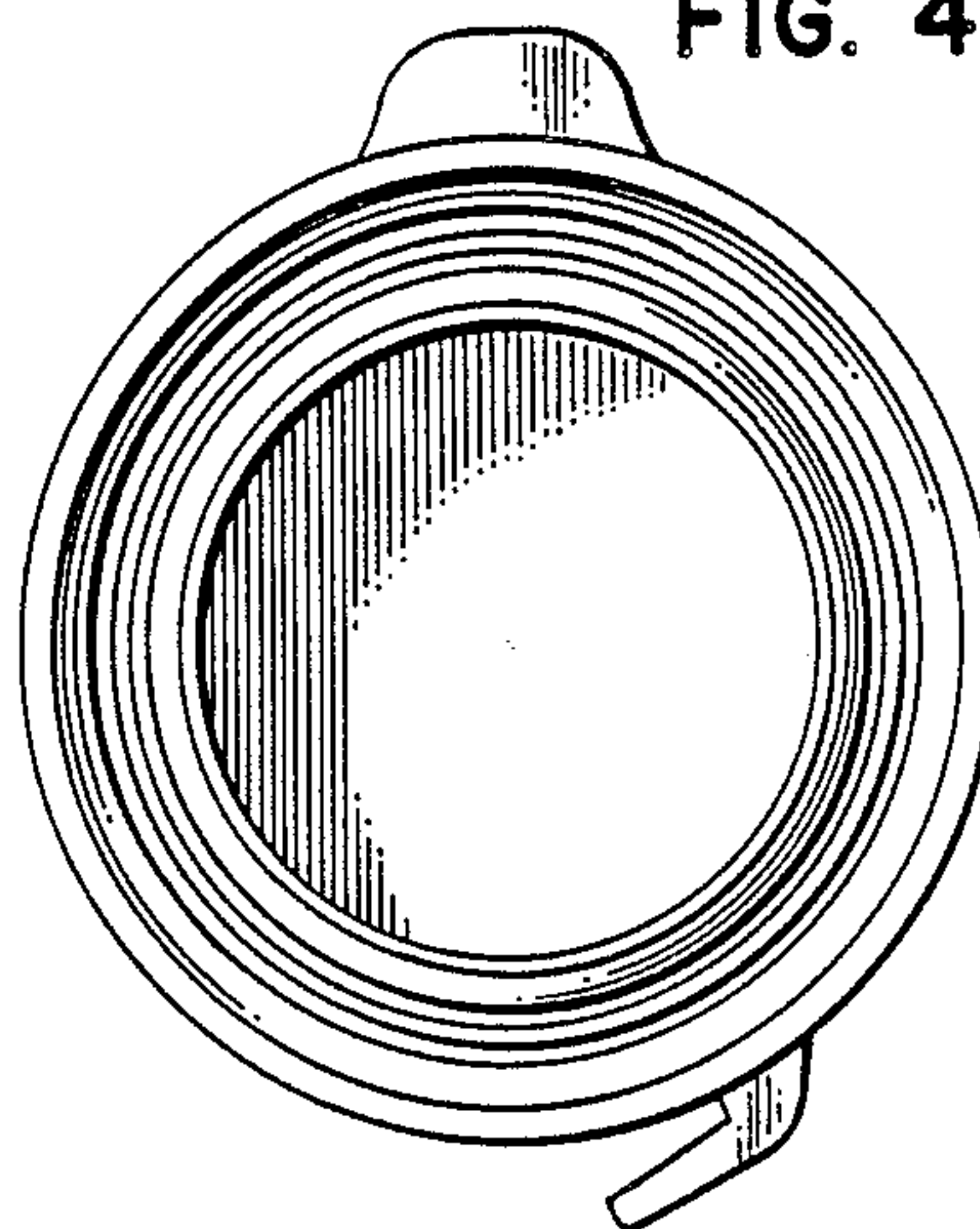


FIG. 5

