

[54] **DOUBLE VALANCE BRACKET**  
 [75] **Inventor: Julius F. John, Redondo Beach, Calif.**  
 [73] **Assignee: Home Fashions, Inc., Santa Monica, Calif.**  
 [\*\*] **Term: 14 Years**  
 [21] **Appl. No.: 196,089**  
 [22] **Filed: May 19, 1988**  
 [52] **U.S. Cl. .... D8/373**  
 [58] **Field of Search ..... D8/373, 376, 377, 379, D8/400, 368; 160/38, 39; 248/254, 258, 227, 278, 279, 262, 201, 200, 454, 460, 455, 456; 211/43, 189**

3,140,071 7/1964 Zorentzen ..... 248/262  
 3,297,075 1/1967 Howell et al. .  
 3,347,304 10/1967 Bierlich ..... 160/38  
 3,469,619 8/1968 Barnett .  
 3,614,045 1/1969 Cegielski, Jr. .  
 3,750,894 8/1973 Jensen et al. .... 211/184  
 3,818,543 6/1974 Baker, Sr. .... 16/87.4 R  
 3,965,540 6/1976 Moore .  
 3,983,600 10/1976 Smith .  
 4,079,770 3/1978 Woodle .  
 4,114,233 9/1978 Hamilton .  
 4,228,980 10/1980 Beauchamp et al. .  
 4,254,813 3/1981 Vecchiarelli .  
 4,254,814 3/1981 Vecchiarelli .  
 4,335,865 6/1982 Cormier .  
 4,354,300 10/1982 Anderle ..... 160/38  
 4,384,605 5/1983 Schaeffer et al. .  
 4,662,421 5/1987 Basmadji et al. .  
 4,693,380 9/1987 Muth ..... 211/35

[56] **References Cited**  
**U.S. PATENT DOCUMENTS**

657,538 9/1900 Hellstrom .  
 1,009,359 11/1911 Walter .  
 1,431,353 10/1922 Allen ..... 248/262  
 1,492,200 6/1923 Burns .  
 1,568,872 12/1924 Briggs .  
 1,781,262 8/1928 Wintrob .  
 1,837,632 9/1931 Skowronski .  
 2,154,909 4/1939 Zorentzen ..... 160/38  
 2,163,511 5/1938 Cardillo .  
 2,254,019 8/1941 Powell ..... 248/227  
 2,329,546 3/1943 Lee .  
 2,452,680 11/1948 Ratcliffe ..... 248/254  
 2,461,071 2/1949 Mettenleiter ..... 248/227  
 2,597,578 2/1951 Ganter .  
 2,604,155 7/1952 Junkunc .  
 2,986,627 5/1957 Marriett .

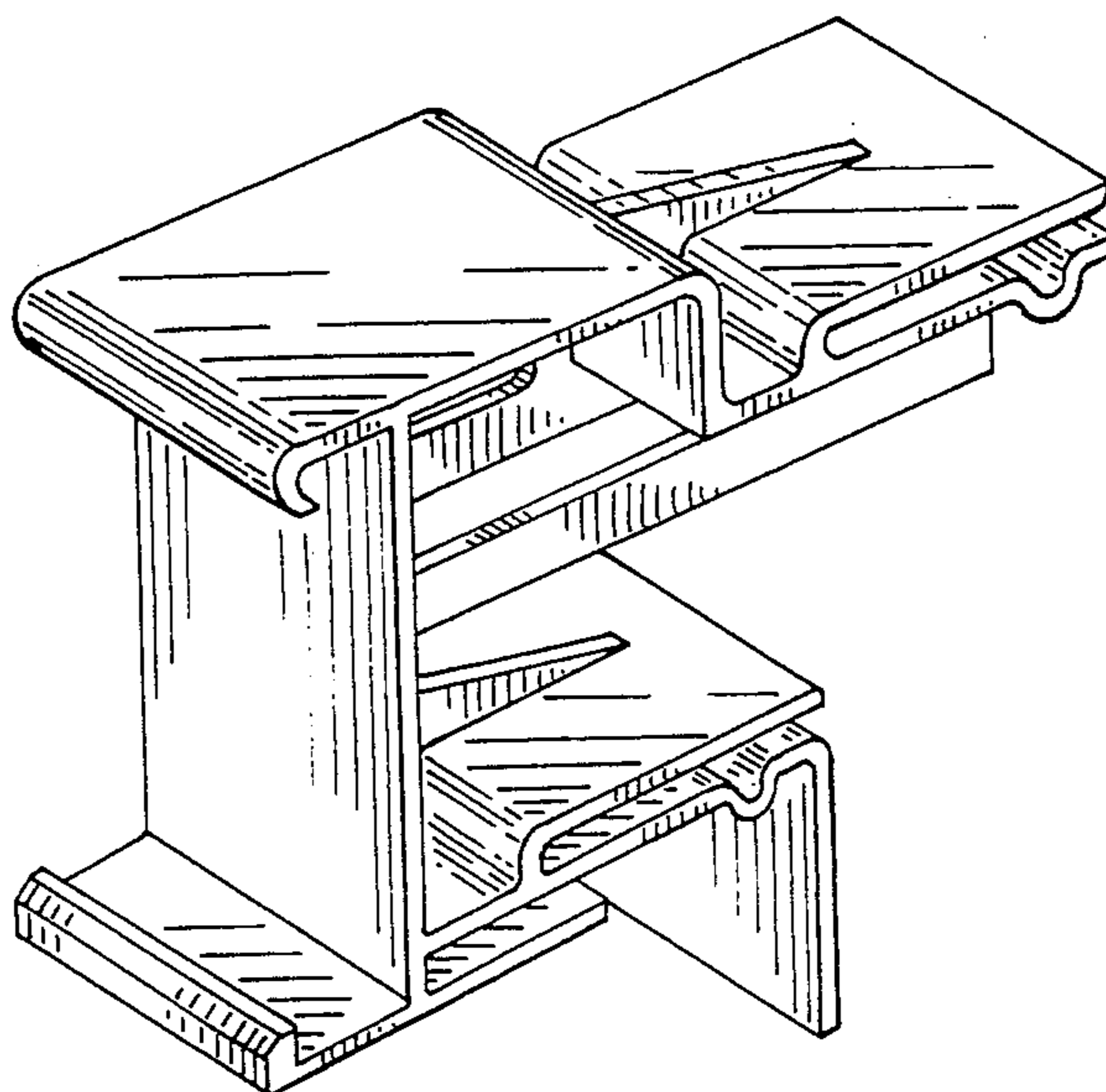
*Primary Examiner*—Wallace R. Burke  
*Assistant Examiner*—Marcus Jackson  
*Attorney, Agent, or Firm*—Welsh & Katz, Ltd.

[57] **CLAIM**

The ornamental design for a double valance bracket, as shown and described.

**DESCRIPTION**

FIG. 1 is a perspective view of a double valance bracket showing my new design;  
 FIG. 2 is a top plan view thereof;  
 FIG. 3 is a front elevational view thereof;  
 FIG. 4 is a right side elevational view, with the opposite side being a mirror image thereof;  
 FIG. 5 is a rear elevational view thereof;  
 FIG. 6 is a bottom plan view thereof.



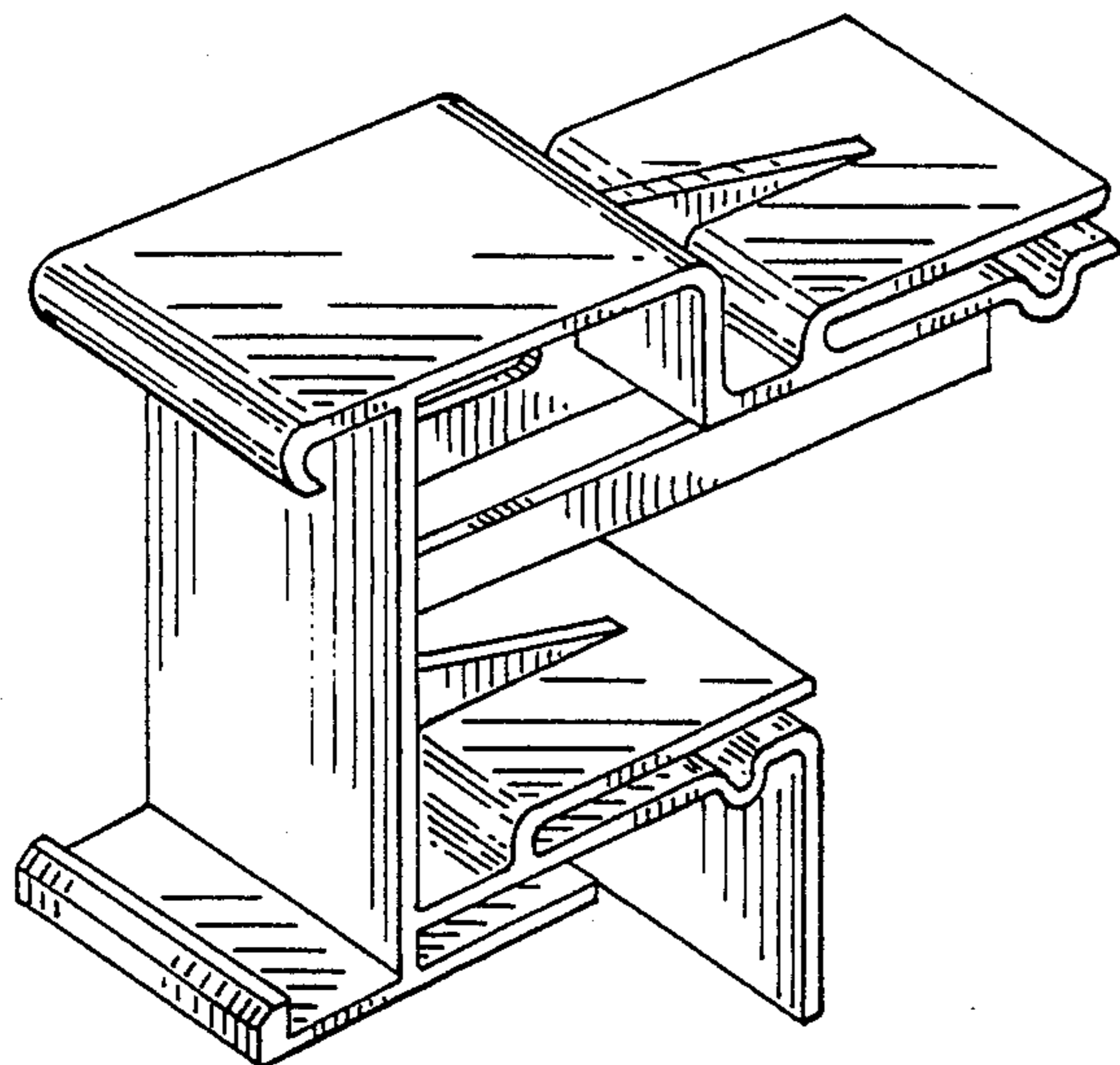


FIG. 1

FIG. 2

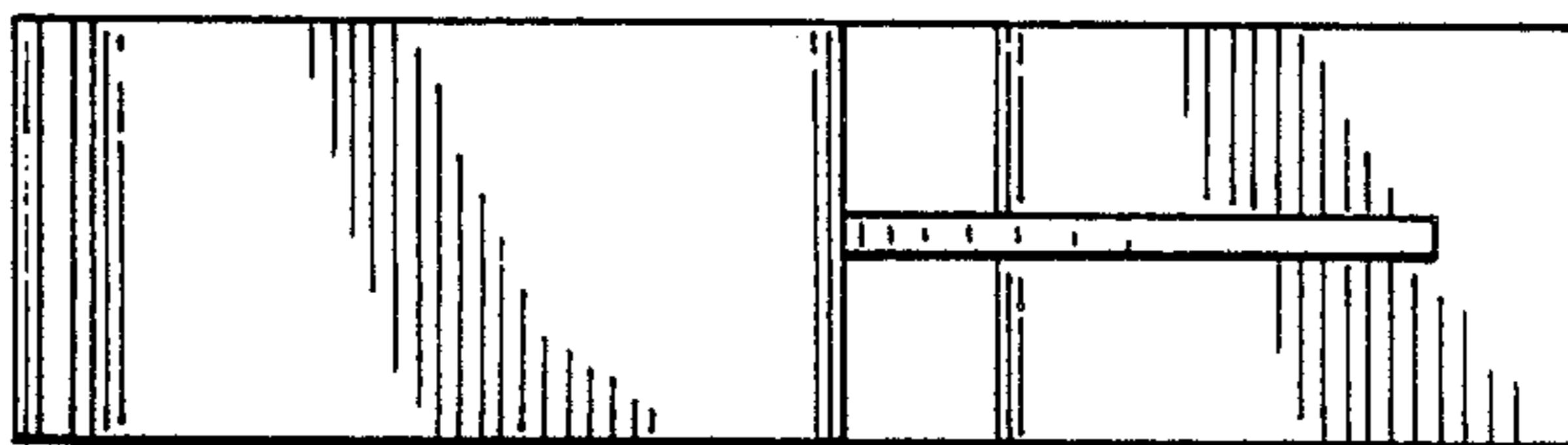


FIG. 3

FIG. 4

FIG. 5

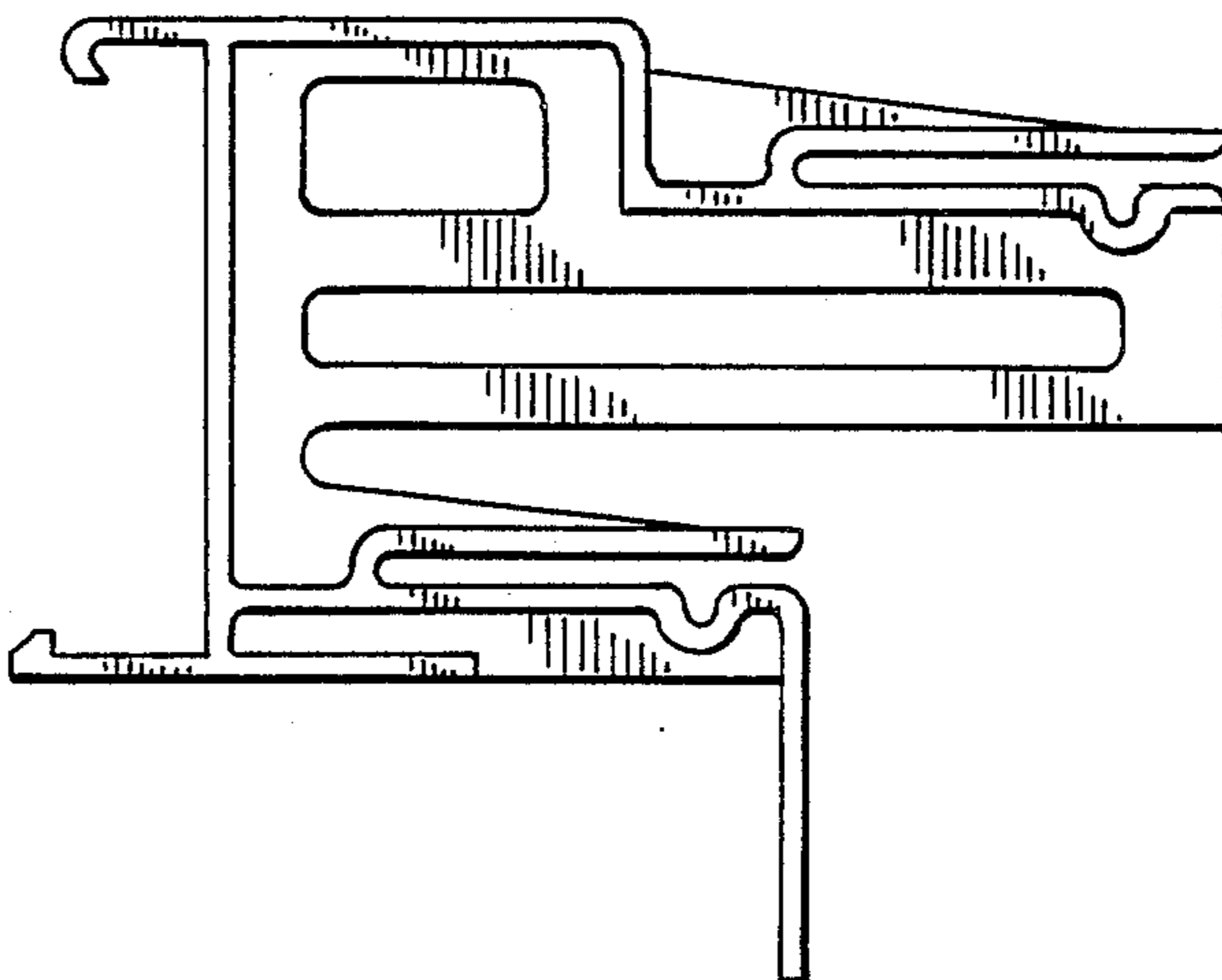
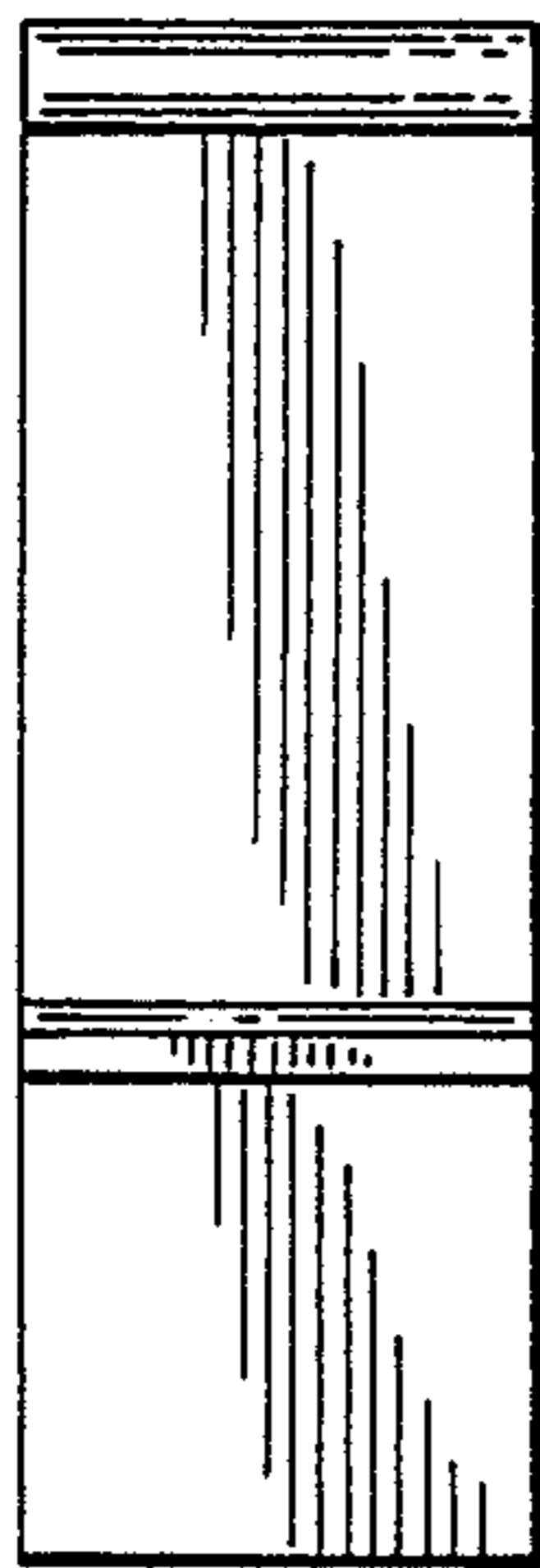


FIG. 6

