

[54] **WINDOW PANE HOLDER OR SIMILAR ARTICLE**

[75] **Inventor: Mitsuo Tezuka, Atsugi, Japan**

[73] **Assignee: Hori Glass Co., Ltd., Japan**

[**] **Term: 14 Years**

[21] **Appl. No.: 917,380**

[22] **Filed: Oct. 9, 1986**

[52] **U.S. Cl. D8/373**

[58] **Field of Search D8/349, 373, 354, 380;
248/473, 488, 495; 49/348, 374, 227; 52/824;
D20/42, 43; 294/99.1, 99.2, 103.1**

[56] **References Cited**

U.S. PATENT DOCUMENTS

D. 273,459 4/1984 Akabane D8/354 X

D. 273,560 4/1984 Akabane D8/354 X

Primary Examiner—Susan J. Lucas

Assistant Examiner—M. H. Tung

Attorney, Agent, or Firm—Bruce L. Adams; Van C. Wilks

[57] **CLAIM**

The ornamental design for a window pane holder or similar article, as shown and described.

DESCRIPTION

FIG. 1 is a front top perspective view of a window pane holder or similar article showing my new design; FIG. 2 is a front elevational view thereof; FIG. 3 is a top plan view thereof; FIG. 4 is a left side elevational view thereof; FIG. 5 is a right side elevational view thereof; FIG. 6 is a rear elevational view thereof; and FIG. 7 is a bottom plan view thereof.

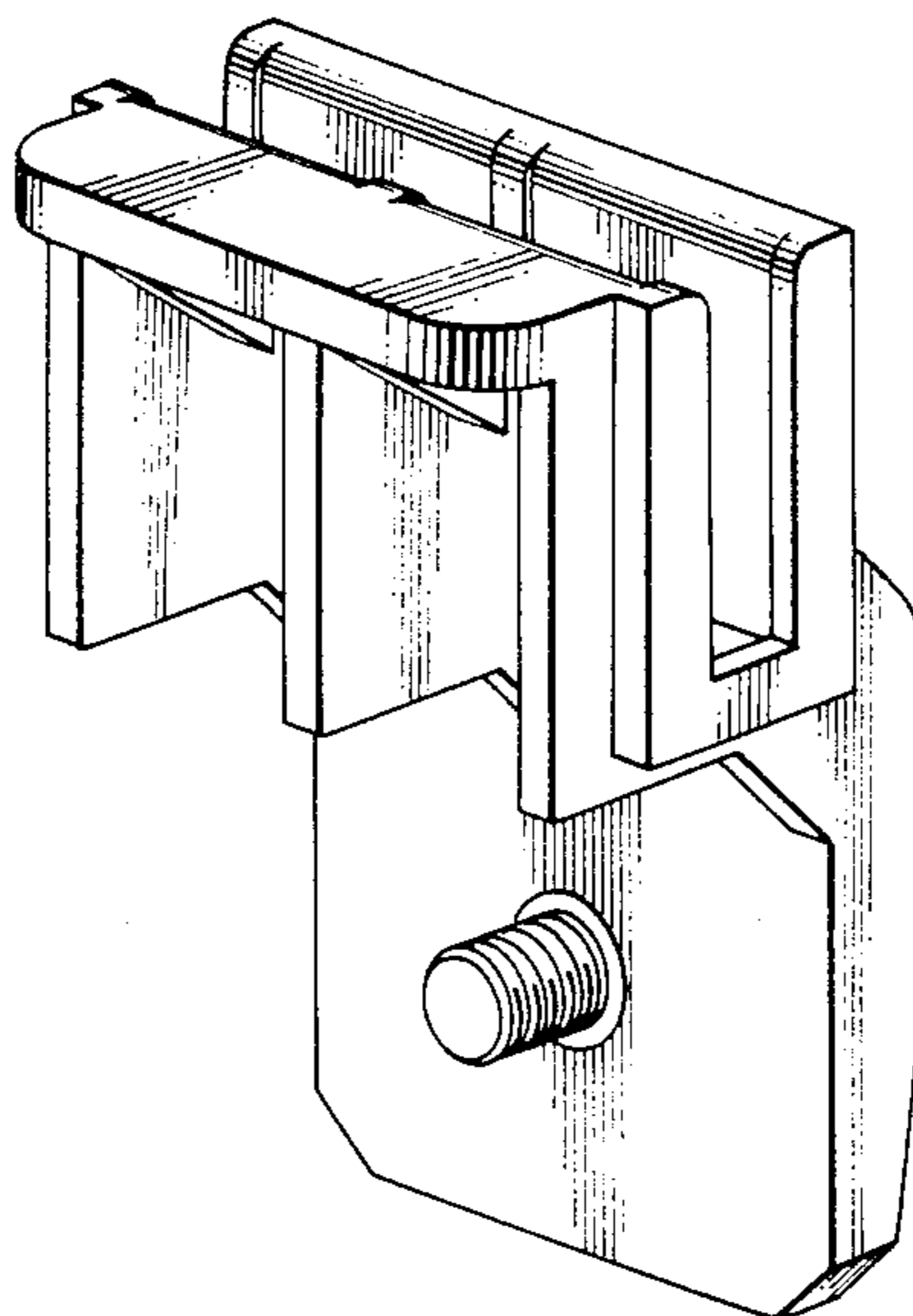


FIG. 5

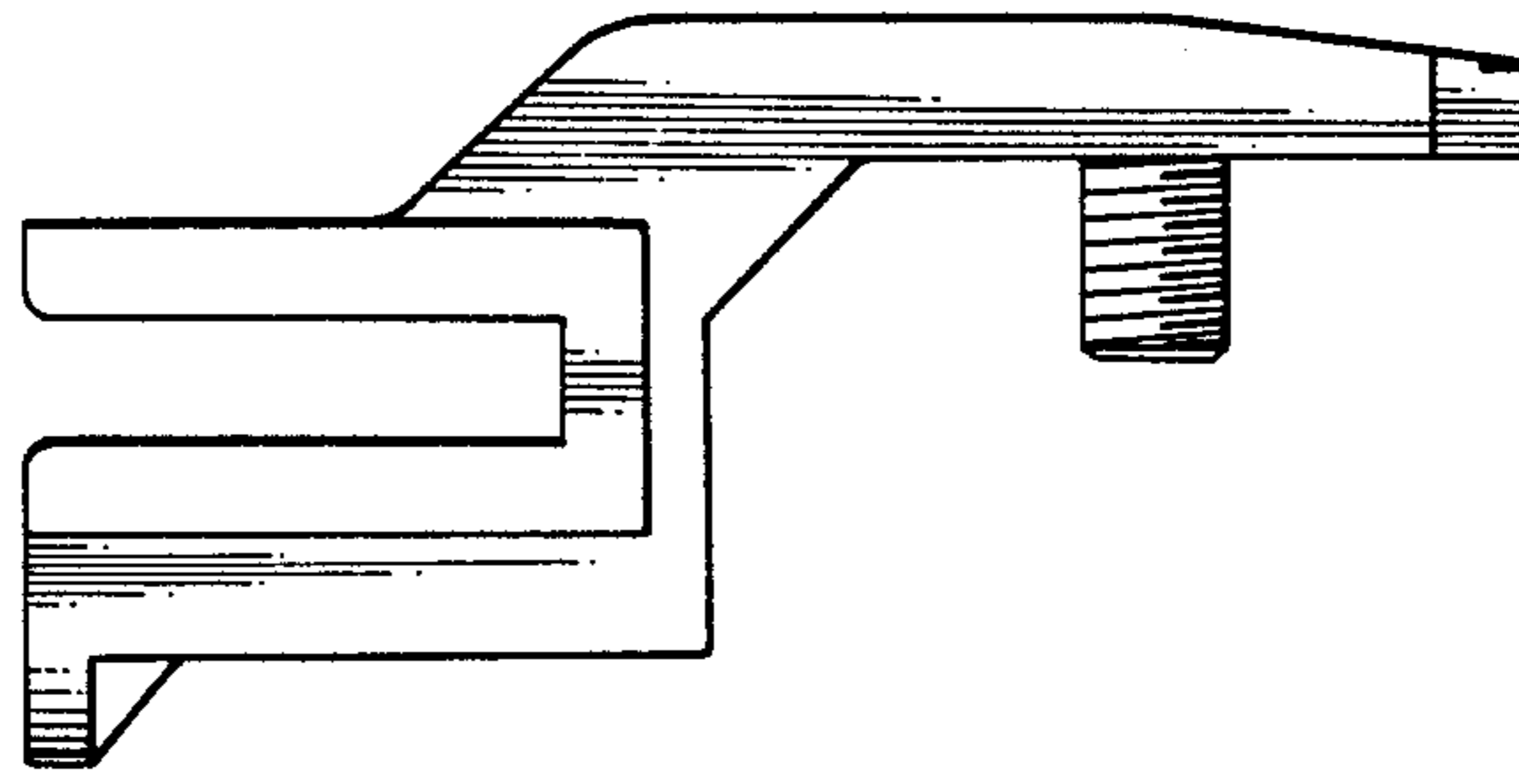


FIG. 2

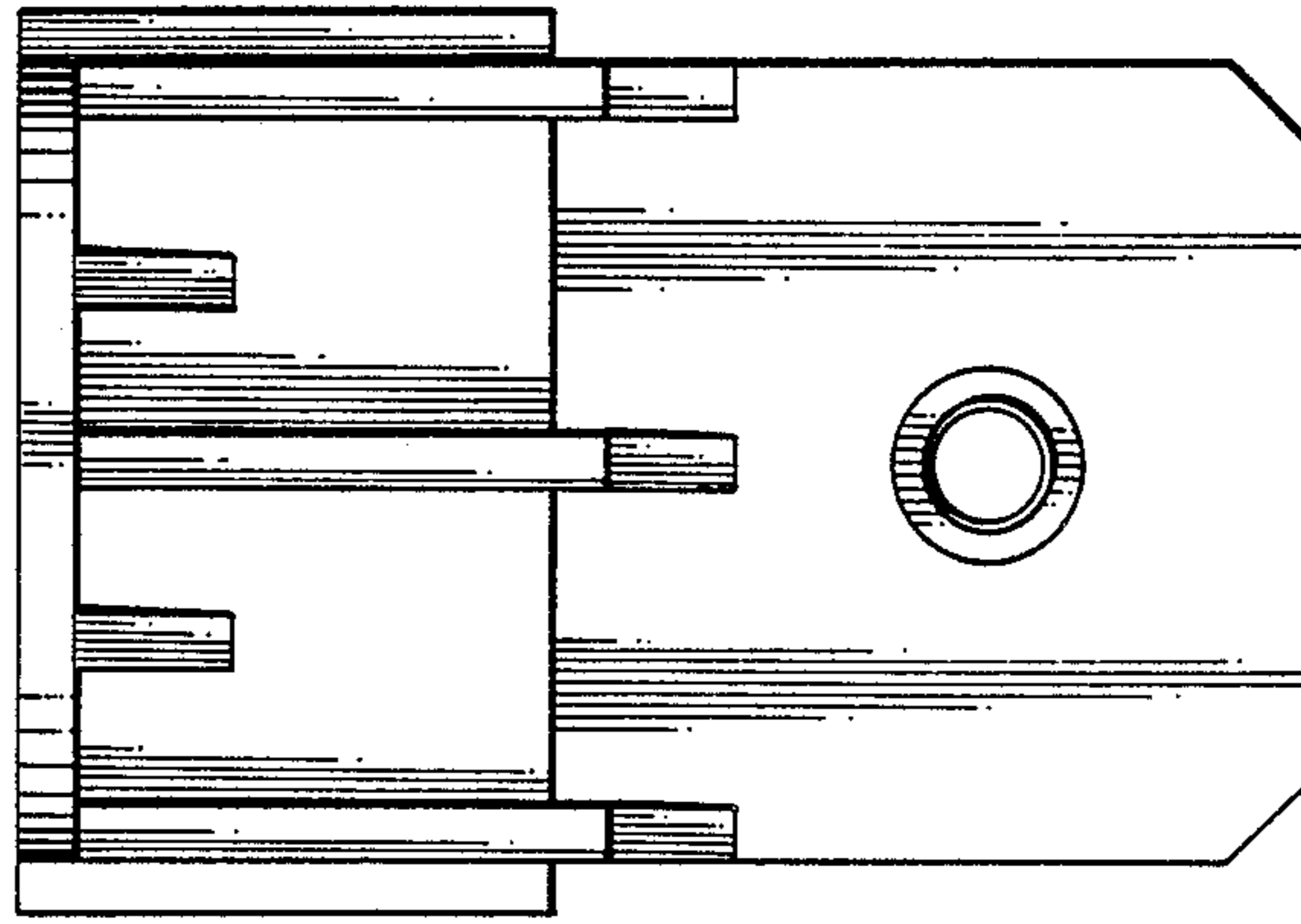


FIG. 1

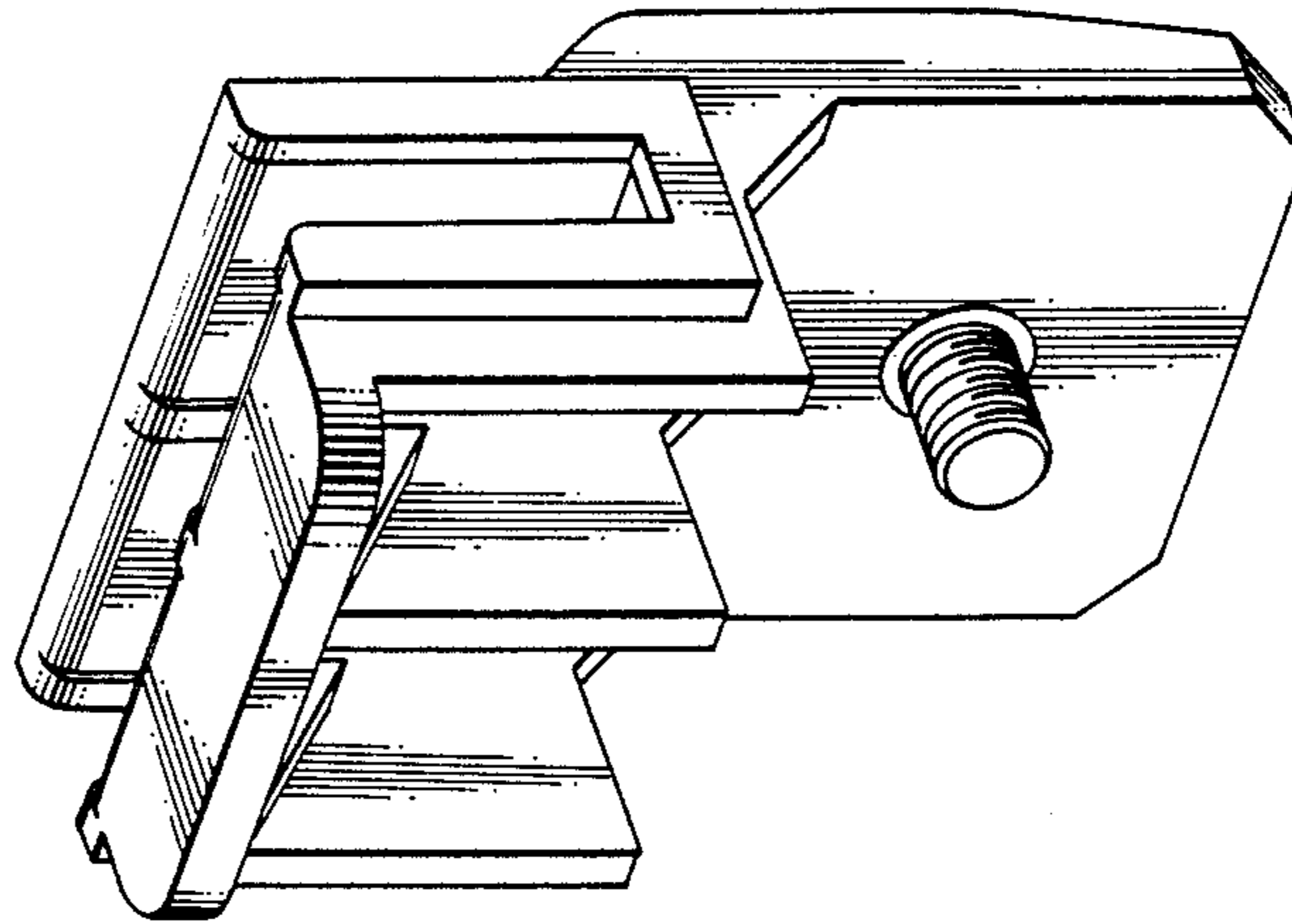


FIG. 3

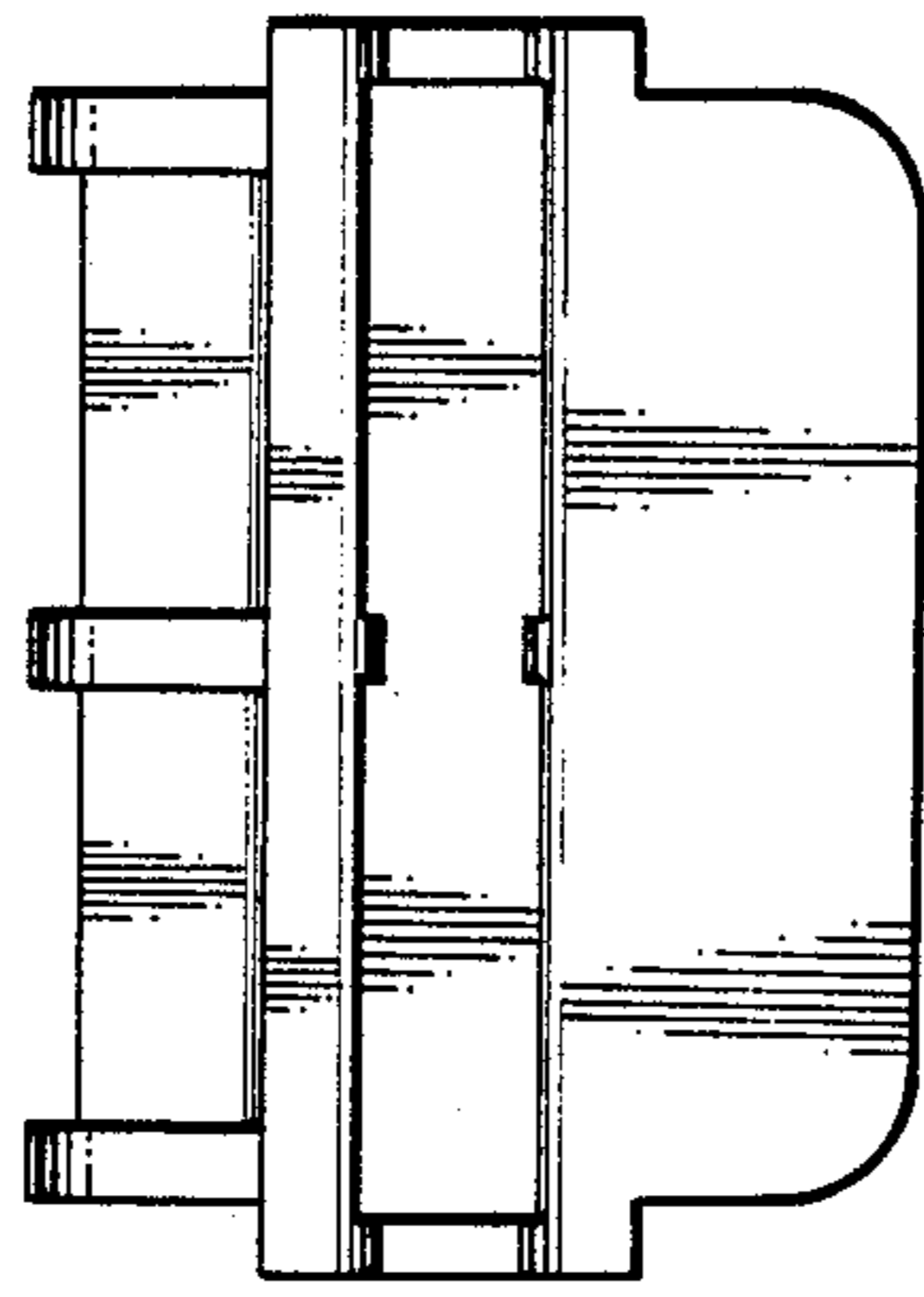


FIG. 7

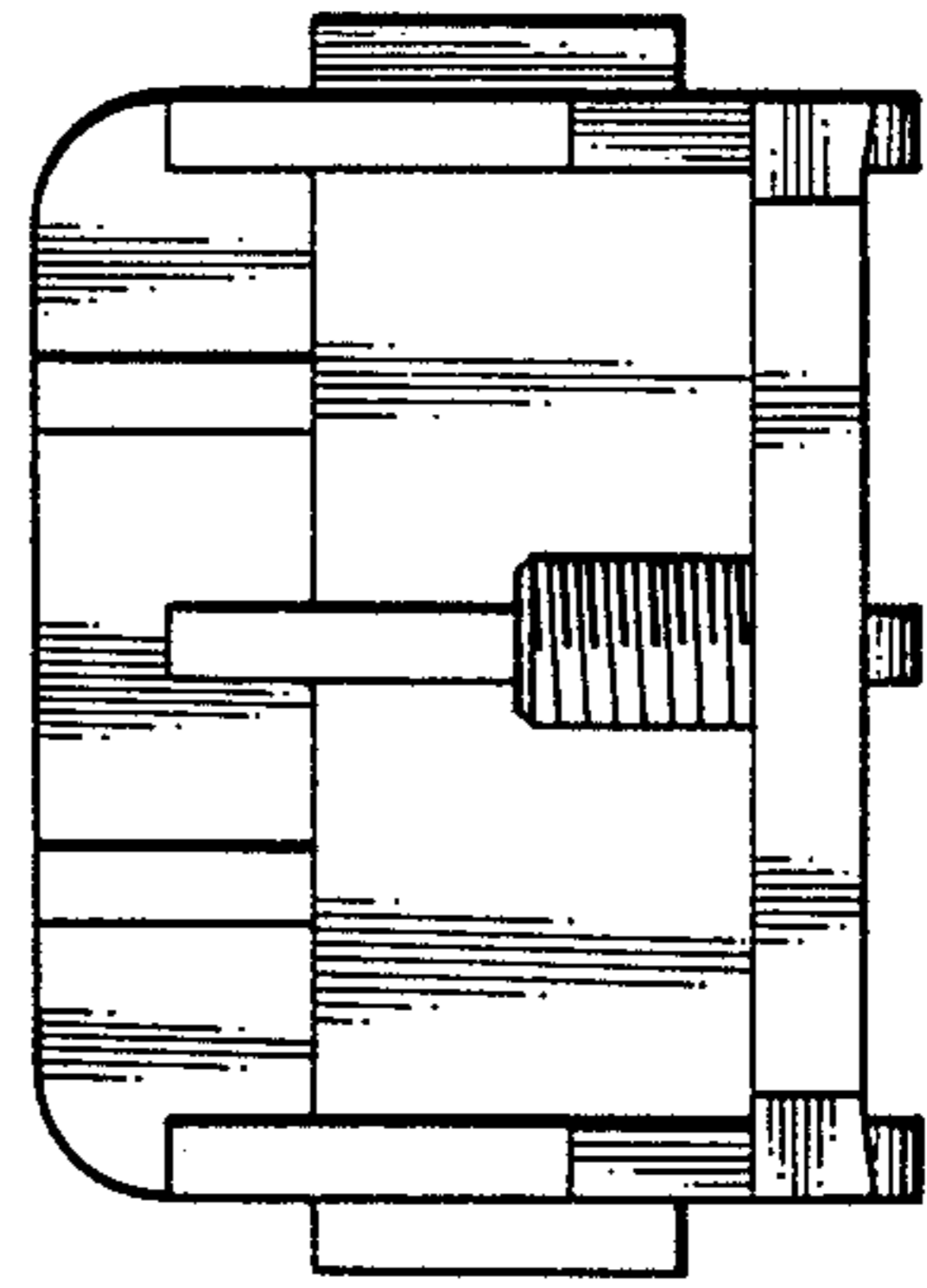


FIG. 6

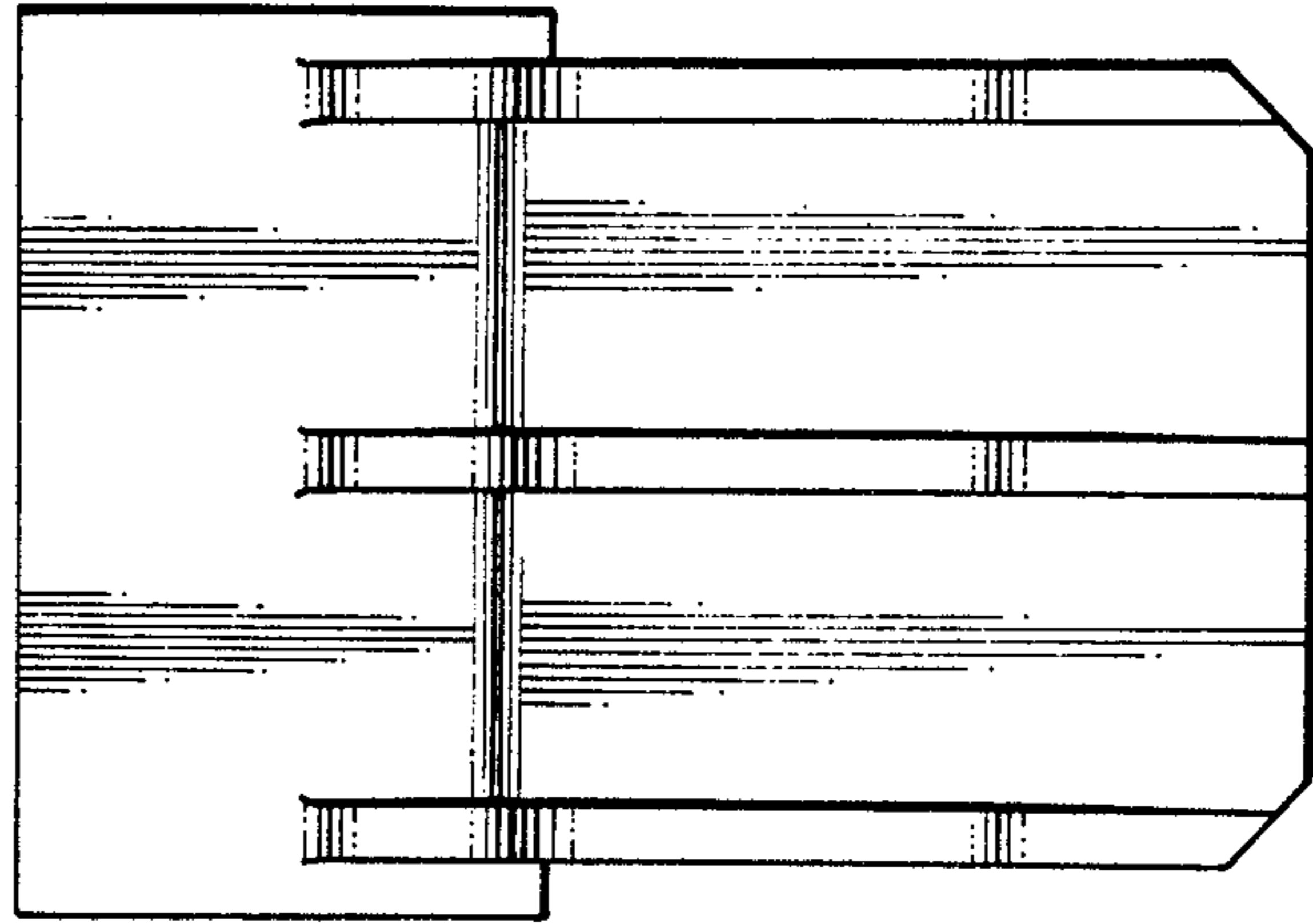


FIG. 4

