

[54] STANCHION MOUNTING BRACKET FOR NAUTICAL ACCESSORIES

[75] Inventor: Curtiss S. Johnson, Jr., Middle Haddam, Conn.

[73] Assignee: C. Sherman Johnson Co., Inc., East Haddam, Conn.

[**] Term: 14 Years

[21] Appl. No.: 3,903

[22] Filed: Jan. 16, 1987

[52] U.S. Cl. D8/373

[58] Field of Search D8/396, 373, 394; 285/420; 169/30, 70, 71, 77, 78, 88; 248/49, 65, 74 R, 218.4, 219.4, 230

[56] References Cited

U.S. PATENT DOCUMENTS

D. 263,332	3/1982	Butterfield	D8/396
4,360,178	11/1982	Senter et al.	248/65
4,679,755	7/1987	Marsault et al.	248/65
4,783,029	11/1988	Geppert et al.	248/65

OTHER PUBLICATIONS

Parts and Accessories—J. C. Whitney Co., p. 213, lower left corner (Hose Clamp).

Primary Examiner—Wallace R. Burke

Assistant Examiner—Marcus Jackson

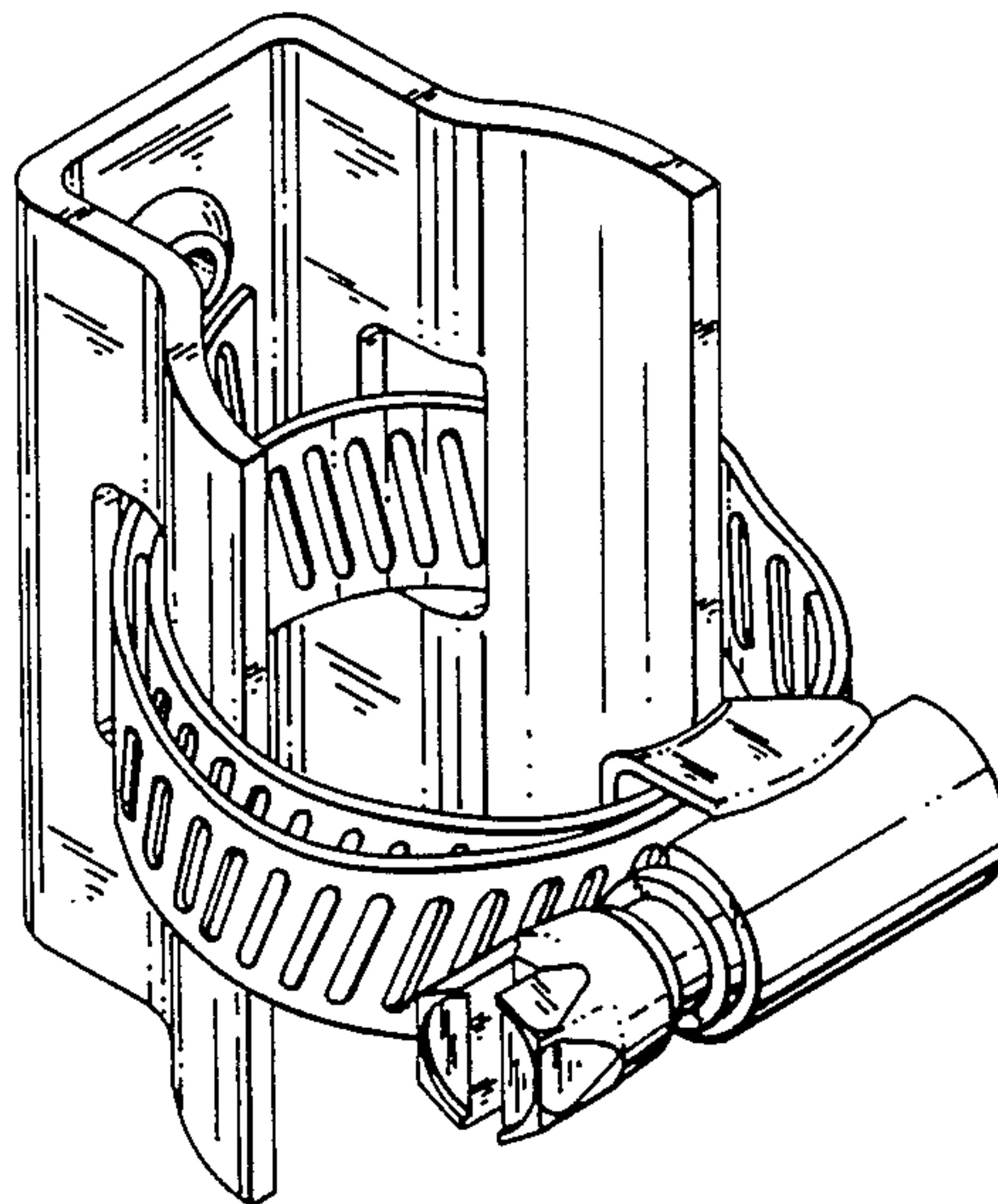
Attorney, Agent, or Firm—McCormick, Paulding & Huber

[57] CLAIM

The ornamental design for stanchion mounting bracket for nautical accessories, as shown and described.

DESCRIPTION

FIG. 1 is a front elevational view of a stanchion mounting bracket for nautical accessories showing my new design. The broken lines are shown for illustrative purposes only and form no part of the claimed design; FIG. 2 is a rear elevational view thereof; FIG. 3 is a right side elevational view thereof; FIG. 4 is a left side elevational view thereof; FIG. 5 is a top plan view thereof, with the bottom plan view being a mirror image of the top view; and FIG. 6 is a perspective view of the stanchion mounting bracket for nautical accessories as seen from above and to the right in FIG. 1.



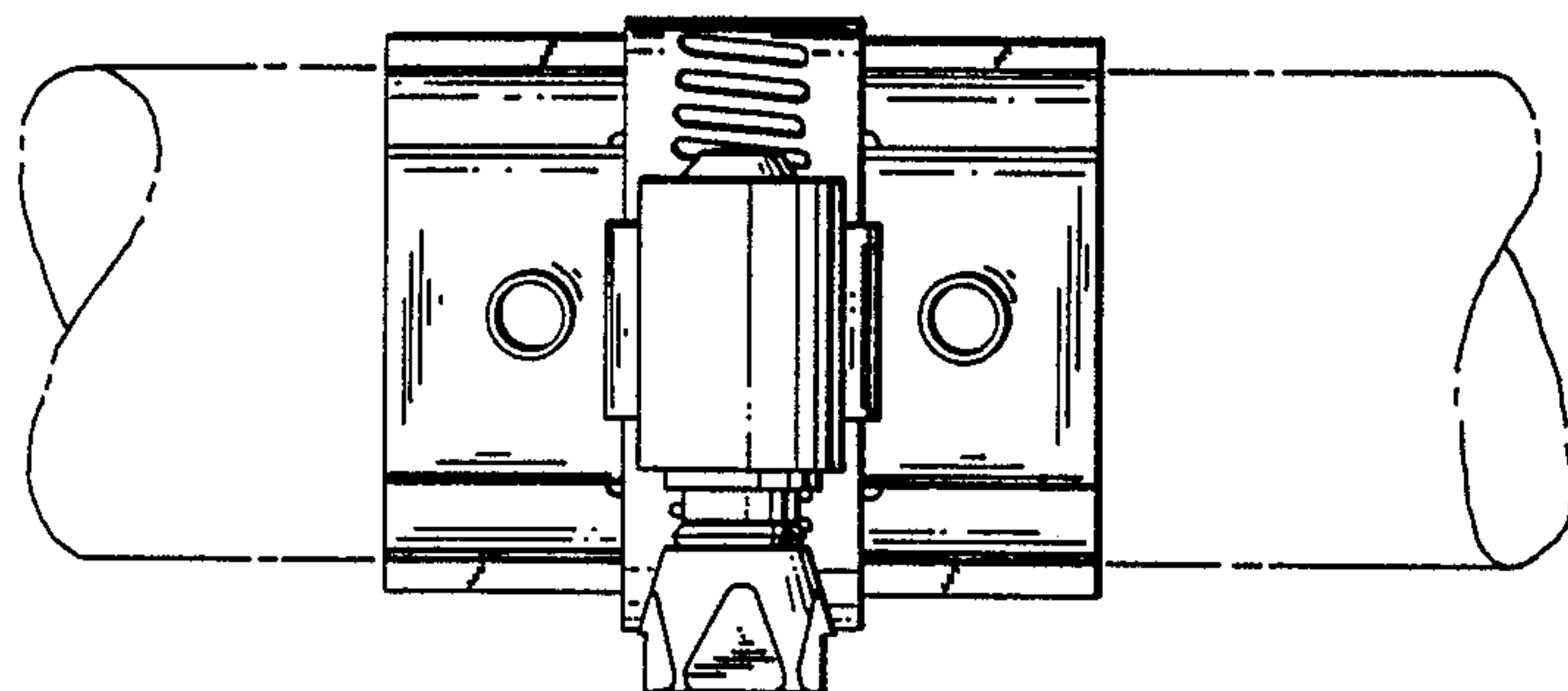


FIG. 3

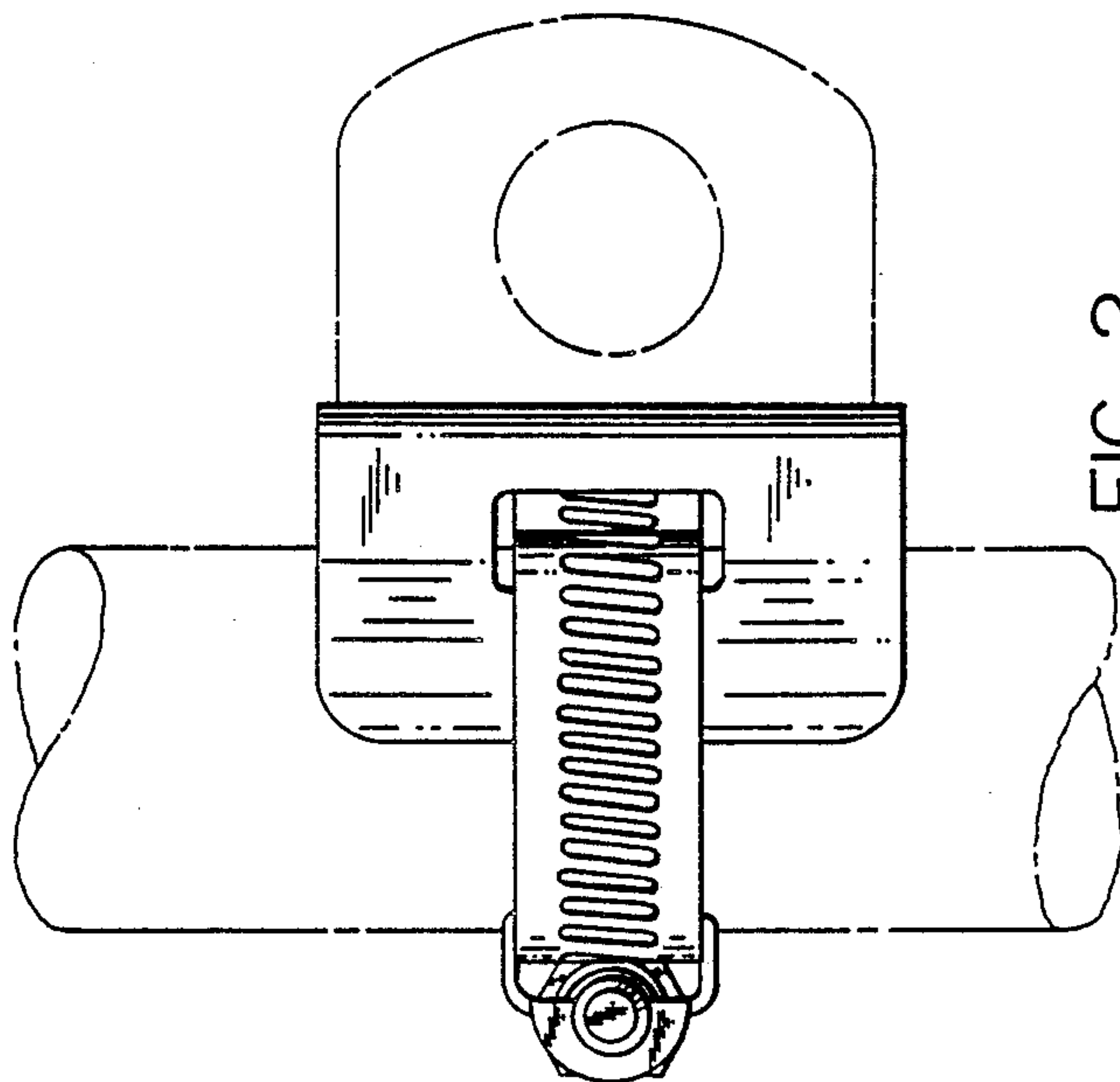


FIG. 2

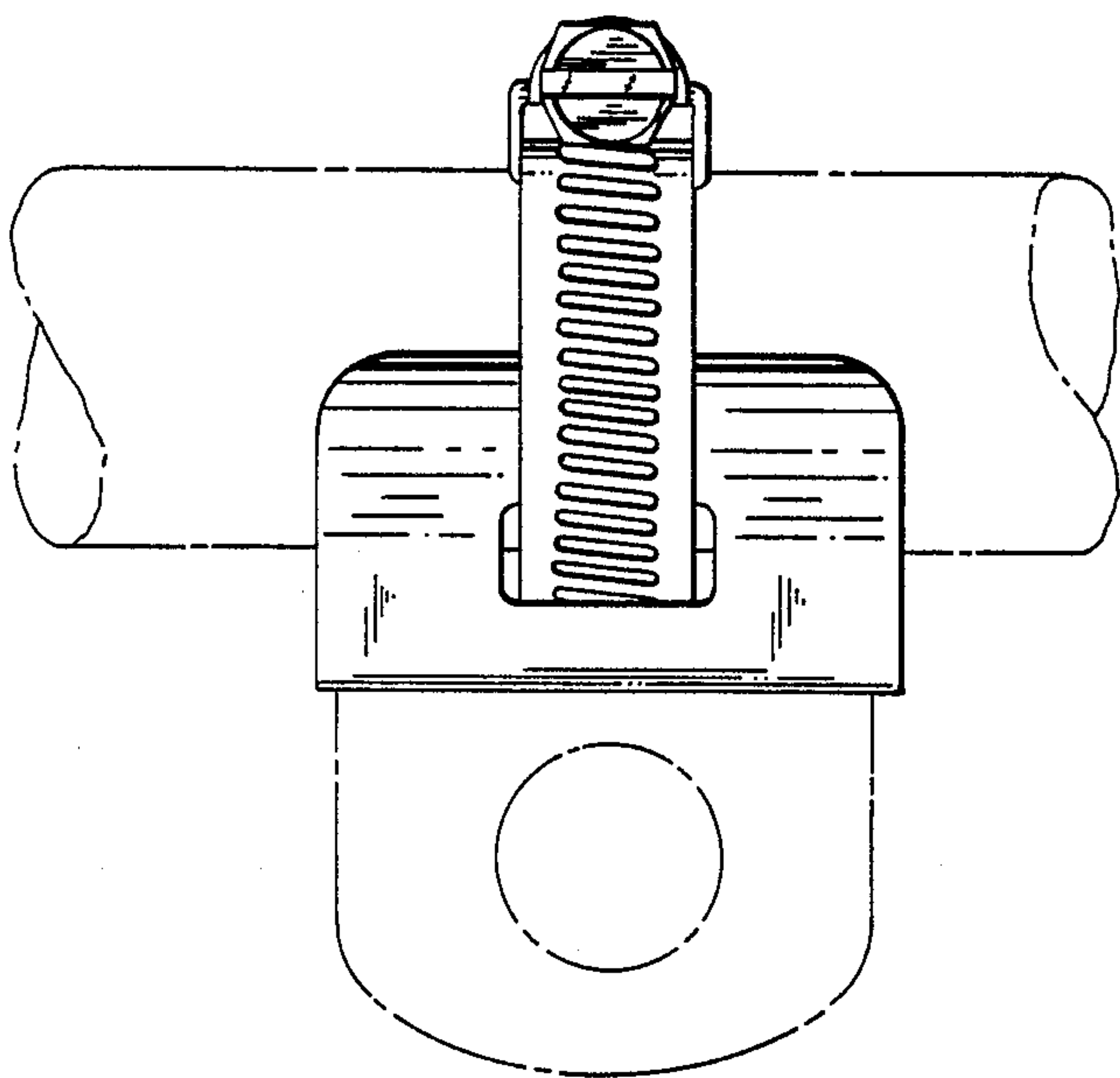


FIG. 1

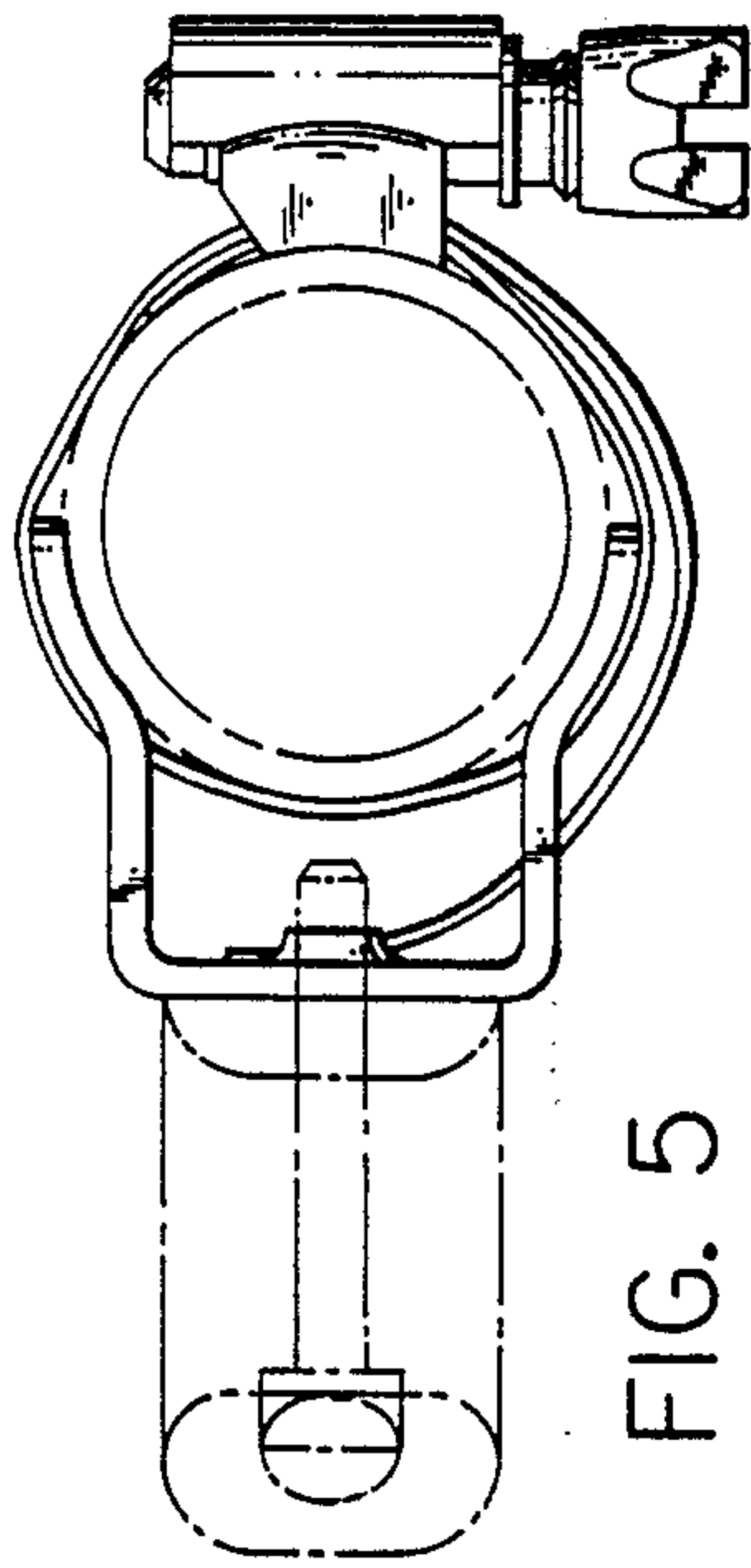


FIG. 5

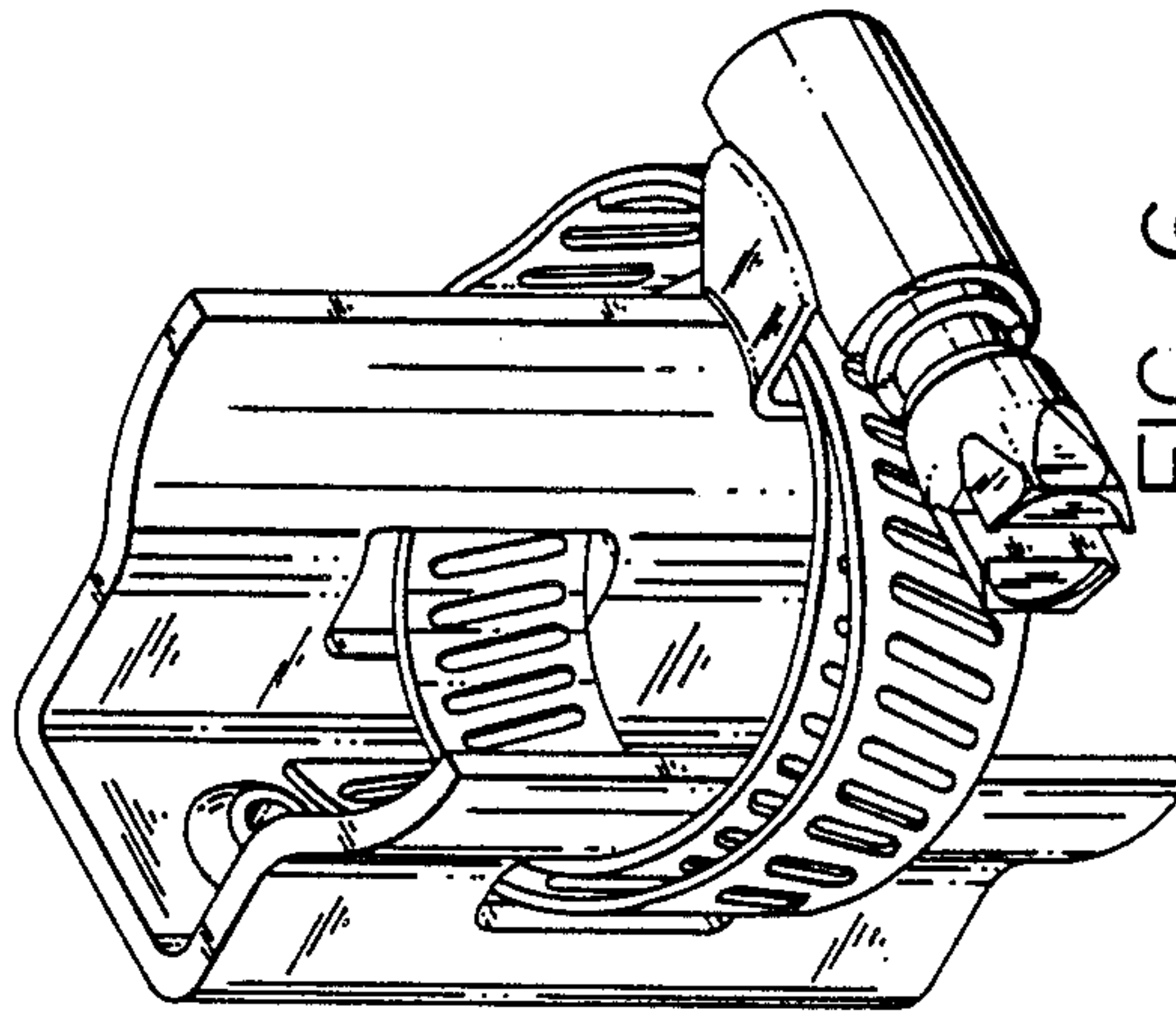


FIG. 6

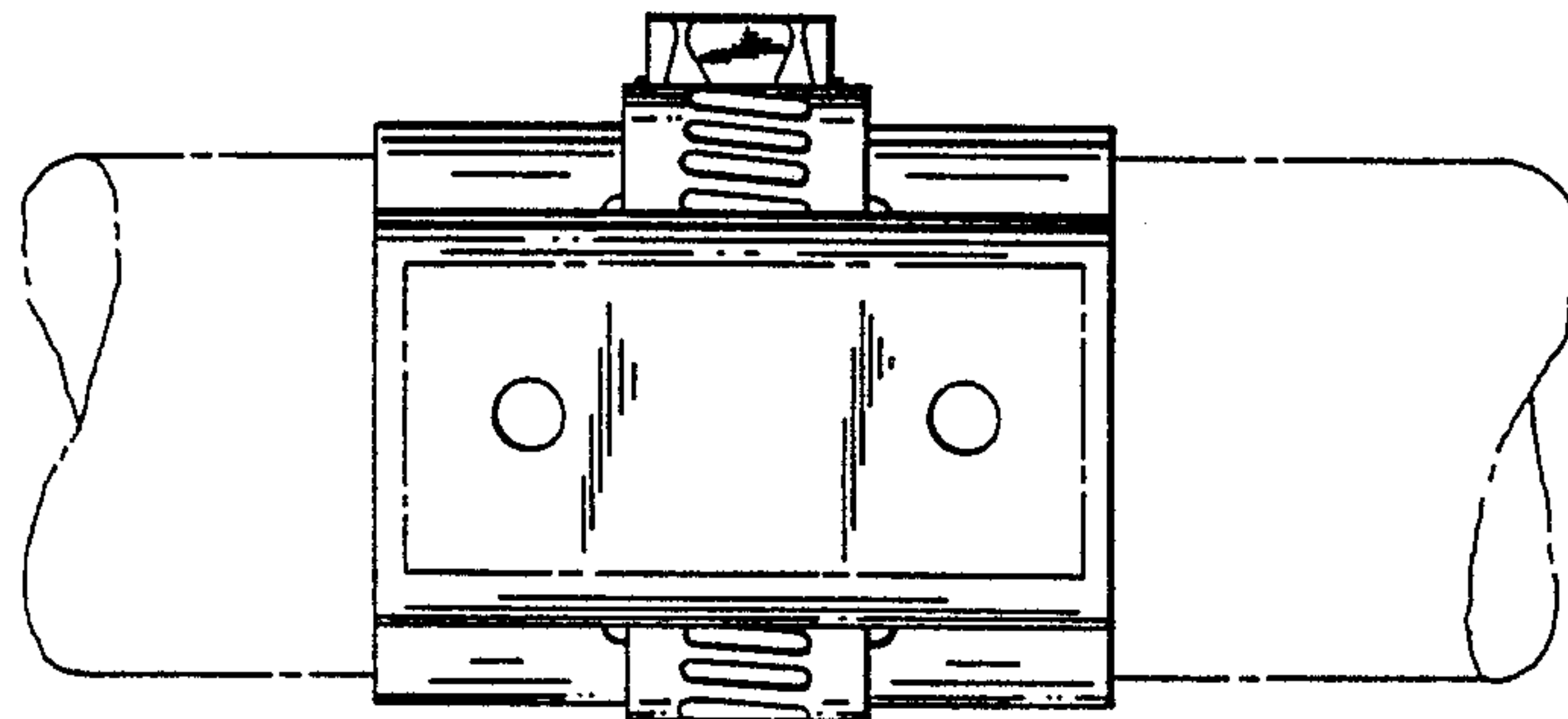


FIG. 4