

[54] VALVE STABILIZER BRACKET

4,601,378 7/1986 Prence et al. 248/674 X
4,849,667 7/1989 Morrill 248/674 X

[76] Inventor: Kenneth W. Smith, 1720 Eastman,
Clemons, Iowa 50051

Primary Examiner—Horace B. Fay, Jr.
Attorney, Agent, or Firm—Henderson & Sturm

[**] Term: 14 Years

[57] CLAIM

[21] Appl. No.: 171,282

The ornamental design for a valve stabilizer bracket, as shown and described.

[22] Filed: Mar. 21, 1988

[52] U.S. Cl. D8/373; D8/363

DESCRIPTION

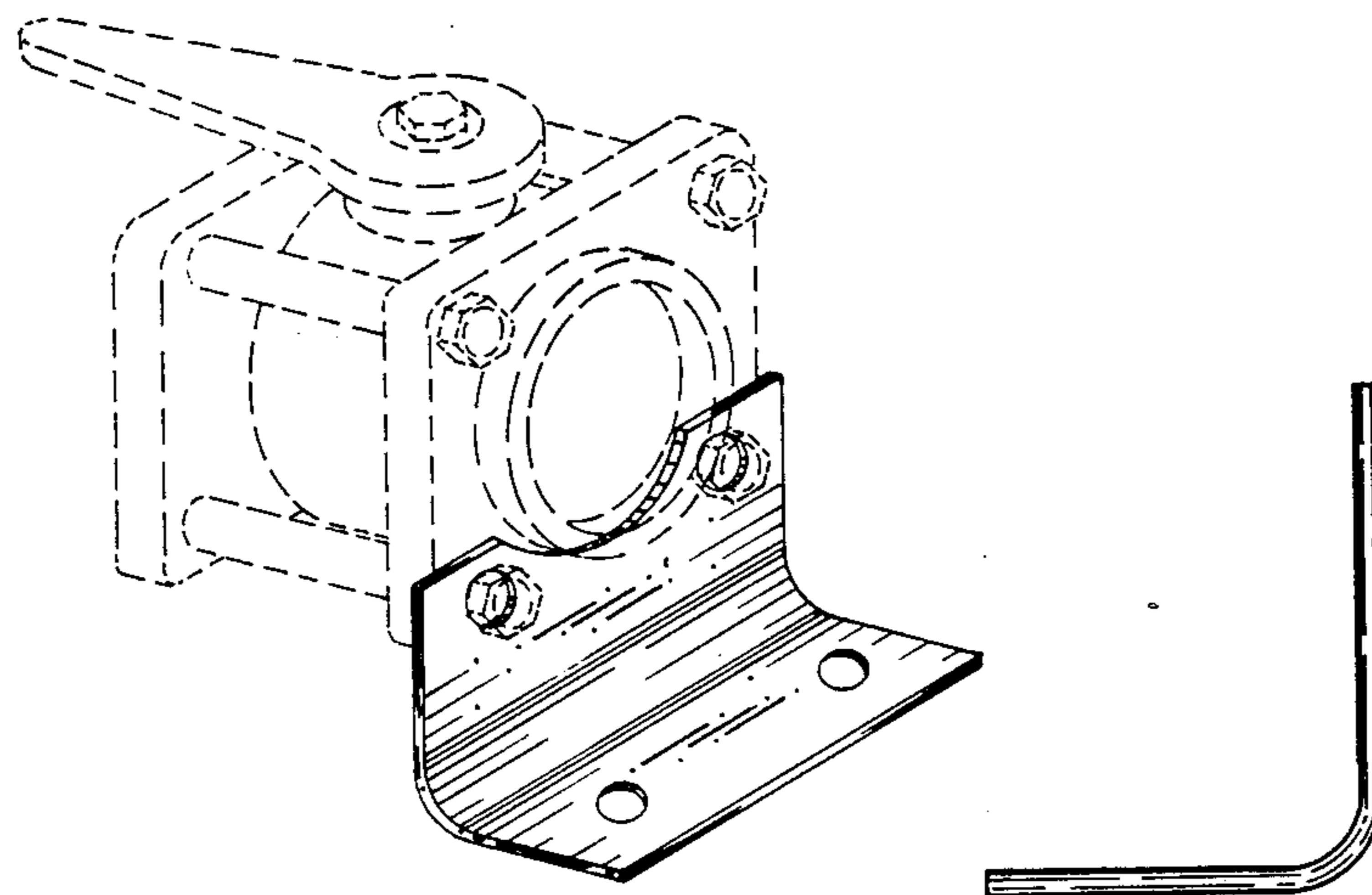
[58] Field of Search 248/674, 300; D8/373,
D8/363

FIG. 1 is a perspective view of a valve stabilizer bracket showing my new design;
FIG. 2 is a front elevational view;
FIG. 3 is a rear elevational view thereof;
FIG. 4 is a top plan view of the valve stabilizer bracket;
FIG. 5 is a bottom plan view thereof; and;
FIG. 6 is a side elevational view thereof, the side opposite view being a mirror image.
The broken line showing of the valve is for illustrative purposes only and forms no part of the claimed design.

[56] References Cited

U.S. PATENT DOCUMENTS

D. 236,348	2/1974	Sabel et al.	D8/363 X
D. 242,966	1/1977	MacMillan	D8/363 X
D. 244,577	6/1977	Glumac	D8/363
D. 284,448	1/1986	Cox et al.	D8/363
D. 298,800	6/1988	Diaz	D8/373
1,392,717	10/1921	Stoner	254/409



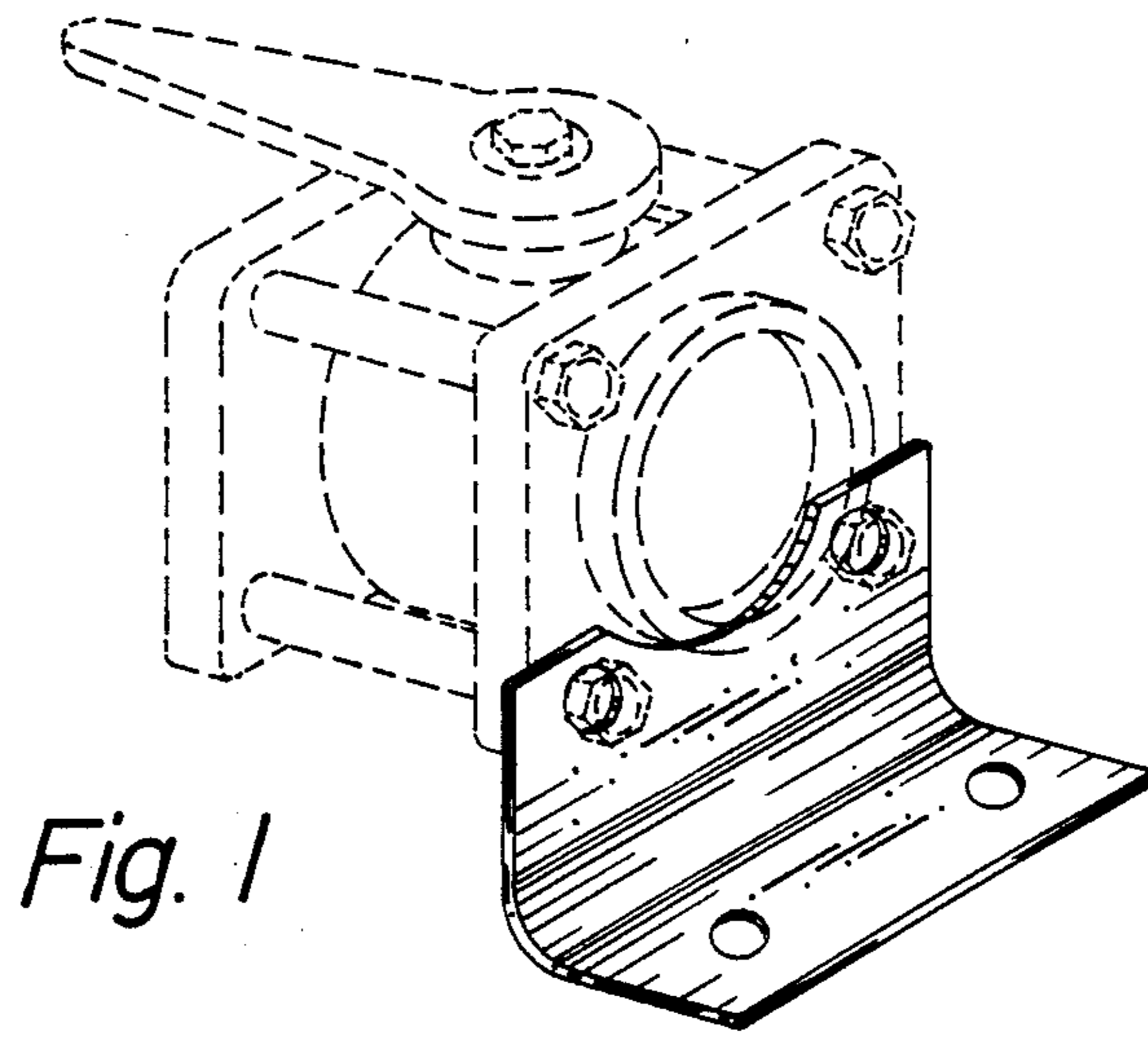


Fig. 1



Fig. 6

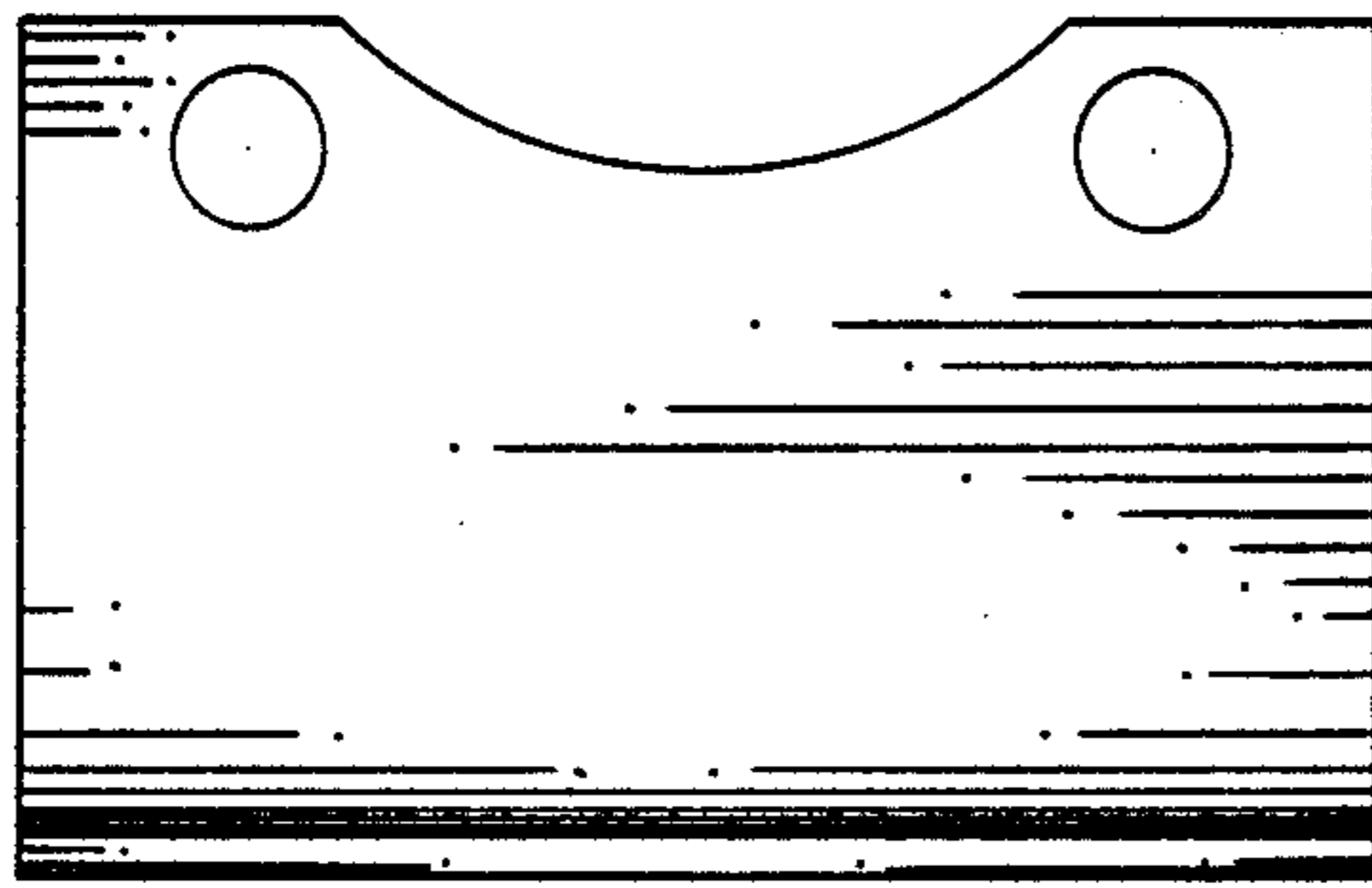


Fig. 2

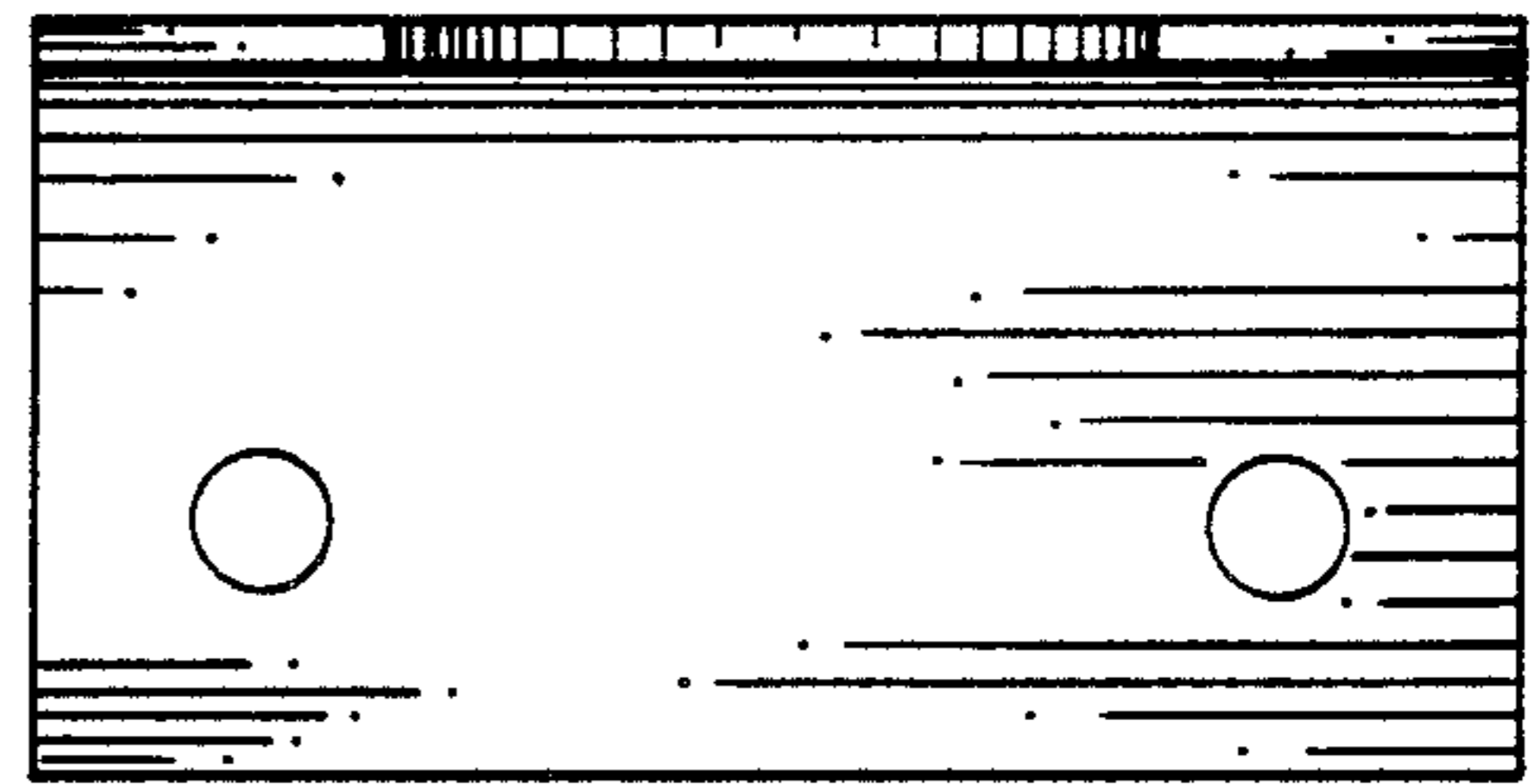


Fig. 4

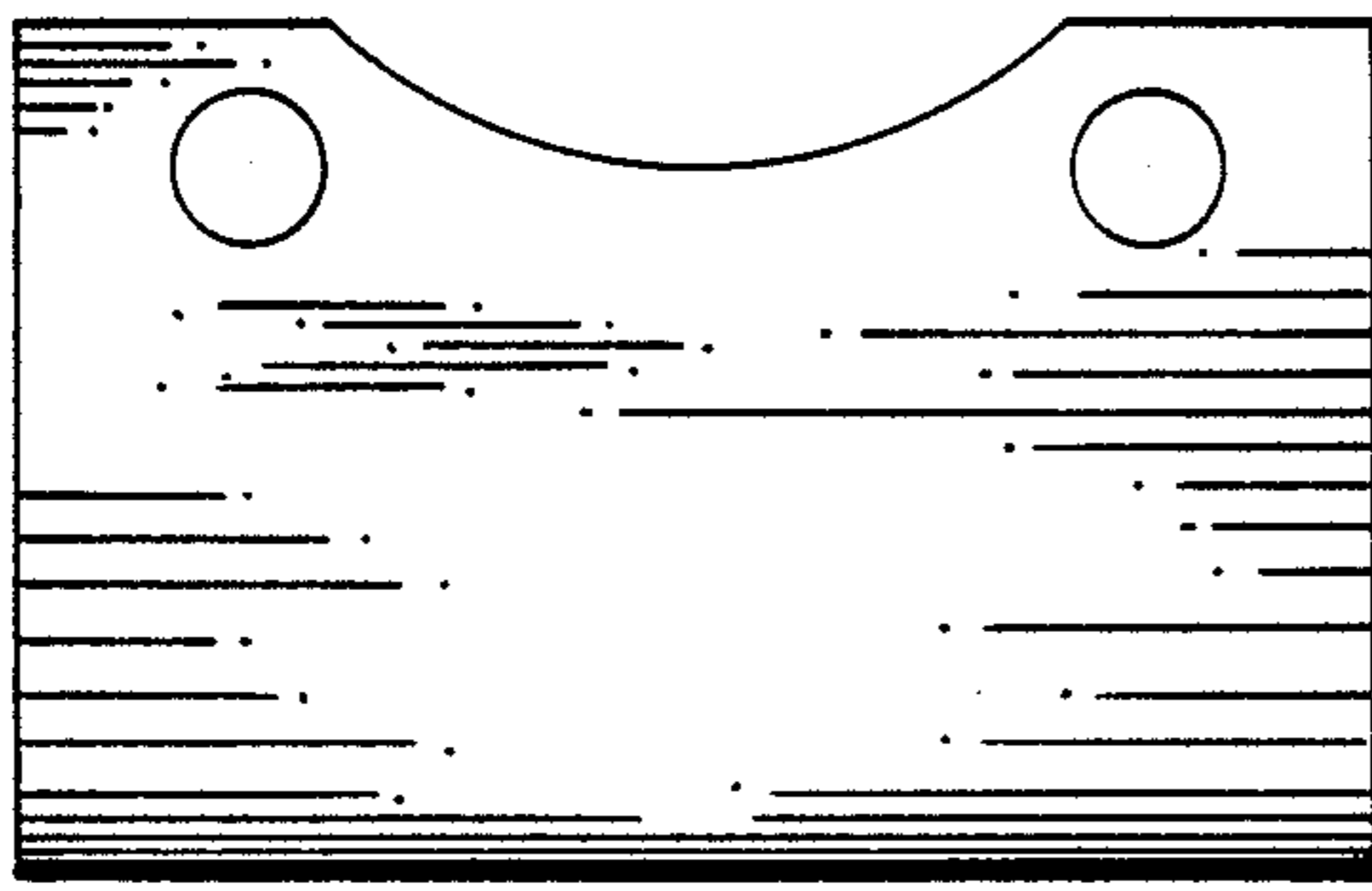


Fig. 3

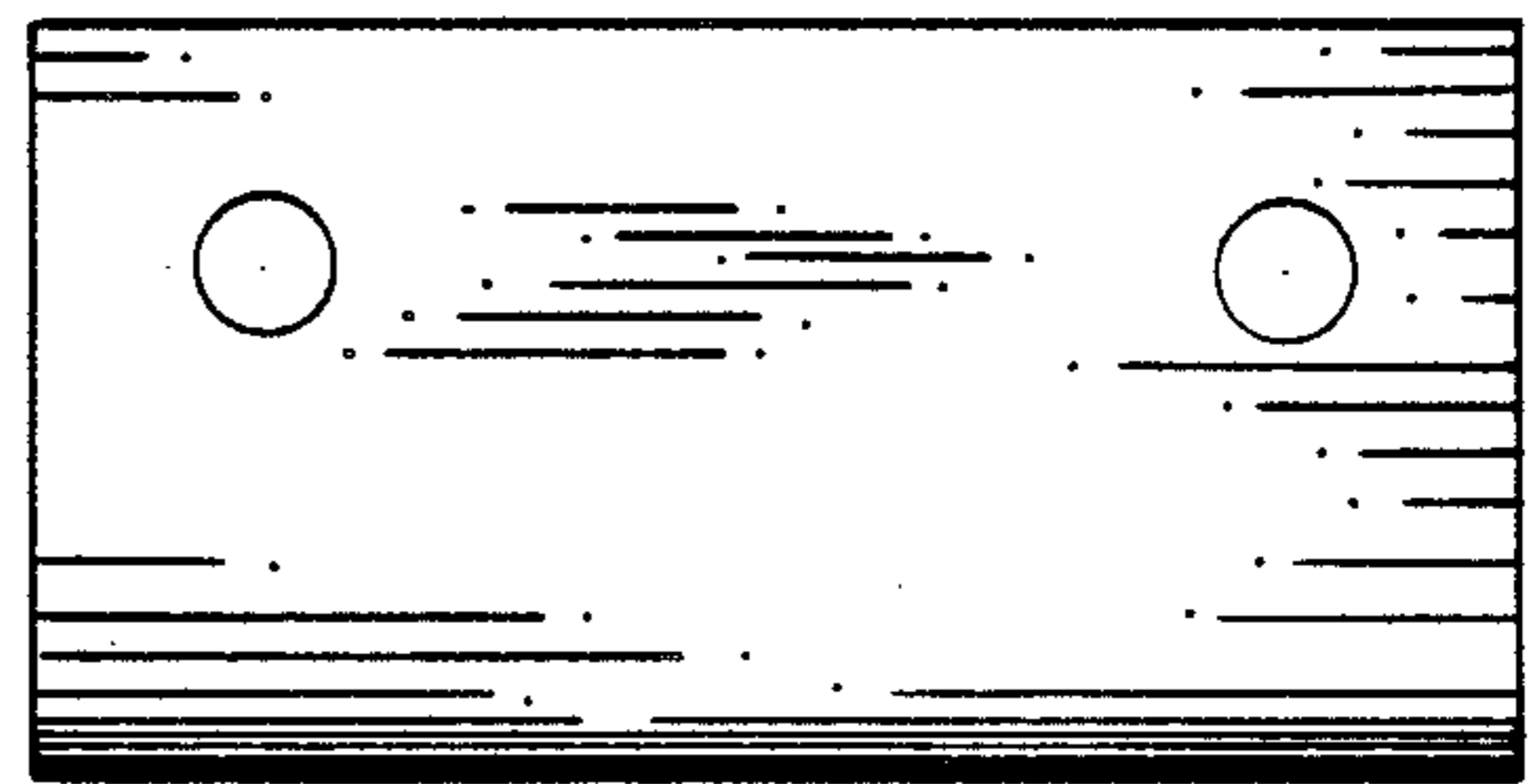


Fig. 5