

United States Patent [19]

Espin

[11] Patent Number: Des. 312,034

[45] Date of Patent: ** Nov. 13, 1990

[54] SCREW DRIVER BIT

[75] Inventor: Mario W. Espin, Charlotte, N.C.

[73] Assignee: Helen P. Espin, Charlotte, N.C. ; a part interest

[**] Term: 14 Years

[21] Appl. No.: 930,873

[22] Filed: Nov. 14, 1986

[52] U.S. Cl. D8/86; D8/70; D15/139

[58] Field of Search D8/82-87; 81/436, 441, 901; D15/139

[56] References Cited

U.S. PATENT DOCUMENTS

539,155	5/1895	Tower	81/436
2,550,635	4/1951	Brown et al.	81/438
2,673,359	3/1954	Stellin	81/436
2,815,054	12/1957	Cummaro	81/441
3,122,963	3/1964	Borgeson	81/436

3,363,500	1/1968	Simko	81/436
3,913,647	10/1975	Arnn	81/441

FOREIGN PATENT DOCUMENTS

747810	4/1933	France	81/436
84698	10/1935	Sweden	81/436
1277117	6/1972	United Kingdom	81/436

Primary Examiner—Bruce W. Dunkins

Assistant Examiner—Clare E. Heflin

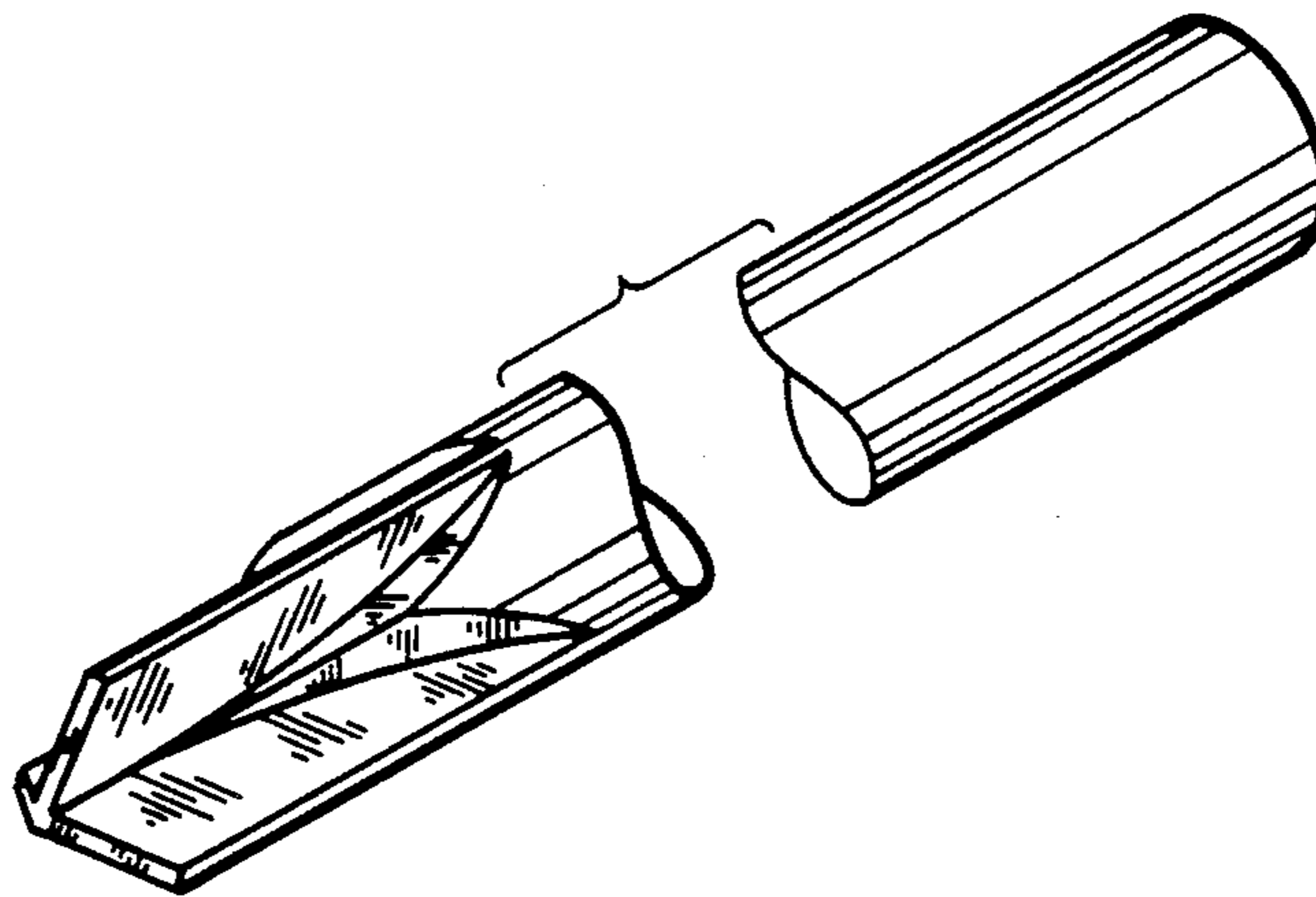
Attorney, Agent, or Firm—Shefte, Pinckney & Sawyer

[57] CLAIM

The ornamental design for a screw driver bit, as shown and described.

DESCRIPTION

FIG. 1 is a top, front and one side perspective view of the screw driver bit showing my new design, the opposite side being identical to the one shown; FIG. 2 is a front elevational view thereof; FIG. 3 is a rear elevational view thereof; FIG. 4 is a top plan view thereof; FIG. 5 is a bottom plan view thereof.



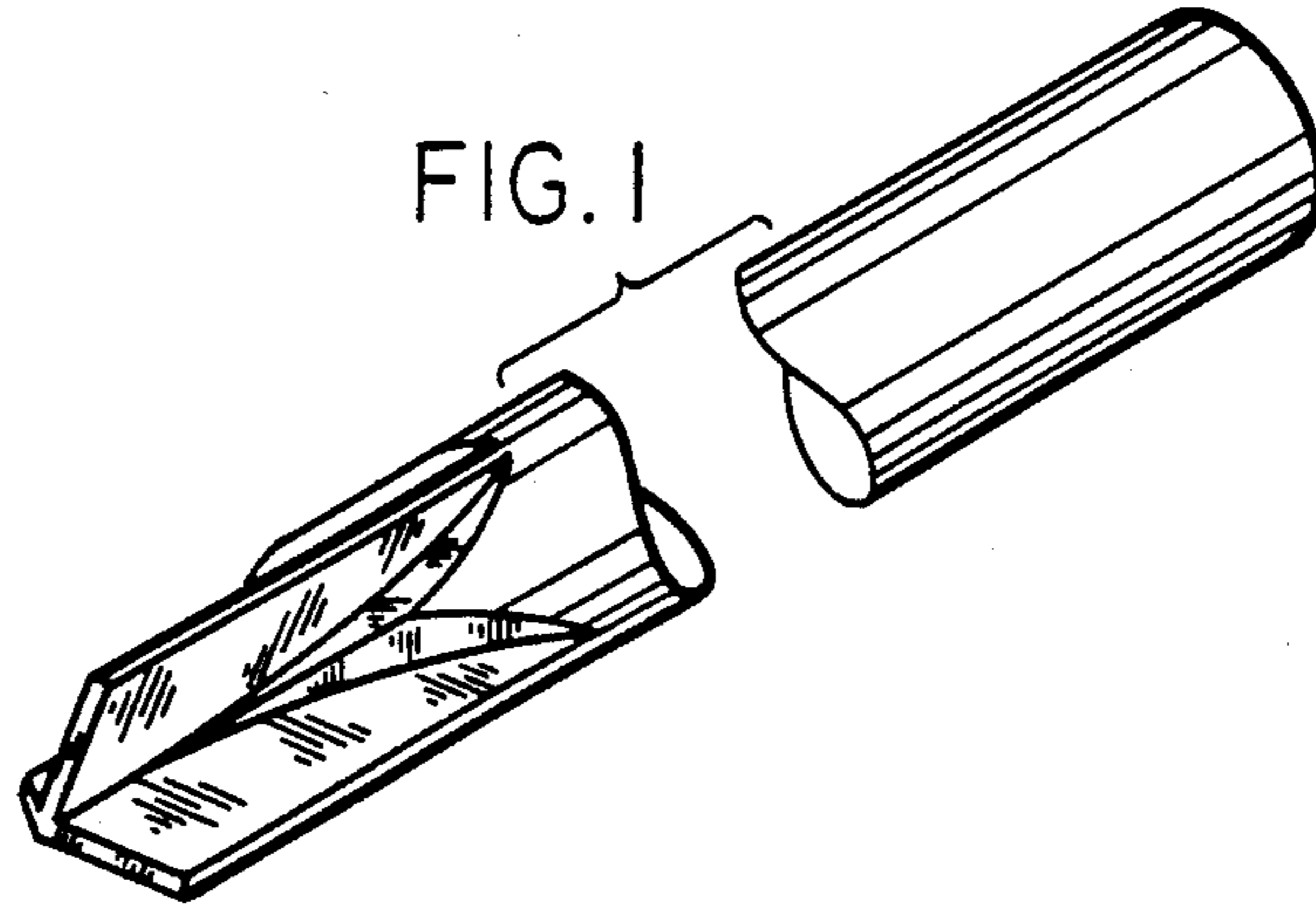


FIG. 2



FIG. 3

