

[54] **HEAD FOR A MANURE FORK**

[76] **Inventor:** Kim B. Brignull, Box 155, R.R. #2, Harlemville Rd., Ghent, N.Y. 12075

[**] **Term:** 14 Years

[21] **Appl. No.:** 325,343

[22] **Filed:** Mar. 17, 1989

[52] **U.S. Cl.** D8/13

[58] **Field of Search** D8/1, 6, 10, 13;
 294/49-55.5

[56] **References Cited**

U.S. PATENT DOCUMENTS

D. 26,746	3/1897	Pease	D8/13
D. 219,884	2/1971	Patton	D8/10
D. 292,261	10/1987	Milton	D8/11 X
1,267,778	5/1918	Leen	294/55
2,537,365	1/1951	Montavon	294/49
3,063,174	11/1962	Ludin	D8/10 X
3,094,348	6/1963	Preziosi	294/55.5
3,310,332	3/1967	Nelson	294/55.5

OTHER PUBLICATIONS

Pritzlaff Hardware Cat. #90 (1939), p. 380, Vegetable Scoop Fork—Otsego Brand.

Pritzlaff Hardware Cat. #90 (1939), p. 401, Fruit Picker.

Primary Examiner—Wallace R. Burke

Assistant Examiner—Brian N. Vinson

Attorney, Agent, or Firm—Schmeiser, Morelle & Watts

[57] **CLAIM**

The ornamental design for a head for a manure fork, as shown and described.

DESCRIPTION

FIG. 1 is a top and right side perspective view of a head for a manure fork showing my new design;
 FIG. 2 is a right side elevational view thereof, the left side being a mirror image of that shown;
 FIG. 3 is a top plan view thereof; and
 FIG. 4 is an enlarged vertical cross-sectional view thereof, taken in the direction of line 4—4 of FIGS. 2 and 3.

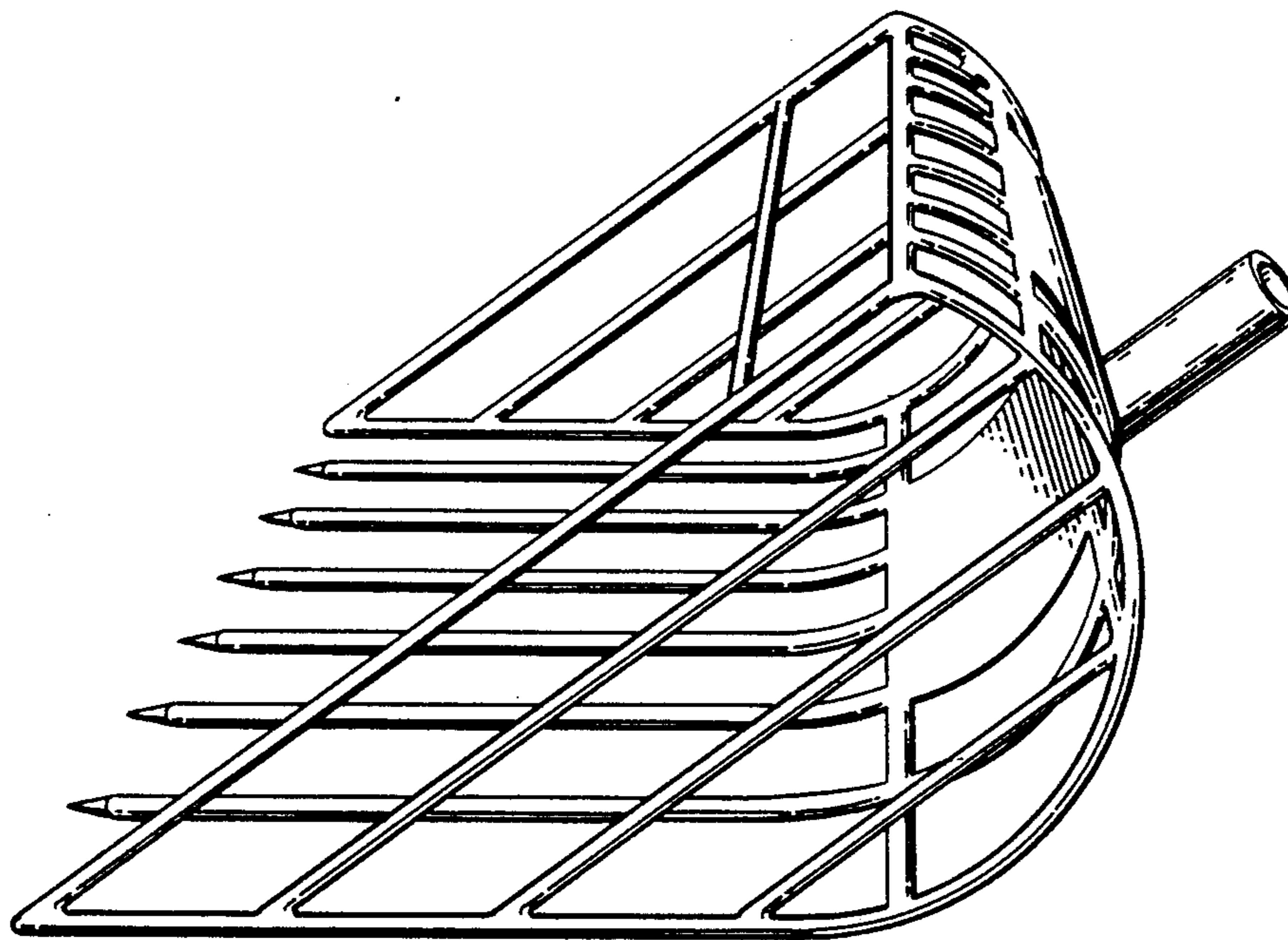


FIG. 1

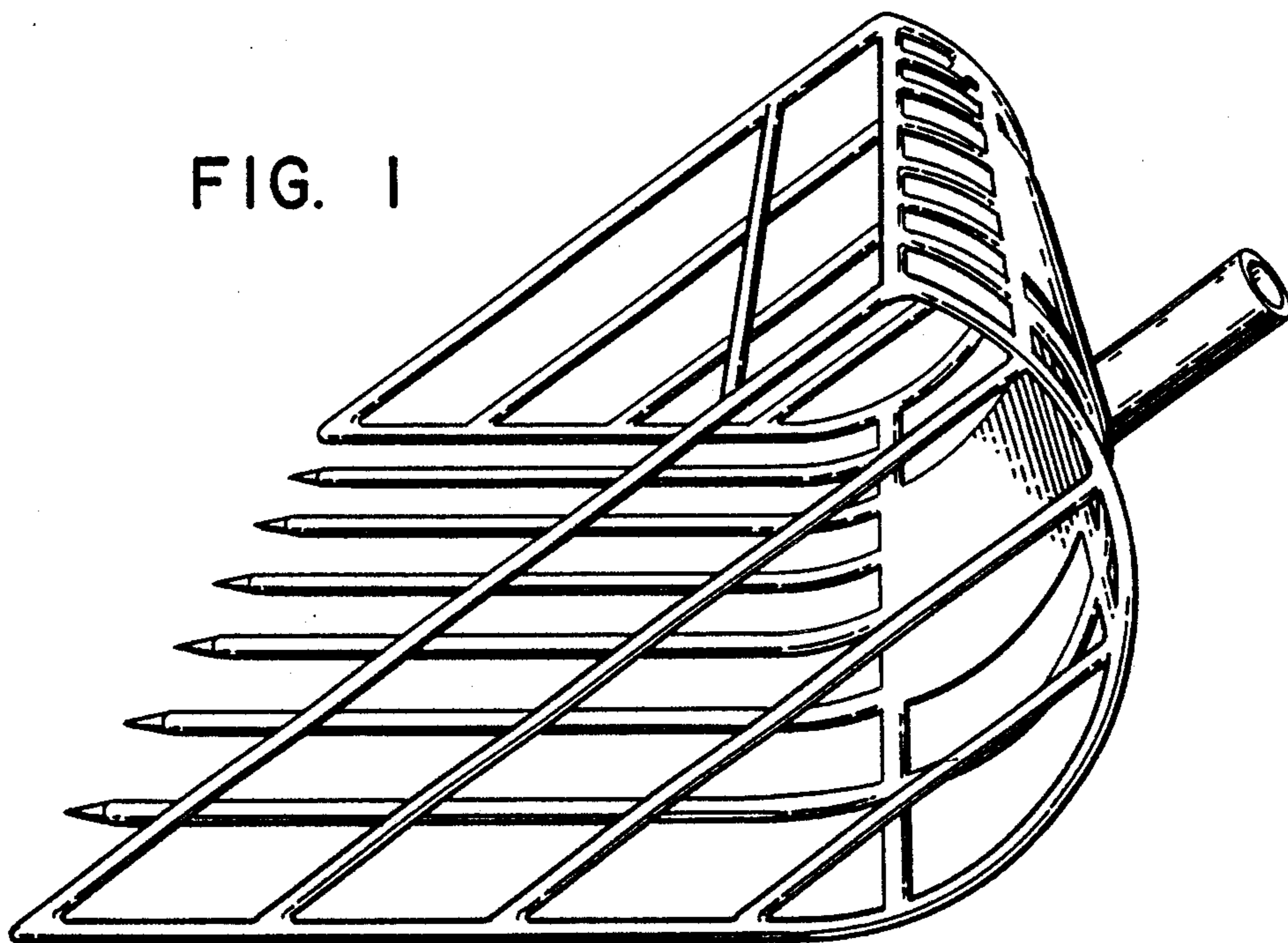
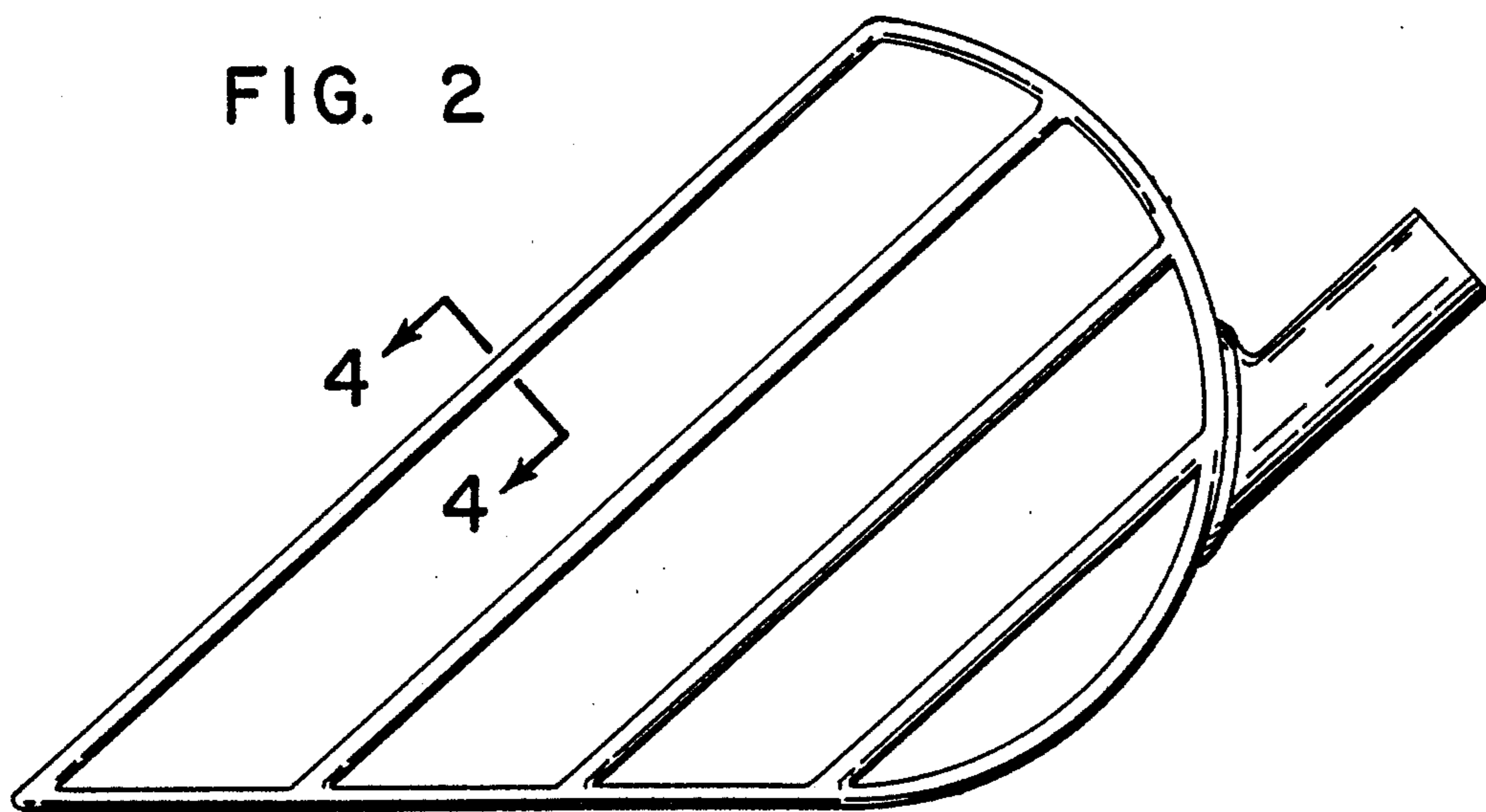


FIG. 2



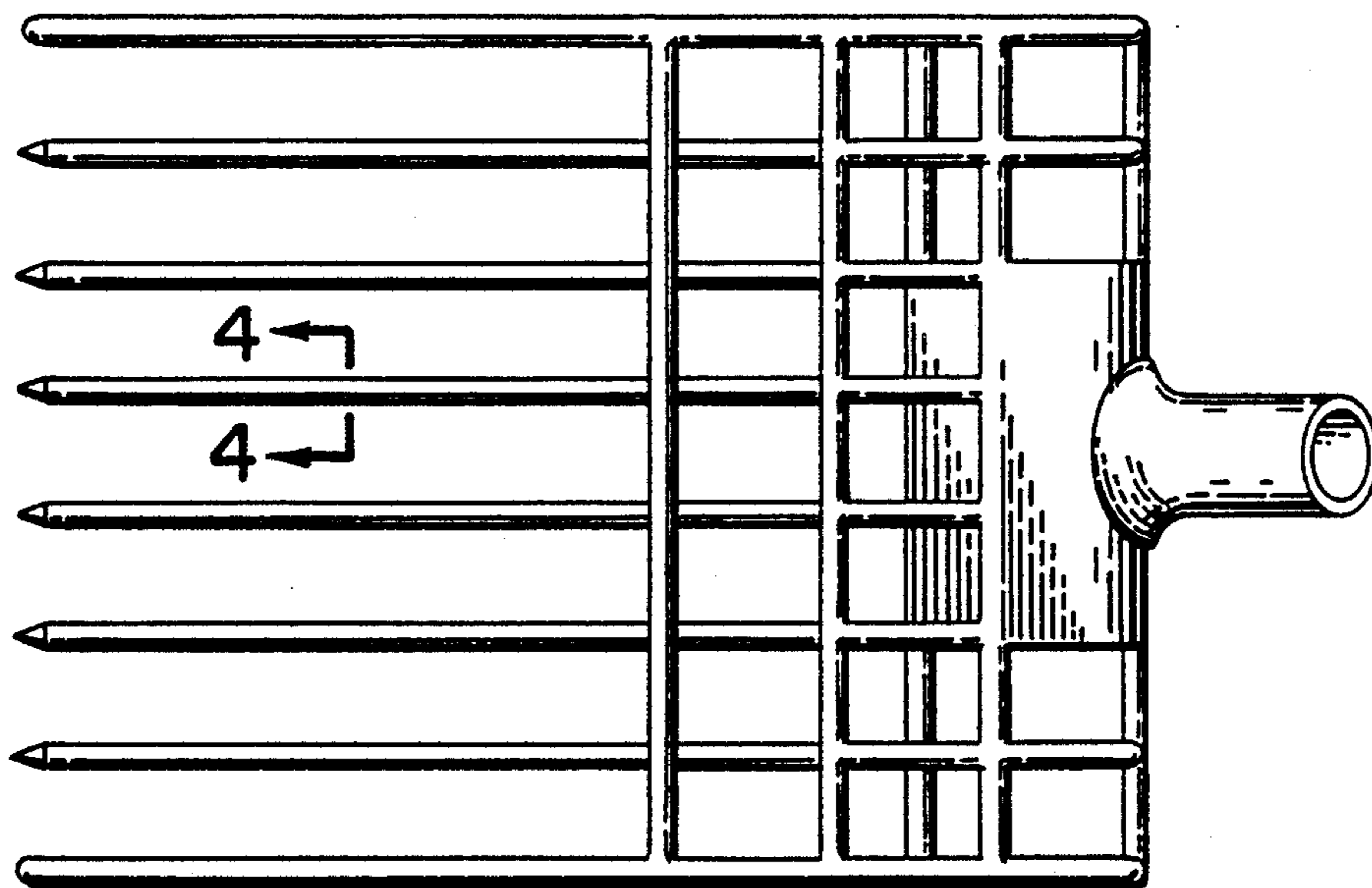


FIG. 3



FIG. 4