

[54] DECORATIVE DRINK COASTER

[76] Inventor: Norman R. Pinette, Jr., 159 Forest Ave., Seekonk, Mass. 02771

[\*\*] Term: 14 Years

[21] Appl. No.: 216,452

[22] Filed: Jul. 8, 1988

[52] U.S. Cl. .... D7/624

[58] Field of Search ..... D7/624-625, D7/619; 215/100.5; 248/311.2, 346.1; 220/85 H; D27/102, 133-135; D9/455; D19/65, 75

[56] References Cited

U.S. PATENT DOCUMENTS

- D. 190,358 5/1961 Scheuerlein ..... D27/133
- D. 219,083 10/1970 McKee ..... D27/102
- 4,858,873 8/1989 Wilmoth et al. .... 215/100.5 X

Primary Examiner—Bernard Ansher  
Assistant Examiner—Terry A. Pfeffer

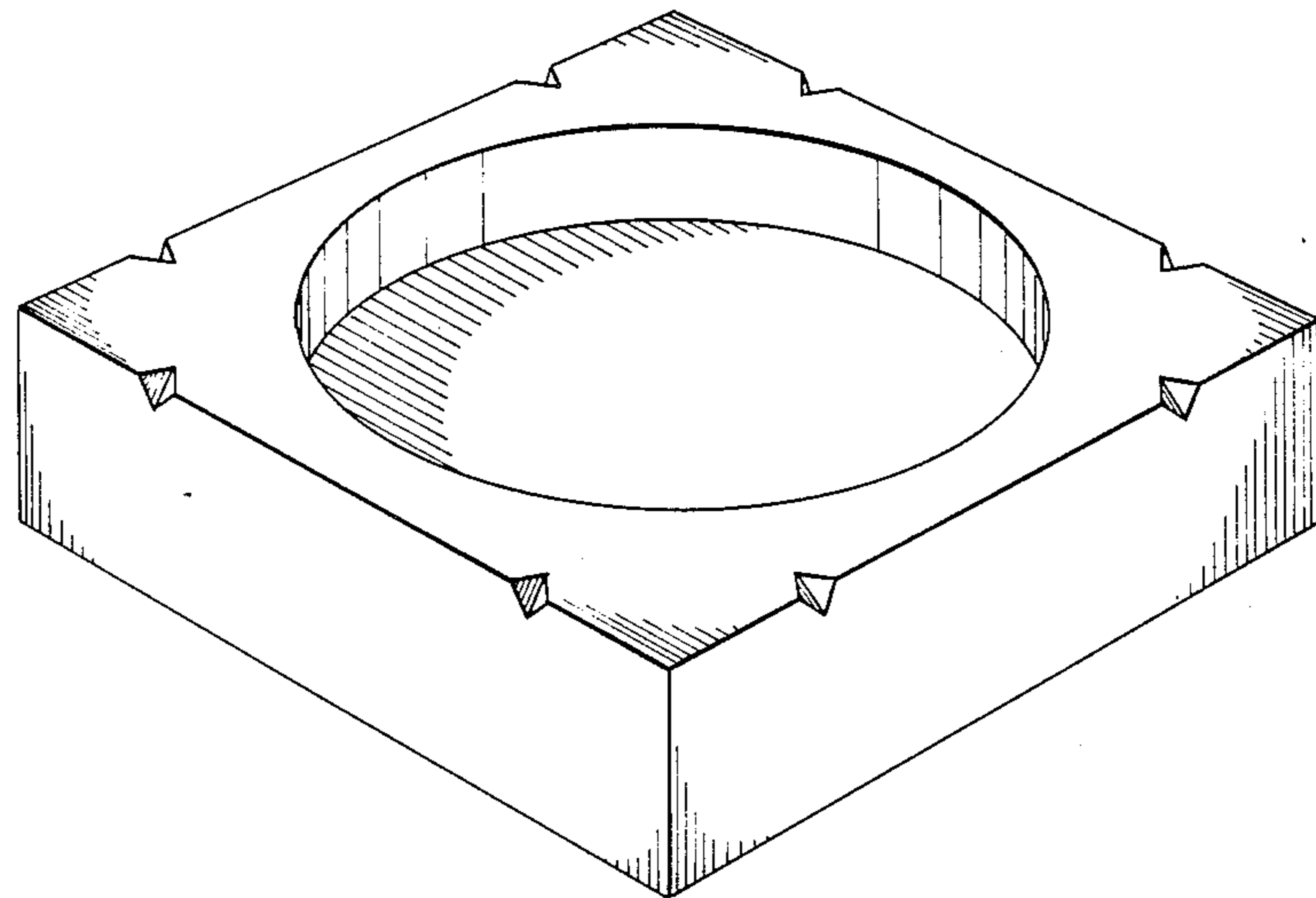
Attorney, Agent, or Firm—Robert J. Doherty

[57] CLAIM

The ornamental design for a decorative drink coaster, as shown and described.

DESCRIPTION

FIG. 1 is a front perspective view of a decorative drink coaster showing my new design;  
 FIG. 2 is a top plan view thereof;  
 FIG. 3 is a bottom plan view thereof;  
 FIG. 4 is a side elevational view thereof, the remaining three side elevational views being substantially identical thereto;  
 FIG. 5 is a front perspective view of a modified embodiment of FIG. 1;  
 FIG. 6 is a top plan view of FIG. 5;  
 FIG. 7 is a bottom plan view of FIG. 5; and  
 FIG. 8 is a side elevational view of FIG. 5, the remaining three sides elevational views being substantially identical thereto.



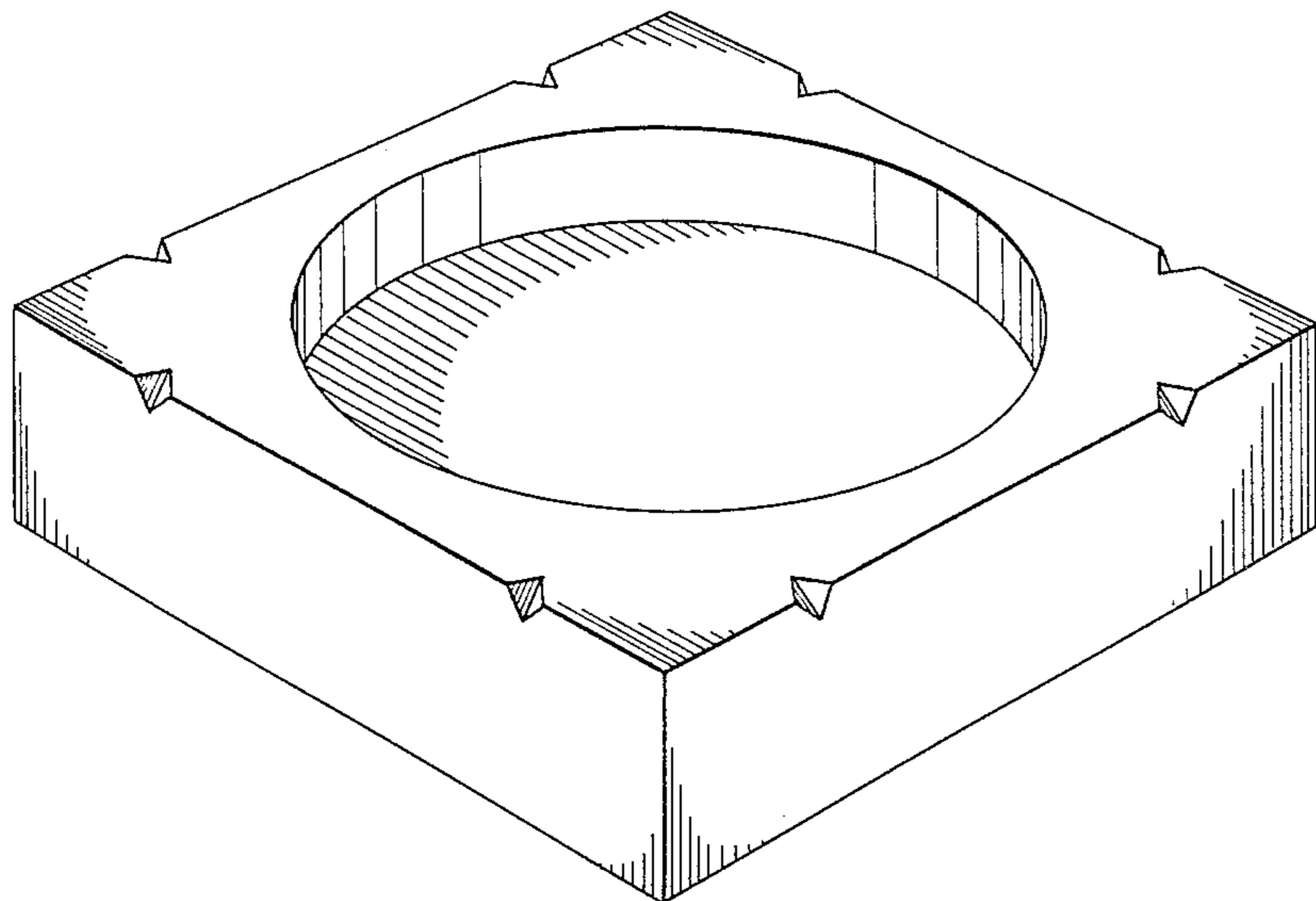


FIG. 1

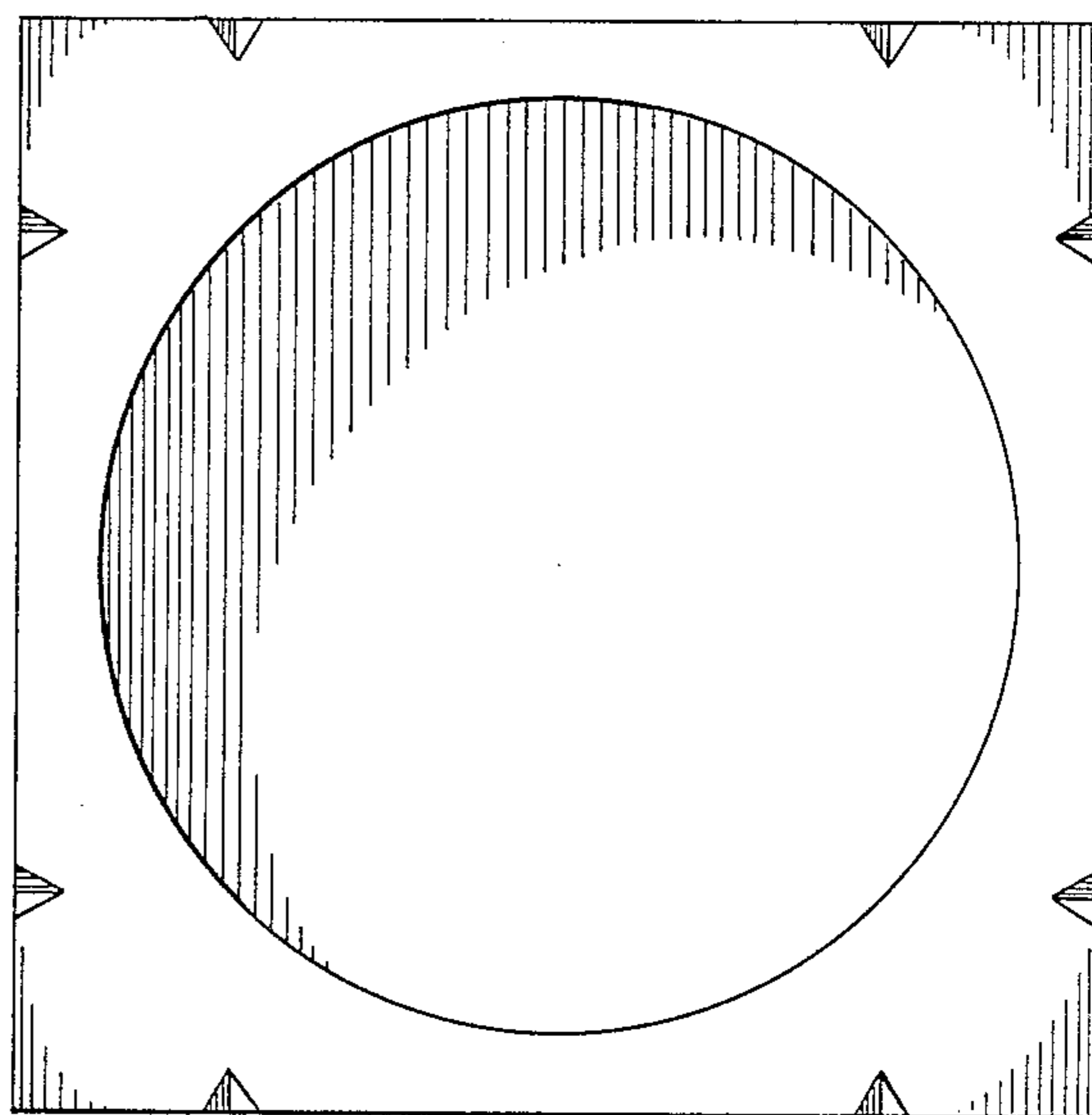


FIG. 2

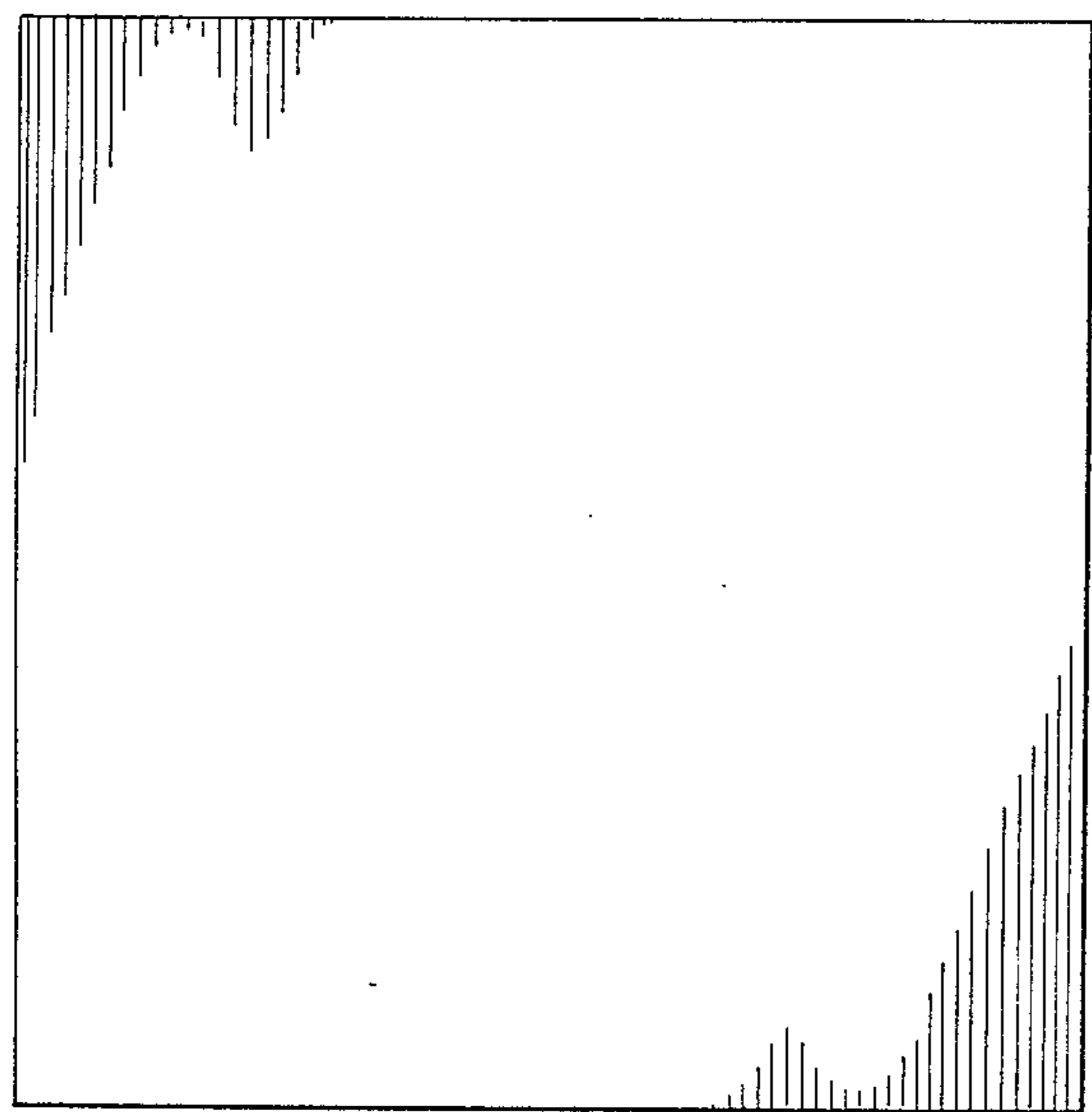


FIG. 3

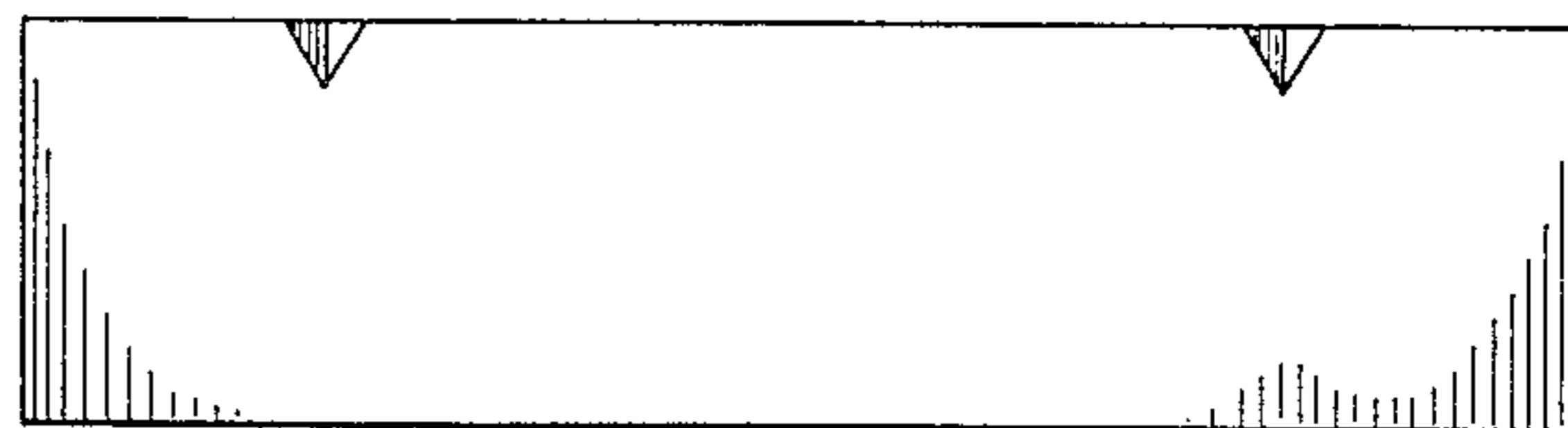


FIG. 4

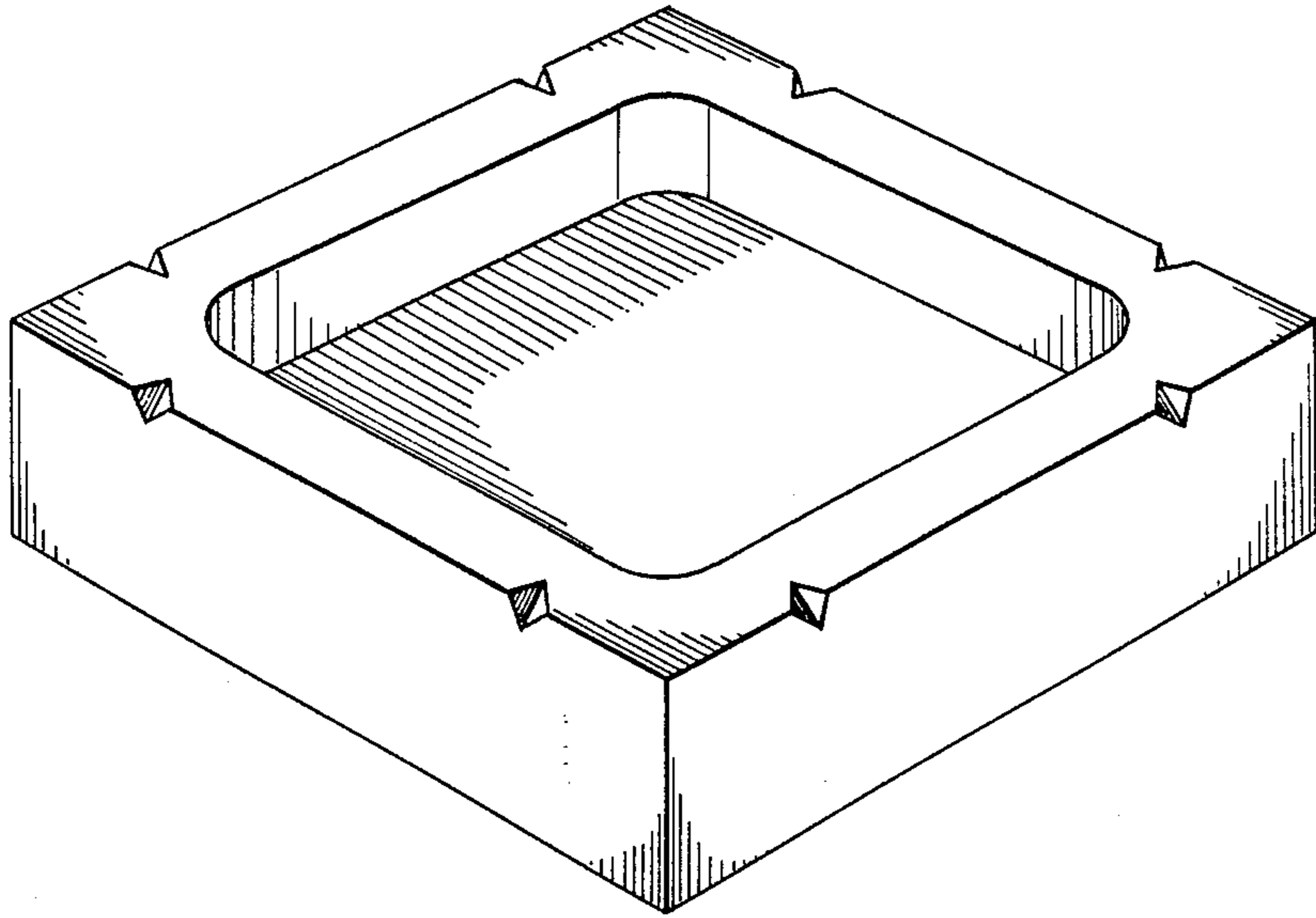


FIG. 5

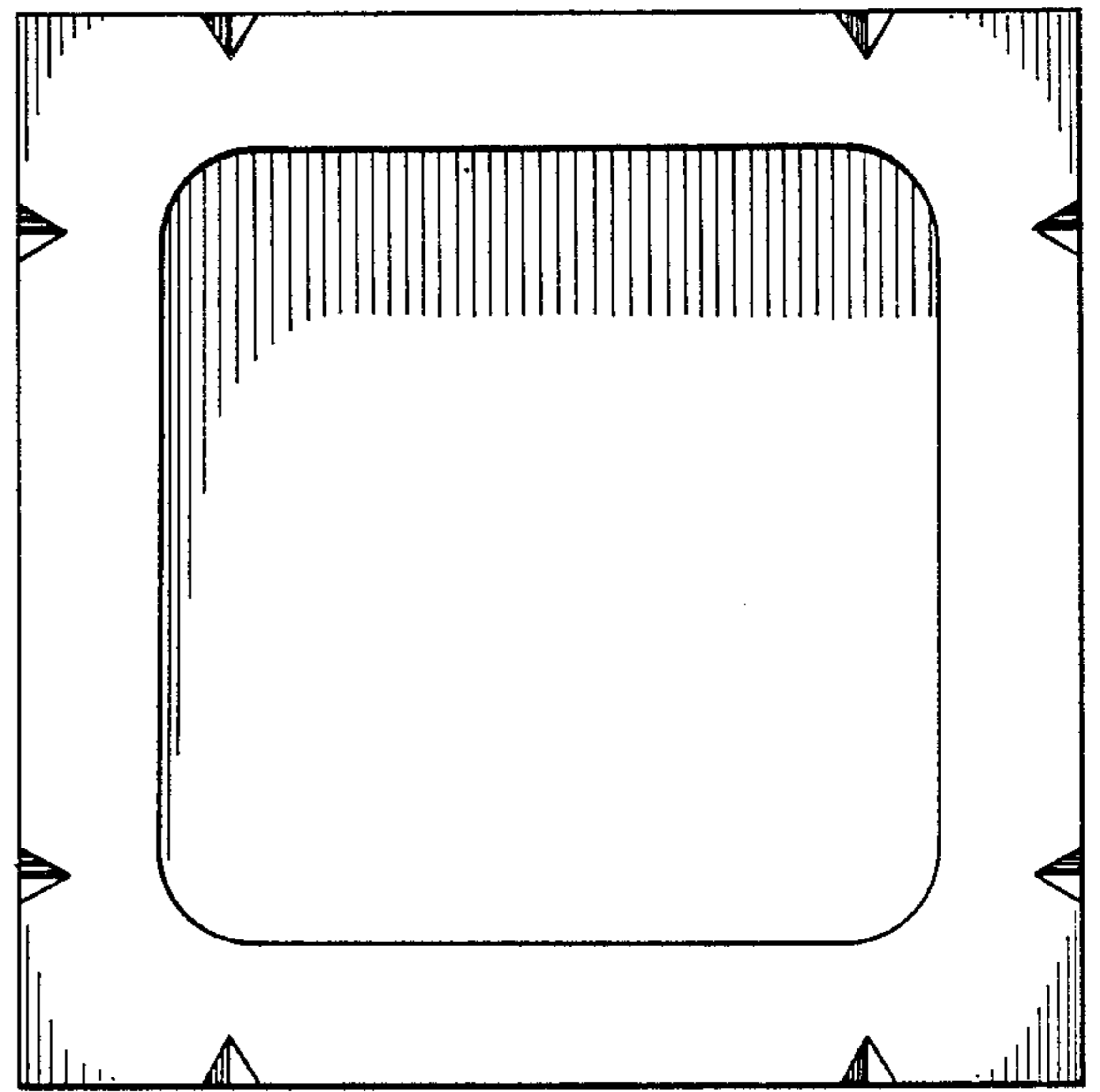


FIG. 6

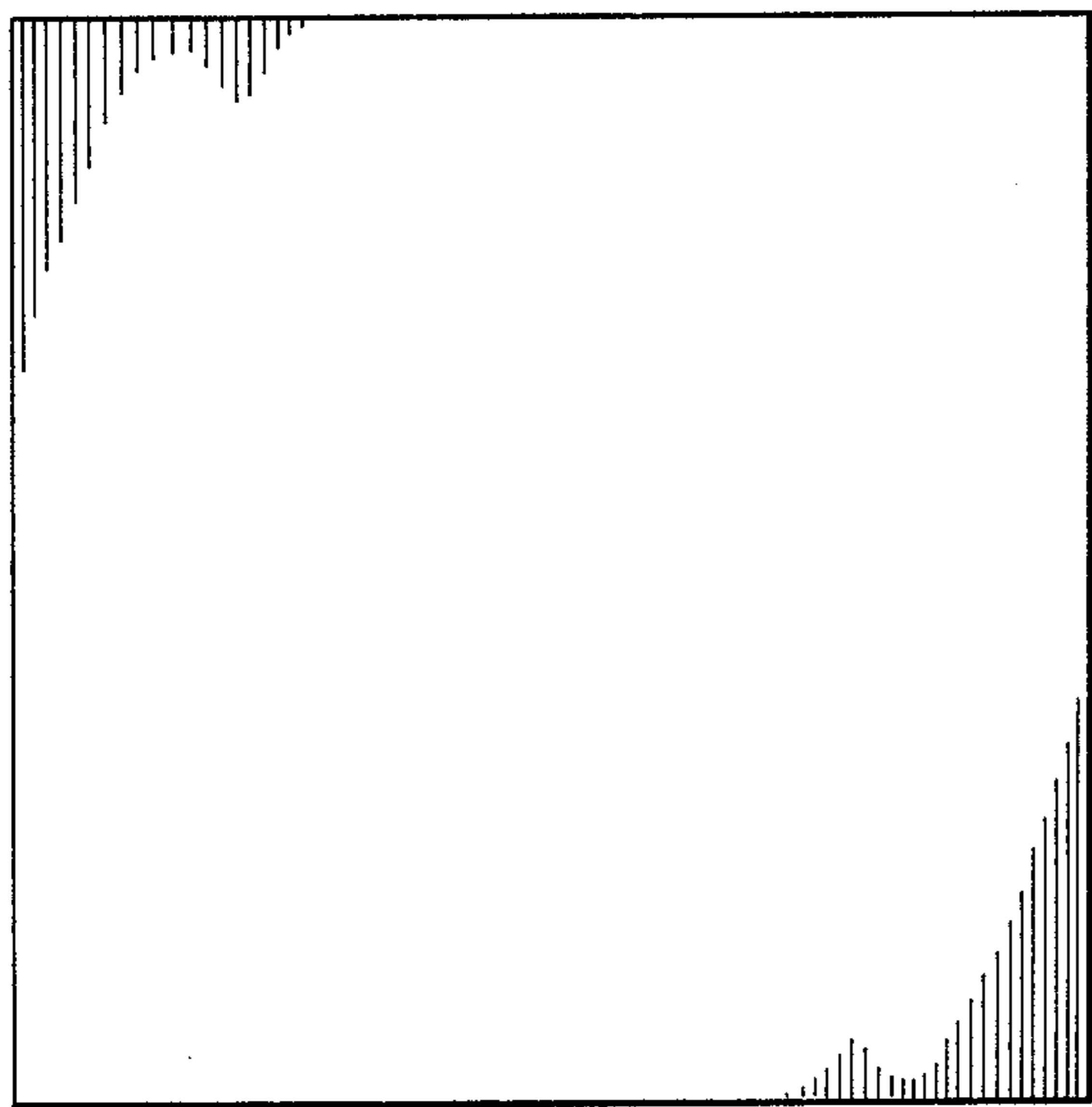


FIG. 7

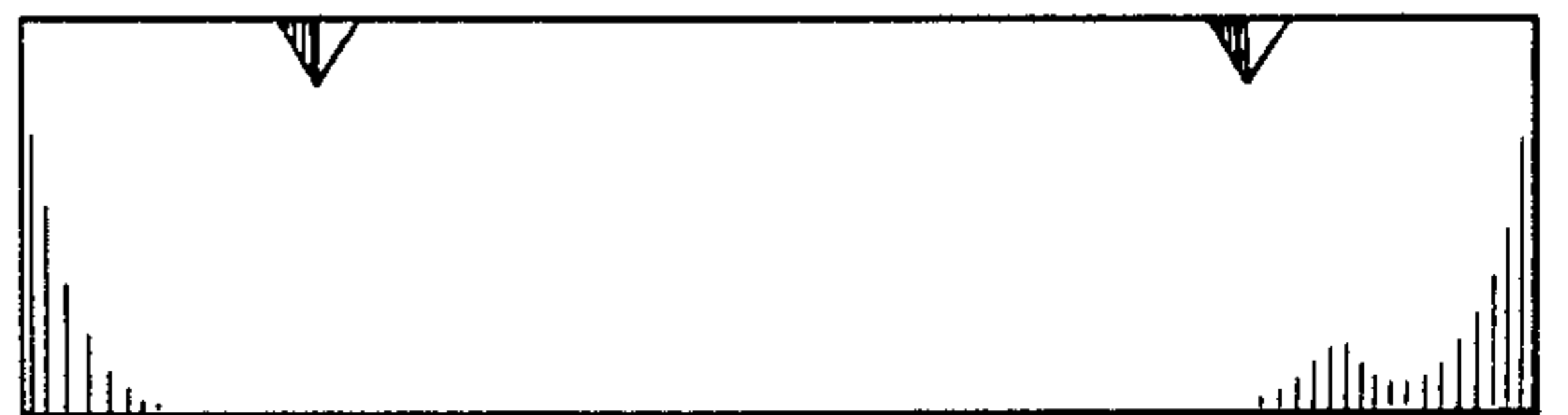


FIG. 8