

[54] COMPARTMENTED FOOD TRAY

[56] References Cited

[75] Inventors: Patricia A. Antoni, Wheeling; Theodore R. Arneson, Mt. Prospect; Thomas J. Hayes, Wauconda; Timothy J. Nolan, Streamwood; Marilyn Stapleton, Wheeling, all of Ill.

U.S. PATENT DOCUMENTS

D. 163,110	5/1951	Forman	D7/552 X
D. 166,523	4/1952	Black	D7/546
D. 225,364	12/1972	Antoni	D7/552
2,352,684	7/1944	Braddock	D7/557 X
4,351,164	9/1982	Christiani	62/315

Primary Examiner—Winifred E. Herrmann
Attorney, Agent, or Firm—Neuman, Williams, Anderson & Olson

[73] Assignee: Ekco Products, Inc., Wheeling, Ill.

[57] CLAIM

[**] Term: 14 Years

The ornamental design for a compartmented food tray, as shown and described.

[21] Appl. No.: 169,365

DESCRIPTION

[22] Filed: Mar. 17, 1988

FIG. 1 is a top plan view of a compartmented food tray showing our new design;
FIG. 2 is a side elevational view thereof;
FIG. 3 is a bottom plan view thereof;
FIG. 4 is an enlarged cross-sectional view thereof, taken on line 4—4 of FIG. 1; and
FIG. 5 is an enlarged cross-sectional view thereof, taken on line 5—5 of FIG. 1.

[52] U.S. Cl. D7/552; D7/557; D9/341

[58] Field of Search D9/341, 456, 429, 428, D9/424, 425; D7/546, 552, 557, 555, 554, 553, 570, 566, 549, 357, 546, 584

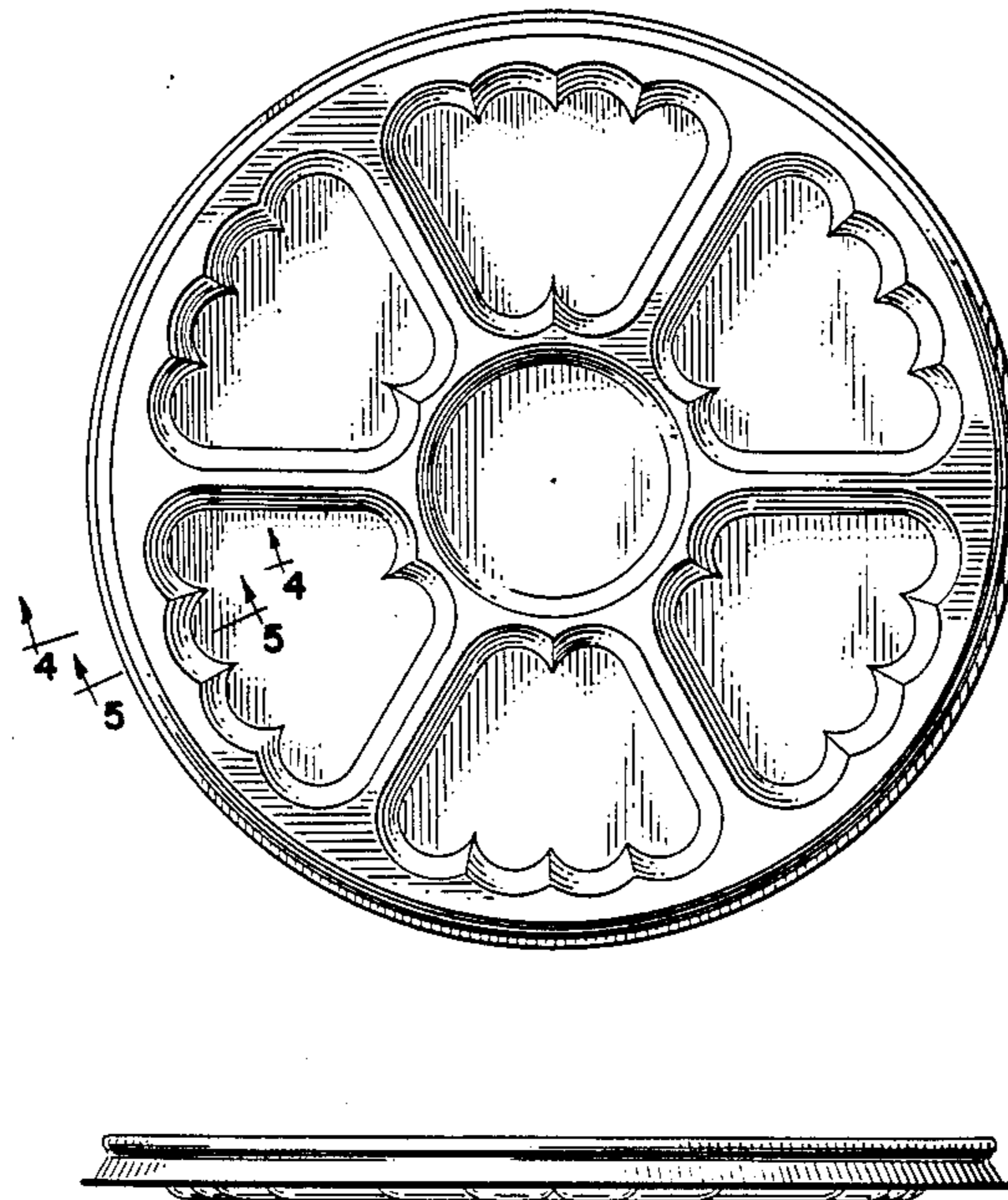


FIG. 1

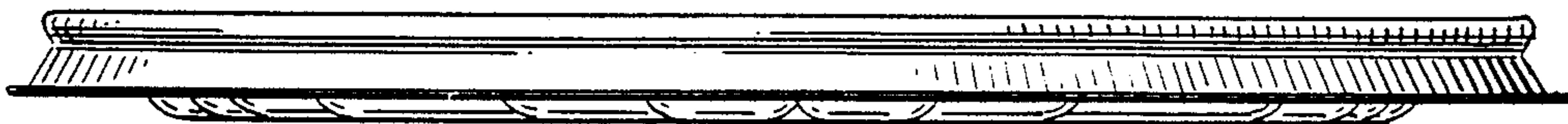
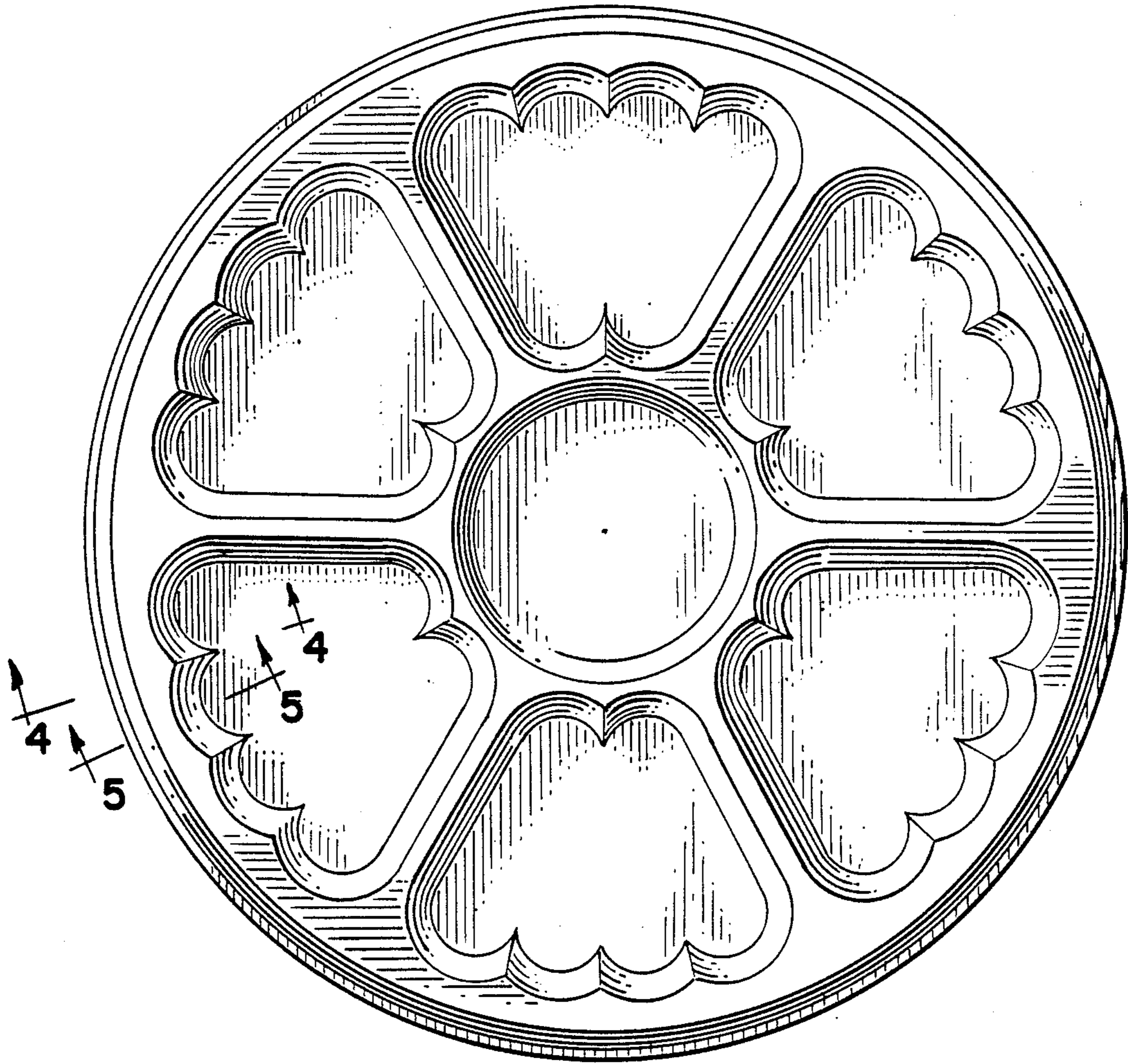


FIG. 2

FIG. 3

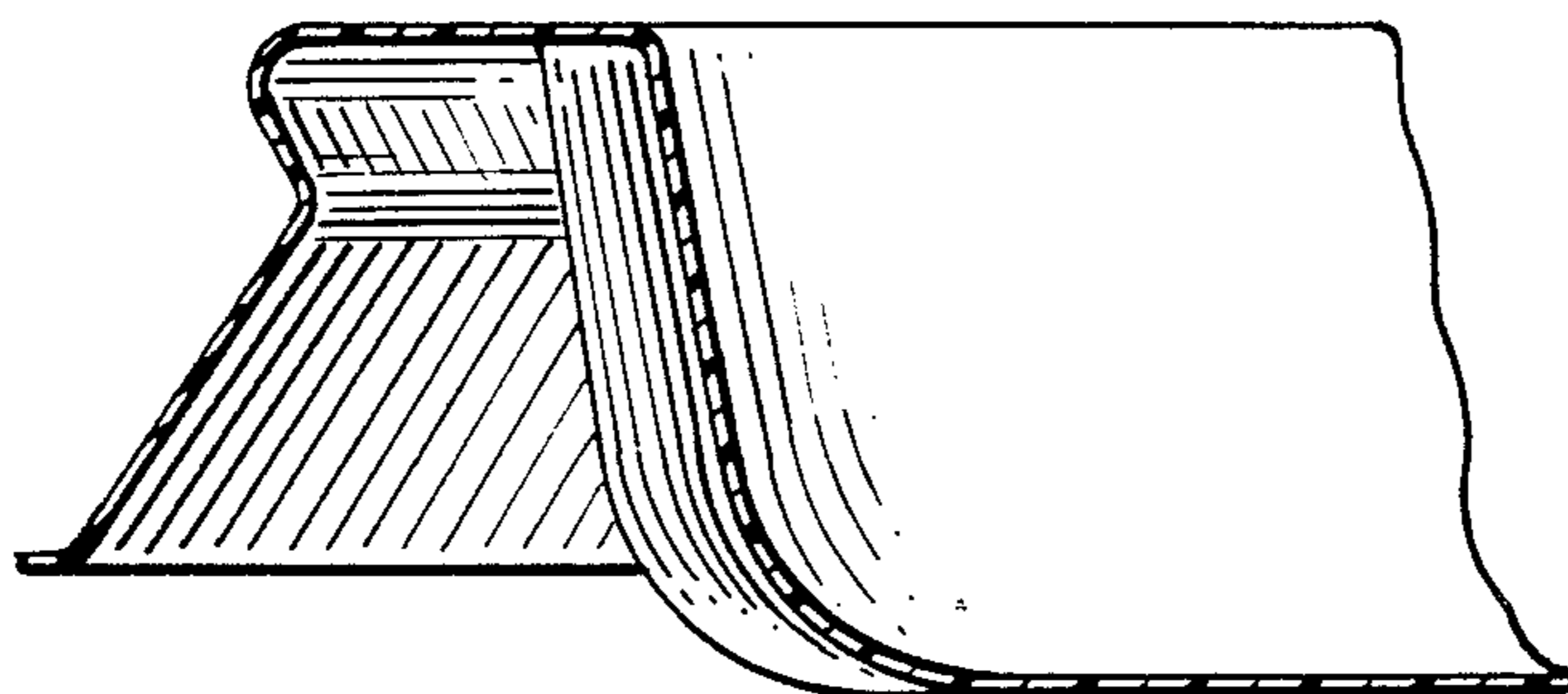
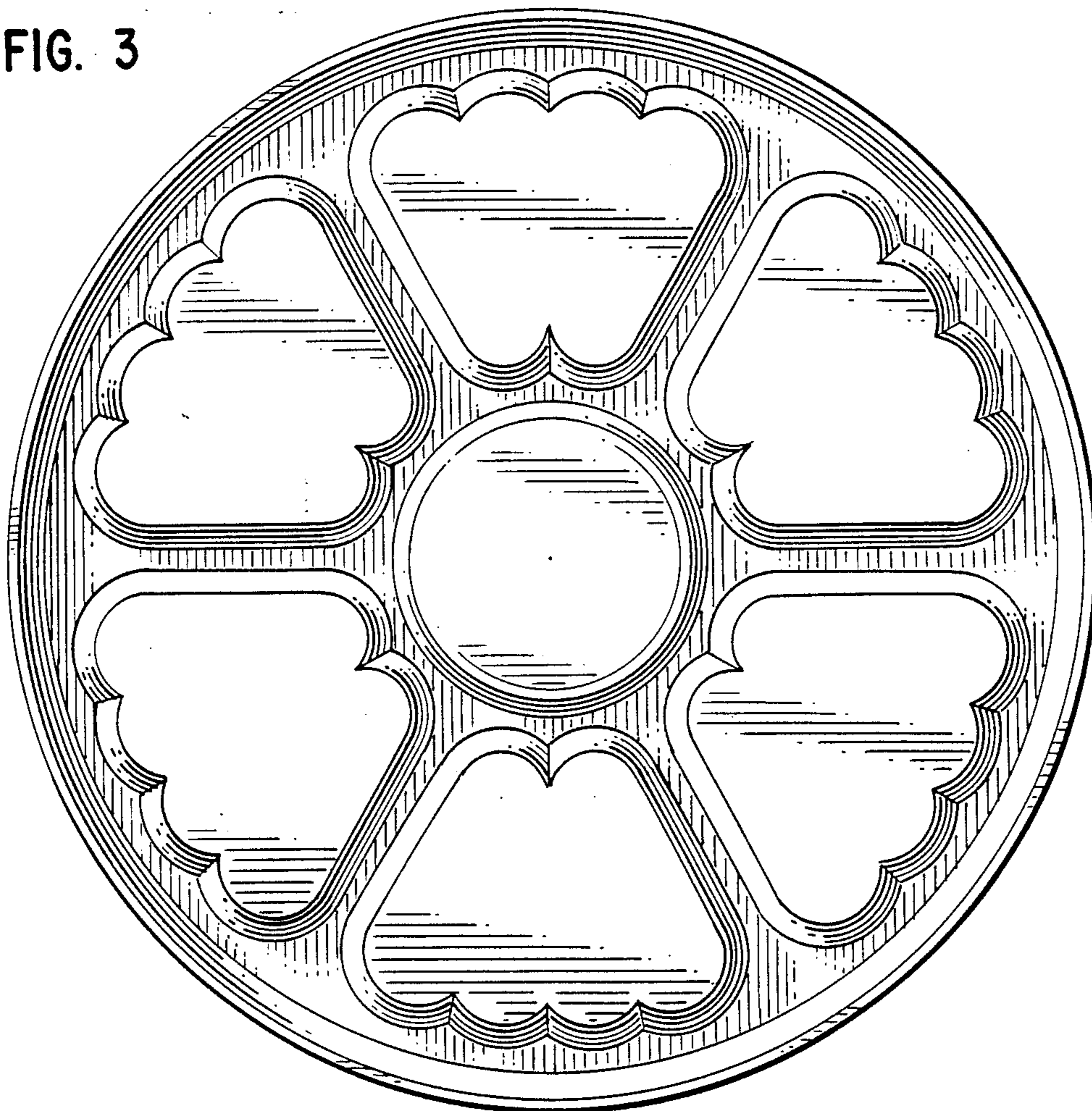


FIG. 4

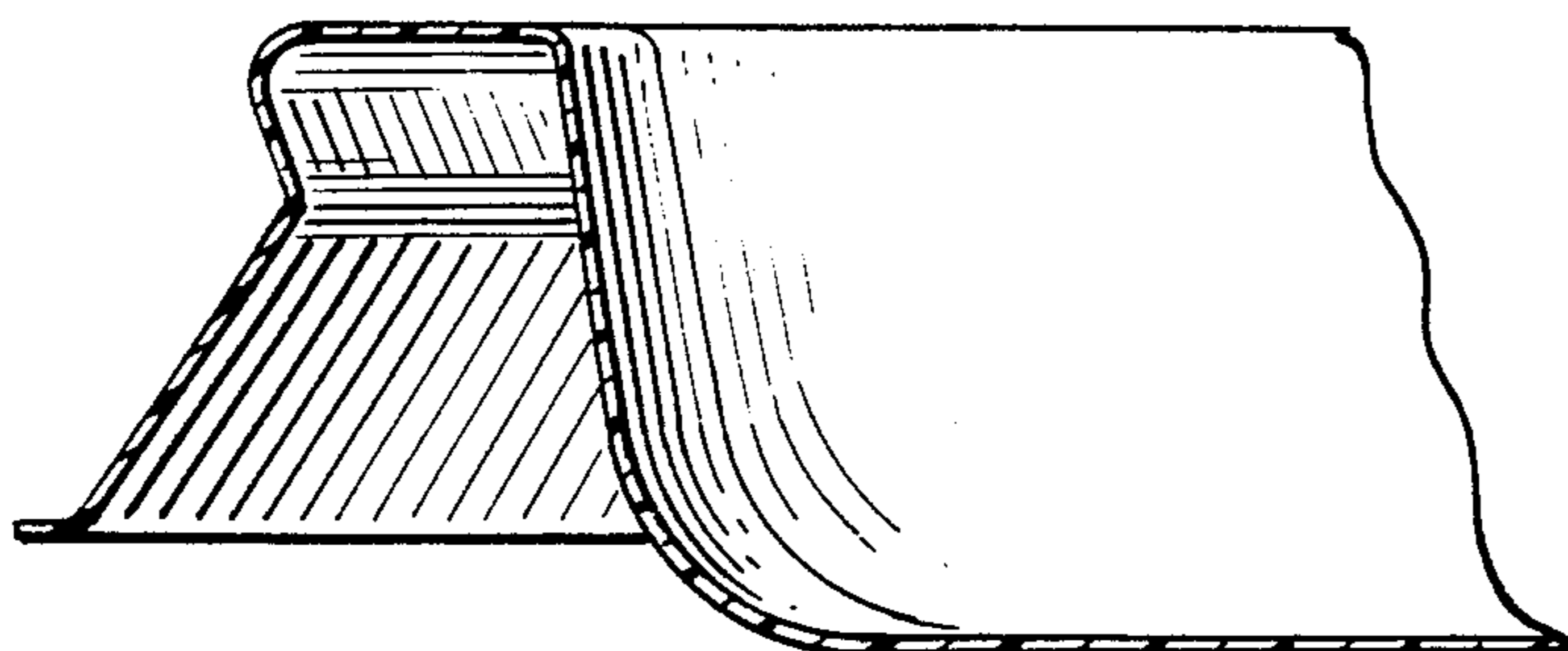


FIG. 5