

[54] FOOD TRAY

[75] Inventors: Patricia A. Antoni, Wheeling; Theodore R. Arneson, Mt. Prospect; Thomas J. Hayes, Wauconda; Timothy J. Nolan, Streamwood; Marilyn Stapleton, Wheeling, all of Ill.

[73] Assignee: Ekco Products, Inc., Wheeling, Ill.

[\*\*] Term: 14 Years

[21] Appl. No.: 169,361

[22] Filed: Mar. 17, 1988

[52] U.S. Cl. .... D7/552; D7/570; D9/429

[58] Field of Search ..... D9/429, 428, 456, 424, D9/425; D7/555, 557, 584, 585, 548, 500, 550, 552-554, 566, 570

[56]

References Cited

U.S. PATENT DOCUMENTS

D. 66,776	3/1925	McDonald .....	D7/585
D. 102,862	1/1937	Sebring .....	D7/570
D. 114,173	4/1939	Cruveilhaer .....	D7/570
D. 195,699	7/1963	Bostrom .....	D9/429
3,545,645	12/1970	Smith .....	D9/429 X

Primary Examiner—Winifred E. Herrmann  
Attorney, Agent, or Firm—Neuman, Williams, Anderson & Olson

[57]

CLAIM

The ornamental design for a food tray, as shown and described.

DESCRIPTION

FIG. 1 is a top plan view of a food tray showing our new design;  
FIG. 2 is a side elevational view thereof;  
FIG. 3 is a bottom plan view thereof;  
FIG. 4 is an enlarged cross-sectional view thereof, taken on line 4—4 of FIG. 1; and  
FIG. 5 is an enlarged cross-sectional view thereof, taken on line 5—5 of FIG. 1.

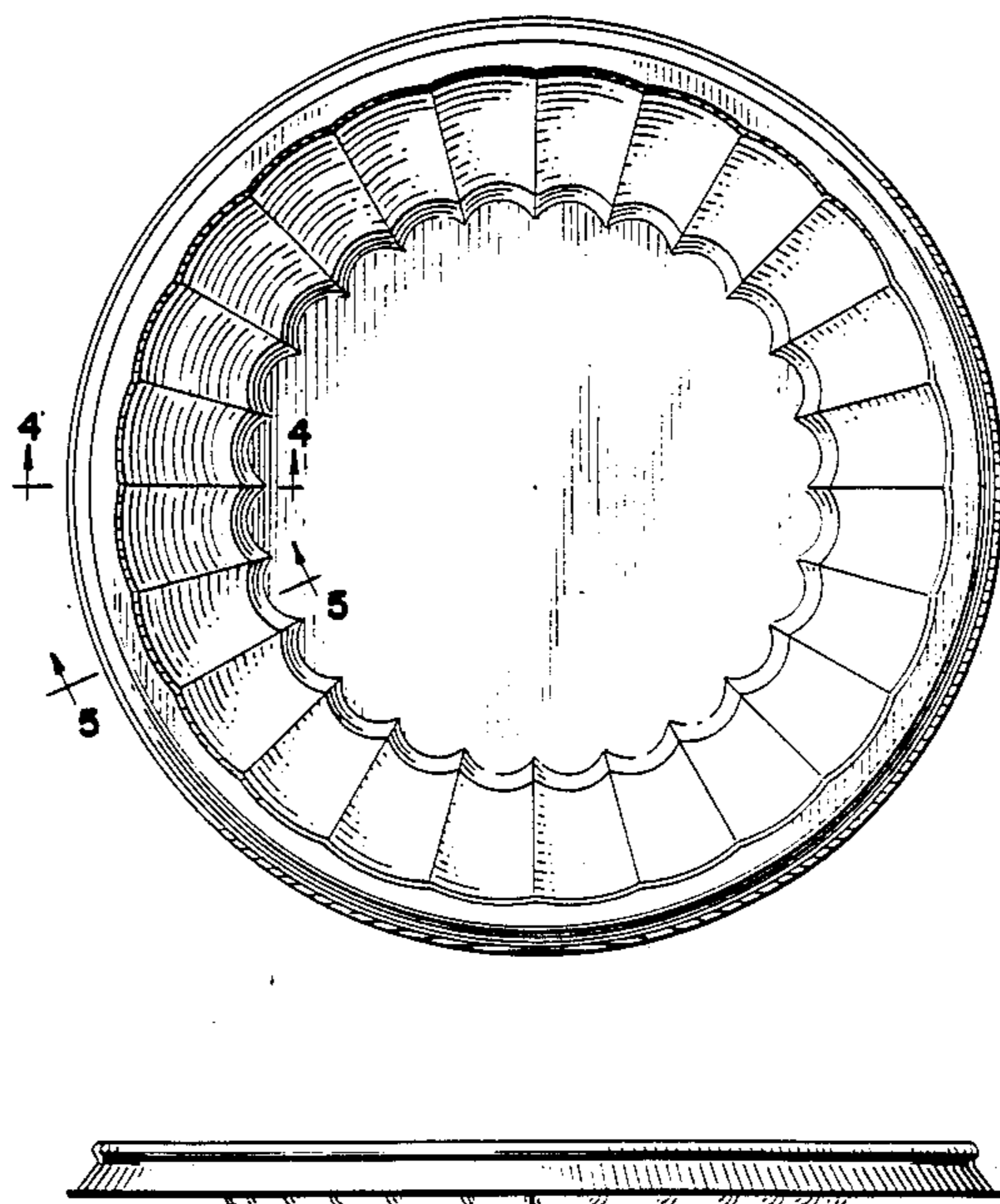


FIG. 1

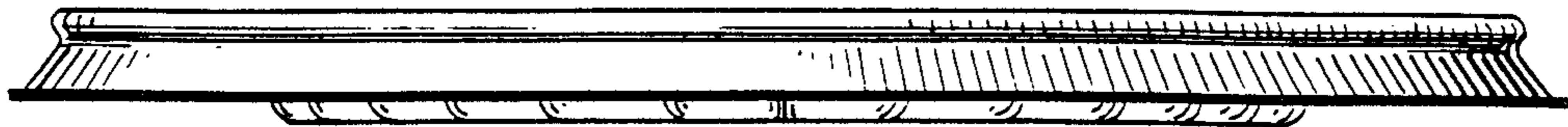
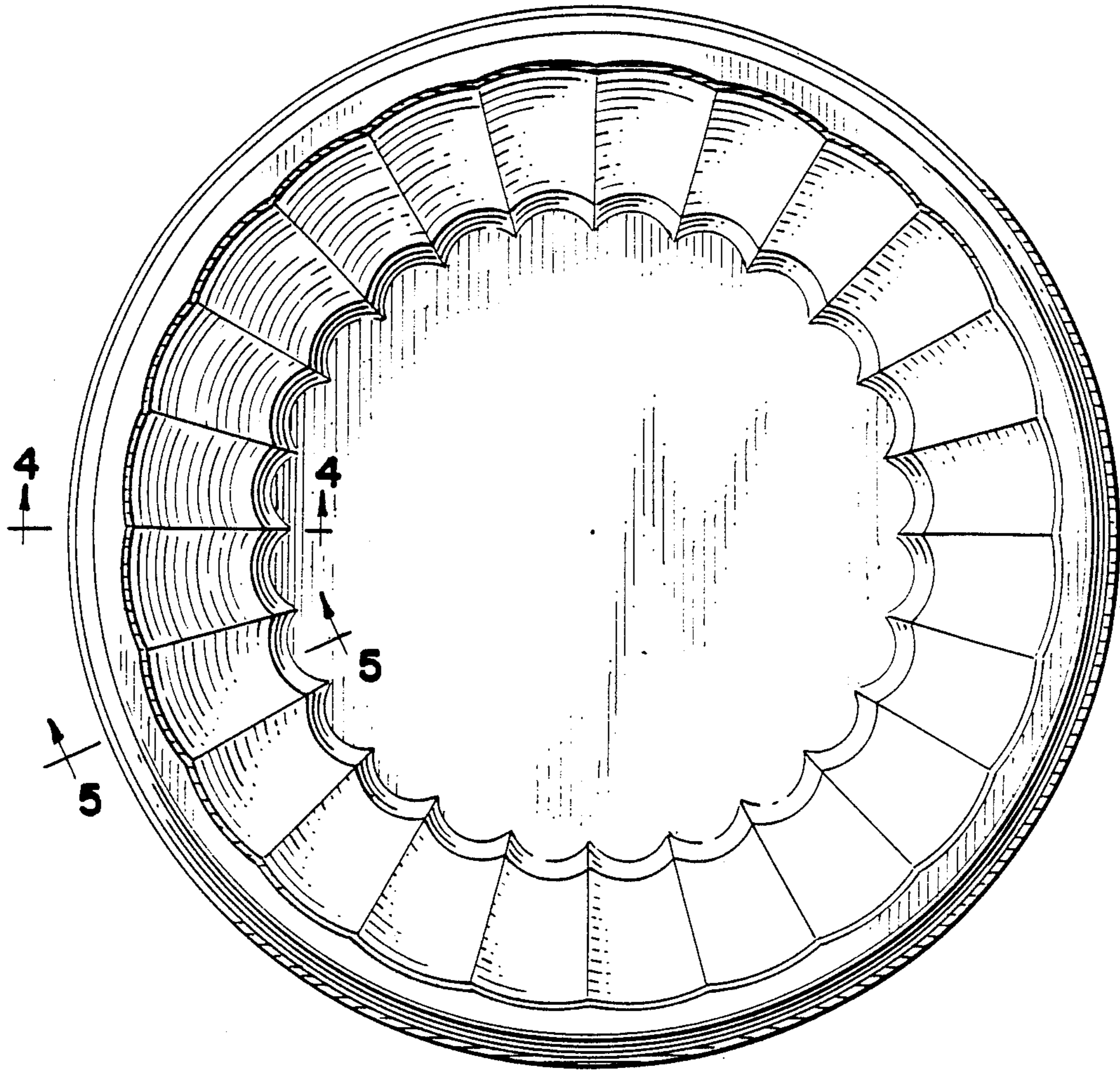


FIG. 2

FIG. 3

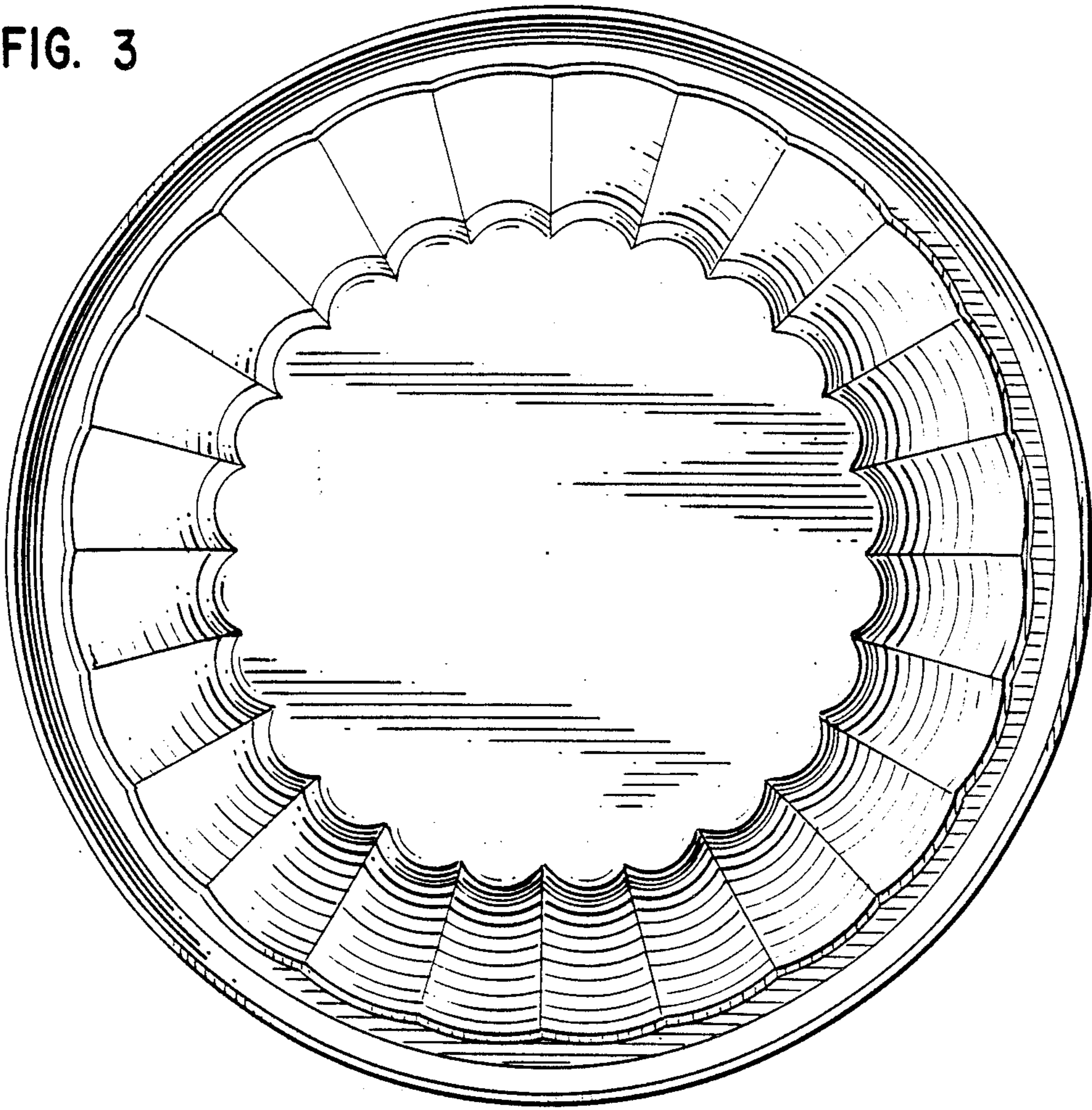


FIG. 4

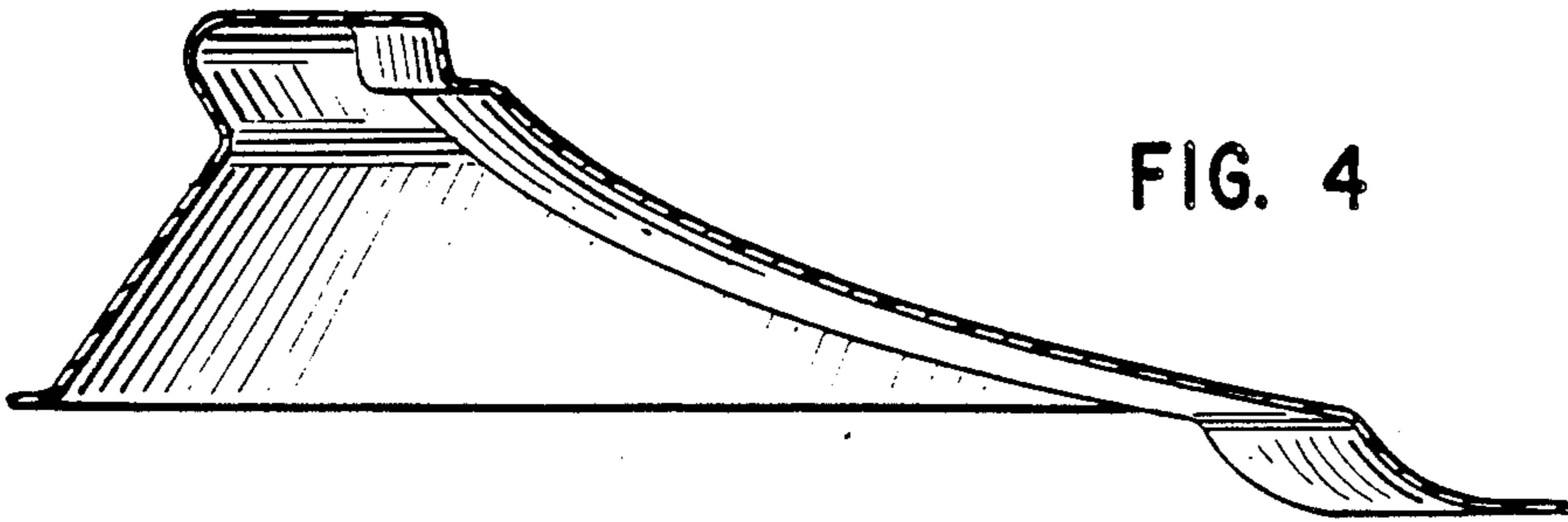


FIG. 5

