

[54] BEVERAGE DISPENSER

[75] Inventor: Nicholas Mohat, San Antonio, Tex.

[73] Assignee: The Coca-Cola Company, Atlanta, Ga.

[**] Term: 14 Years

[21] Appl. No.: 21,061

[22] Filed: Mar. 3, 1987

[52] U.S. Cl. D7/308; D7/311

[58] Field of Search D7/305, 306, 307, 311, D7/308, 309; D20/4, 5; D15/79, 80; 222/129.1, 129.2, 129.3, 129.4; 62/389, 390, 391

[56] References Cited

U.S. PATENT DOCUMENTS

D. 194,175	12/1962	Cornelius	D7/308
D. 203,150	12/1965	Booth et al.	D7/308
D. 217,651	5/1970	Lofgren	D7/308
D. 218,083	7/1970	Hartley	D7/308
D. 269,517	6/1983	Vogel et al.	D7/308

D. 281,568	12/1985	Bruffey, Jr. et al.	D7/308
D. 301,193	5/1989	Schechter et al.	D7/308

OTHER PUBLICATIONS

Restaurants & Institutions, Jun. 1, 1982, p. 62-0, Cornelius Co. Adv./SF-1 Valve, top right dispenser.

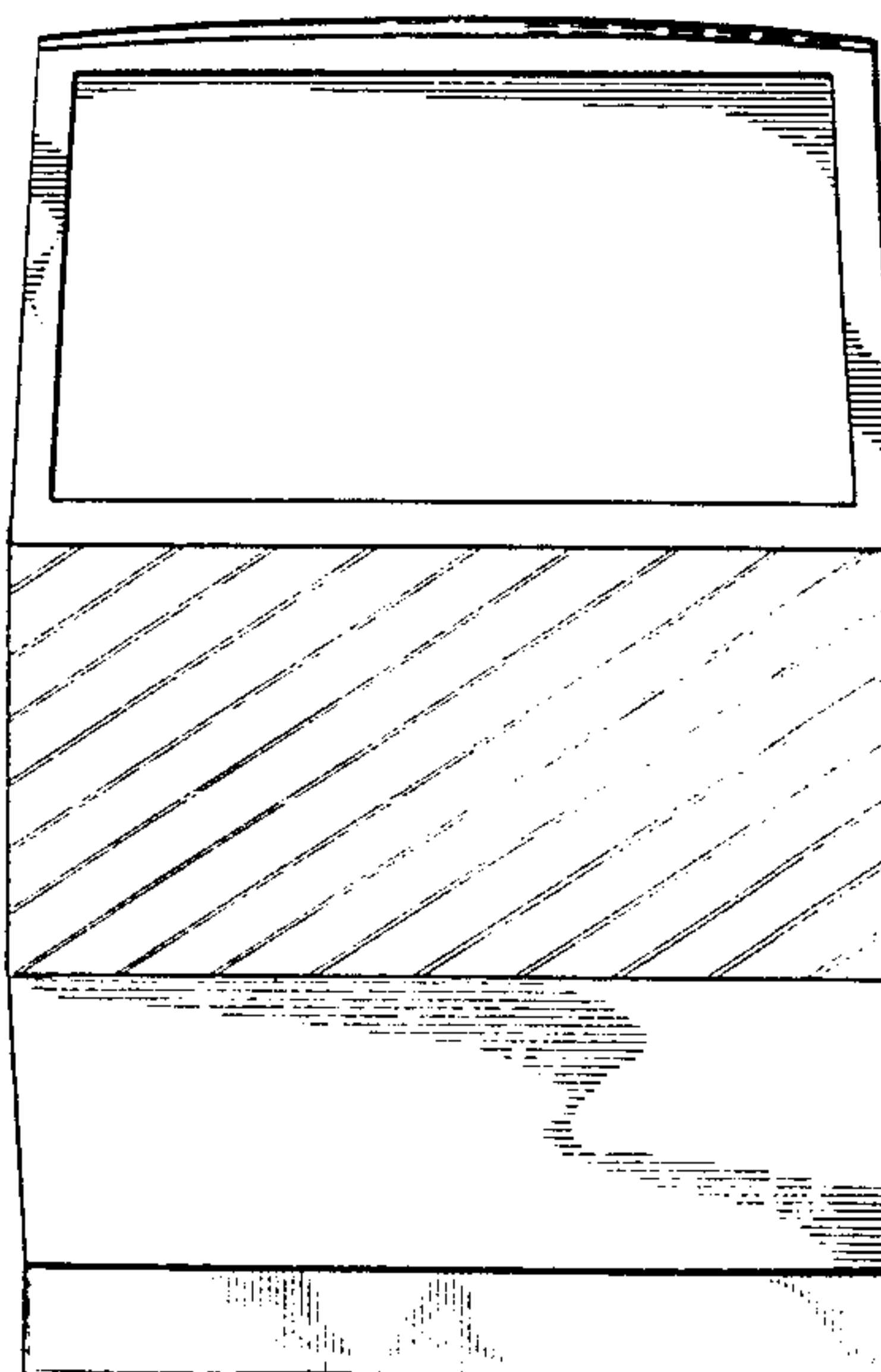
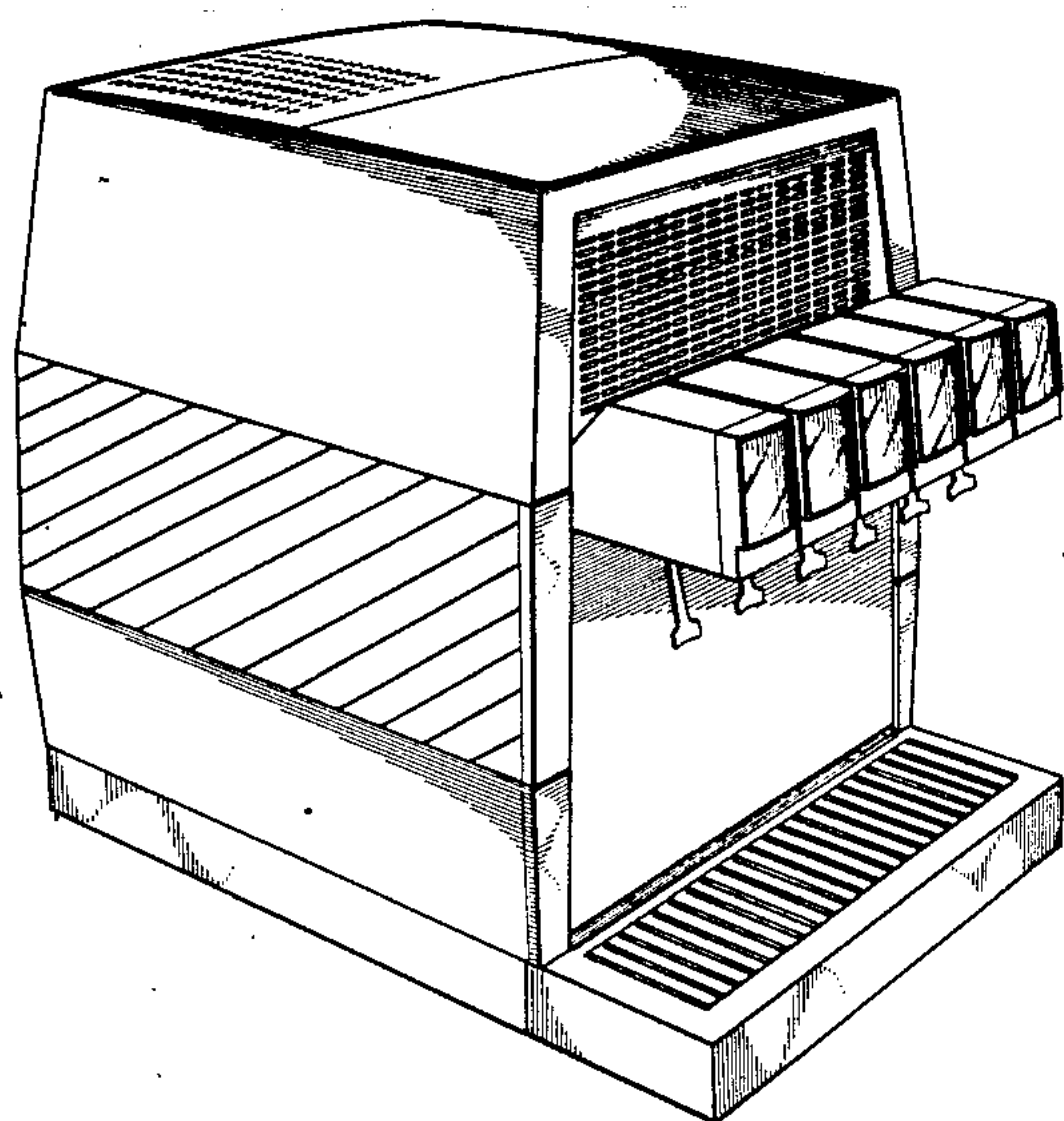
Primary Examiner—Winifred E. Herrmann
Attorney, Agent, or Firm—Thomas R. Boston; W. Dexter Brooks

[57] CLAIM

The ornamental design for a beverage dispenser, as shown and described.

DESCRIPTION

FIG. 1 is a top, front, and left side perspective of a beverage dispenser showing my new design; FIG. 2 is a left side elevational view thereof; FIG. 3 is a right side elevational view thereof; FIG. 4 is a front elevational view thereof; FIG. 5 is a rear elevational view thereof; FIG. 6 is a top plan view thereof; and FIG. 7 is a bottom plan view thereof.



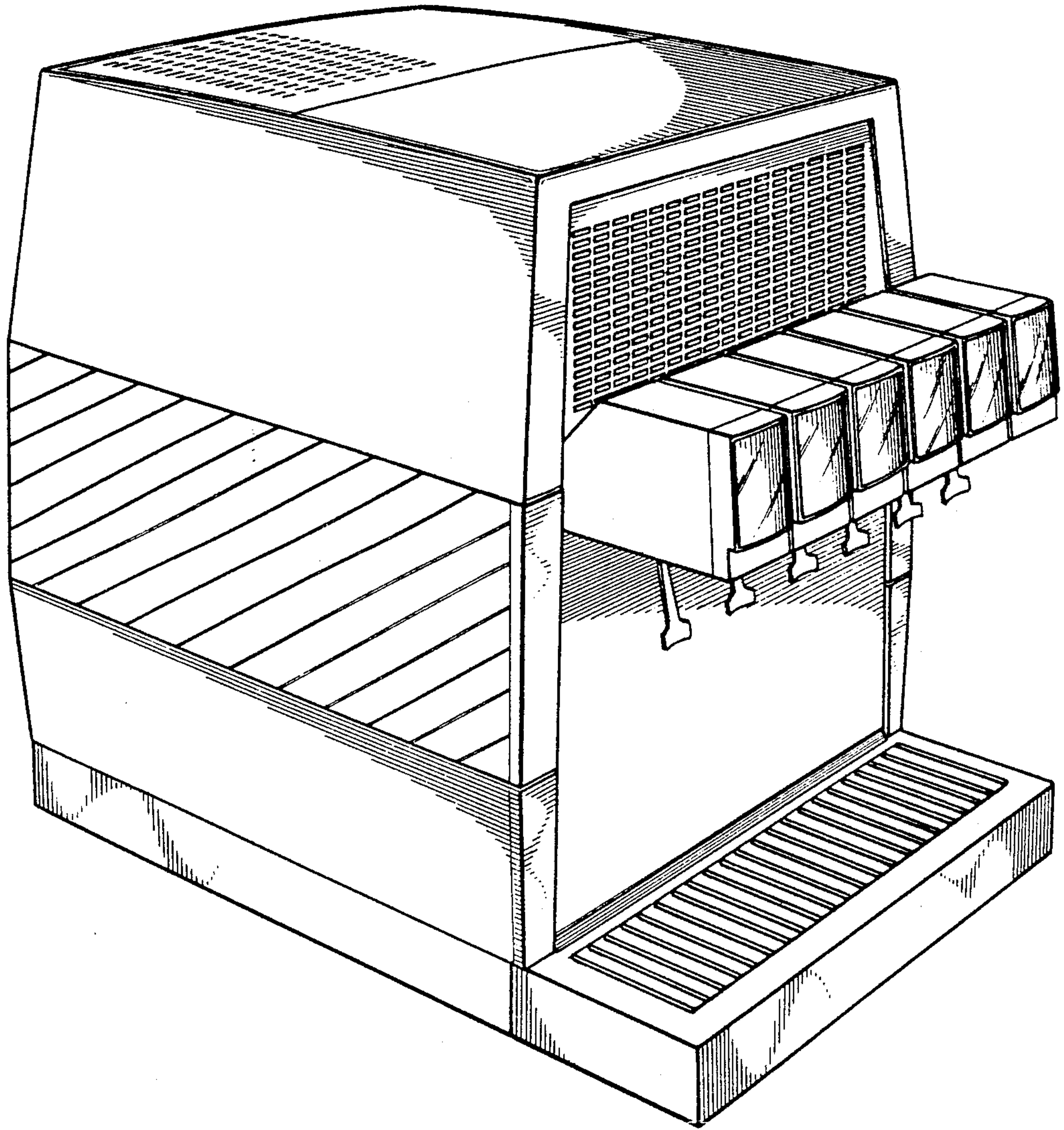


FIG 1

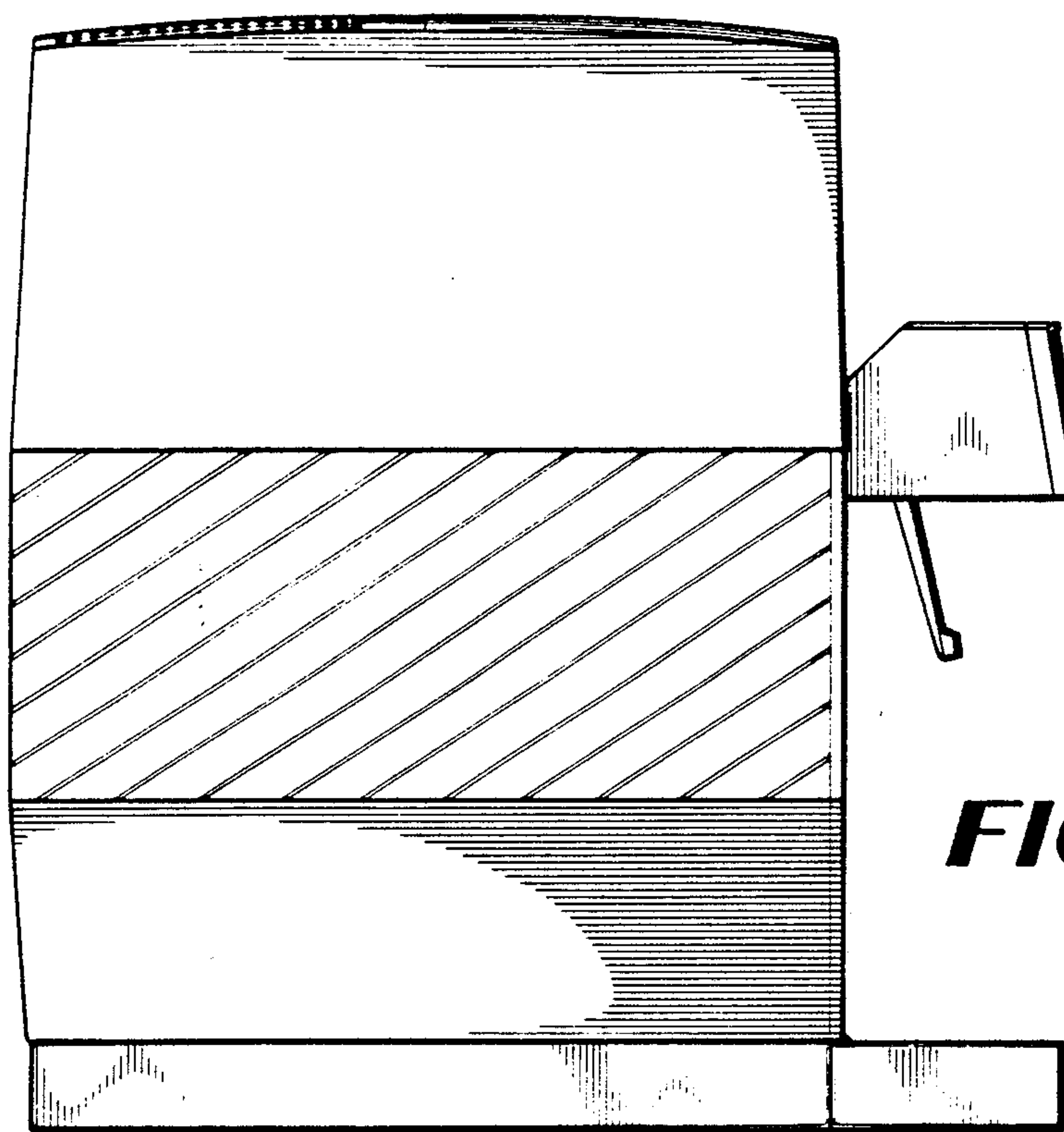


FIG 2

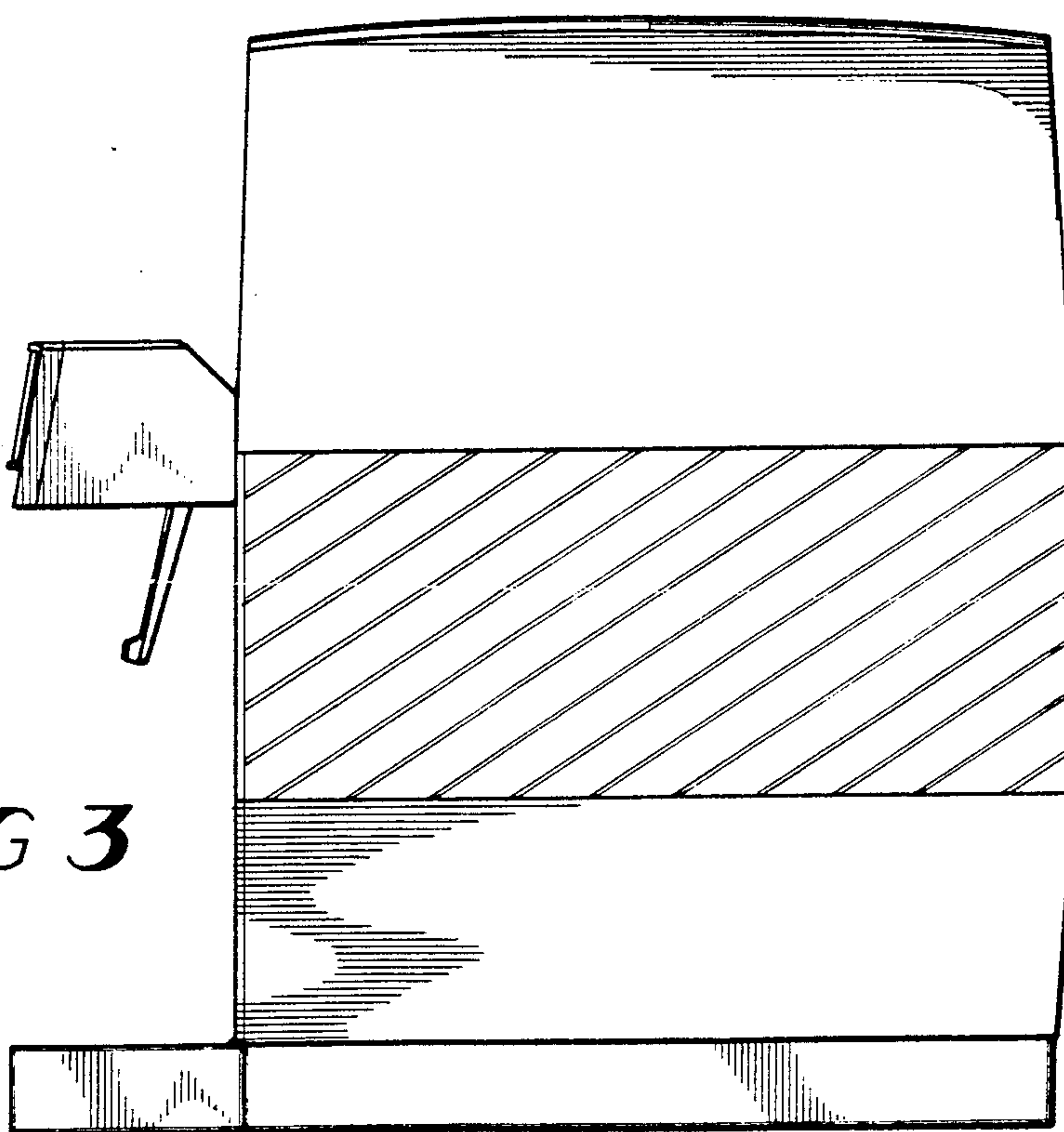


FIG 3

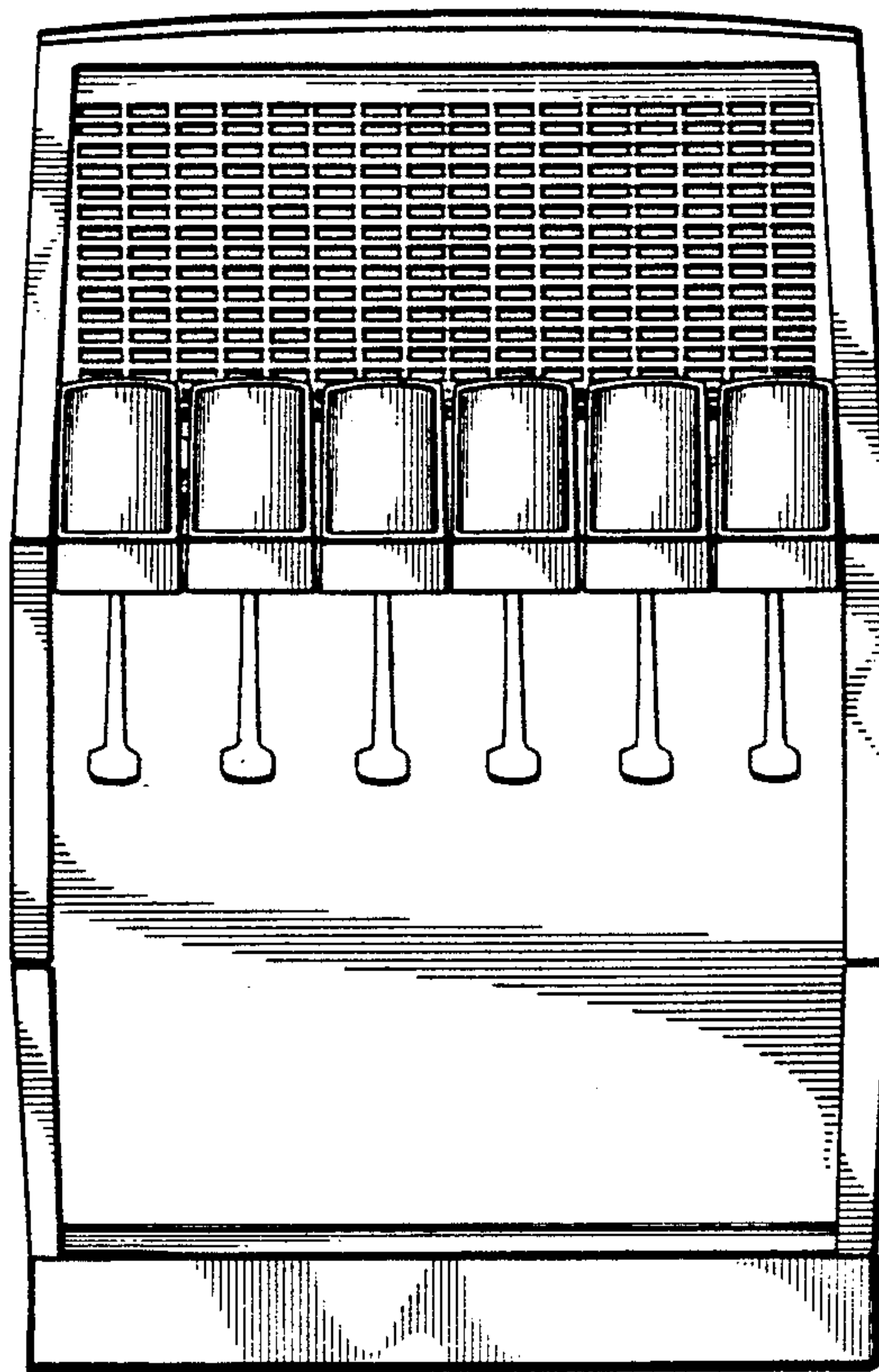


FIG 4

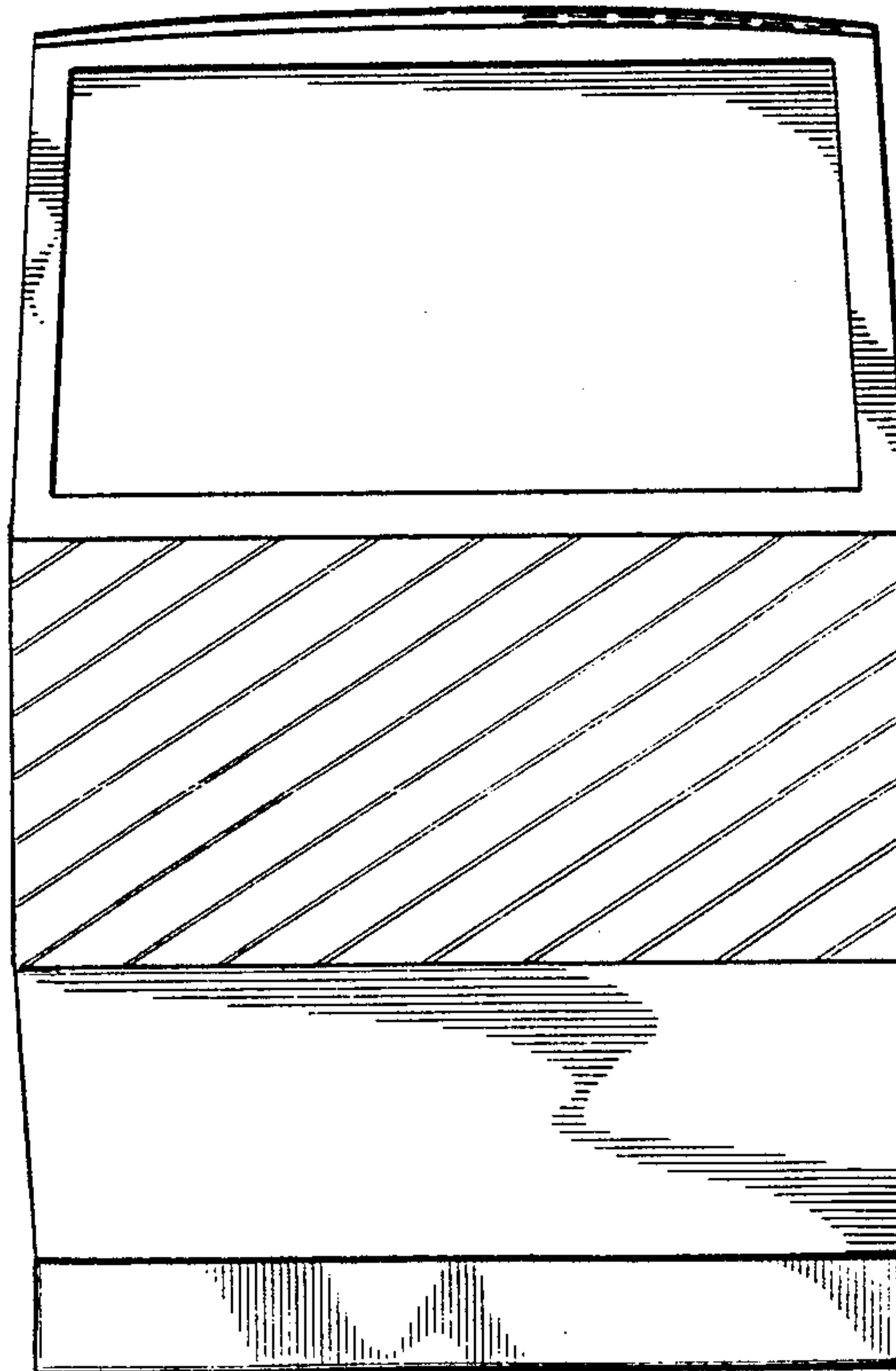


FIG 5

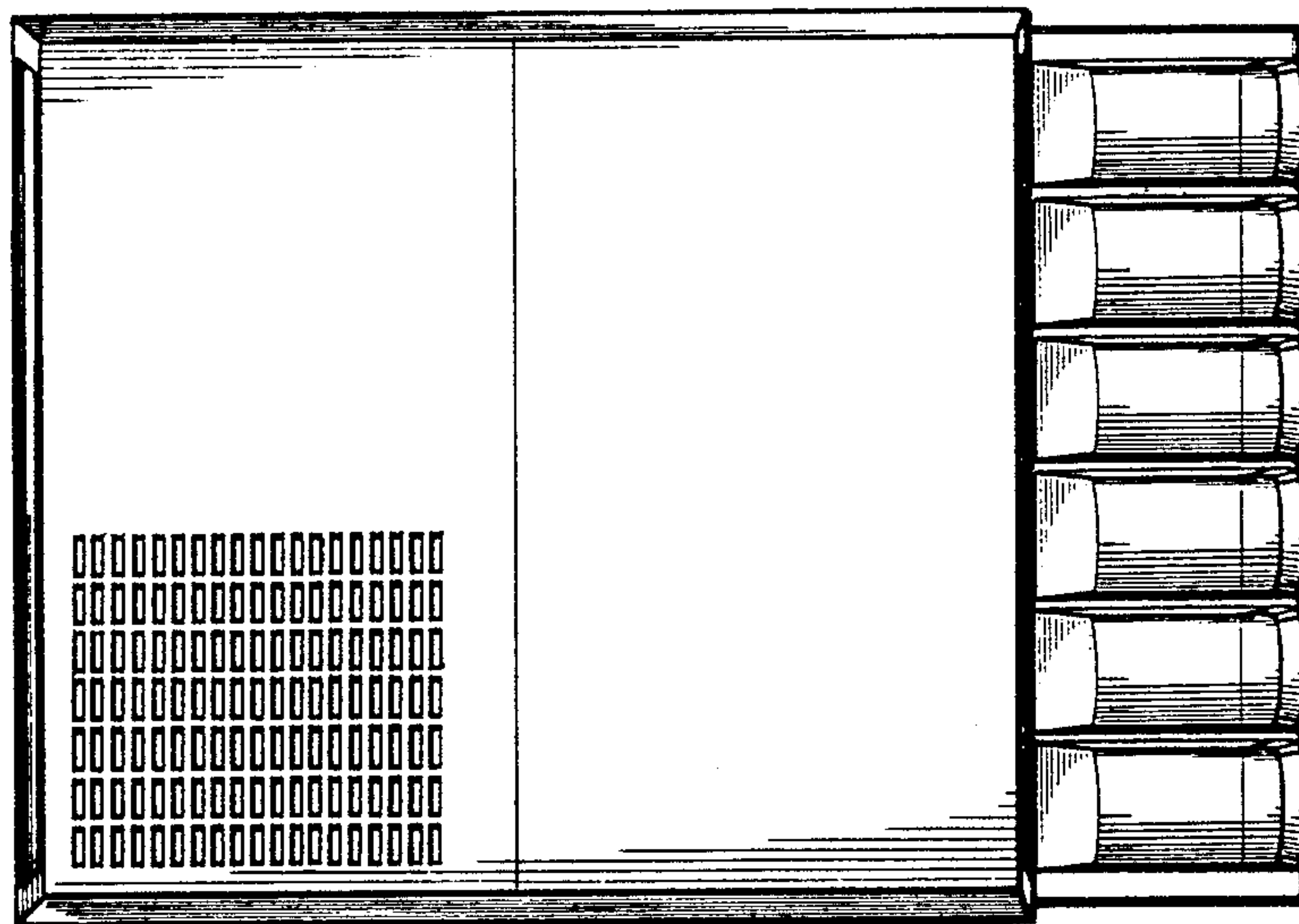


FIG 6

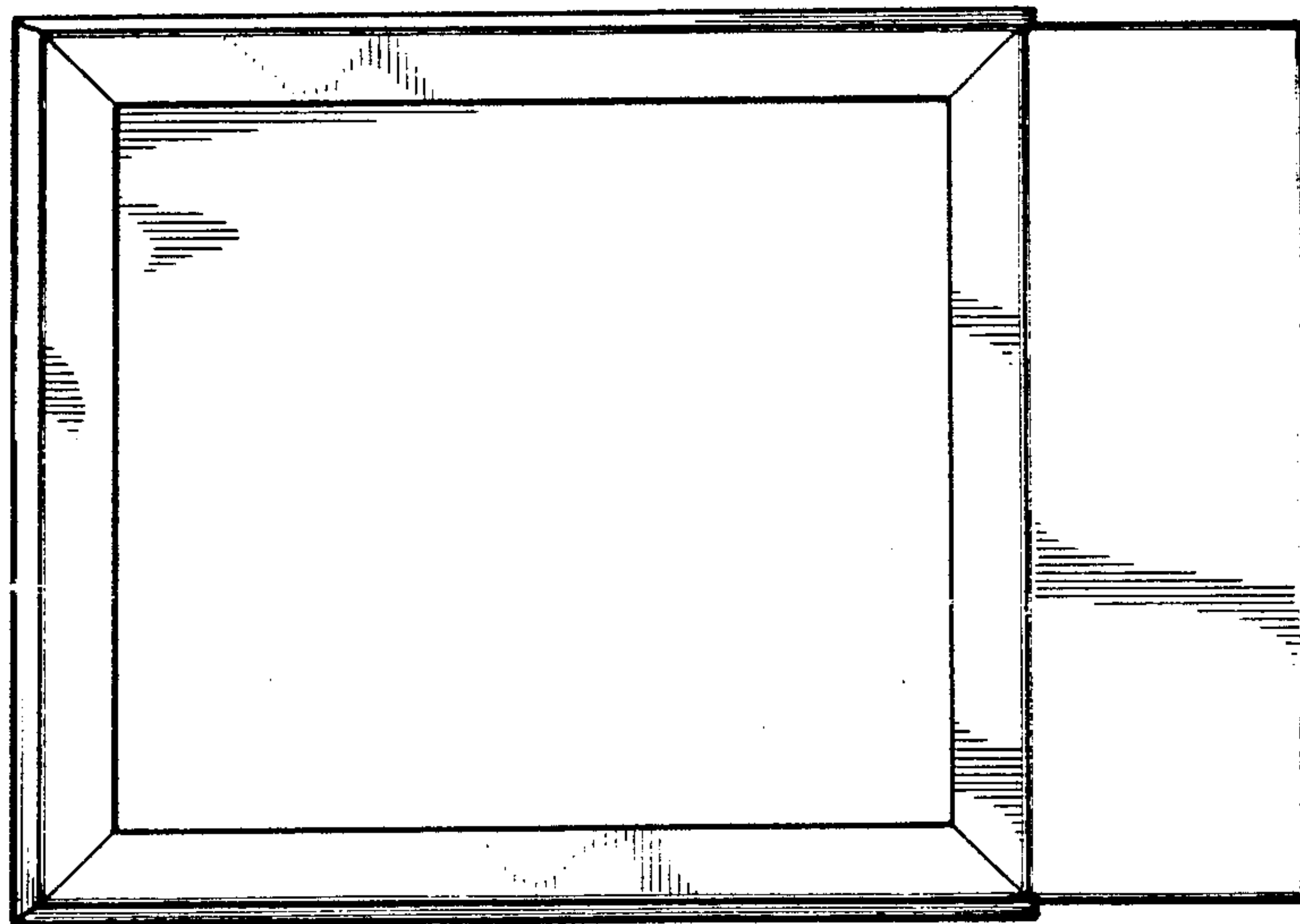


FIG 7