

United States Patent [19]

Legault

[11] Patent Number: Des. 312,020

[45] Date of Patent: ** Nov. 13, 1990

[54] WATER DISPENSER OR SIMILAR ARTICLE

[75] Inventor: Nils Legault, Riviere des Prairies, Canada

[73] Assignee: 152010 Canada Inc., Quebec, Canada

[**] Term: 14 Years

[21] Appl. No.: 154,621

[22] Filed: Feb. 10, 1988

[30] Foreign Application Priority Data

Aug. 12, 1987 [CA] Canada 12088716
[52] U.S. Cl. D7/306; D7/311
[58] Field of Search D7/306, 307, 305, 308,
D7/311, 300; 62/394, 395, 390, 389, 397;
222/146.6, 129.1, 129.2, 129.4

[56] References Cited

U.S. PATENT DOCUMENTS

D. 53,708 8/1919 Earl D7/306

D. 68,690 11/1925 Bloom D7/306 X
895,782 8/1908 Newell 62/397
1,654,841 1/1928 Smith 222/146.6 X

FOREIGN PATENT DOCUMENTS

754953 11/1933 France 62/390

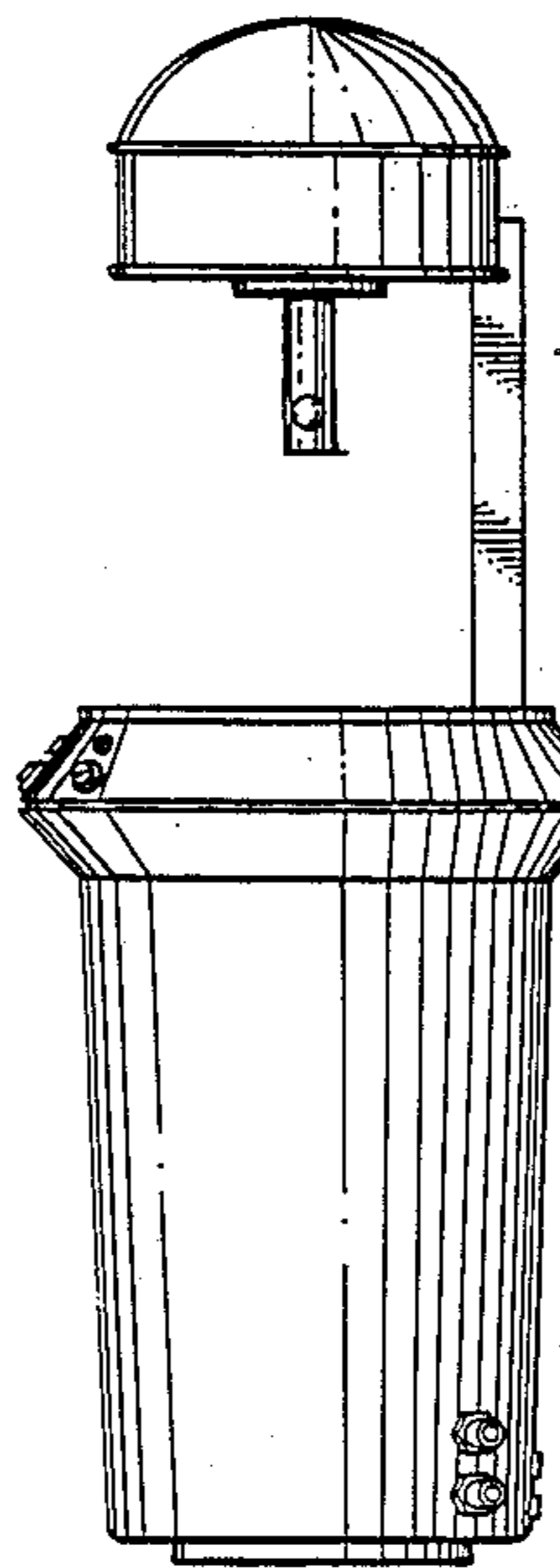
Primary Examiner—Winifred E. Herrmann
Attorney, Agent, or Firm—Pascal & Associates

[57] CLAIM

The ornamental design for a water dispenser or similar article, as shown and described.

DESCRIPTION

FIG. 1 is a front and right side perspective view of a water dispenser or similar article showing my new design;
FIG. 2 is a front elevational view thereof;
FIG. 3 is a right side elevational view thereof, the opposite side being substantially similar;
FIG. 4 is a rear elevational view thereof; and
FIG. 5 is a top plan view thereof.



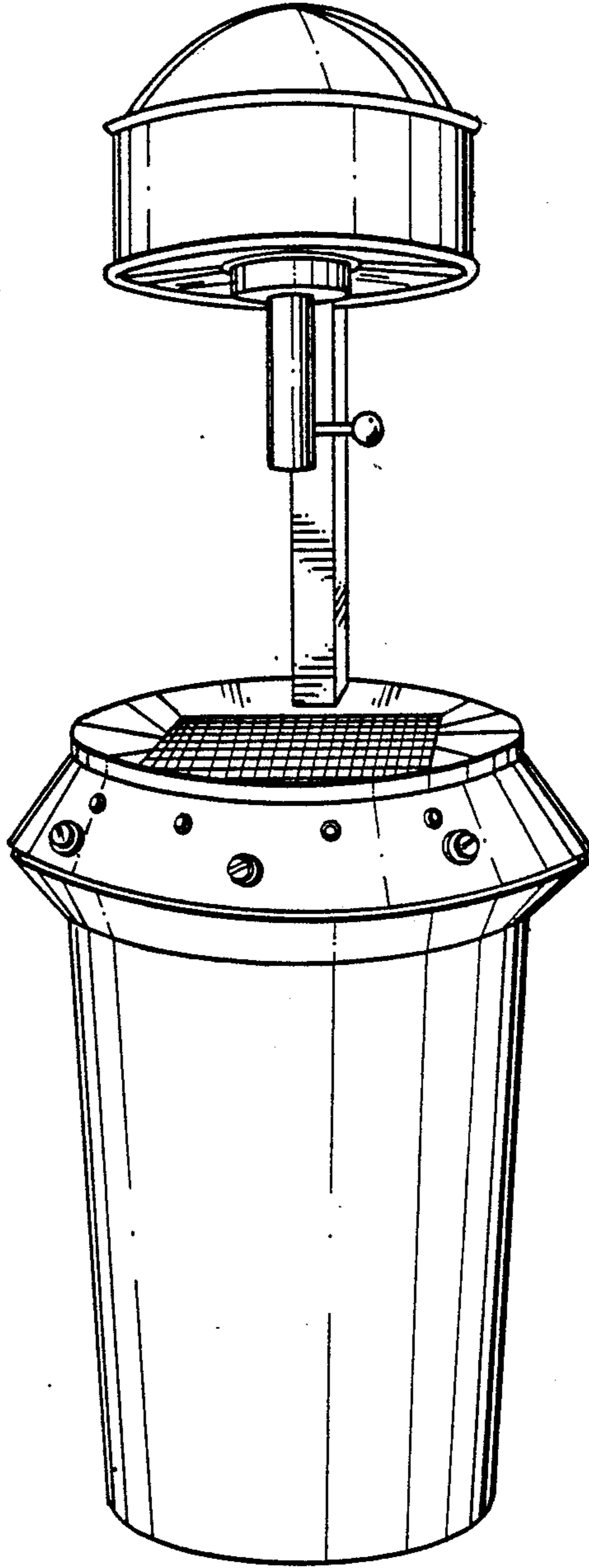


FIG. 1

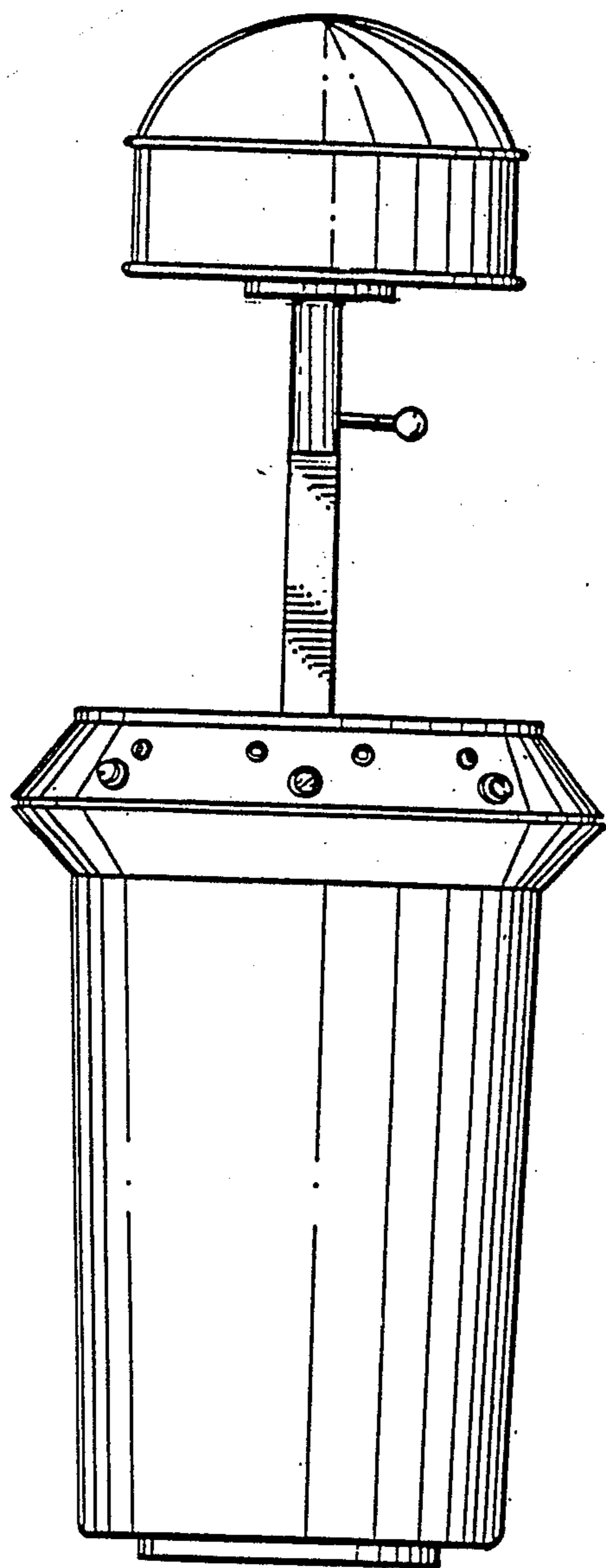


FIG. 2

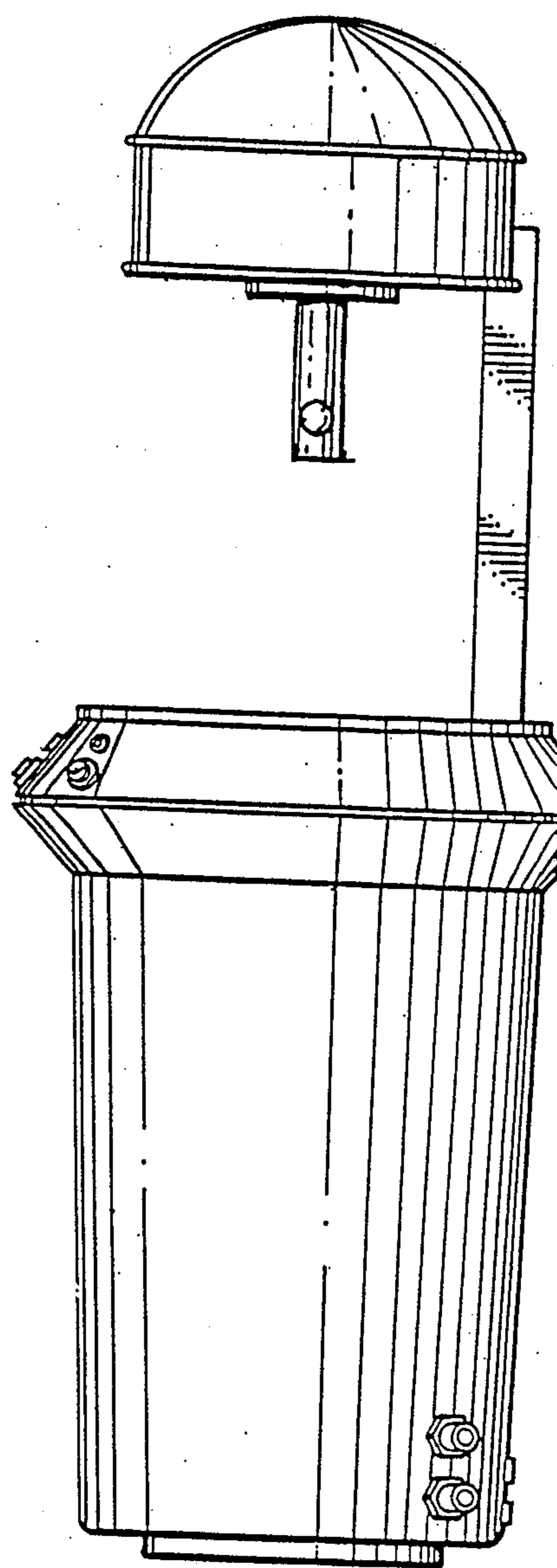


FIG. 3

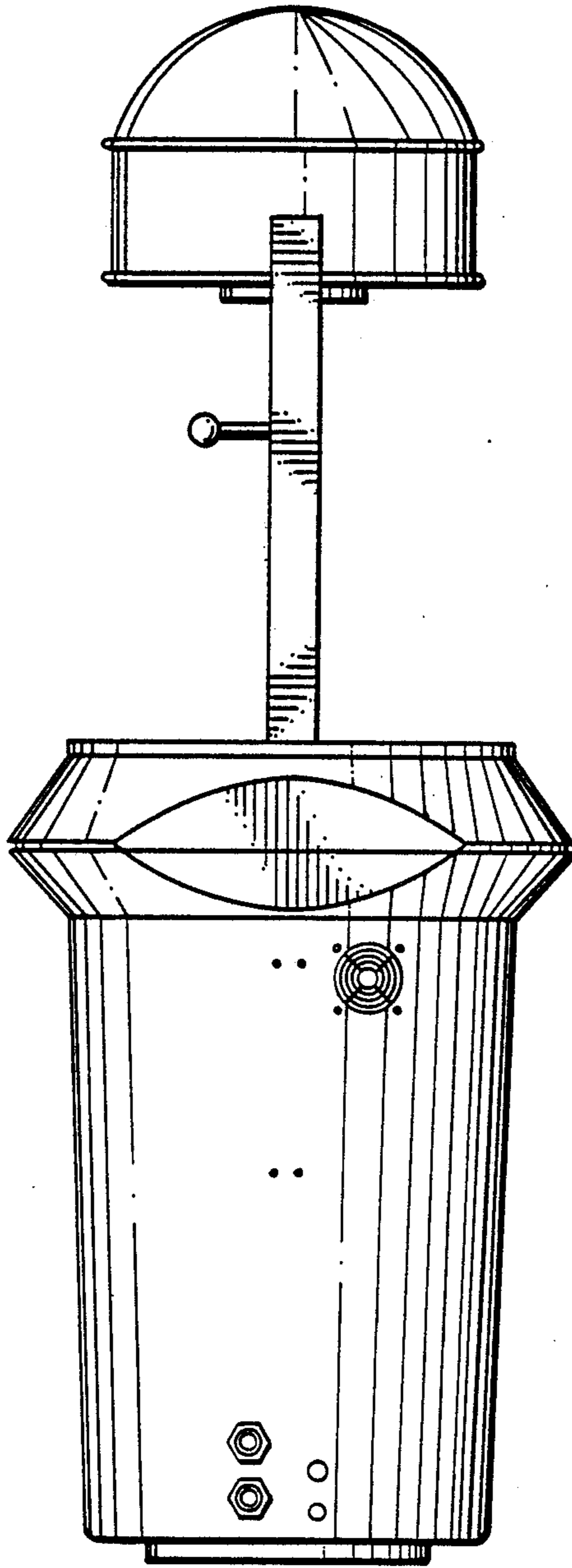


FIG. 4

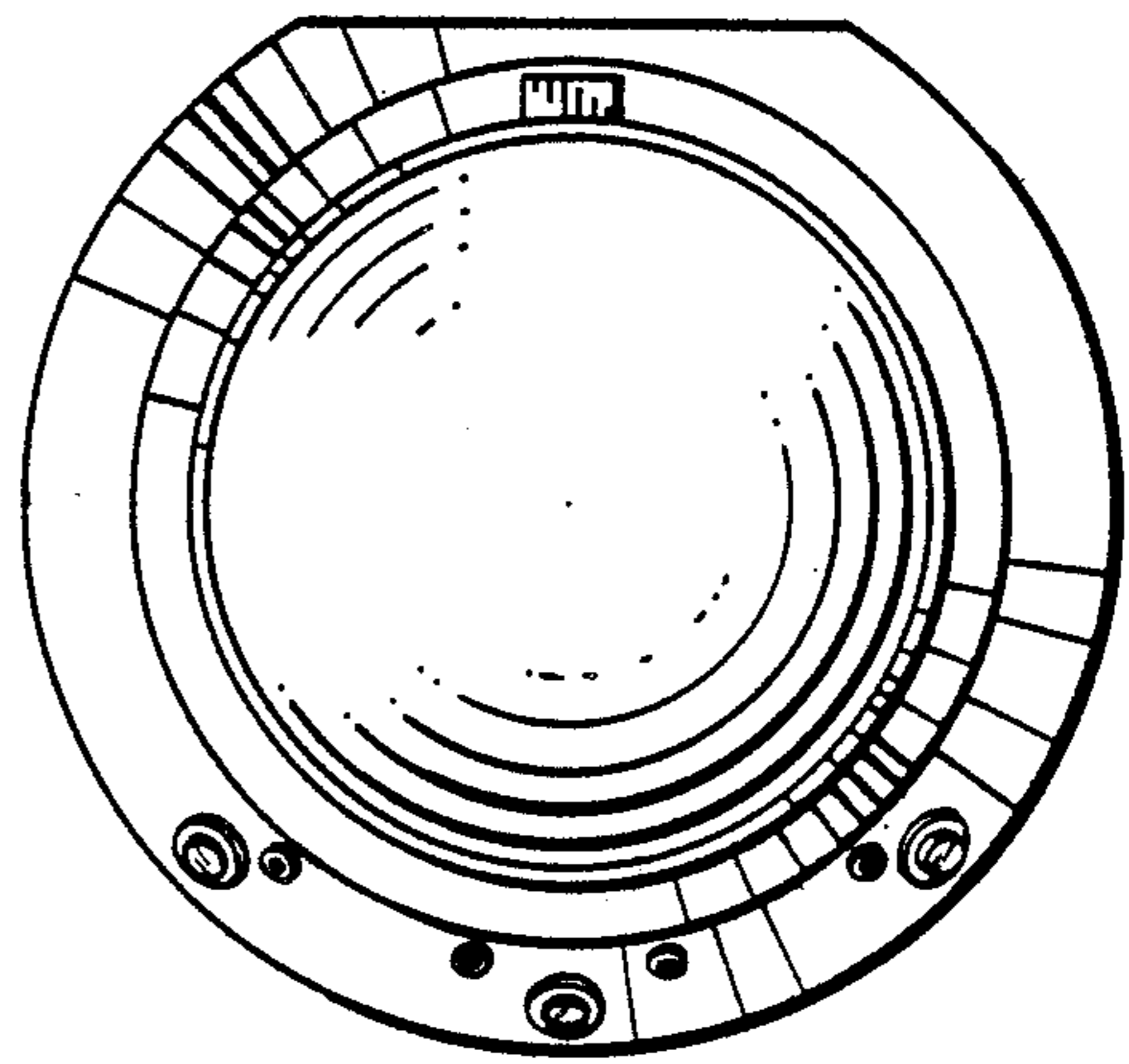


FIG. 5