

[54] PILLOW FOR ATTACHMENT TO AN AUTOMOBILE SEAT HEADREST

4,206,945 6/1980 Kifferstein 5/434 X
4,884,305 12/1989 Blackmon 5/496

[76] Inventors: Danny L. Woods; Leah L. Woods, both of 262 17th Ave. N., Clinton, Iowa 52732

Primary Examiner—Wallace R. Burke
Assistant Examiner—Brian N. Vinson
Attorney, Agent, or Firm—Leon Gilden

[**] Term: 14 Years

[57] CLAIM

[21] Appl. No.: 268,992

The ornamental design for a pillow for attachment to an automobile seat headrest, as shown and described.

[22] Filed: Nov. 7, 1988

DESCRIPTION

[52] U.S. Cl. D6/601; D6/595-596; D6/601; 297/220; 5/419; 5/431-433; 5/437; 5/440; 5/448

FIG. 1 is a front elevational view of an pillow for attachment to an automobile seat headrest showing my new design;

[56] References Cited

U.S. PATENT DOCUMENTS

D. 247,312 2/1978 Zeiss D6/601 X
D. 286,239 10/1986 Scheurer et al. D6/596

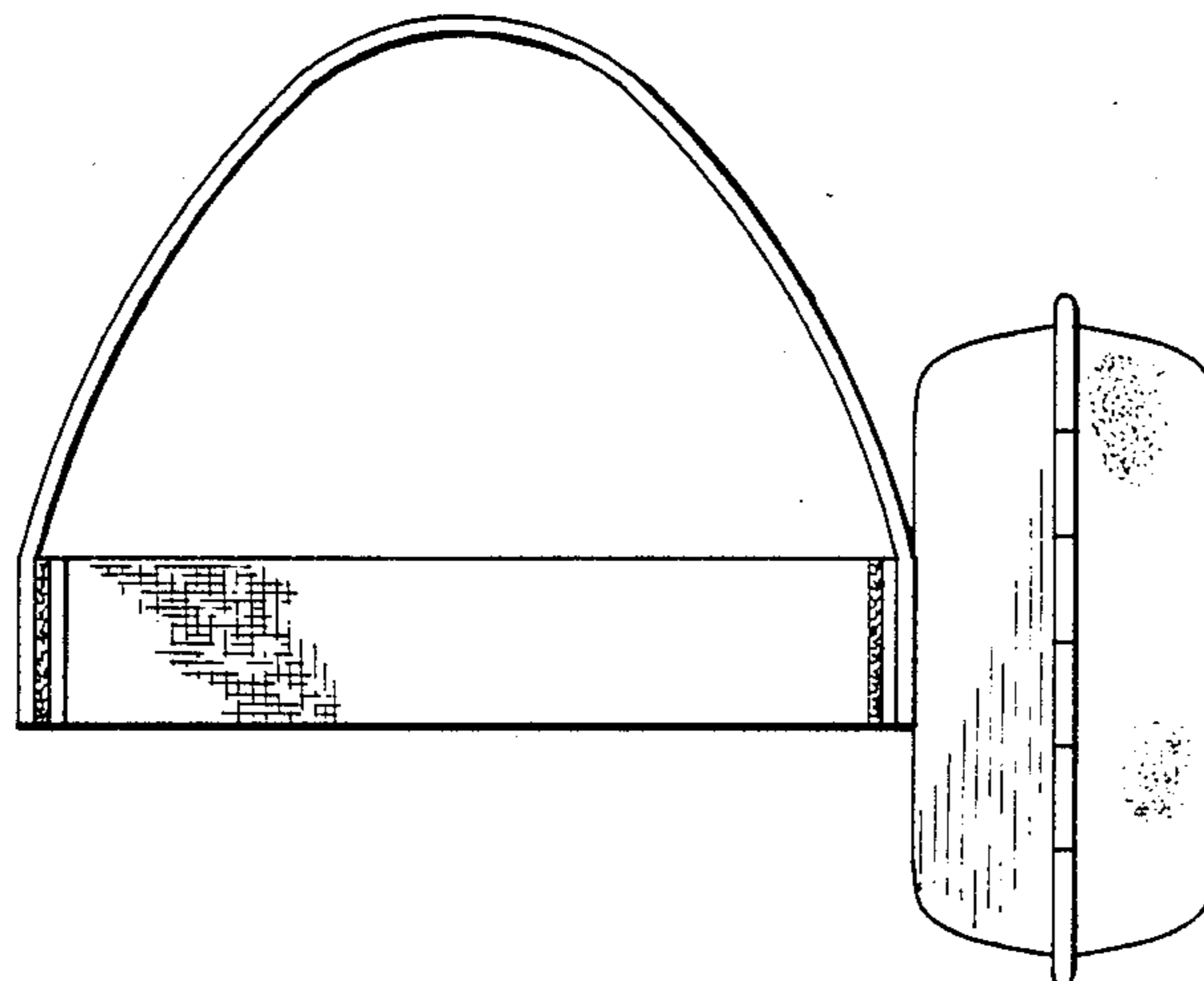
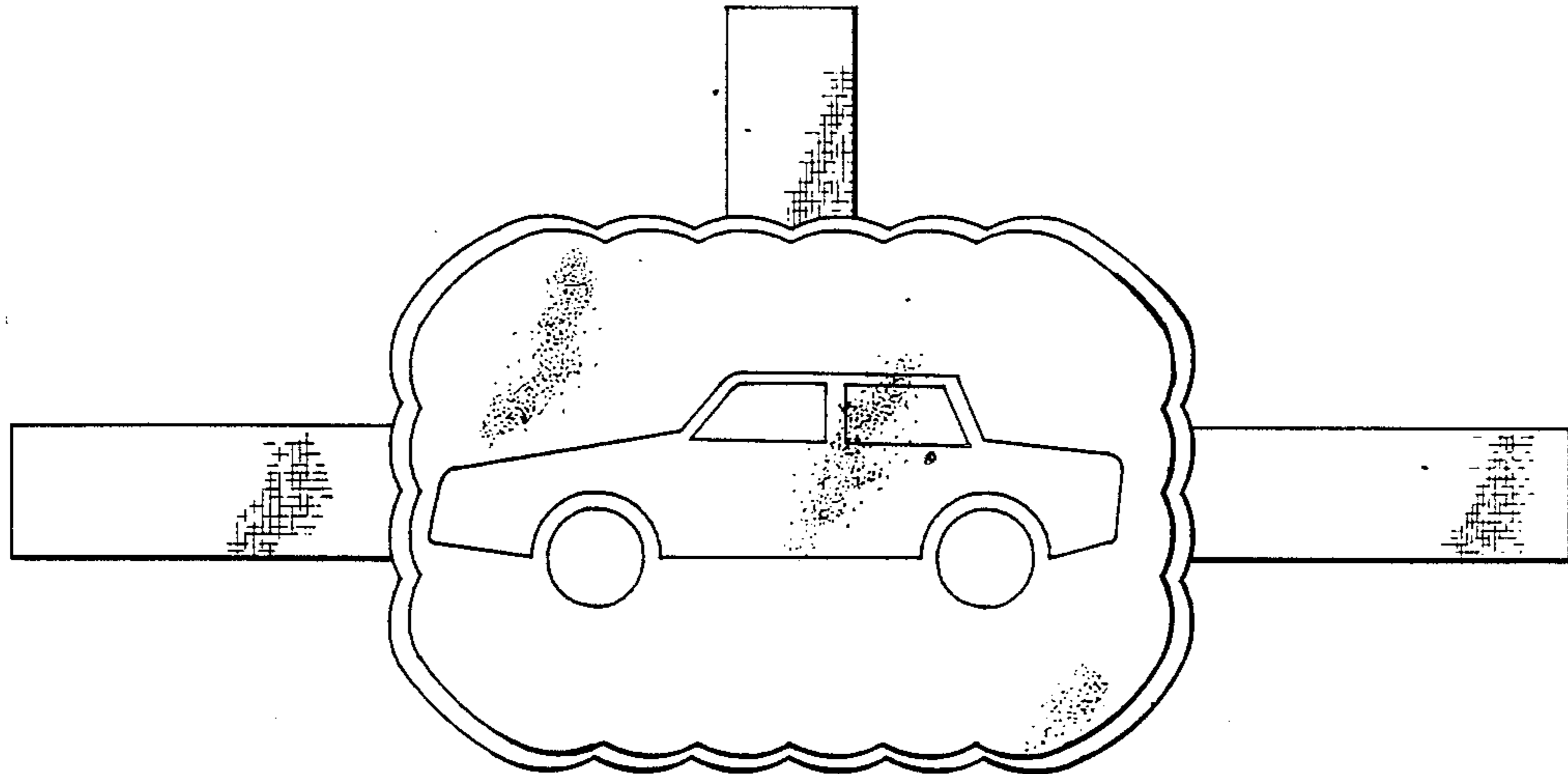
FIG. 2 is a rear elevational view thereof;

FIG. 3 is a left side elevational view thereof;

FIG. 4 is a right side elevational view thereof;

FIG. 5 is a top plan view thereof; and,

FIG. 6 is a bottom plan view thereof.



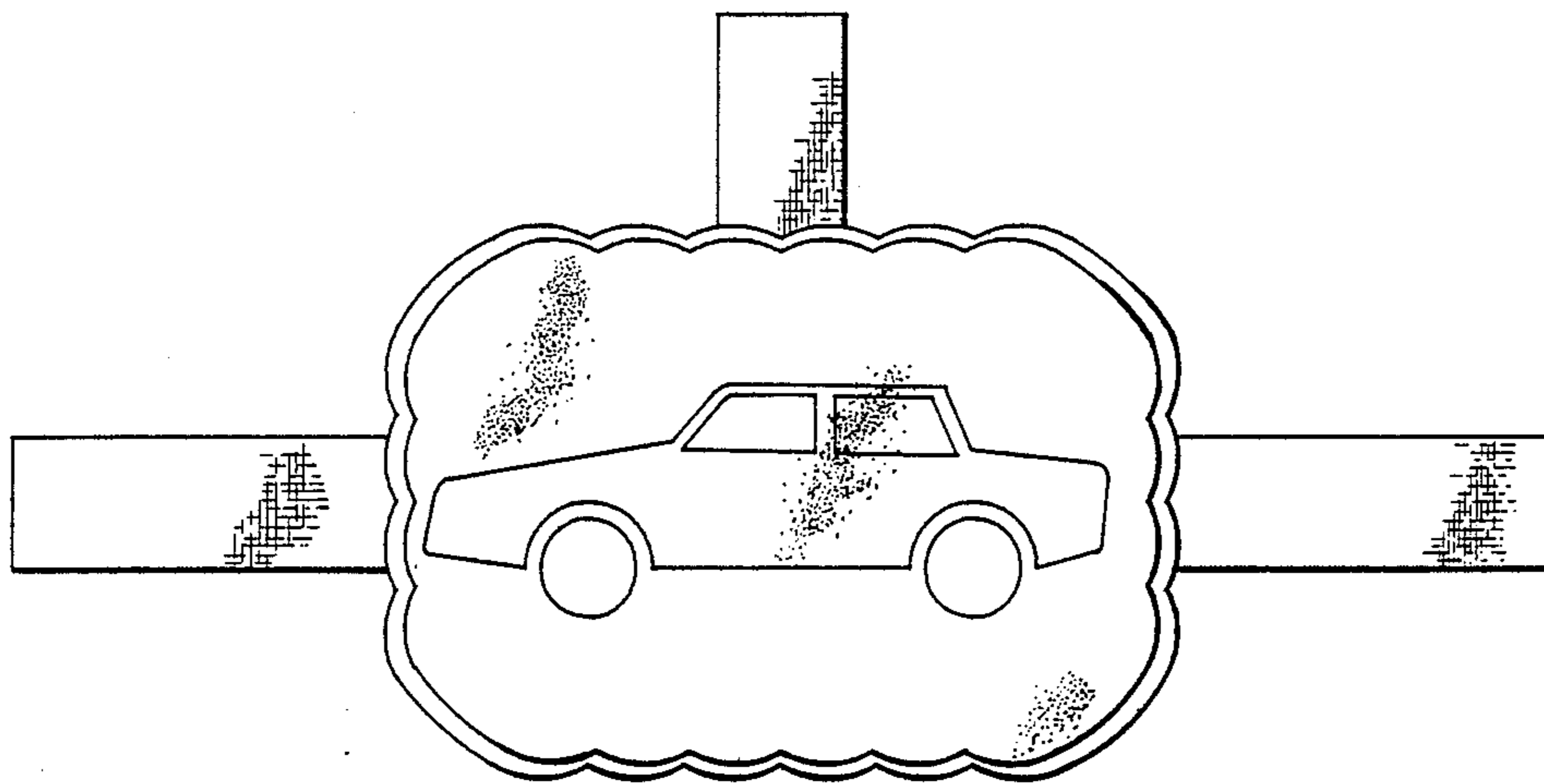


FIG. 1.

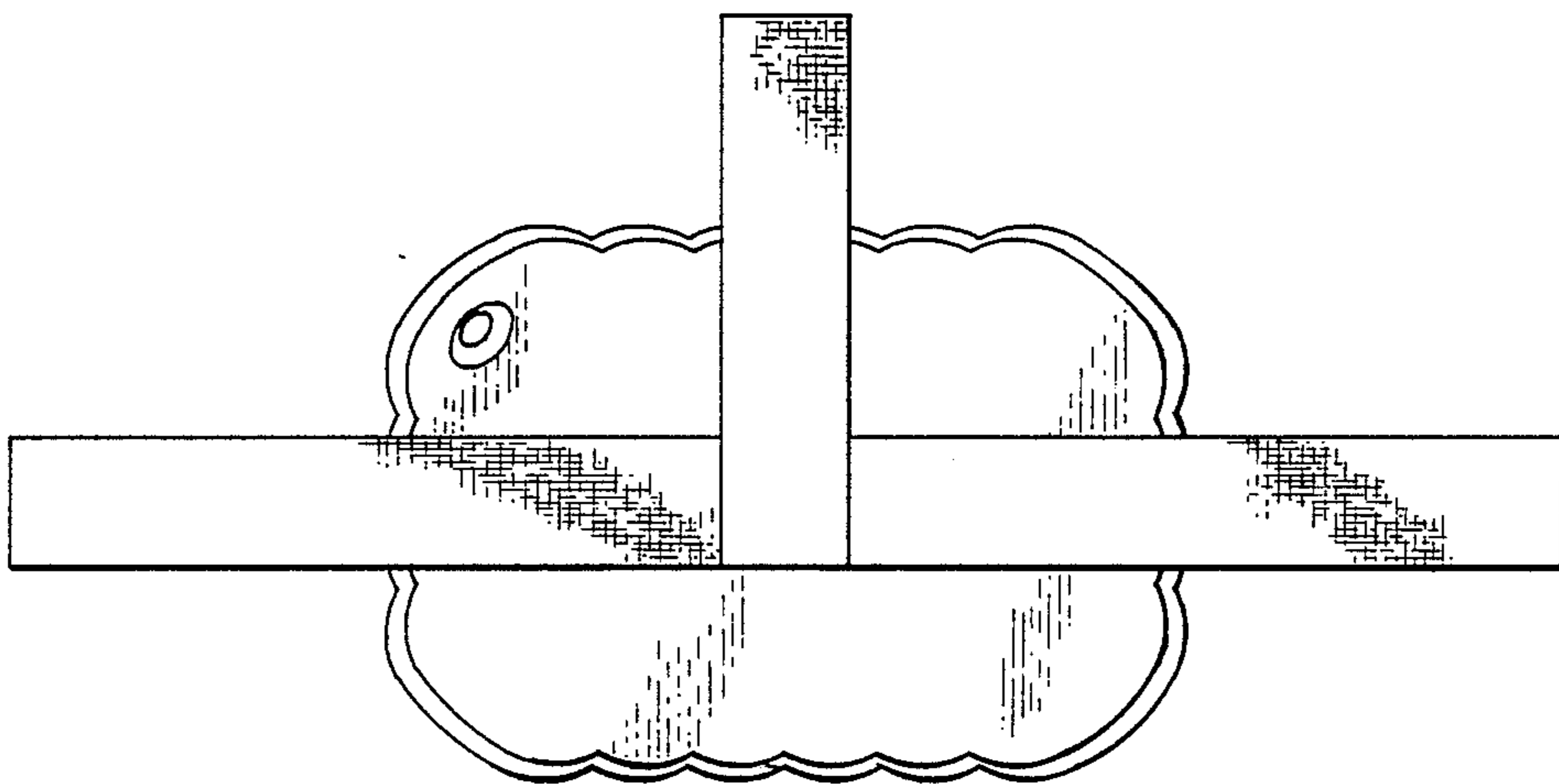


FIG. 2.

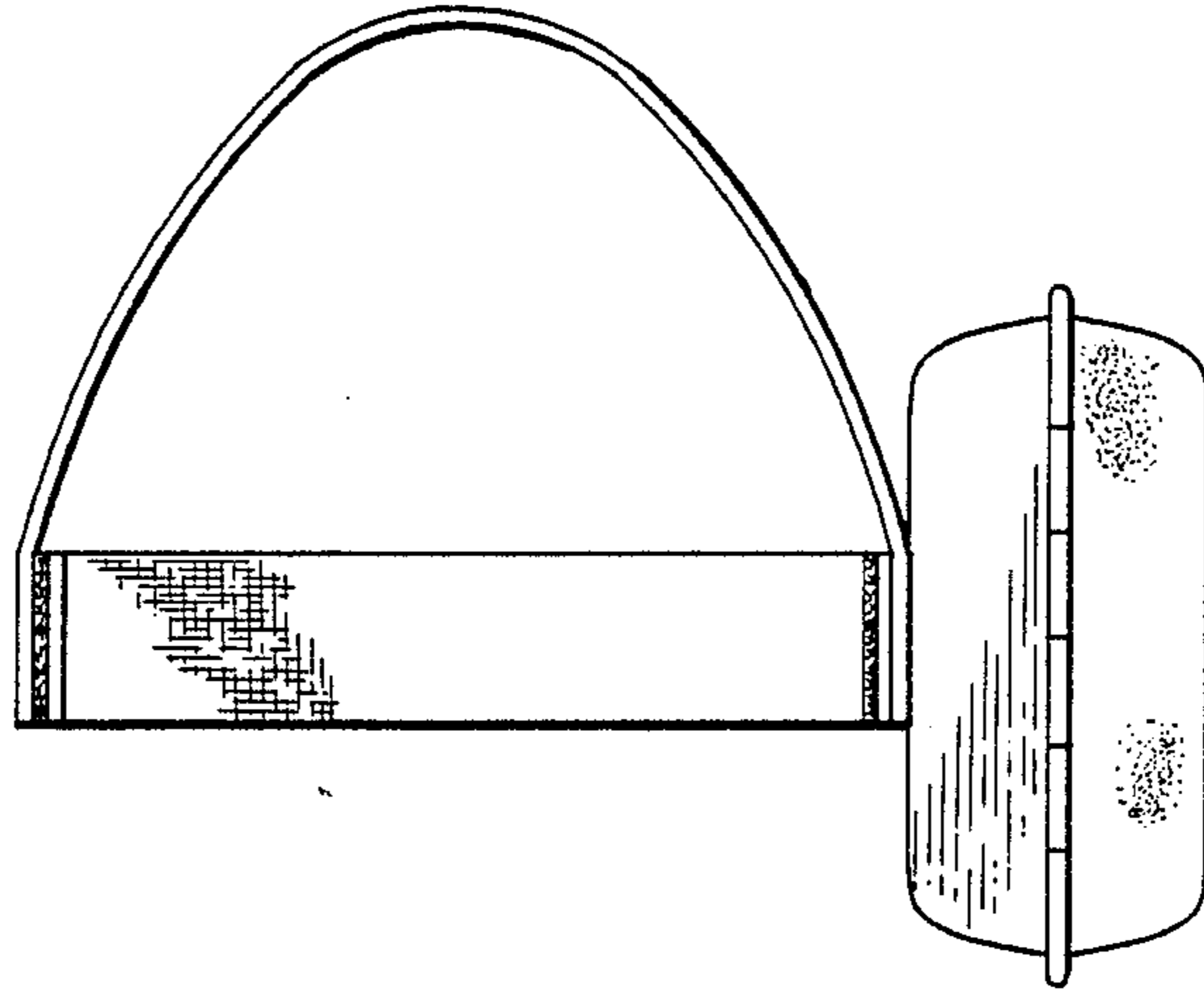


FIG. 3.

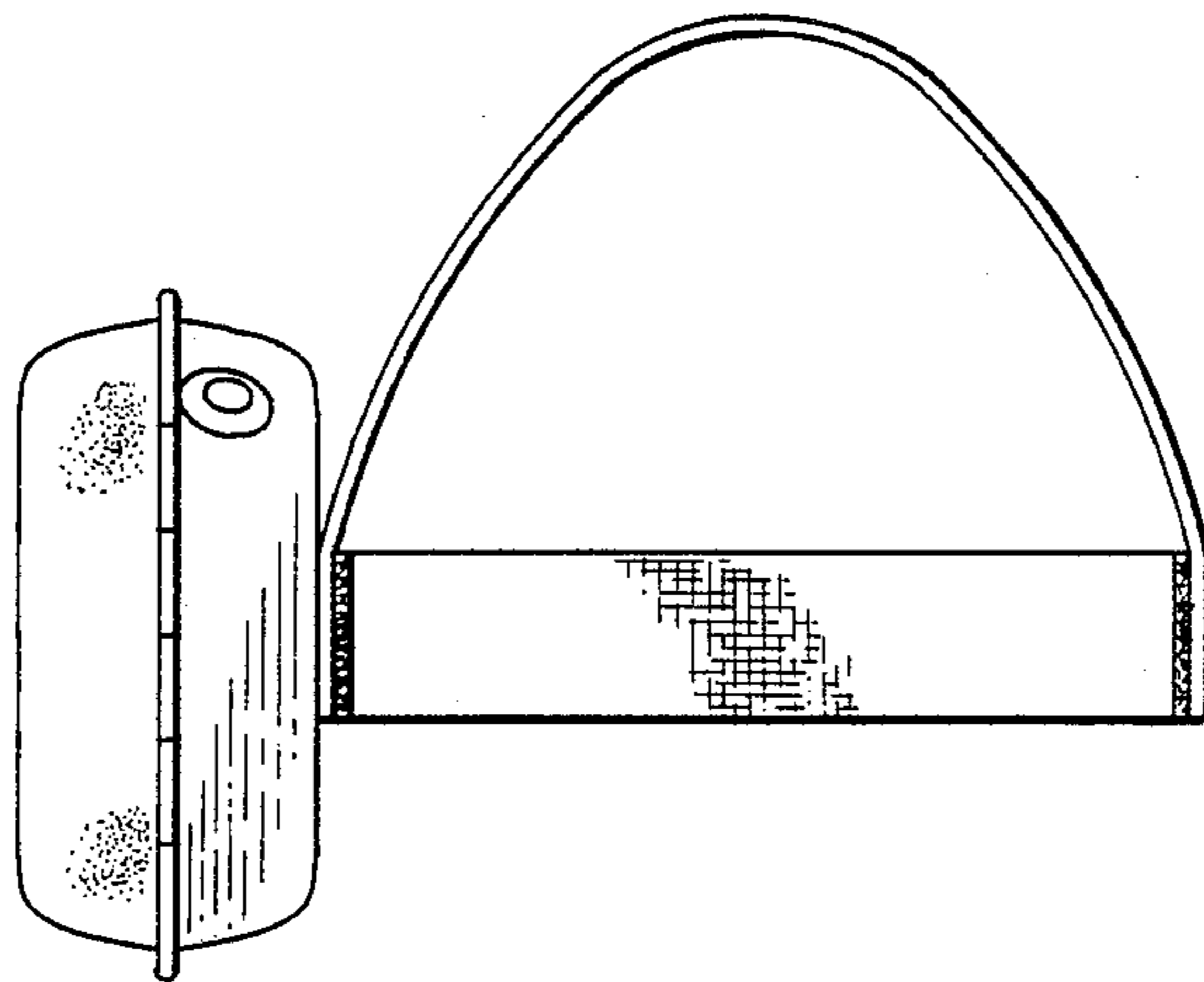


FIG. 4.

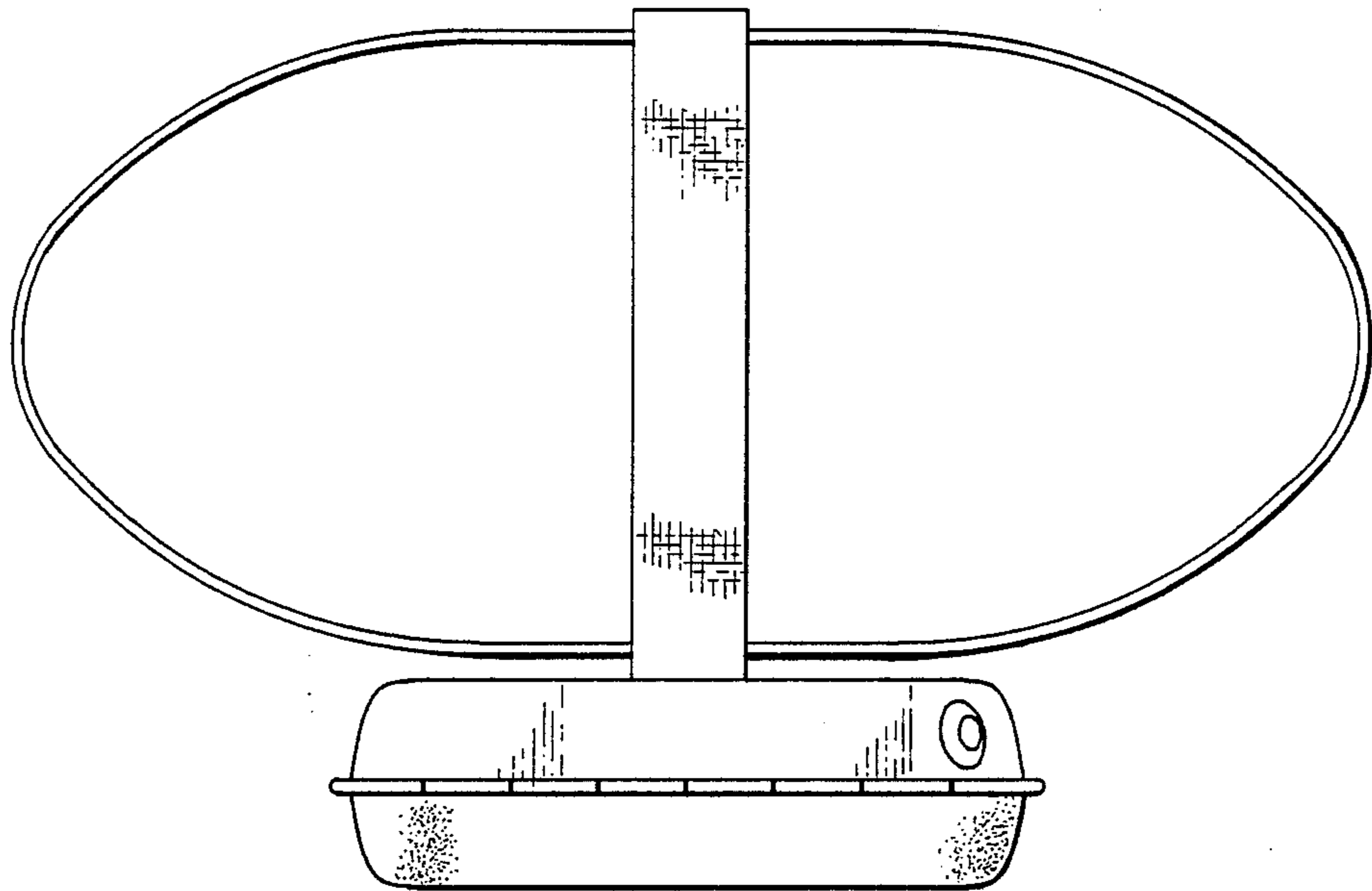


FIG. 5.

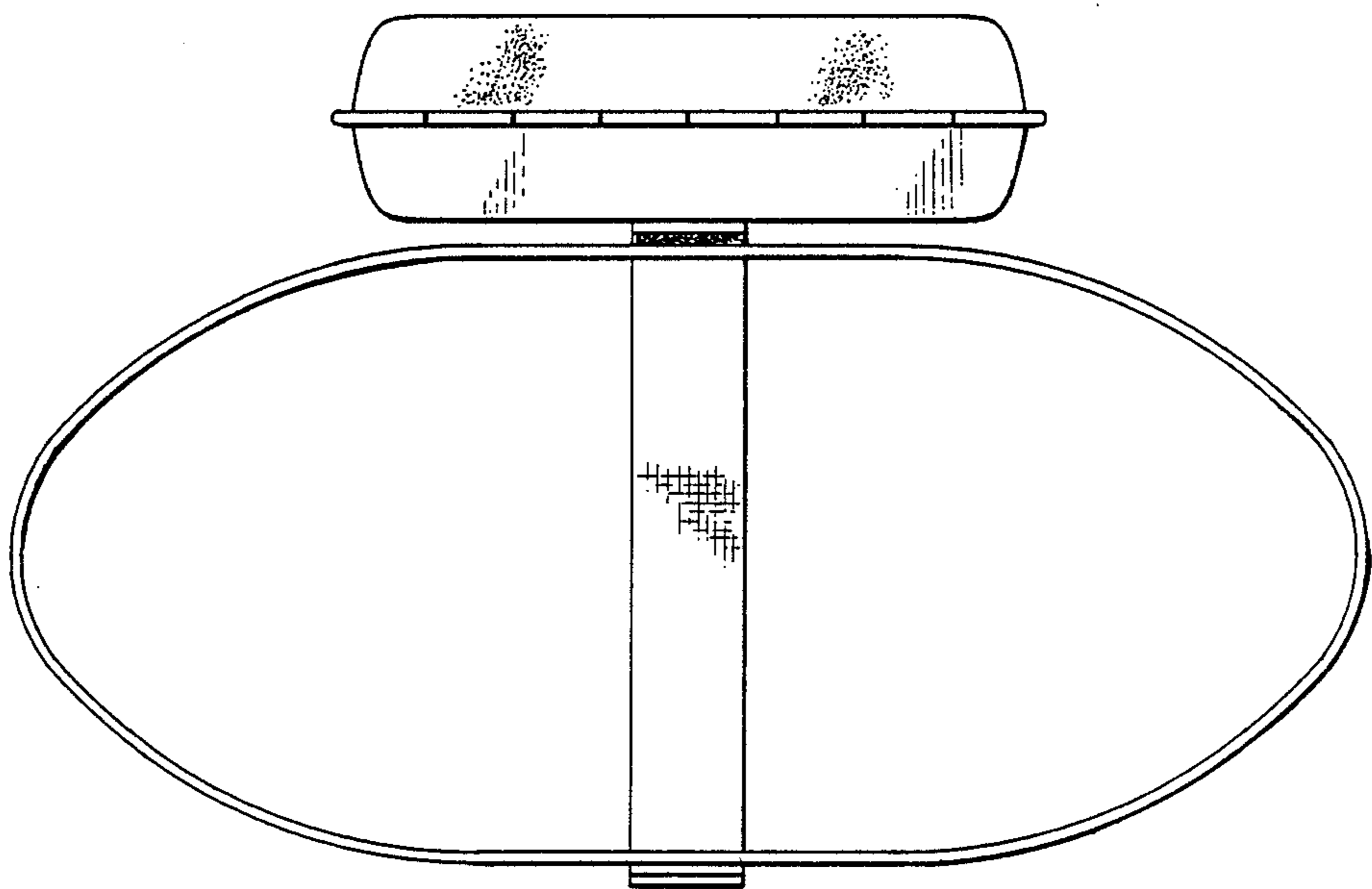


FIG. 6.