

[54] STORAGE WALL CABINET UNIT

[75] Inventor: Frank A. Friedman, San Francisco, Calif.
 [73] Assignee: Herman Miller, Inc., Zeeland, Mich.
 [**] Term: 14 Years
 [21] Appl. No.: 220,818
 [22] Filed: Jul. 18, 1988
 [52] U.S. Cl. D6/509; D6/553; D6/447

[58] Field of Search D6/512, 553, 559, 561, D6/573, 513, 396, 432, 436-437, 445-448, 491, 509-511; 312/198-199, 213-214, 242, 245, 271, 278, 283, 285, 294

[56] References Cited

U.S. PATENT DOCUMENTS

D. 28,710	5/1898	Cooper	D6/559
D. 40,270	9/1909	Ames	.	
D. 119,508	1/1940	Waddell	.	
D. 180,179	4/1957	Elliott	.	
D. 242,968	1/1977	Gulick	D6/559 X
D. 261,573	11/1981	Lattimore	.	
D. 270,409	9/1983	Hannah	.	
1,069,411	8/1913	Greene	241/90 X
2,027,491	1/1936	Percy	.	
2,636,224	4/1953	Murdoch et al.	.	
3,101,226	8/1963	Cochran, Jr.	312/245 X
3,908,320	9/1975	Hogue	52/36
4,033,652	7/1977	O'Brien	312/245
4,103,782	8/1978	Mayer	211/126
4,123,879	11/1978	Blodee et al.	52/36
4,177,612	12/1979	Tochihara	52/36 X
4,358,171	11/1982	Christen	312/286
4,360,991	11/1982	West	312/286 X
4,410,093	10/1983	Chiariello et al.	211/11

OTHER PUBLICATIONS

Hon Catalogue, (1973), "Environ 1",—Wall-Mounted Cabinets.

Primary Examiner—James M. Gandy

Assistant Examiner—Brian N. Vinson

Attorney, Agent, or Firm—Varnum, Riddering, Schmidt & Howlett

[57] CLAIM

The ornamental storage wall cabinet unit, as shown and described.

DESCRIPTION

FIG. 1 is a top, front, and left side perspective view of a storage wall cabinet unit showing my new design, the broken-line depiction of the storage wall being for illustrative purposes only and forming no part of the claimed design;

FIG. 2 is an enlarged front elevational view thereof;

FIG. 3 is an enlarged rear elevational view thereof;

FIG. 4 is an enlarged left side elevational view thereof, the right side being a mirror image of that shown;

FIG. 5 is an enlarged top plan view thereof;

FIG. 6 is an enlarged bottom plan view thereof;

FIG. 7 is an enlarged top, front, and left side perspective view thereof, with the doors shown in an open position;

FIG. 8 is a greatly enlarged, fragmentary top, front, and left side perspective view of the left side thereof, with the doors shown in an open position and the right side portion of the cabinet omitted for convenience of illustration;

FIG. 9 is a greatly enlarged, fragmentary horizontal cross-sectional view of the left, front portion thereof, taken along line 9—9 of FIG. 8 with the remainder of the cabinet omitted for convenience of illustration;

FIG. 10 is a greatly enlarged, fragmentary top, front, and right side perspective view of the left side thereof, with the doors shown in an open position and the right side portion of the cabinet omitted for convenience of illustration;

FIG. 11 is an enlarged front elevational view thereof, with the doors shown in an open position;

FIG. 12 is an enlarged top plan view thereof, with the doors shown in an open position;

FIG. 13 is a top, front, and left side perspective view of an alternate embodiment thereof;

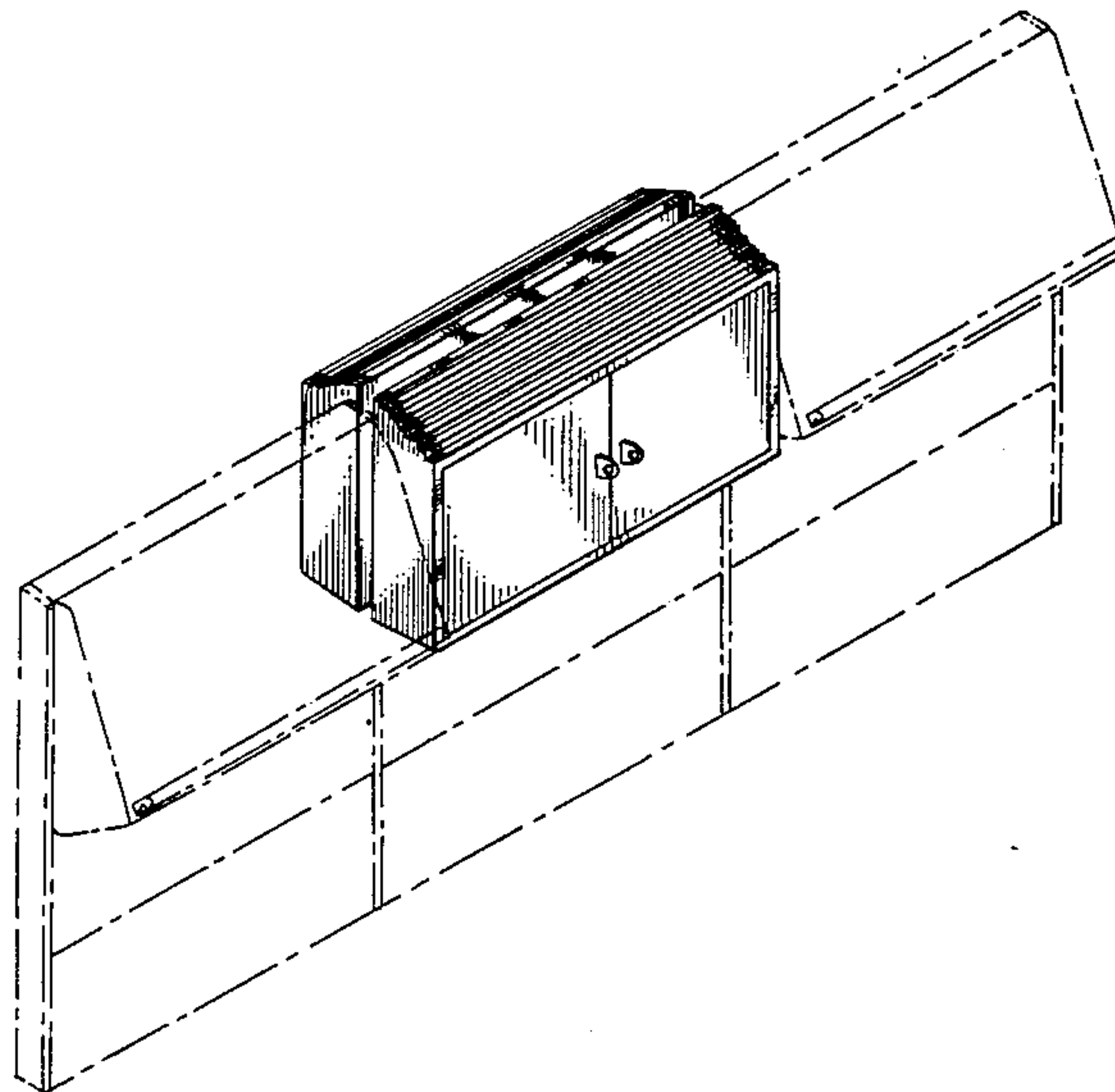
FIG. 14 is a front elevational view of the embodiment of FIG. 13;

FIG. 15 is a left side elevational view of the embodiment of FIG. 13, the right side being a mirror image of that shown;

FIG. 16 is a top, front, and left side perspective view of the embodiment of FIG. 13, with the doors shown in an open position;

FIG. 17 is a front elevational view of the embodiment of FIG. 13, with the doors shown in an open position; and

FIG. 18 is a fragmentary front and left side perspective view of the bottom right side of the embodiment of FIG. 13, with the remainder of the cabinet omitted for convenience of illustration.



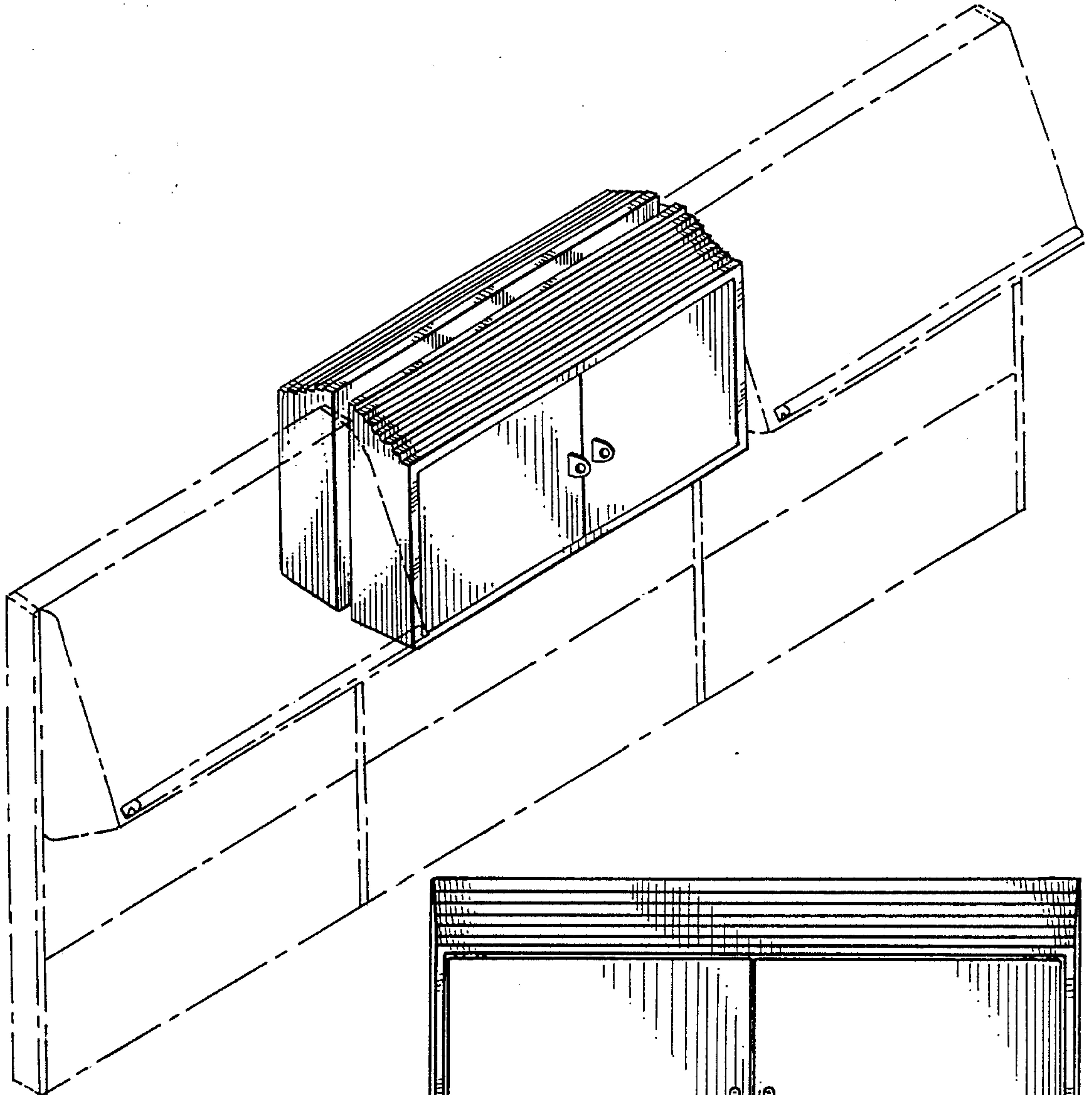


FIG. 1

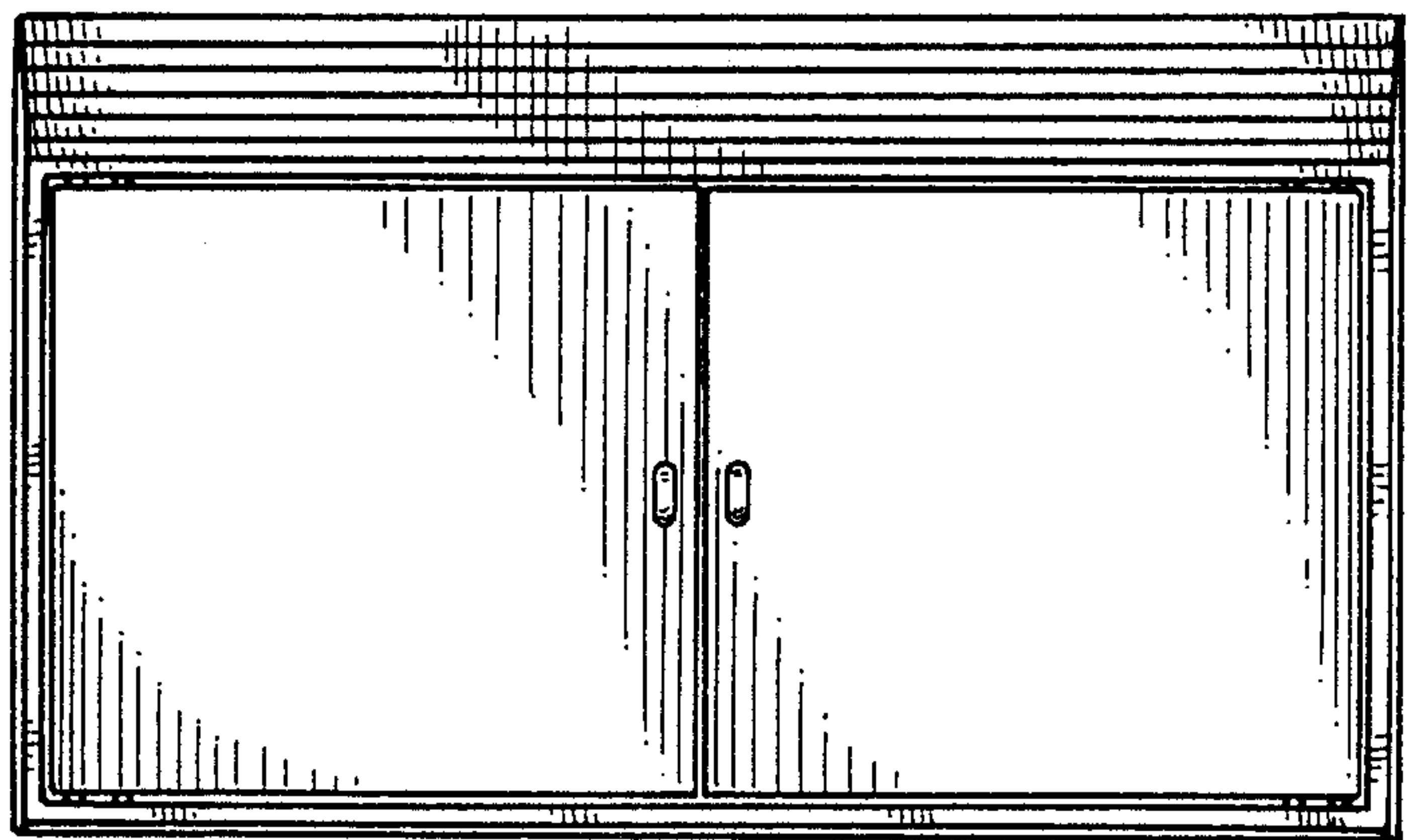


FIG. 2

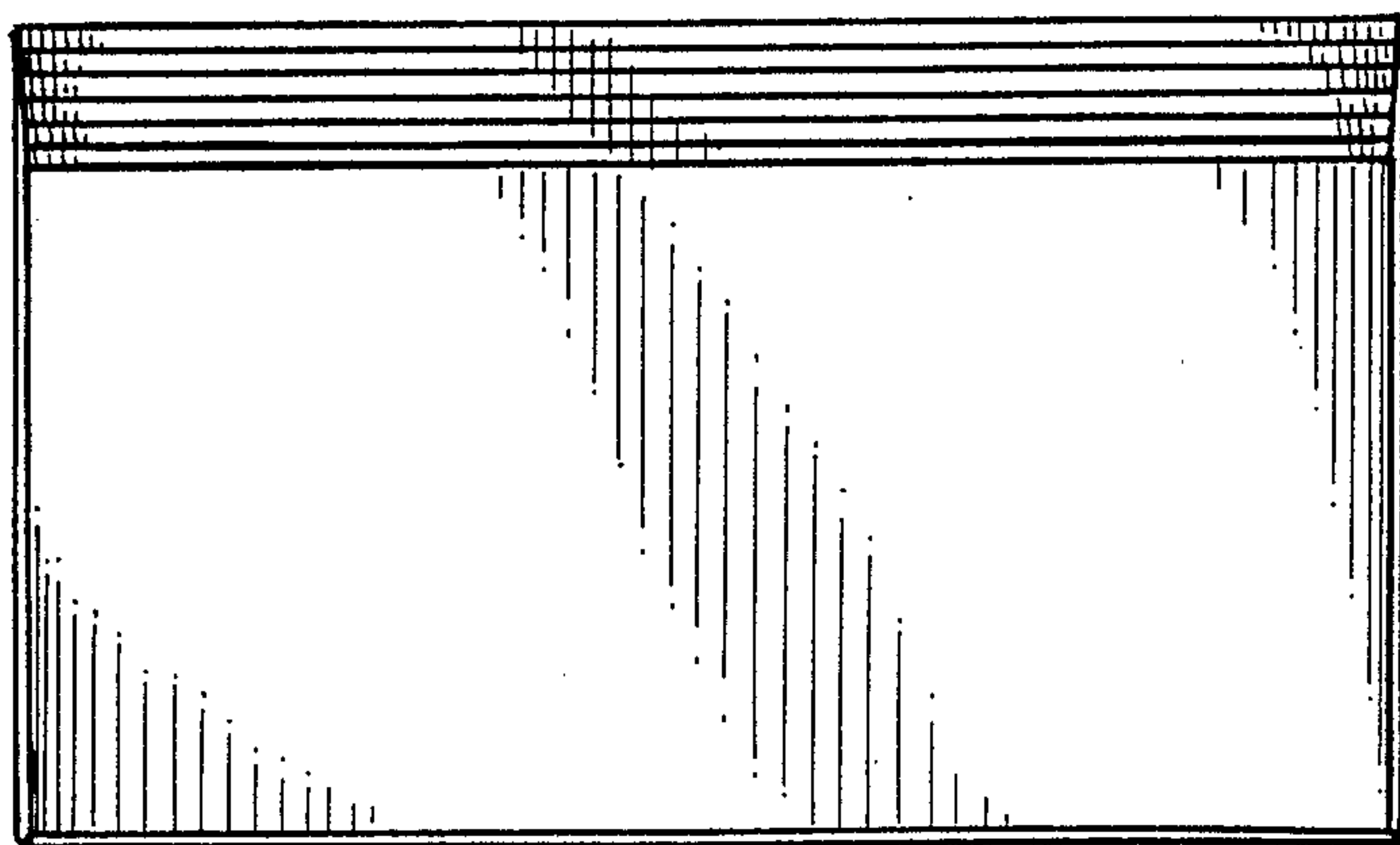


FIG. 3

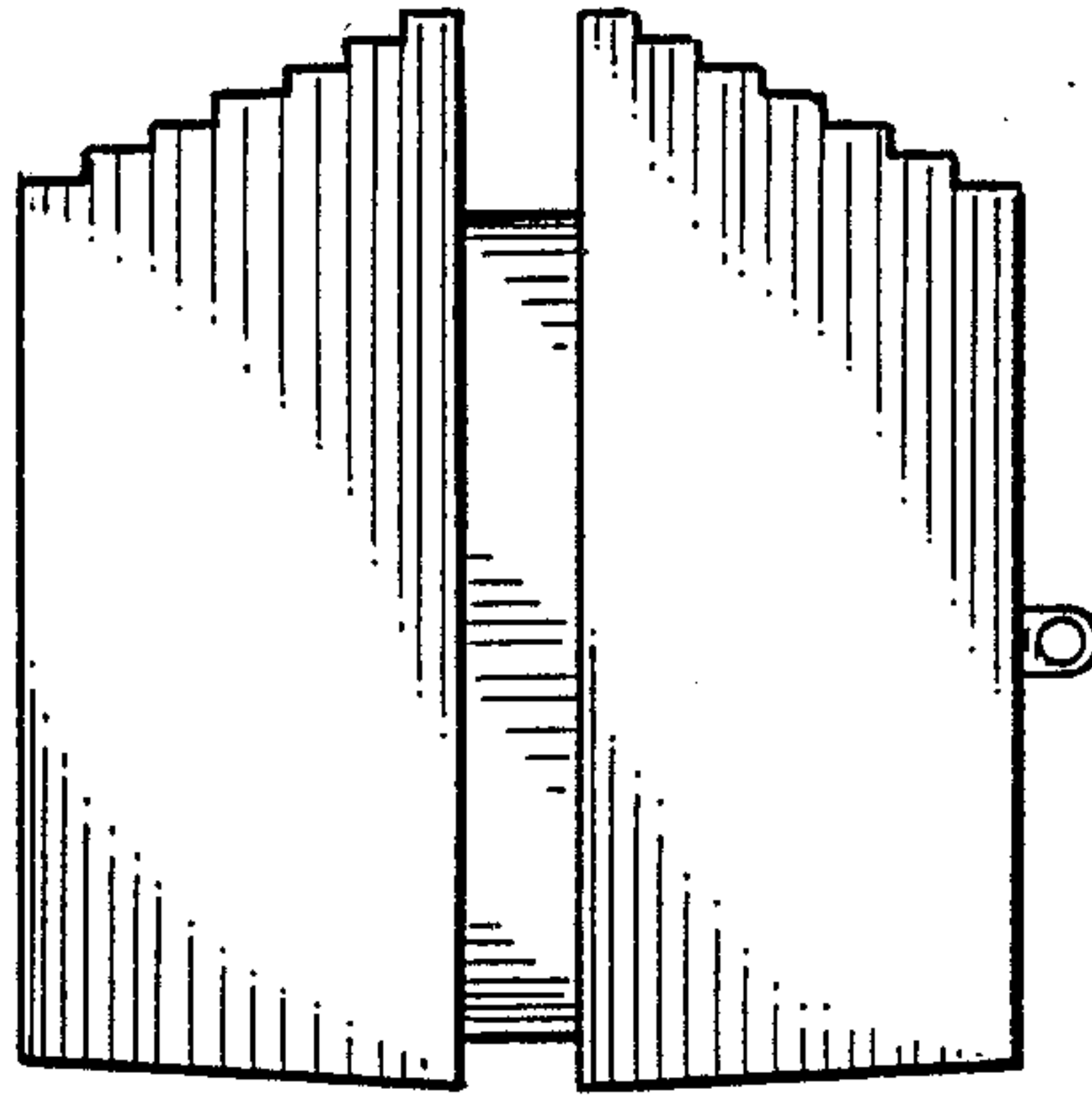


FIG. 4

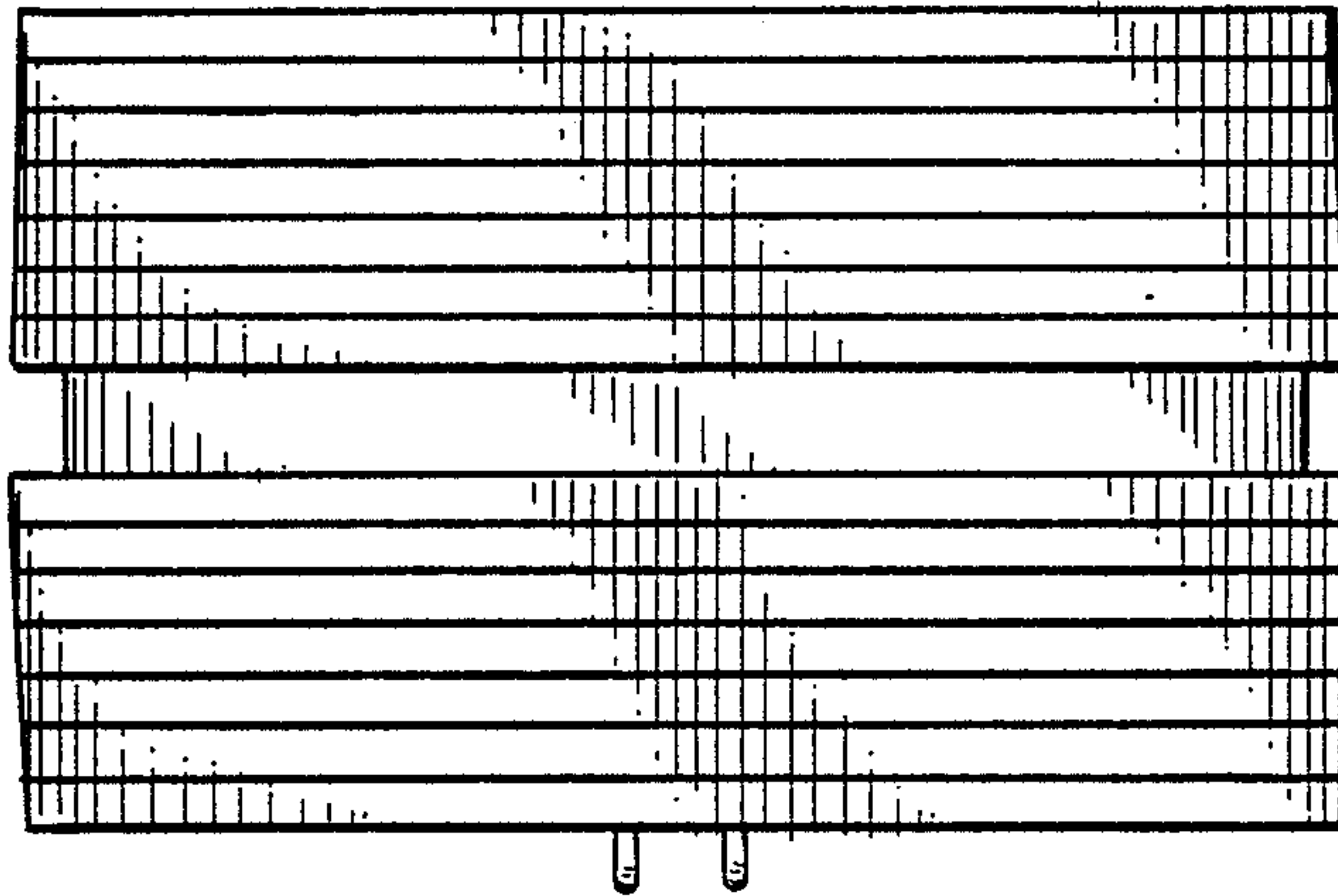


FIG. 5

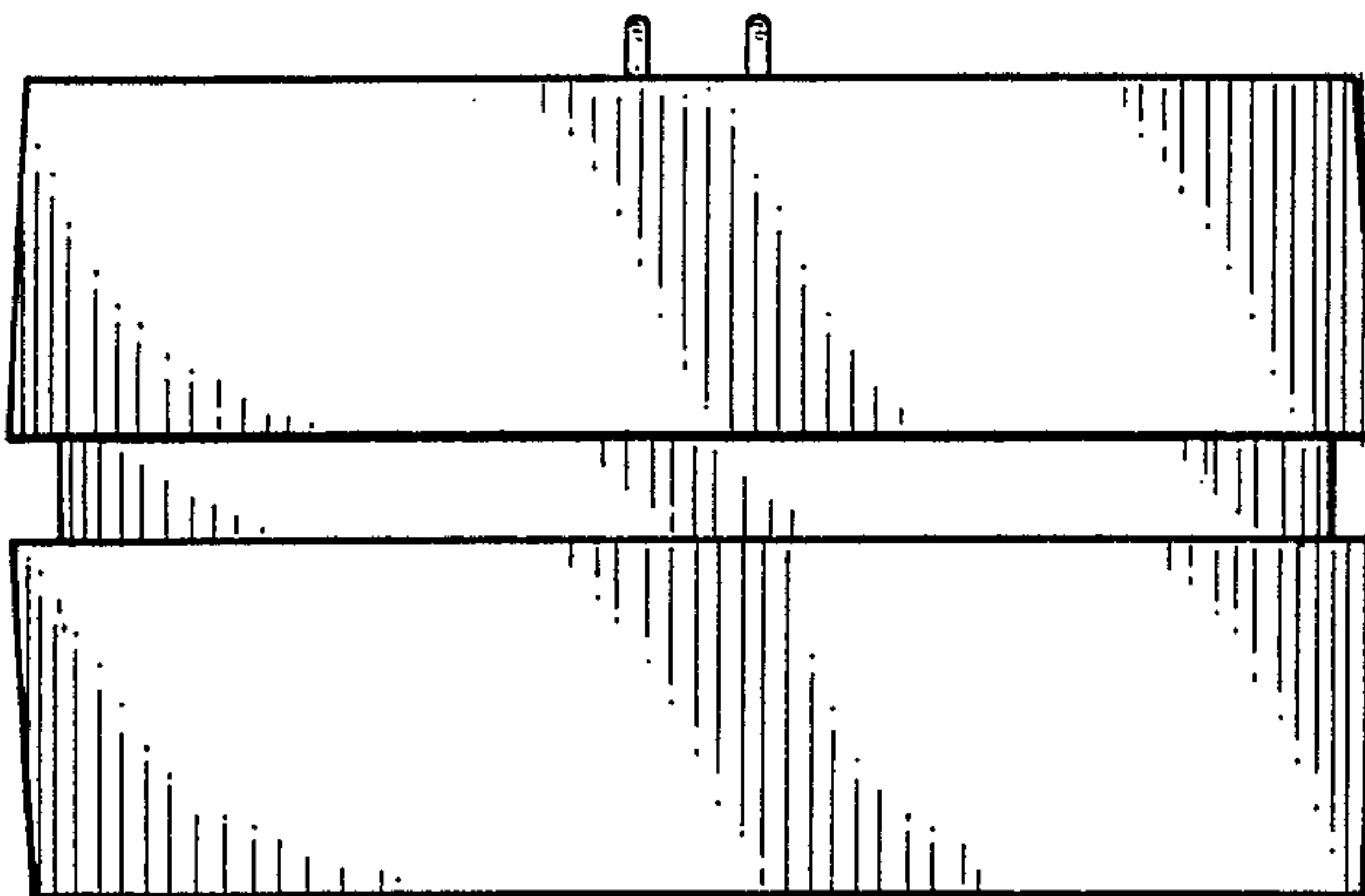
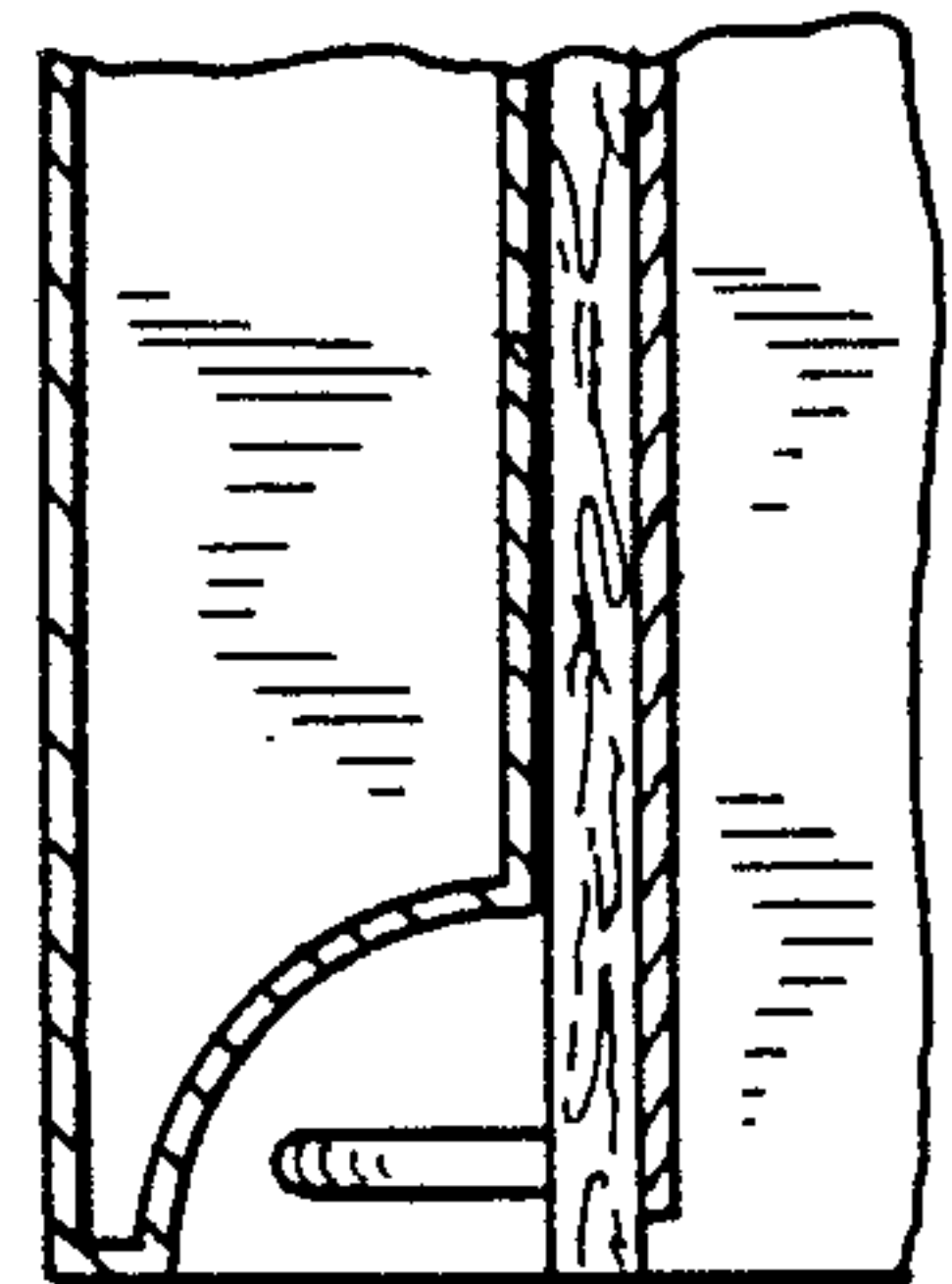
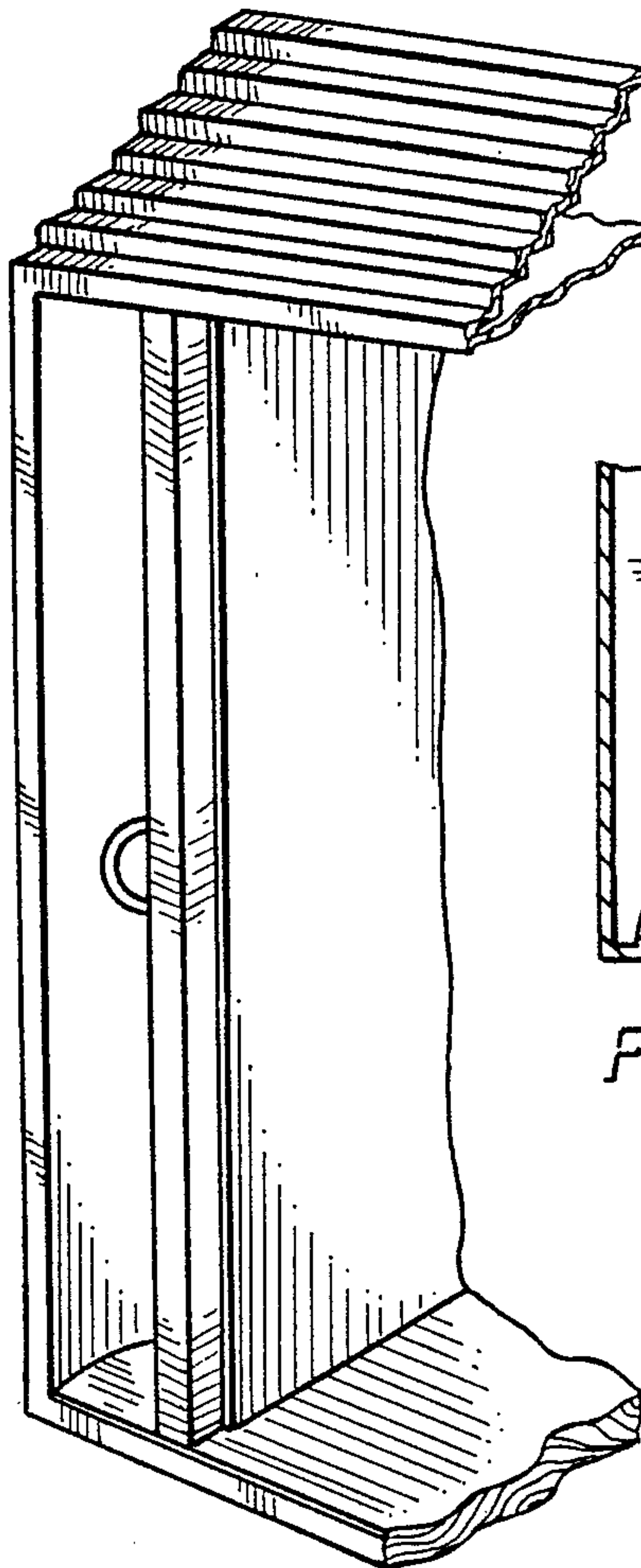
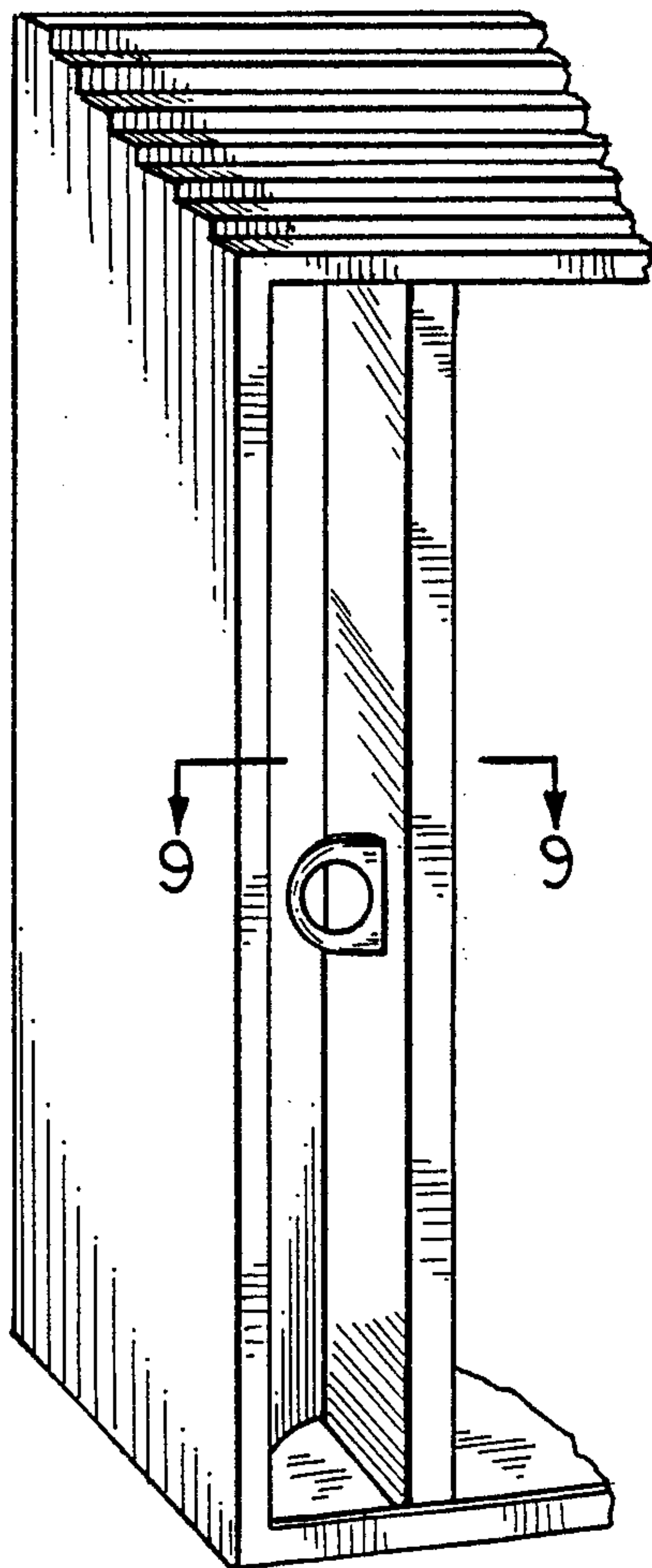
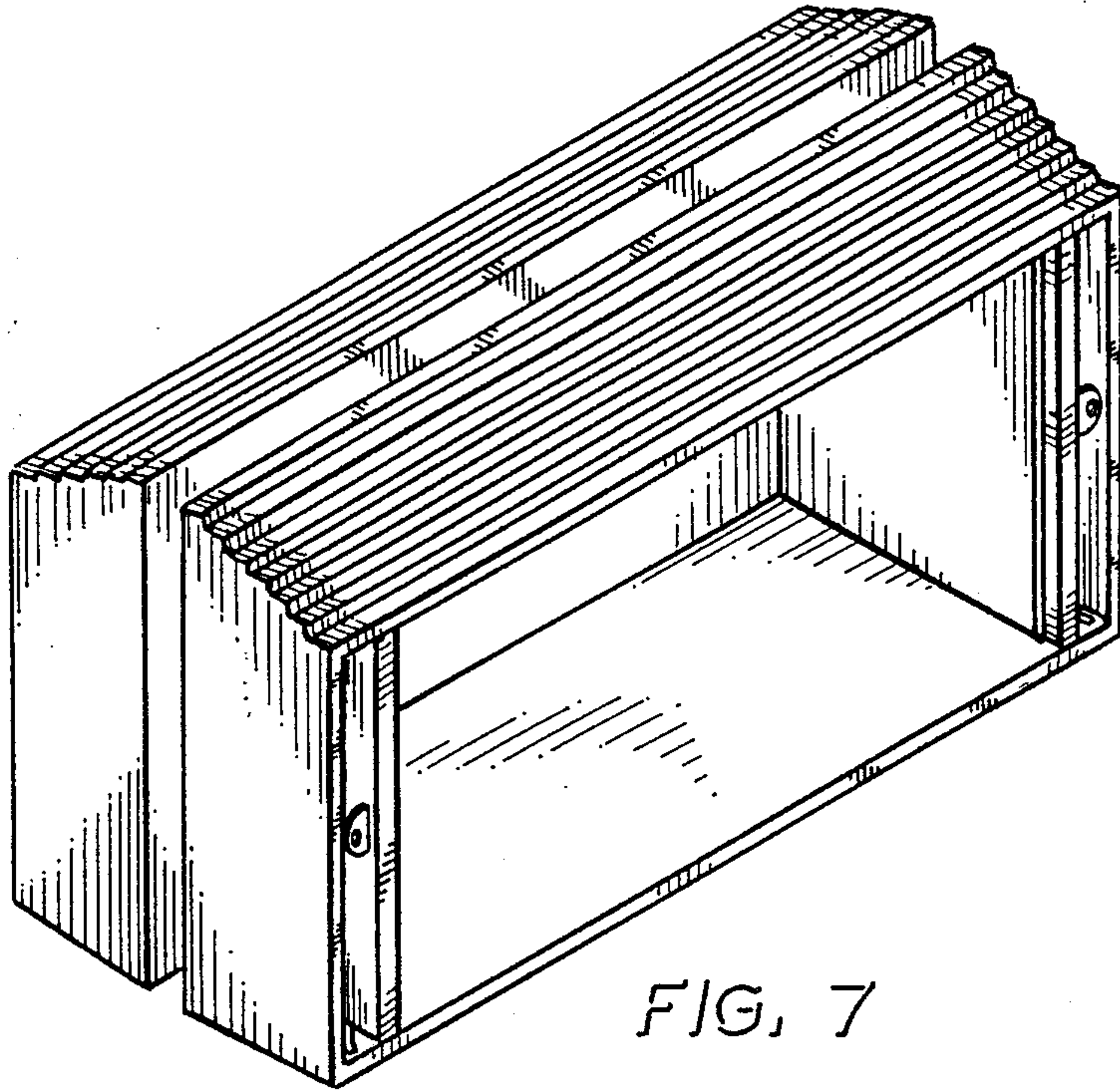


FIG. 6



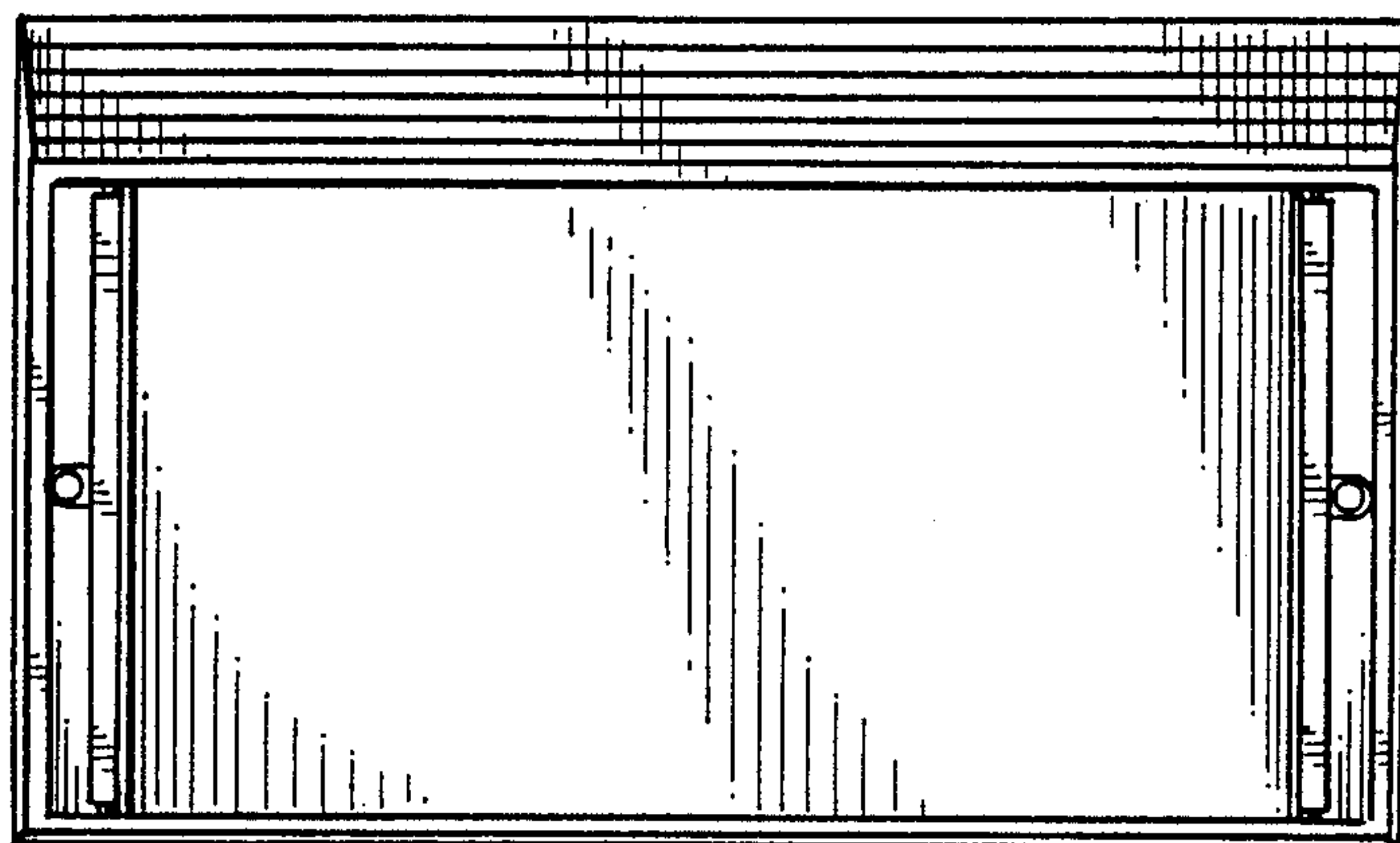


FIG. 11

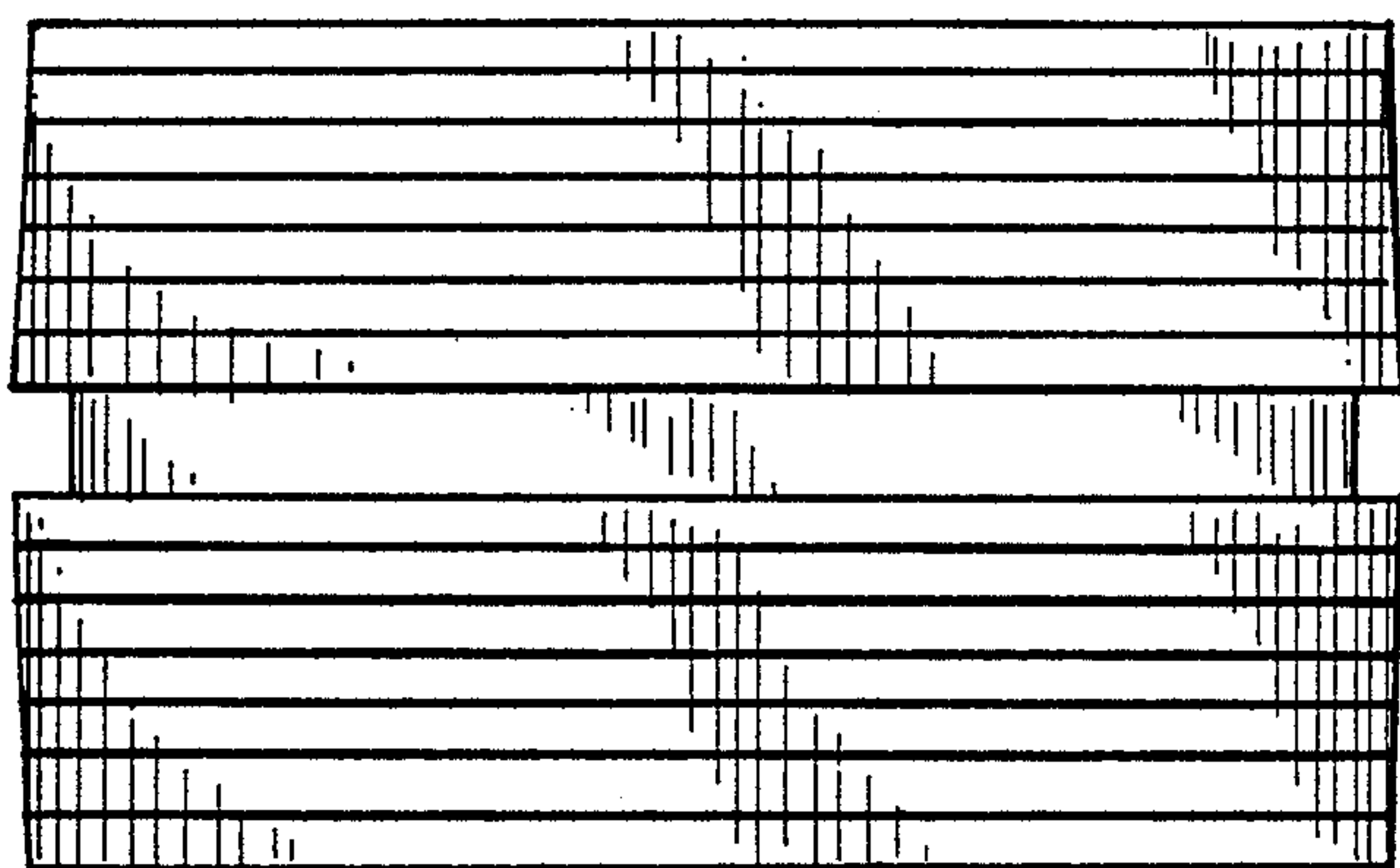


FIG. 12

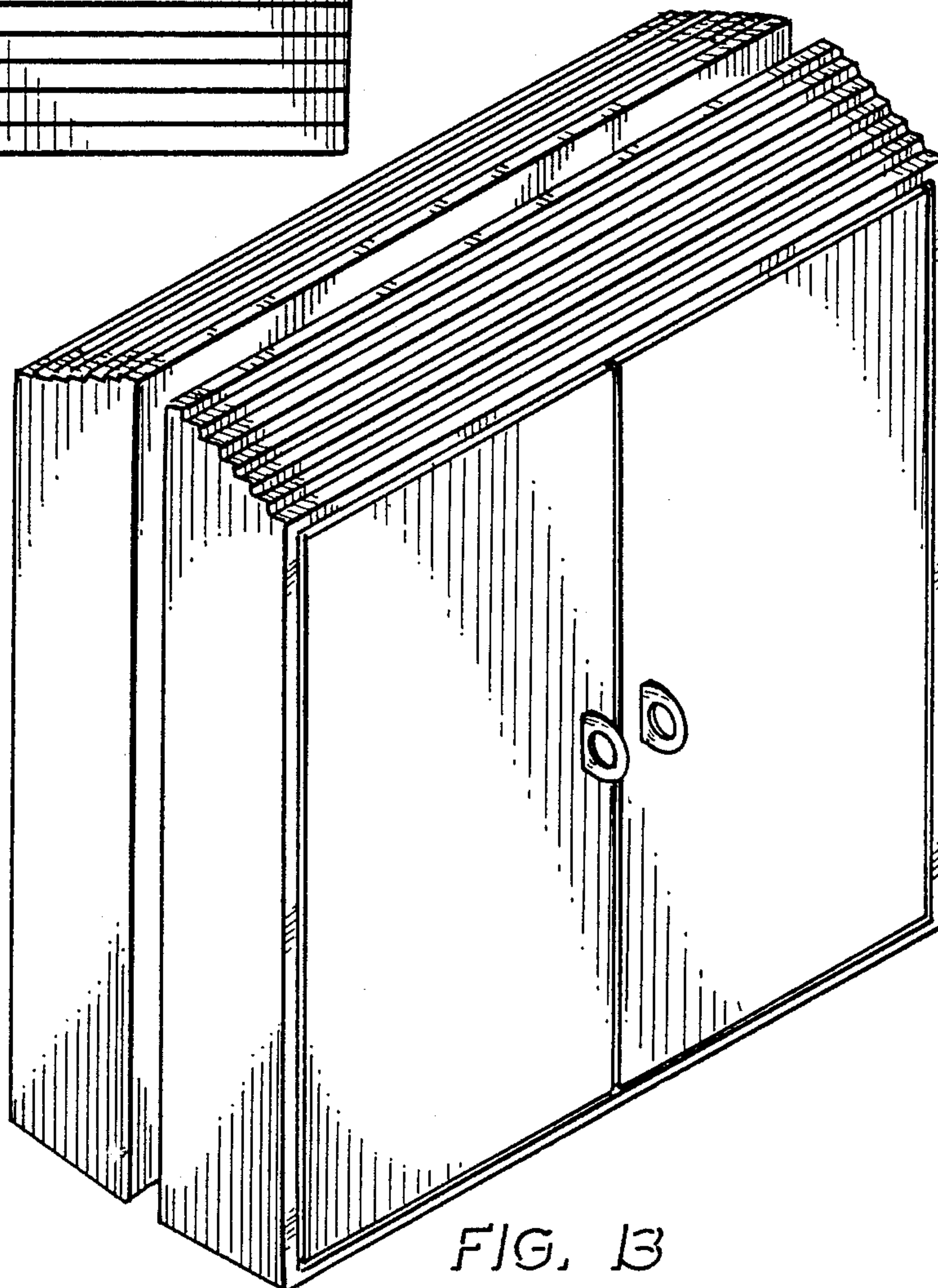


FIG. 13

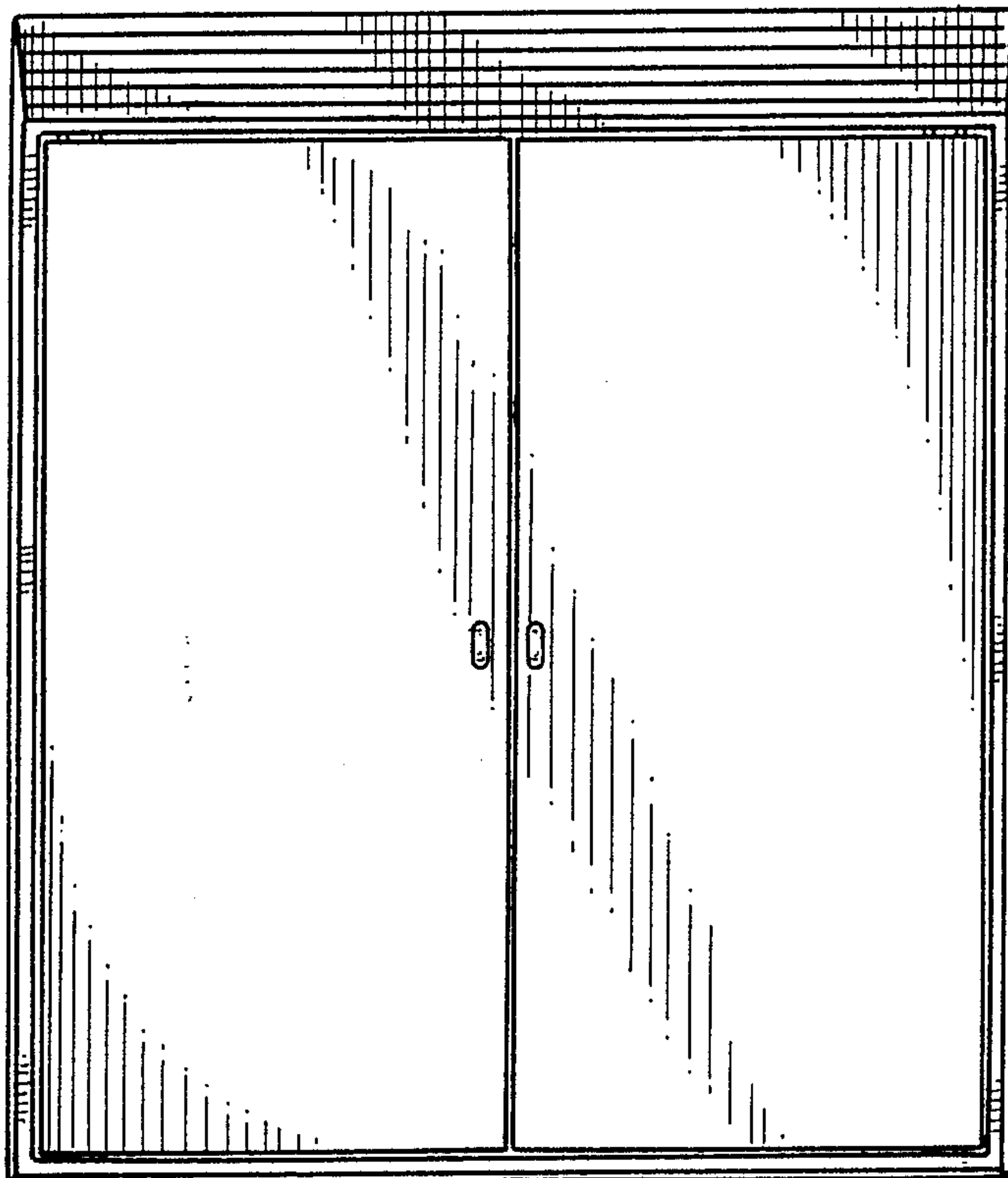


FIG. 14

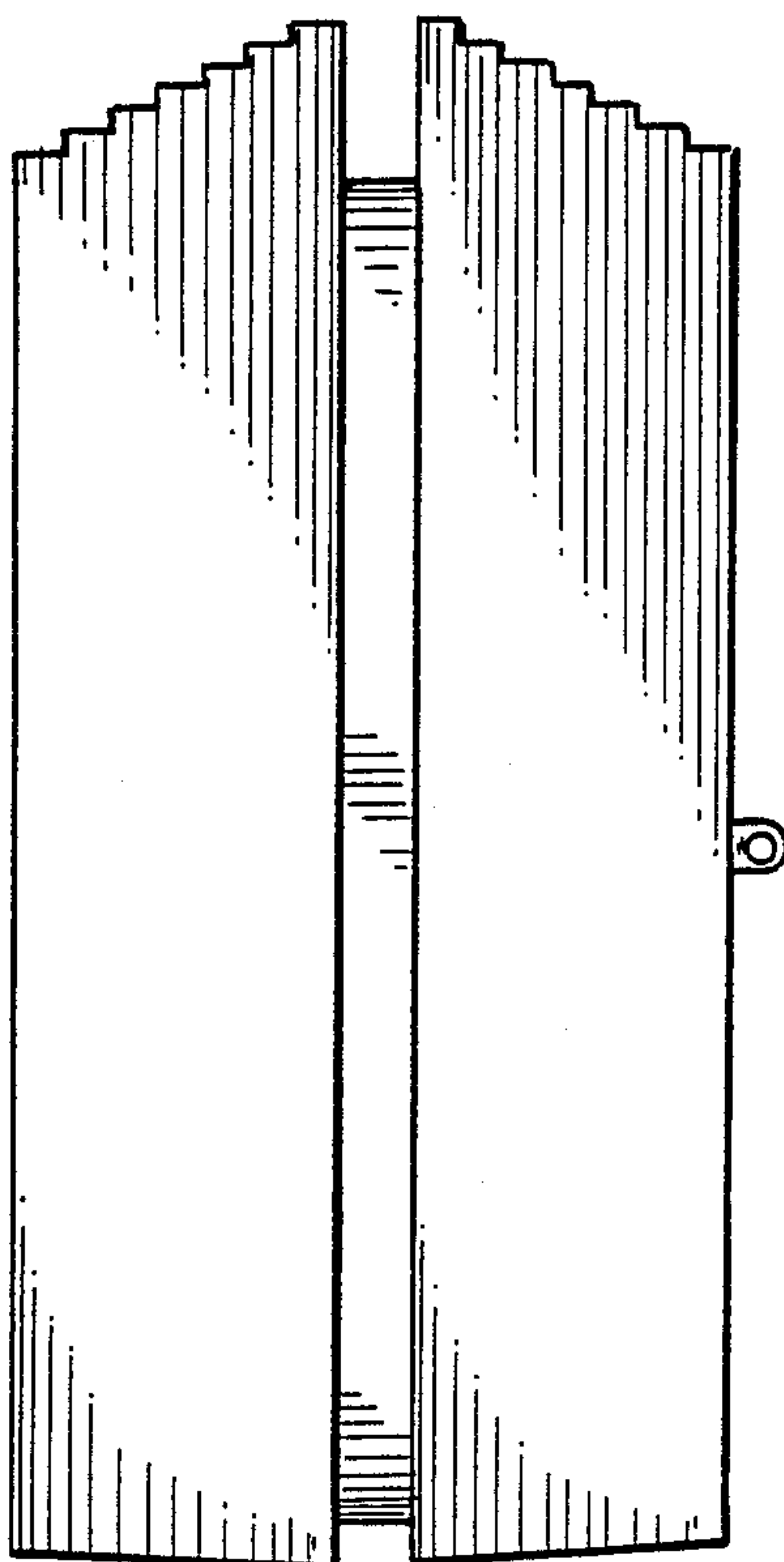


FIG. 15

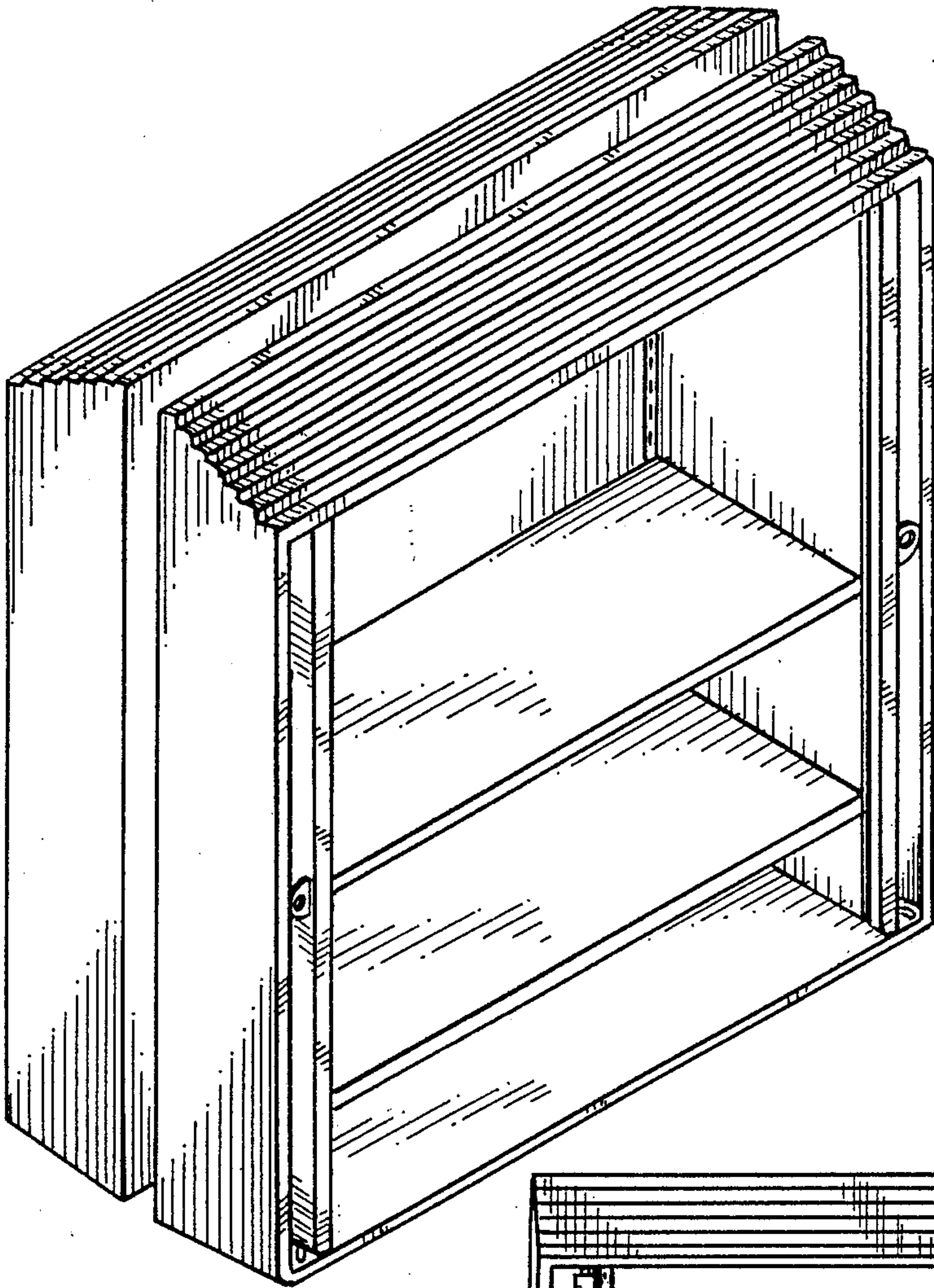


FIG. 16

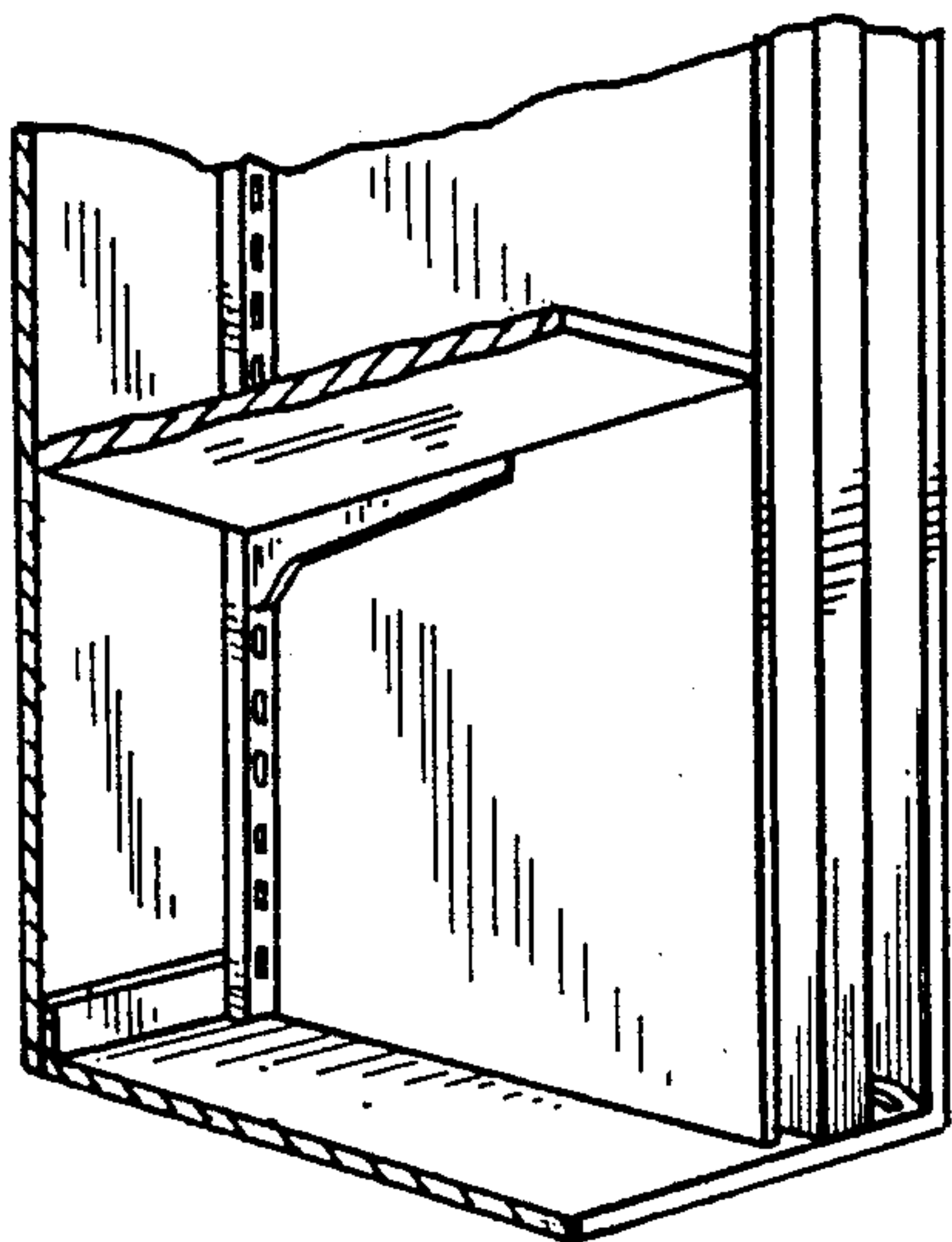


FIG. 18

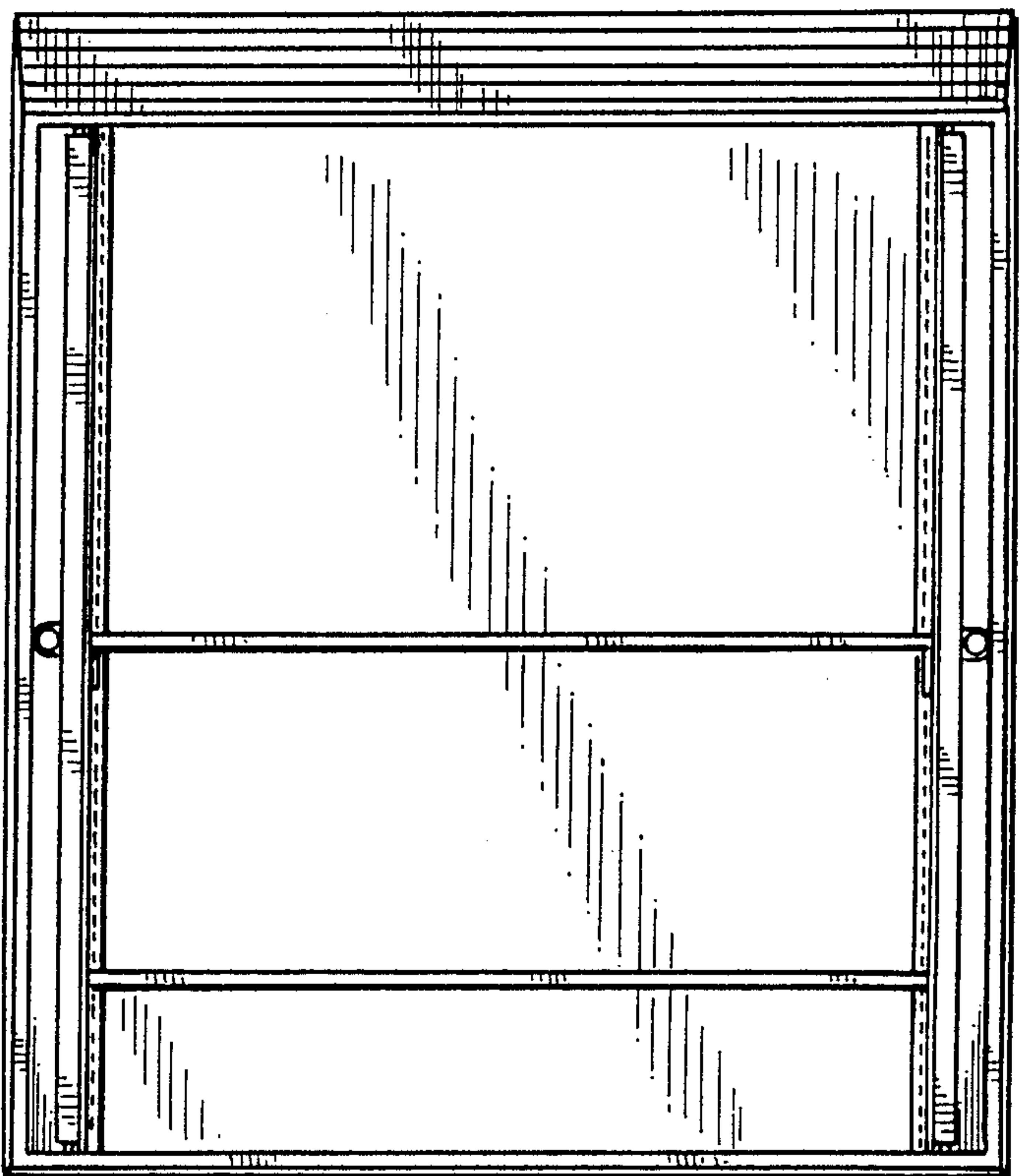


FIG. 17