

[54] CHAIR BASE

[75] Inventors: Robert J. Aronowitz, New York; Bernard D. Katzanek, Dobbs Ferry, both of N.Y.

[73] Assignee: The Gunlocke Company, Wayland, N.Y.

[**] Term: 14 Years

[21] Appl. No.: 60,670

[22] Filed: Jun. 10, 1987

[52] U.S. Cl. D6/498

[58] Field of Search D6/491, 495, 498, 499, D6/480, 484, 487-489, 429

[56] References Cited

U.S. PATENT DOCUMENTS

D. 133,261	8/1942	Thelander	D6/495
D. 259,756	7/1981	Albinson	D6/498
D. 260,216	8/1981	Buhk	D6/498
D. 301,420	6/1989	Garnich	D6/498

OTHER PUBLICATIONS

Chromcraft Catalog, p. O-31, Westwood Series, Chair Base.

Primary Examiner—Bruce W. Dunkins

Assistant Examiner—Janice Seeger

Attorney, Agent, or Firm—Cumpston & Shaw

[57] CLAIM

The ornamental design for a chair base, as shown and described.

DESCRIPTION

FIG. 1 is a perspective view of a chair base showing my new design;

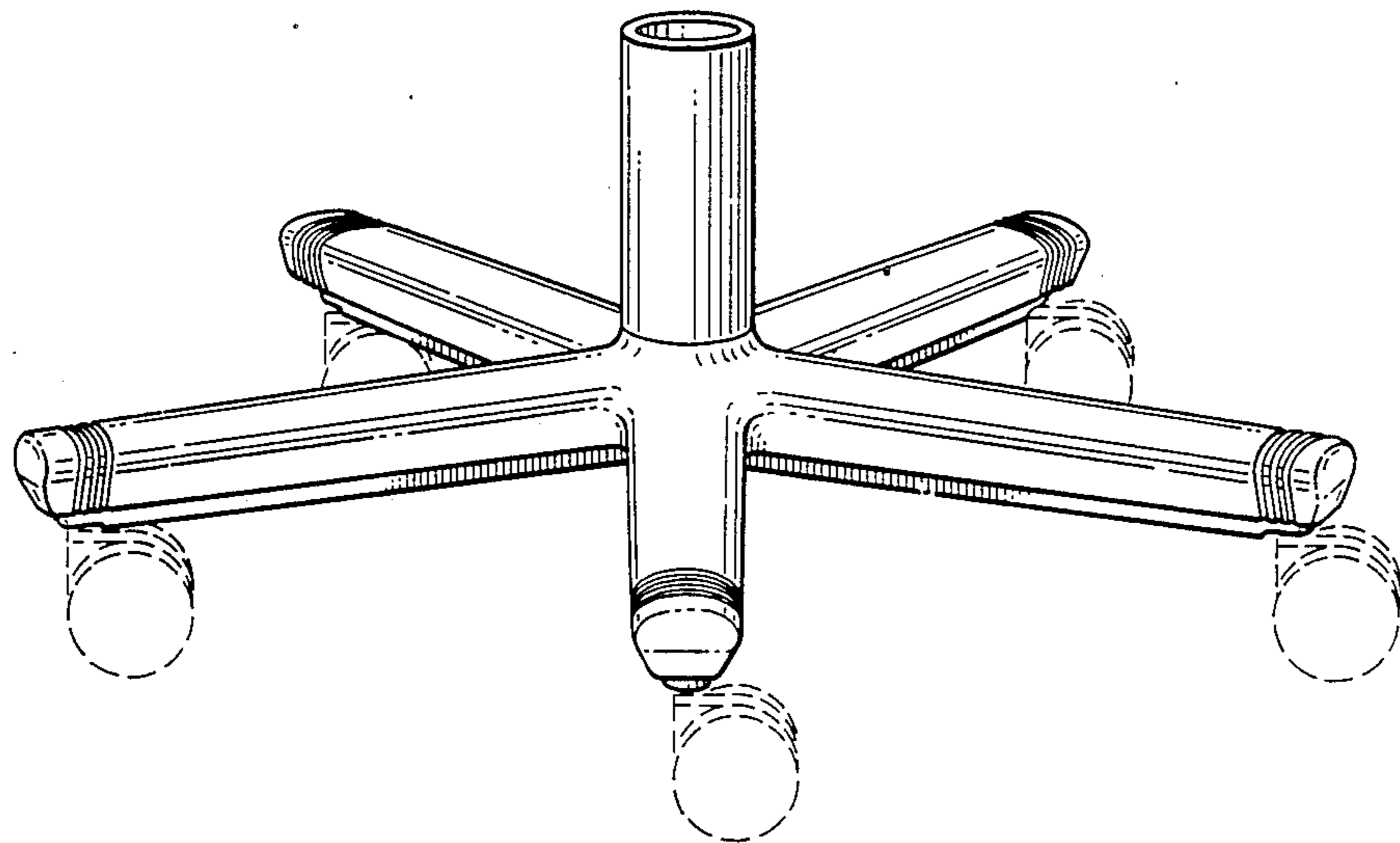
FIG. 2 is a front elevational view thereof;

FIG. 3 is a side elevational view, the opposite side being a mirror image thereof;

FIG. 4 is a top plan view thereof; and

FIG. 5 is a rear elevational view thereof.

In order to illustrate the environment in which the claimed design is used, exemplary wheels are shown in phantom. The wheels form no part of the claimed design.



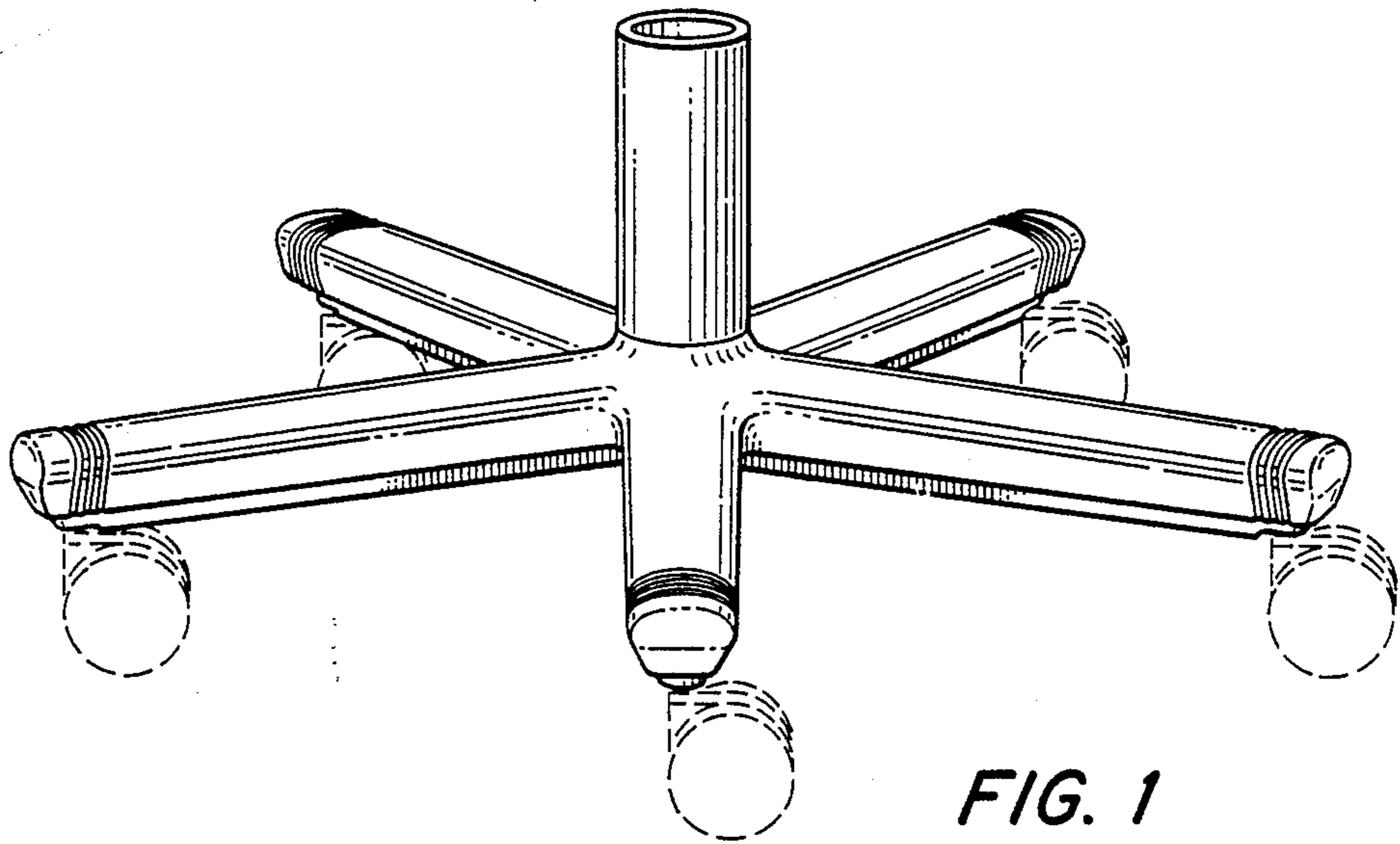


FIG. 1

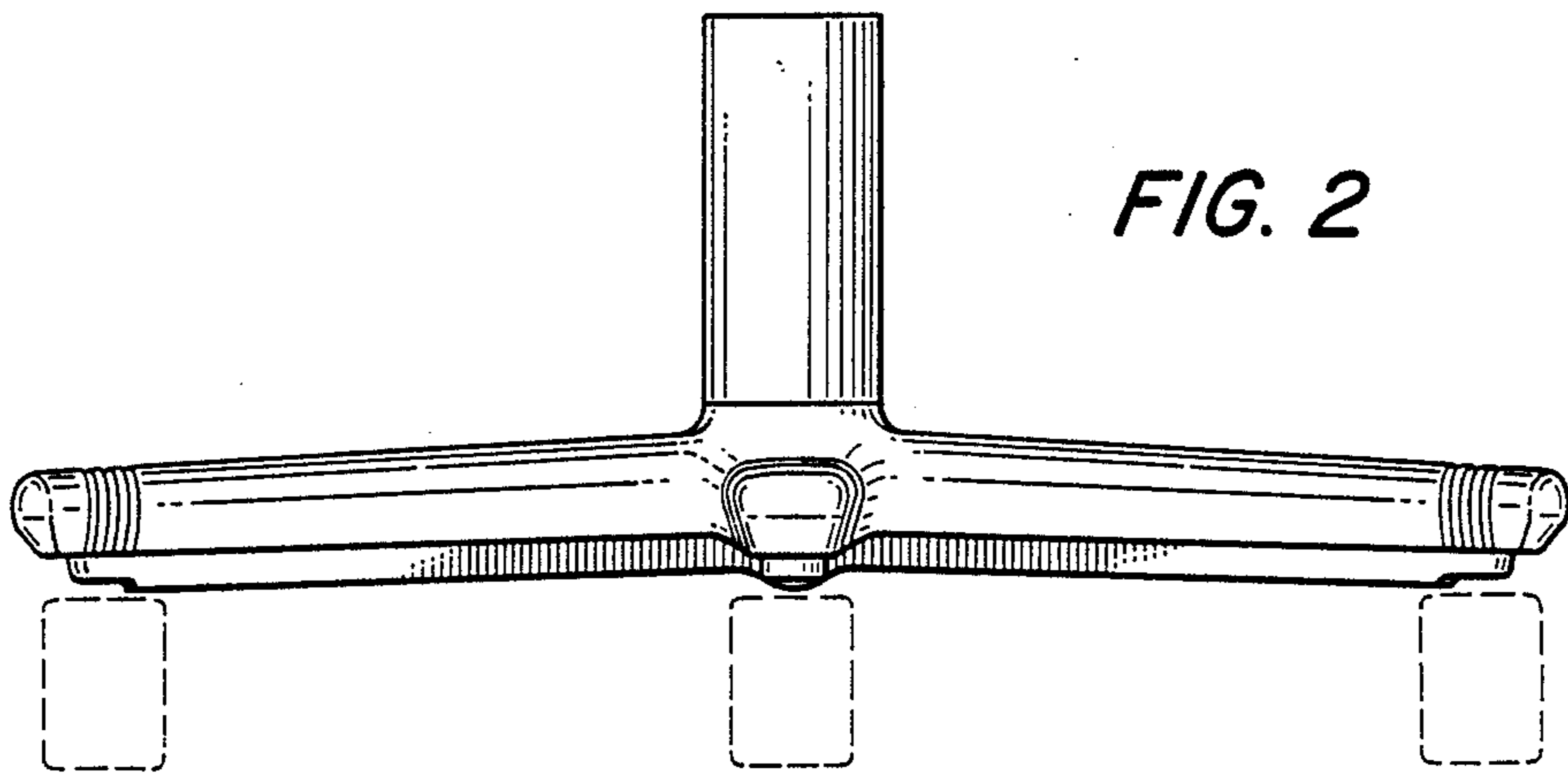


FIG. 2

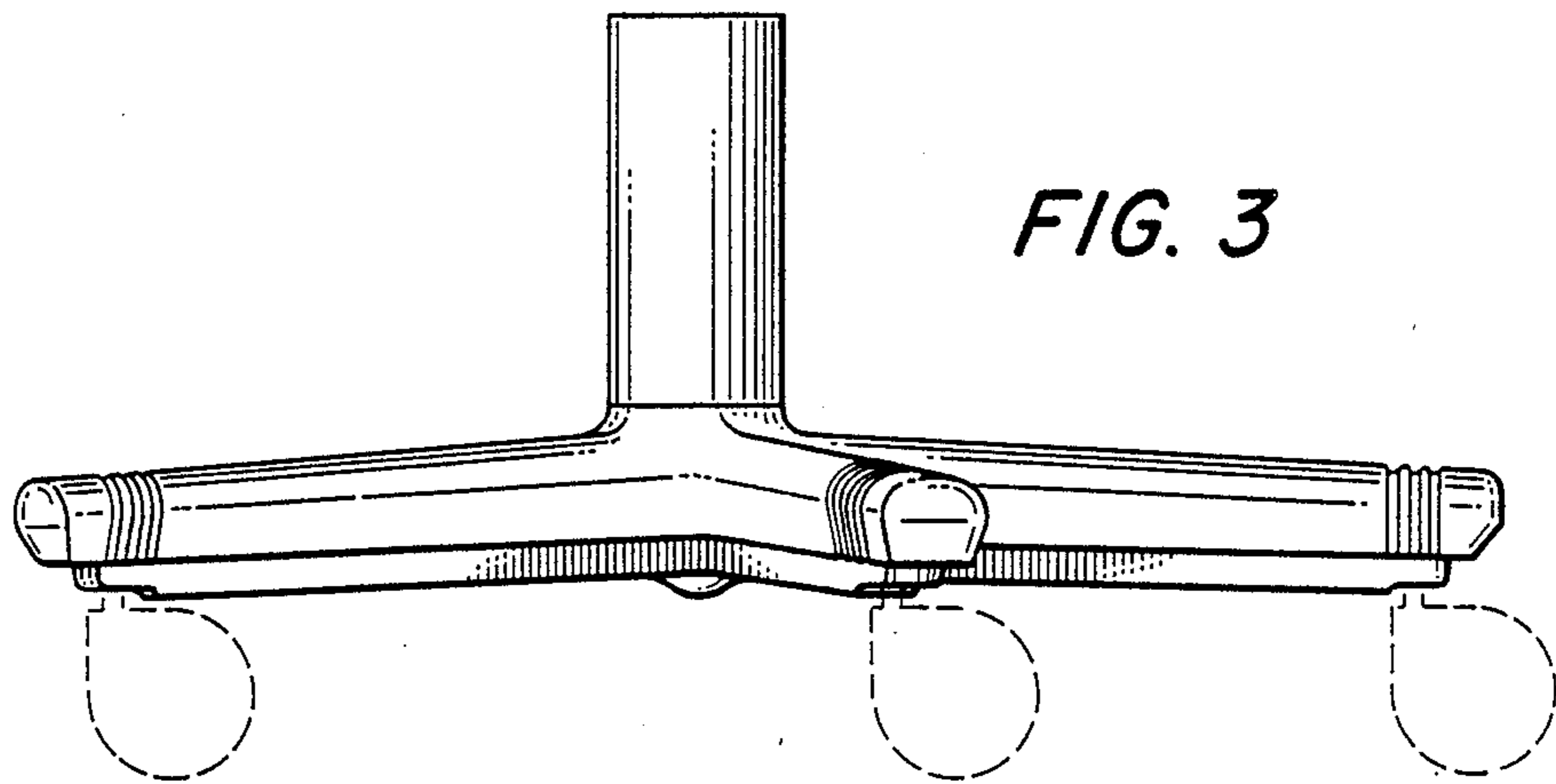


FIG. 3

