

United States Patent [19]

Caruso et al.

[11] Patent Number: **Des. 312,011**

[45] Date of Patent: **** Nov. 13, 1990**

[54] **CHAIR BASE**

[75] Inventors: **Jerome C. Caruso, Lake Forest, Ill.;
Ludovic A. Perl, North York, Canada**

[73] Assignee: **Shepherd Products U.S., Inc., St.
Joseph, Mich.**

[*] Notice: **The portion of the term of this patent
subsequent to Nov. 7, 2003 has been
disclaimed.**

[**] Term: **14 Years**

[21] Appl. No.: **77,782**

[22] Filed: **Jul. 27, 1987**

[52] U.S. Cl. **D6/498**

[58] Field of Search **D6/498, 366, 330, 335,
D6/368; 297/301, 457**

[56] **References Cited**

U.S. PATENT DOCUMENTS

D. 109,152	4/1938	Powell	D6/366
D. 238,646	2/1976	Schoblom	D6/498
D. 260,639	9/1981	Long	D6/498 X
4,529,247	7/1985	Stumpf et al.	D6/366 X

Primary Examiner—Carmen H. Vales-Lado
Attorney, Agent, or Firm—Lee, Mann, Smith,
McWilliams & Sweeney

[57] **CLAIM**

The ornamental design for a chair base, as shown and described.

DESCRIPTION

FIG. 1 is a side elevational view of a chair base showing our new design;
FIG. 2 is a top plan view thereof; and
FIG. 3 is a bottom plan view thereof.

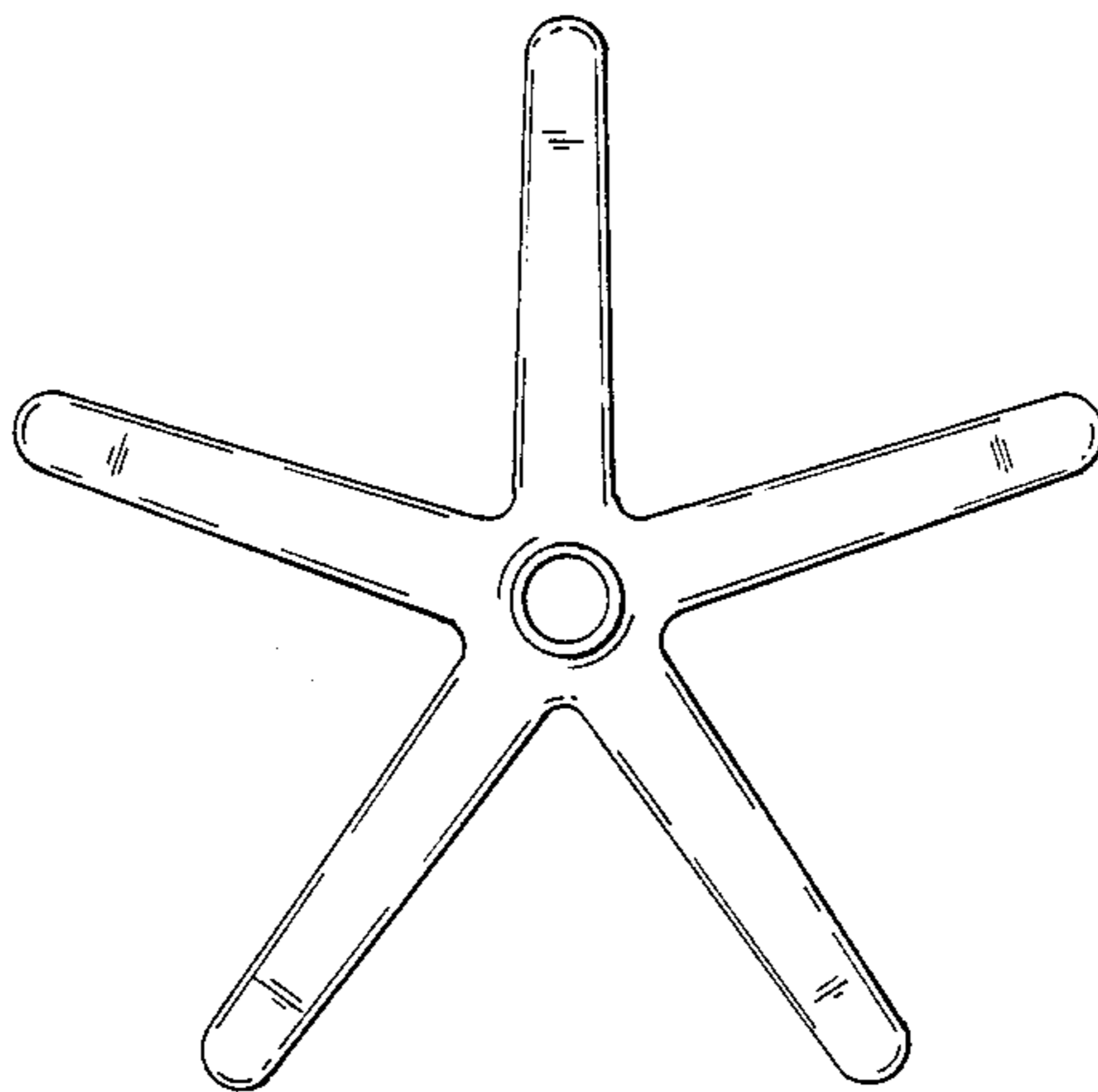
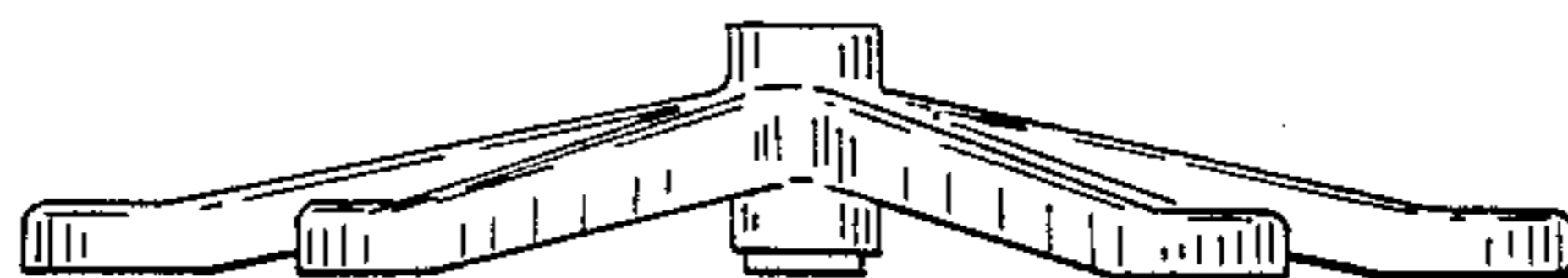


FIG. 1

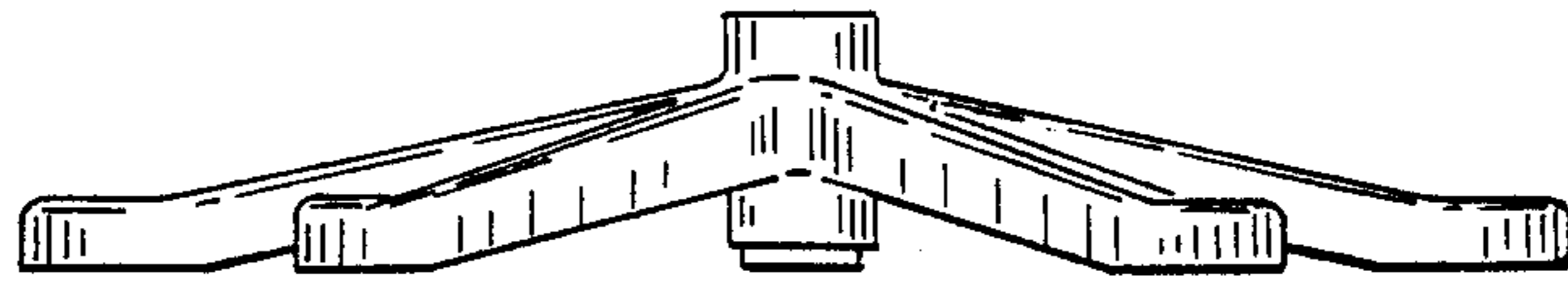


FIG. 2

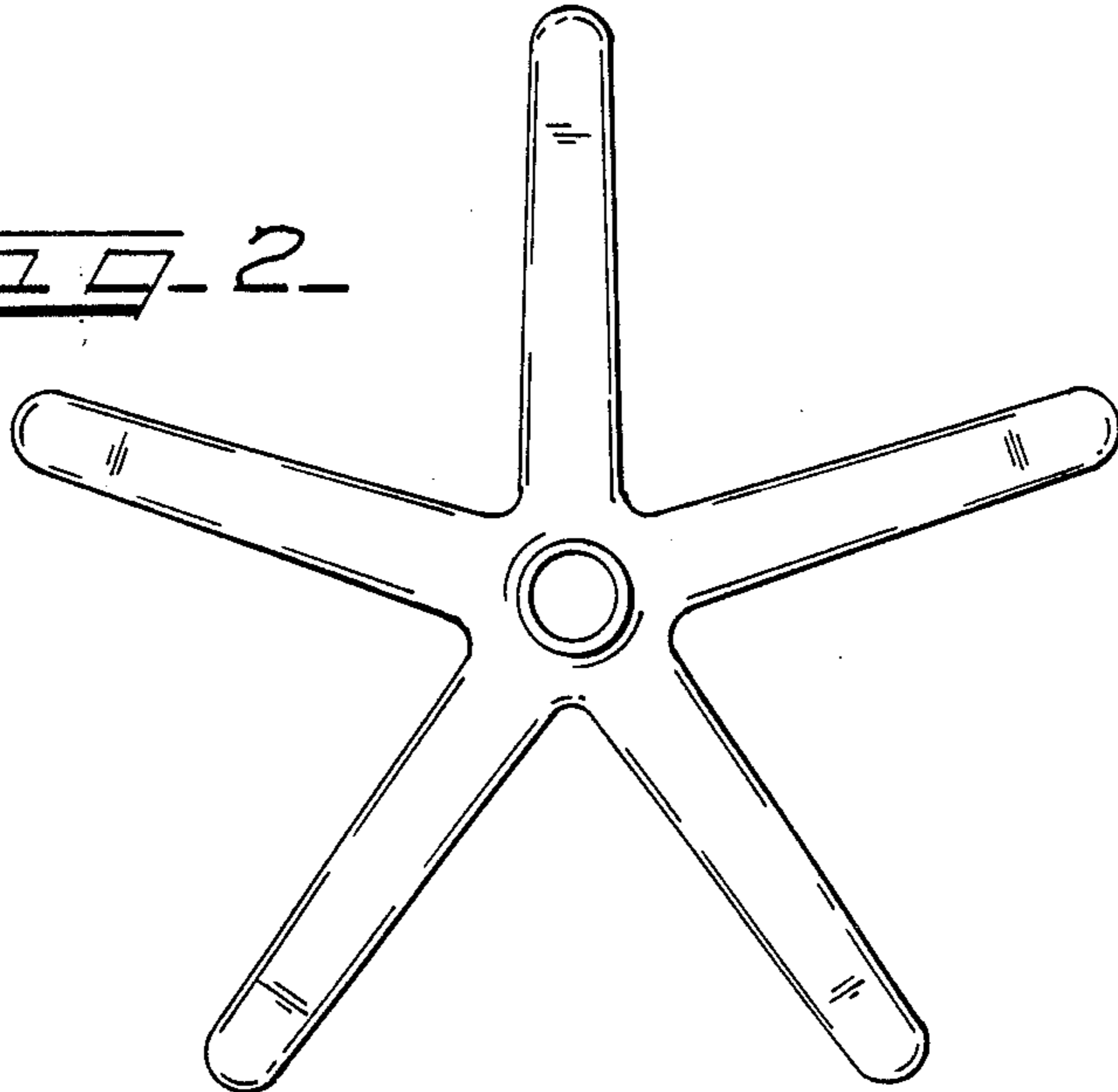


FIG. 3

