

[54] TEACART

[75] Inventor: Peter M. Yau Kee, Happy Valley, Hong Kong

[73] Assignee: Rosalco, Inc., Louisville, Ky.

[\*\*] Term: 14 Years

[21] Appl. No.: 343,131

[22] Filed: Apr. 25, 1989

[52] U.S. Cl. .... D6/479; D6/465; D6/474; D34/21

[58] Field of Search ..... D34/12, 14, 21; D6/462, D6/464, 465, 474, 477, 479; 211/182

[56] References Cited

U.S. PATENT DOCUMENTS

D. 45,694	4/1914	Rosenberger	.....	D6/465
D. 176,473	12/1955	Moxley	.....	D34/21
D. 292,658	11/1987	Kester	.....	D6/465
D. 301,790	6/1989	Wano	.....	D34/21

OTHER PUBLICATIONS

W. Bell & Co. Catalog, 1987, p. 151, Item No. 3. Furniture/Today, 7/11/1988 & 4/18/88, Dowell advertisement.

Progressive Arch., 1/1983, p. 179.

Aribare, 9/1981, p. 137, #9 & #10.

Furniture Today, p. 4—advertisement.

Primary Examiner—Bruce W. Dunkins

Assistant Examiner—Jeffrey Asch

Attorney, Agent, or Firm—Rhodes, Coats & Bennett

[57] CLAIM

The ornamental design for a teacart, as shown and described.

DESCRIPTION

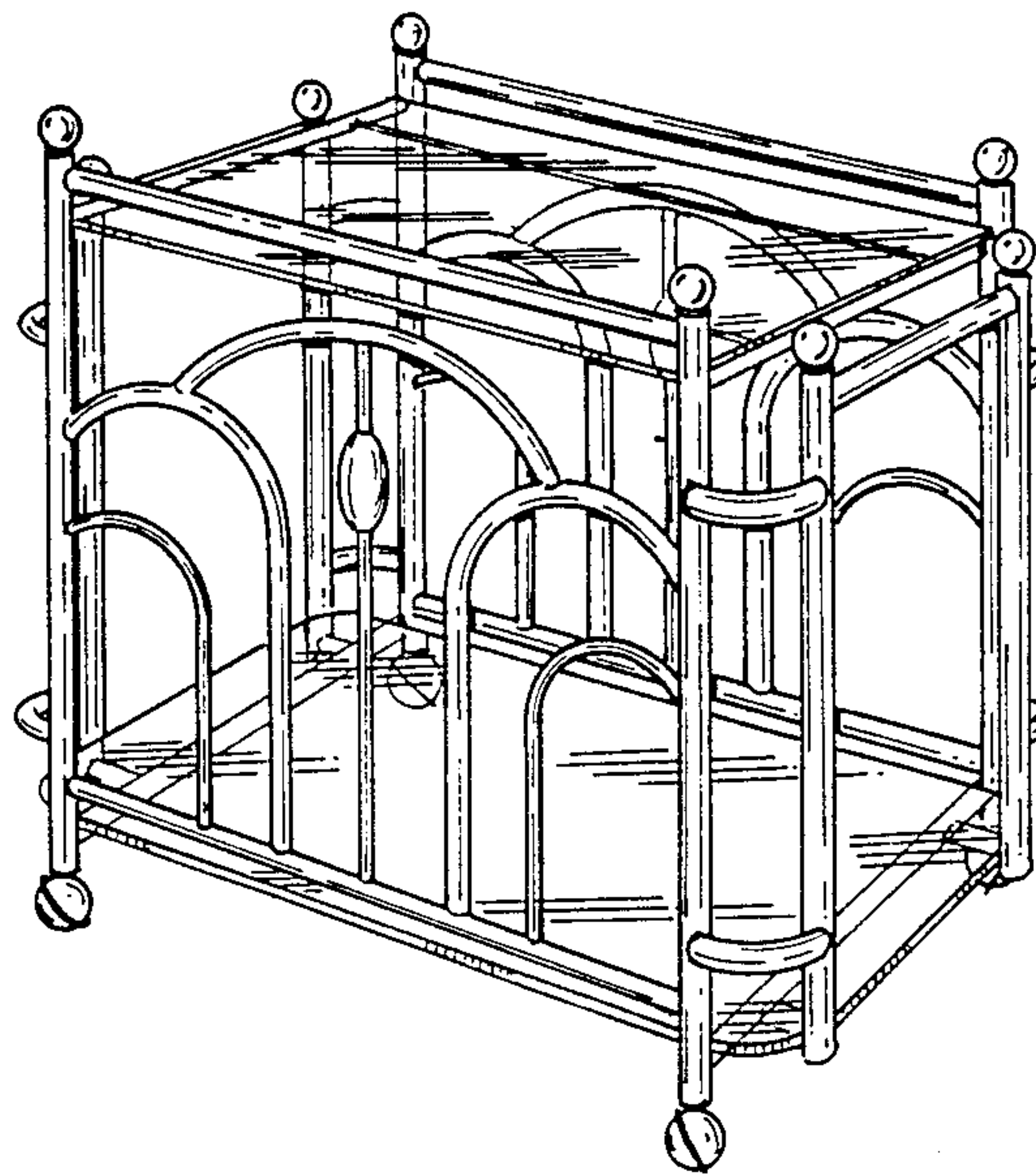
FIG. 1 is a front perspective view of a teacart showing my new design;

FIG. 2 is a front elevational view, the rear being a mirror image thereof;

FIG. 3 is a top plan view thereof;

FIG. 4 is a right side elevational view, the left side being a mirror image thereof; and

FIG. 5 is a front elevational view of a second embodiment of the teacart shown in FIG. 1.



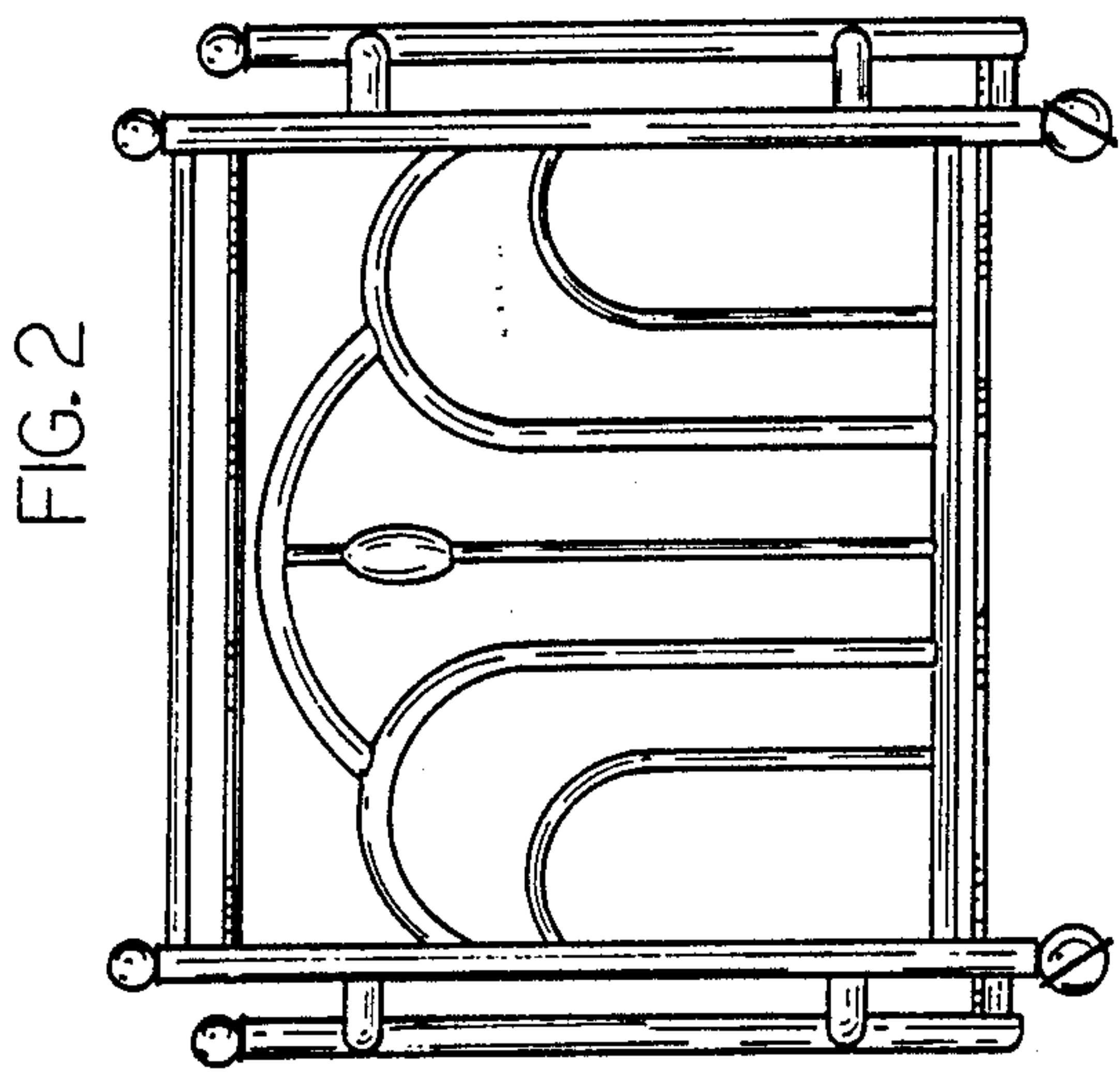


FIG. 2

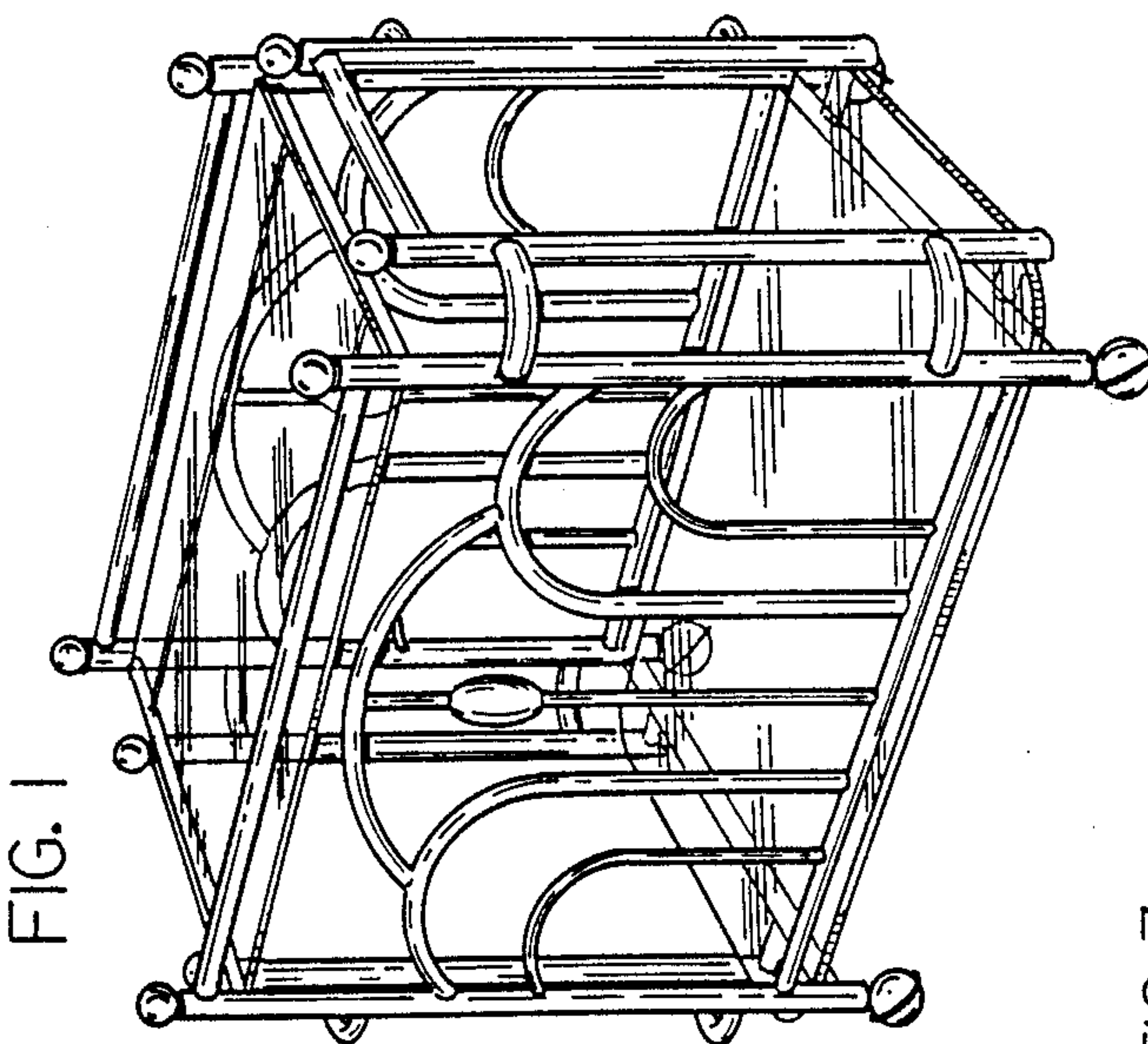


FIG. 1

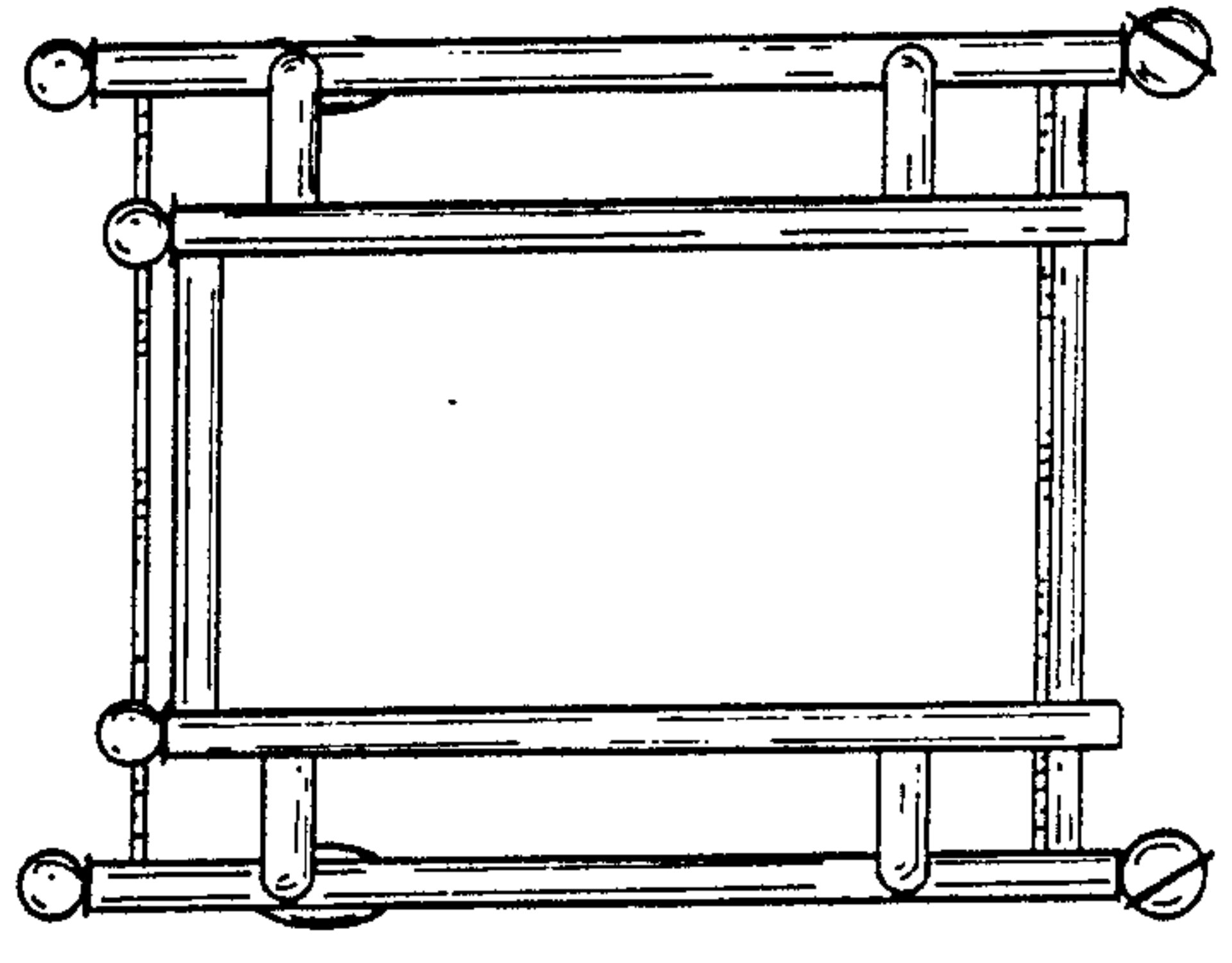


FIG. 4

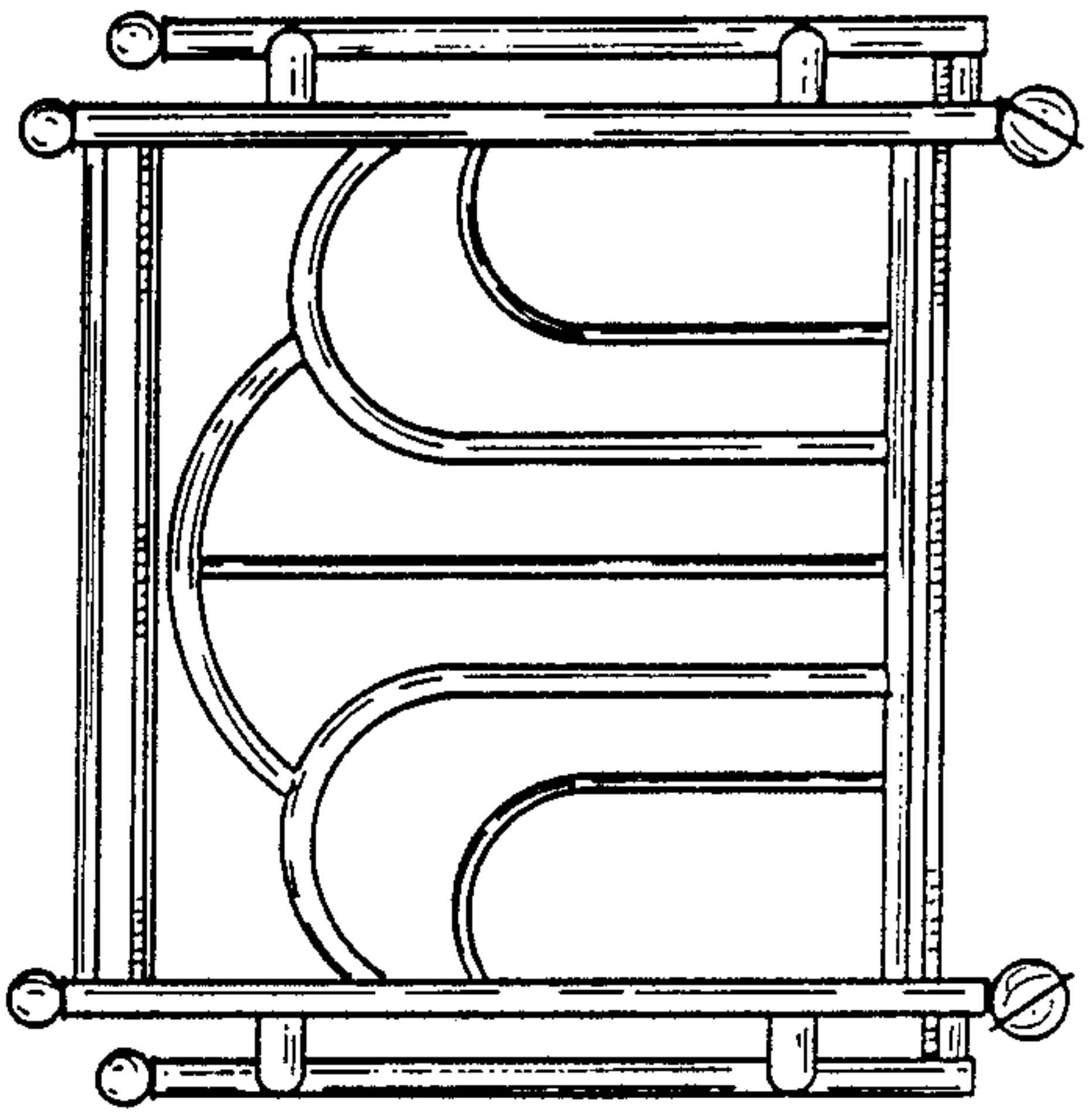


FIG. 5

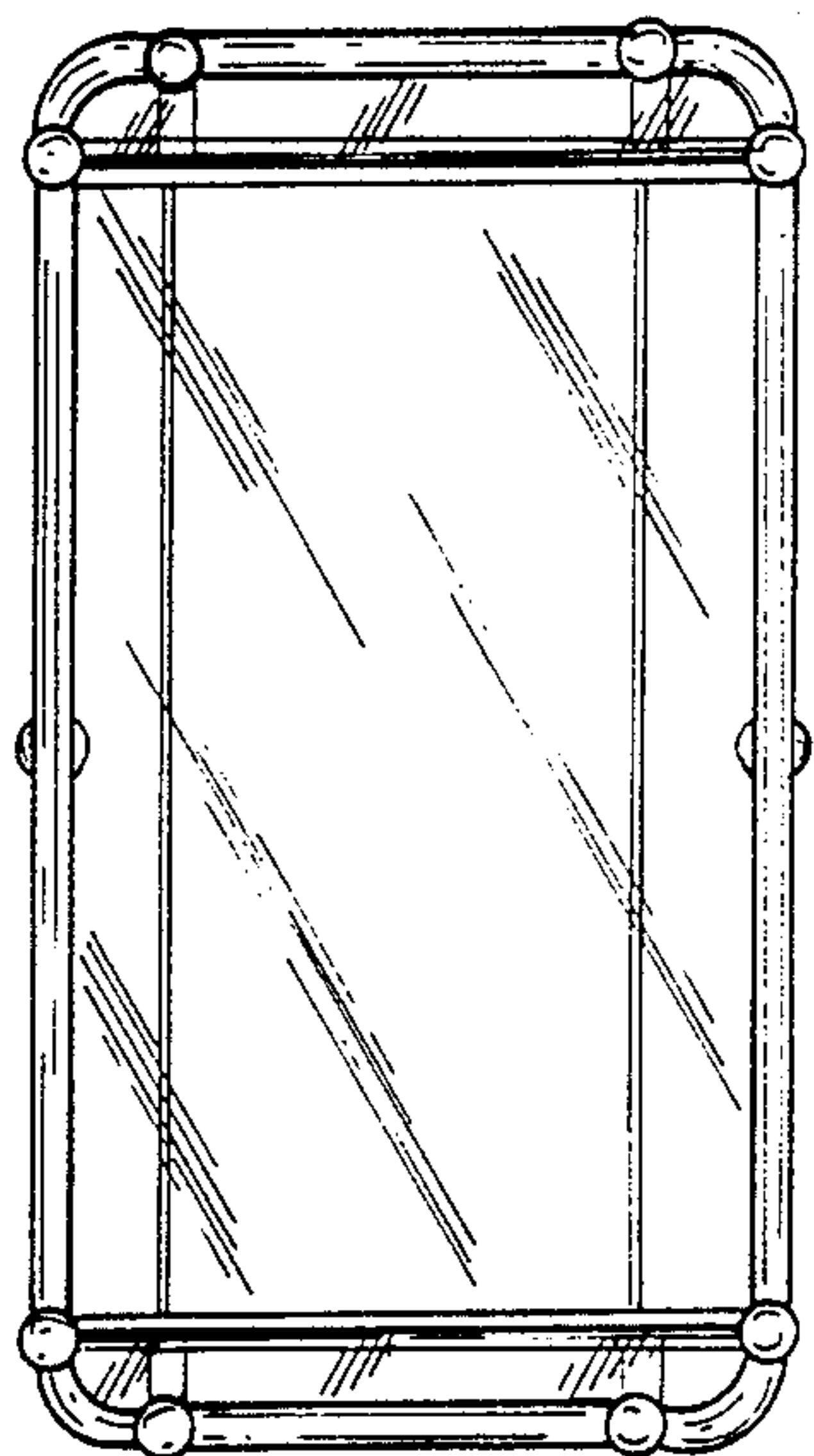


FIG. 3