

[54] ADJUSTABLE WORK HOLDER FOR ATTACHMENT TO AN EASEL OR SIMILAR ARTICLE

Primary Examiner—Winifred E. Herrmann  
Assistant Examiner—John Warchol  
Attorney, Agent, or Firm—Shlesinger & Myers

[76] Inventors: Sidney E. Speed, 424 Fairway Rd., Aiken, S.C. 29801; Francis A. Christina, 2506 Bridle Path, Austin, Tex. 78703

[57] CLAIM

The ornamental design for adjustable work holder for attachment to an easel or similar article, as shown and described.

[\*\*] Term: 14 Years

DESCRIPTION

[21] Appl. No.: 98,131

FIG. 1 is a top, front and right end perspective view of an adjustable work holder for attachment to an easel or similar article showing our new design; the broken line showing of a drawing board is illustrative of environmental structure only and forms no part of the claimed design;

[22] Filed: Sep. 18, 1987

[52] U.S. Cl. .... D6/418; D6/300; D6/491; D8/71

FIG. 2 is a front elevational view thereof on an enlarged scale;

[58] Field of Search ..... D8/71-74; 248/298, 449, 451; D6/418, 400, 491, 300, 310, 311, 312

FIG. 3 is a top plan view thereof on an enlarged scale, the bottom is a mirror image thereof;

[56] References Cited

U.S. PATENT DOCUMENTS

|            |        |                      |           |
|------------|--------|----------------------|-----------|
| D. 256,216 | 8/1980 | Van Horn et al. .... | D8/71     |
| D. 296,160 | 6/1988 | Rhodes .....         | D6/300    |
| 3,231,230  | 1/1966 | Mueller .....        | 248/449   |
| 3,738,606  | 6/1973 | Millen .....         | 248/449   |
| 4,568,052  | 2/1986 | Solomon .....        | 248/281.1 |
| 4,690,363  | 9/1987 | Koves .....          | 248/449   |

FIG. 4 is a right end elevational view thereof on an enlarged scale, the left end is a mirror image thereof; and

FIG. 5 is a rear elevational view thereof on an enlarged scale.

Portions of the adjustable work holder for attachment to an easel or similar article have been broken away in FIGS. 2, 3 and 5 for ease of illustration.

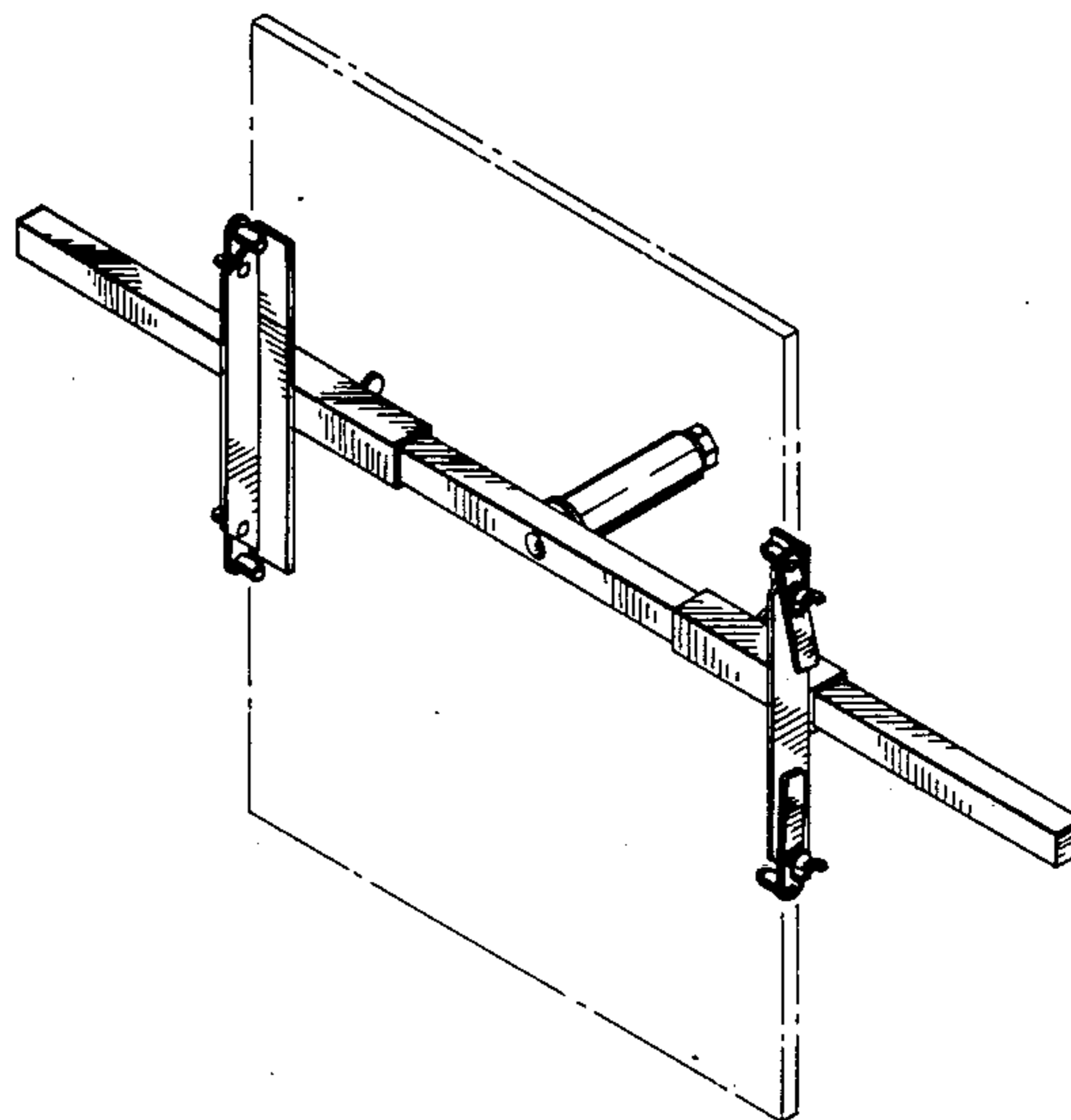


FIG 1

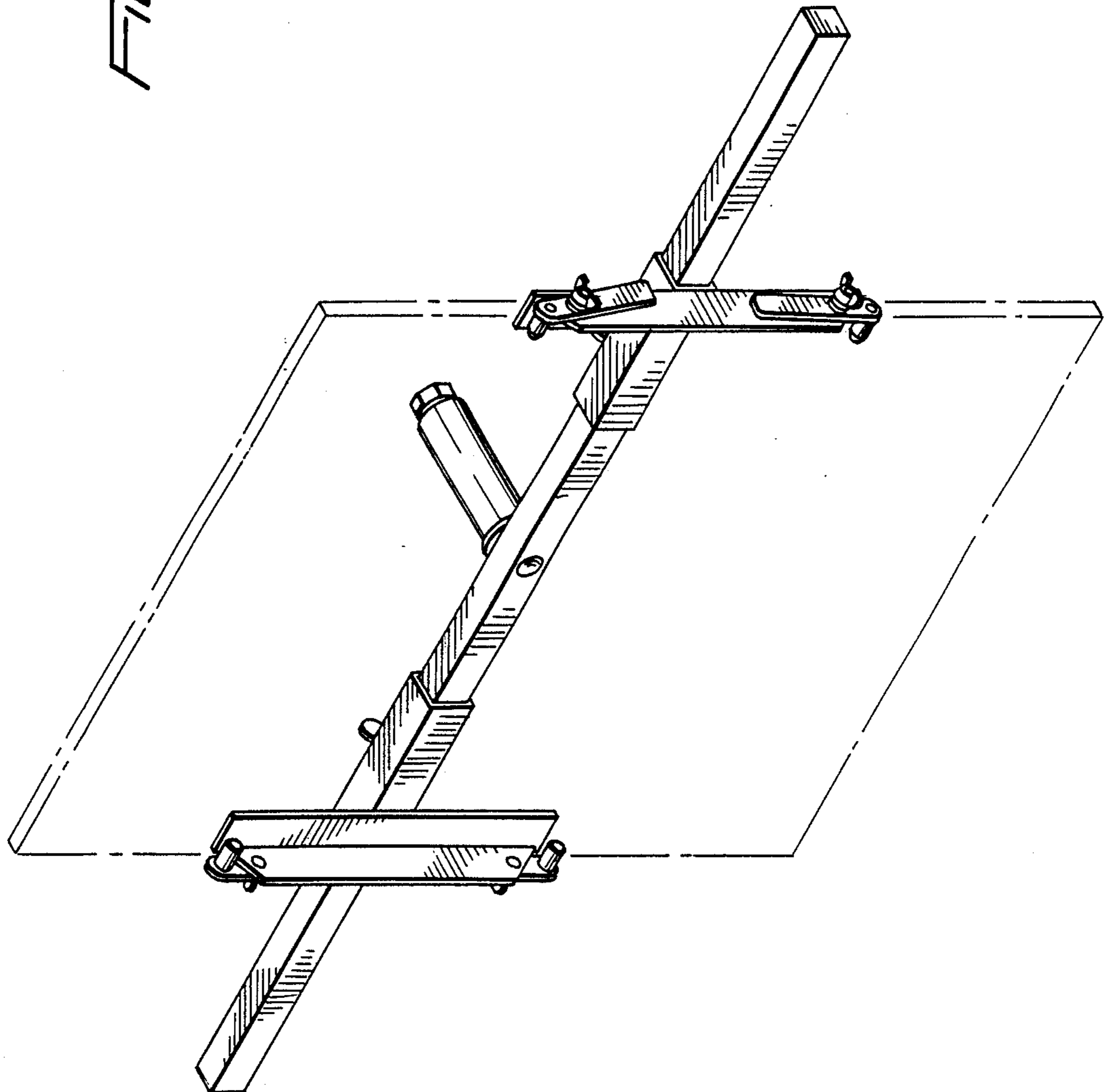


FIG 2

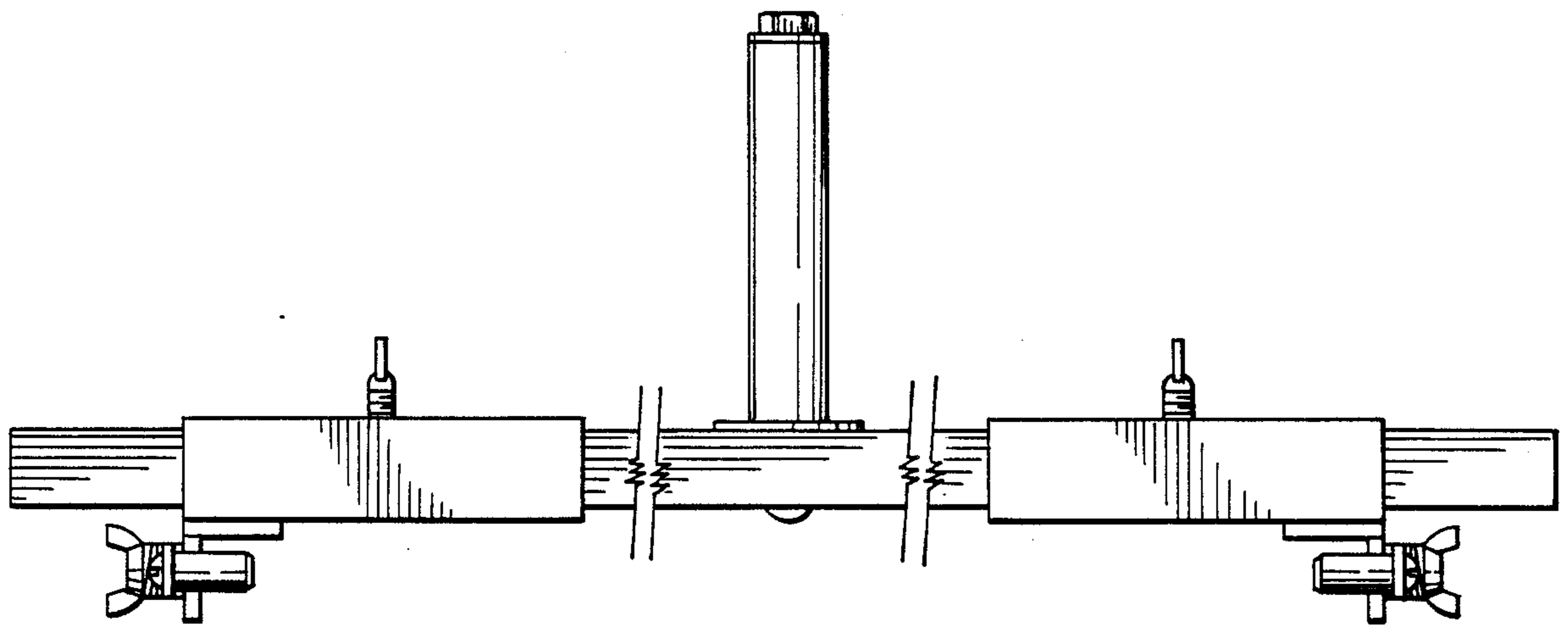
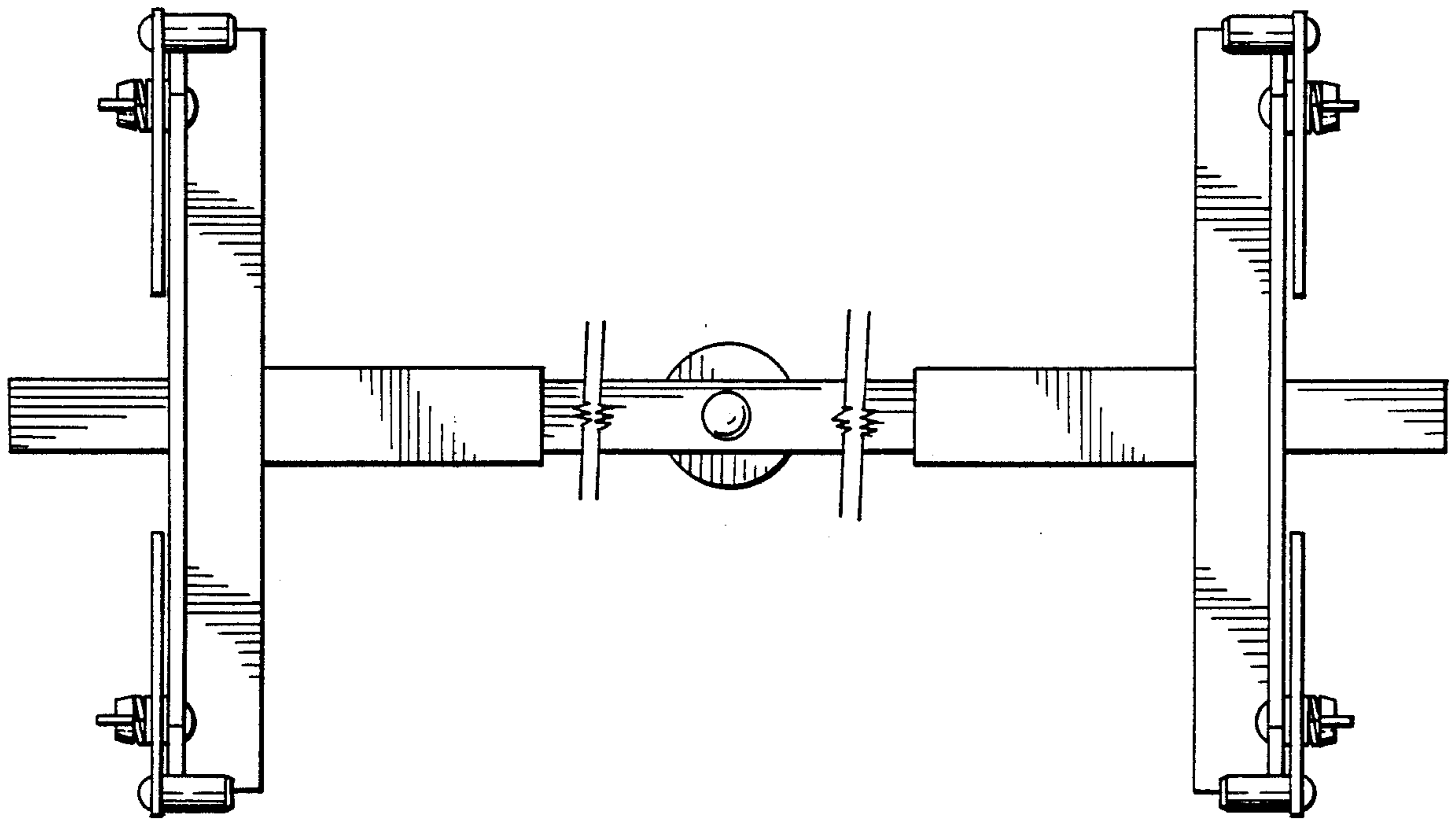


FIG 3

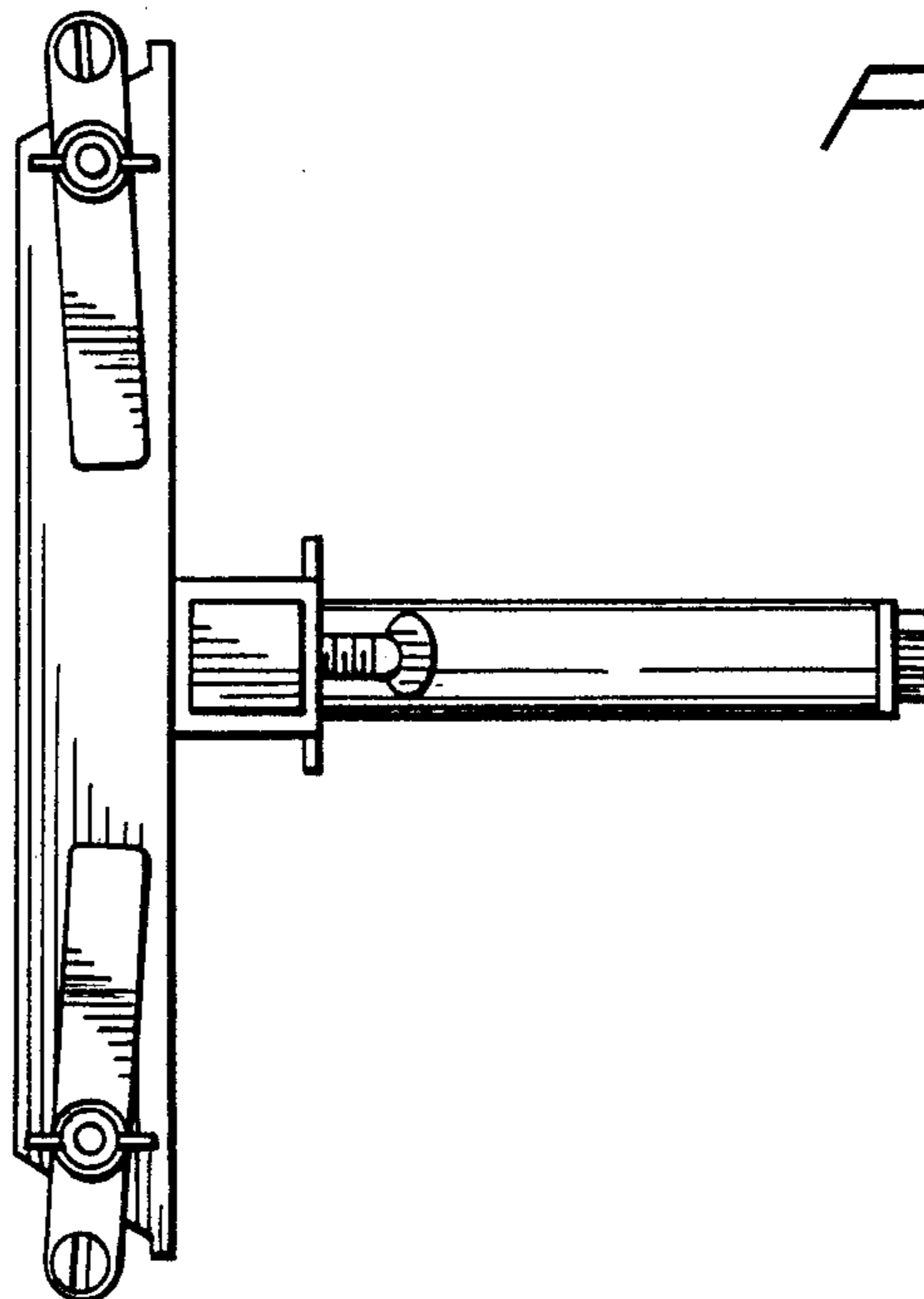


FIG 4

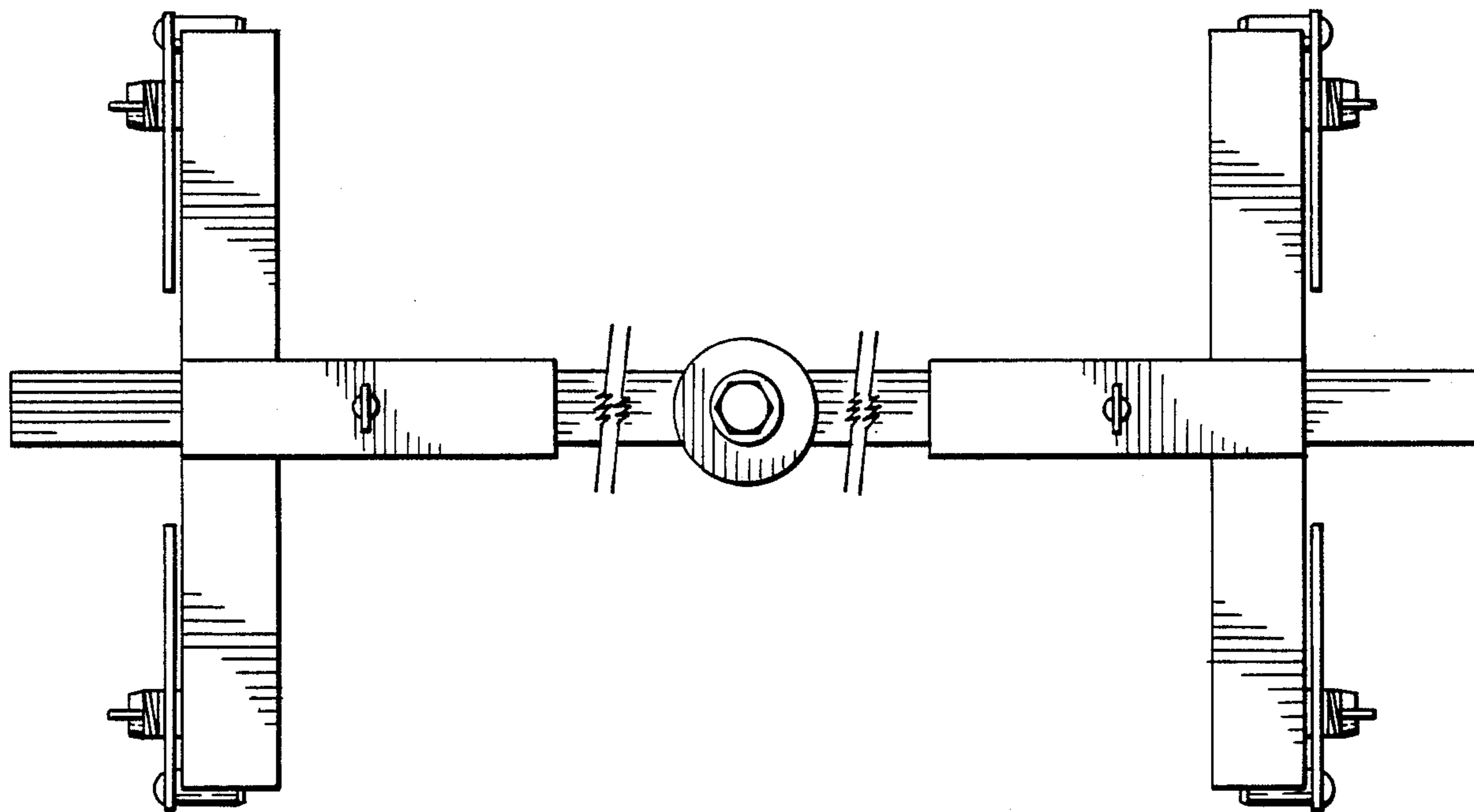


FIG 5