

[54] COMBINED TABLE AND LAMP

D. 126,780 4/1941 Crowley ..... D6/399 X  
D. 155,284 9/1949 Gershun ..... D6/399 X  
D. 181,139 10/1957 Giardino ..... D6/399 X

[75] Inventor: Peter M. Y. Kee, Happy Valley,  
Hong Kong

OTHER PUBLICATIONS

[73] Assignee: Rosalco, Inc., Louisville, Ky.

Ficks Reed Co. Catalog, #5791; p. 4.  
Ficks Reed Co. Catalog, ©1978.

[\*\*] Term: 14 Years

Primary Examiner—Bruce W. Dunkins  
Assistant Examiner—Jeffrey Asch  
Attorney, Agent, or Firm—Rhodes, Coats & Bennett

[21] Appl. No.: 429,186

[22] Filed: Oct. 30, 1989

[57] CLAIM

Related U.S. Application Data

The ornamental design for a combined table and lamp,  
as shown and described.

[62] Division of Ser. No. 295,566, Jan. 10, 1989.

[52] U.S. Cl. .... D6/399; D26/58

[58] Field of Search ..... D6/397, 399; D26/58;  
211/182

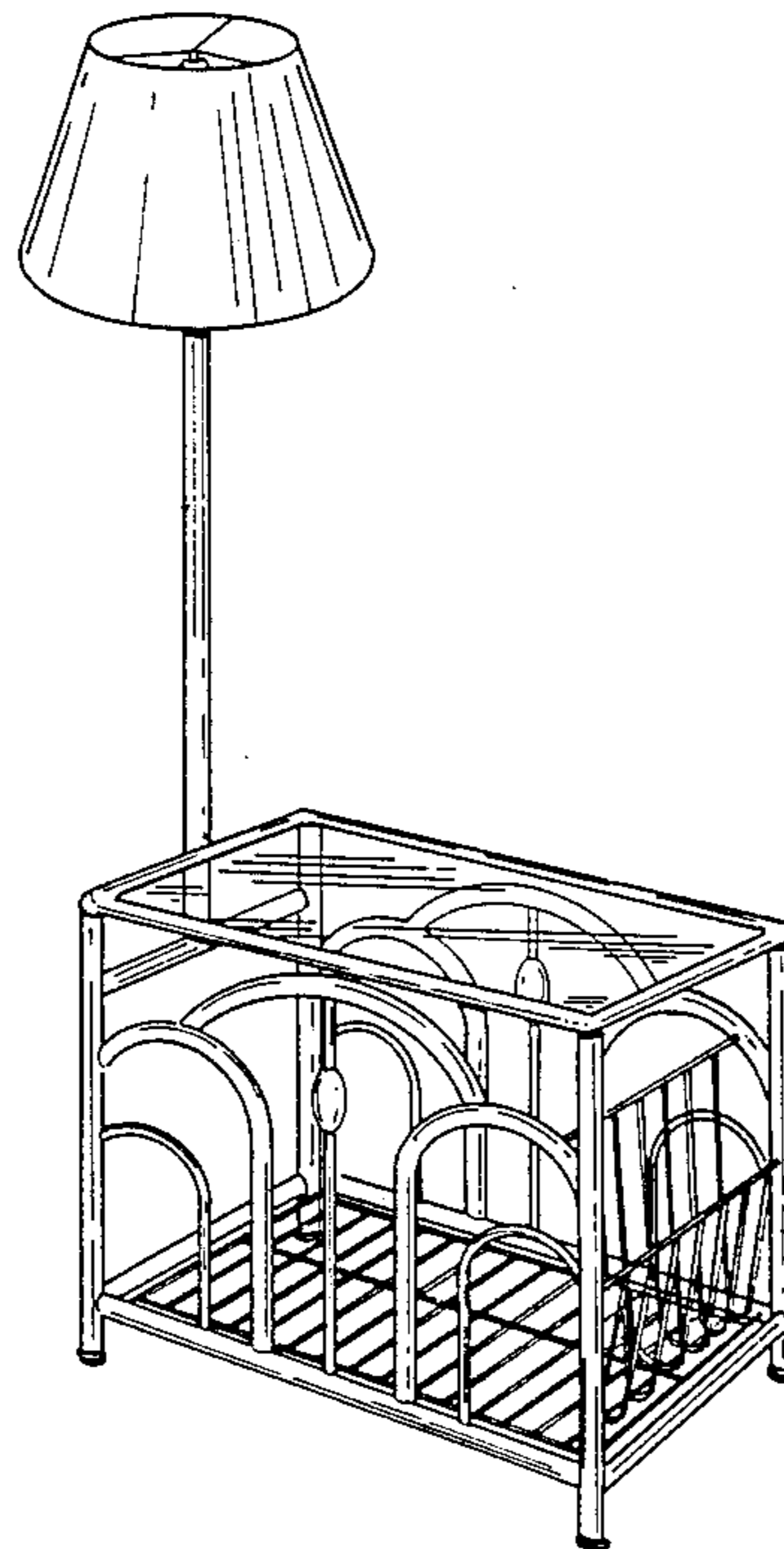
DESCRIPTION

FIG. 1 is a front perspective view of a combined table  
and lamp showing my new design;  
FIG. 2 is a rear perspective view of the combined table  
and lamp of FIG. 1; and  
FIG. 3 is a front elevational view of the combined table  
and lamp of FIG. 1.

[56] References Cited

U.S. PATENT DOCUMENTS

D. 125,948 3/1941 Crowley ..... D6/399 X



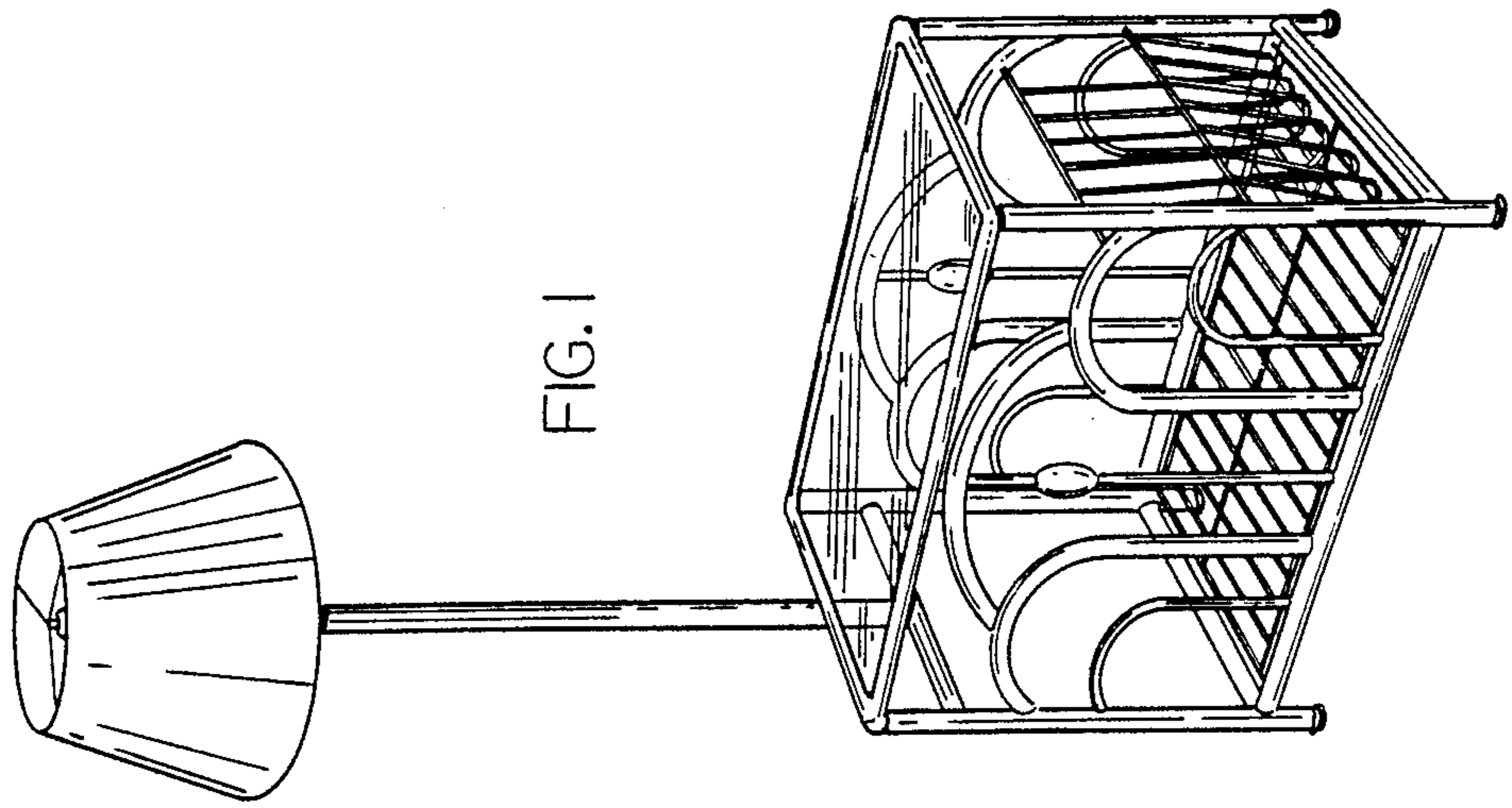


FIG. 1

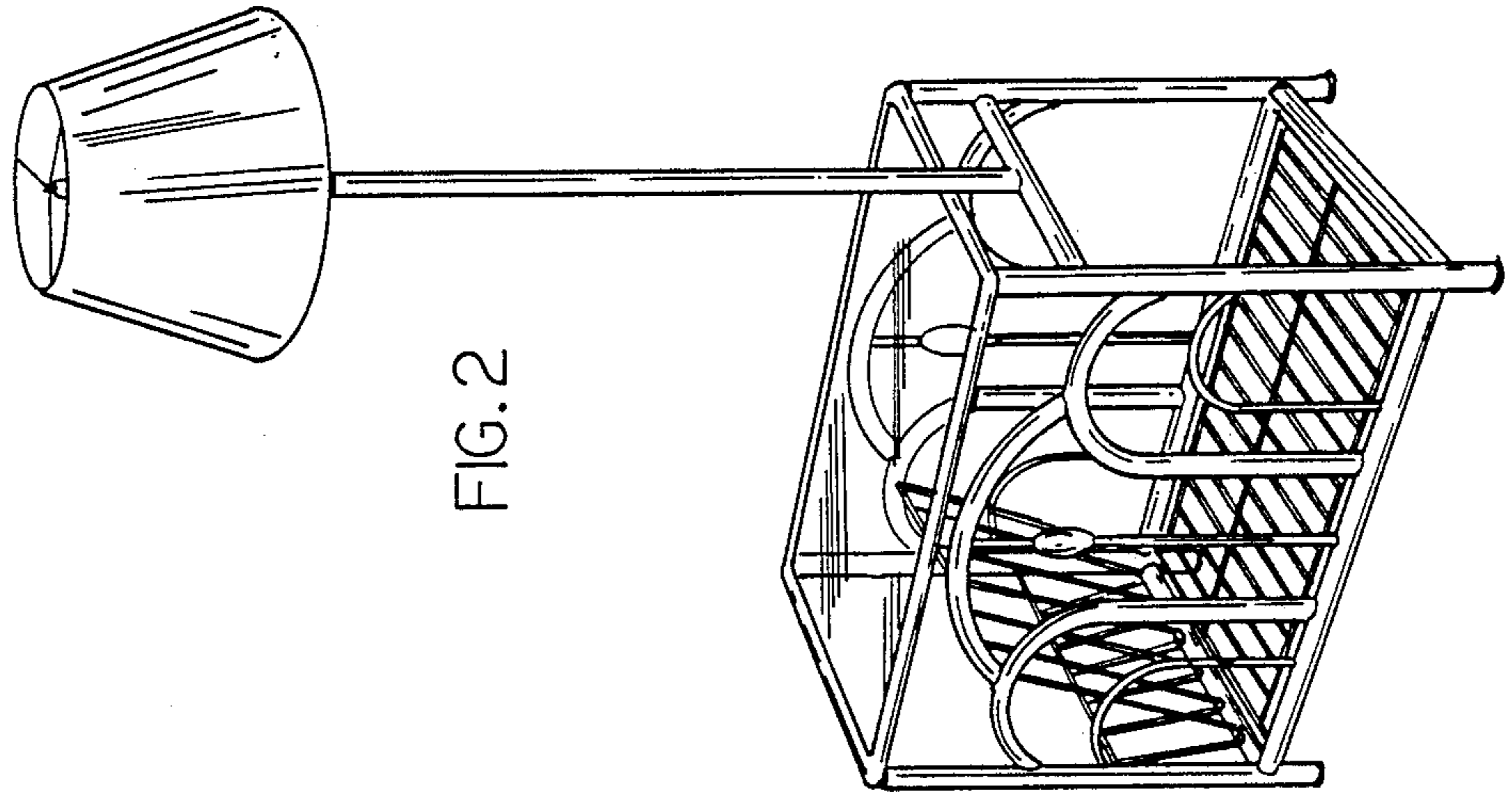


FIG. 2

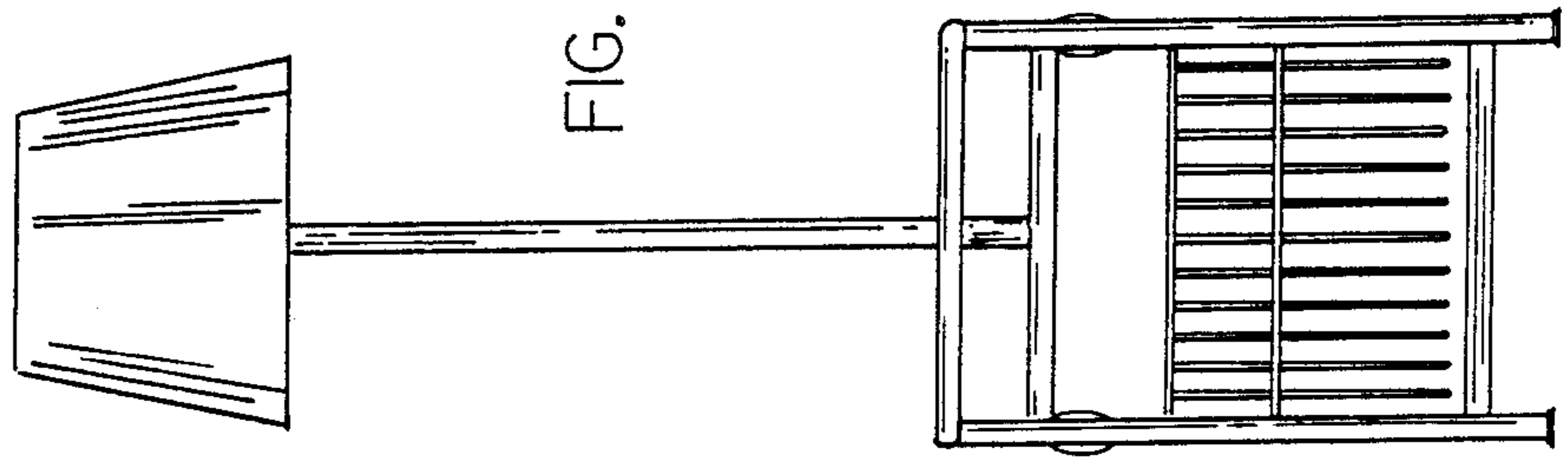


FIG. 3