

[54] SEAT

[76] Inventors: Gregory J. Synarski, 2740 W. Coolidge, Phoenix, Ariz. 85017; Linda Carlson, 16621 N. 25th St. #12, Phoenix, Ariz. 85032

[**] Term: 14 Years

[21] Appl. No.: 87,452

[22] Filed: Aug. 20, 1987

[52] U.S. Cl. D6/336

[58] Field of Search D6/336, 371

[56] References Cited

U.S. PATENT DOCUMENTS

D. 181,640	12/1957	Cohen	D6/336
D. 219,143	11/1970	Chapin	D6/336
D. 221,644	8/1971	Bayes	D6/371
D. 256,297	8/1980	Gera	D6/336

OTHER PUBLICATIONS

Patterson Furn. Co. Catalog, Sofa No. 155.

Craft Associates Inc. Catalog Sofa No. 3241.

Primary Examiner—Bruce W. Dunkins
Assistant Examiner—Jeffry Musgrove
Attorney, Agent, or Firm—Gregory J. Nelson

[57] CLAIM

The ornamental design for a seat, as shown and described.

DESCRIPTION

FIG. 1 is a front perspective view of a seat showing our new design in the form of a sofa;
FIG. 2 is an end view thereof;
FIG. 3 is a top view thereof;
FIG. 4 is a bottom view thereof;
FIG. 5 is a rear view thereof;
FIG. 6 is a front perspective view of a seat showing our design in the form of a love seat;
FIG. 7 is an end view thereof;
FIG. 8 is a top view thereof;
FIG. 9 is a bottom view thereof; and
FIG. 10 is a rear view thereof.

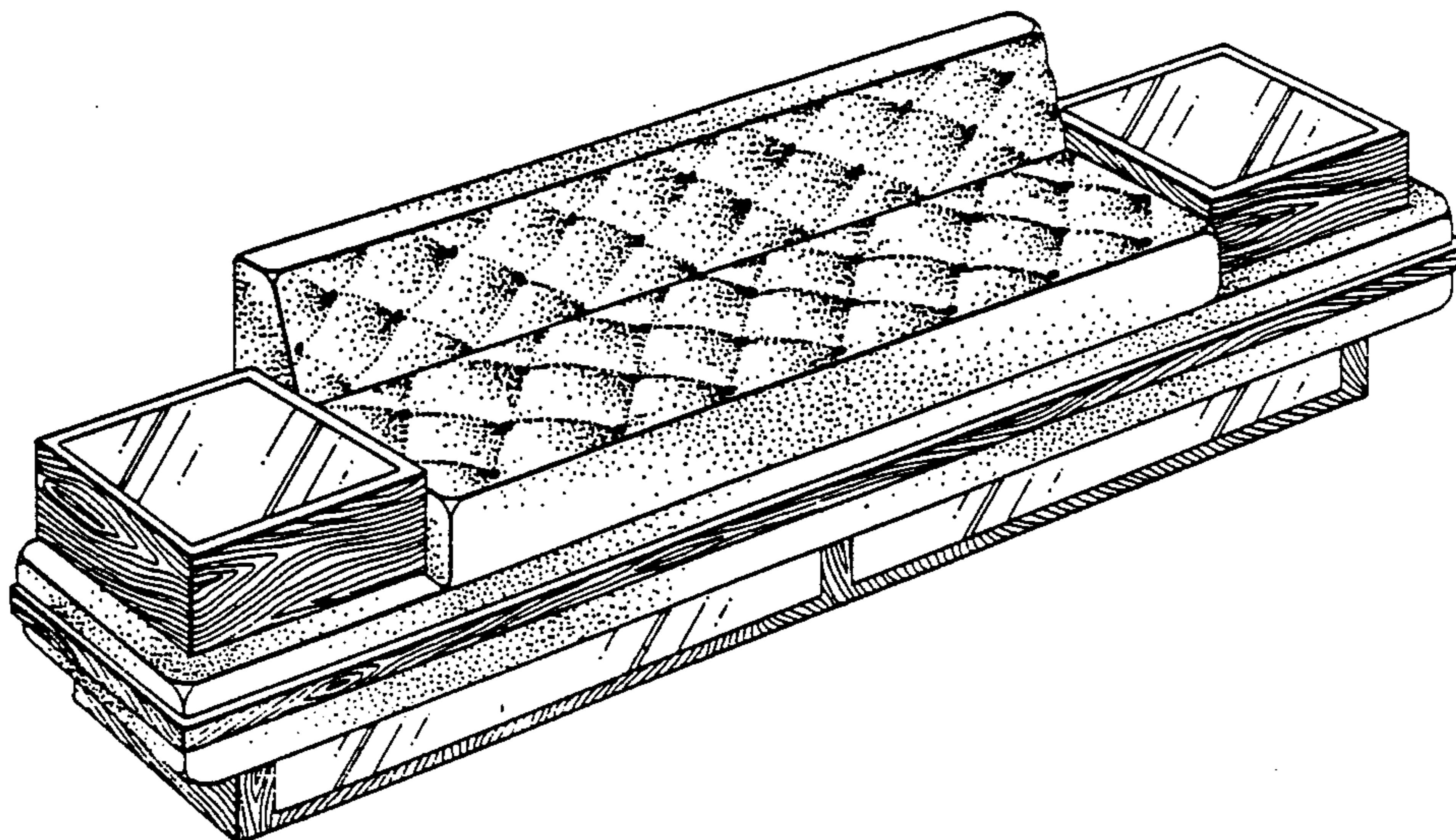


FIG. 1

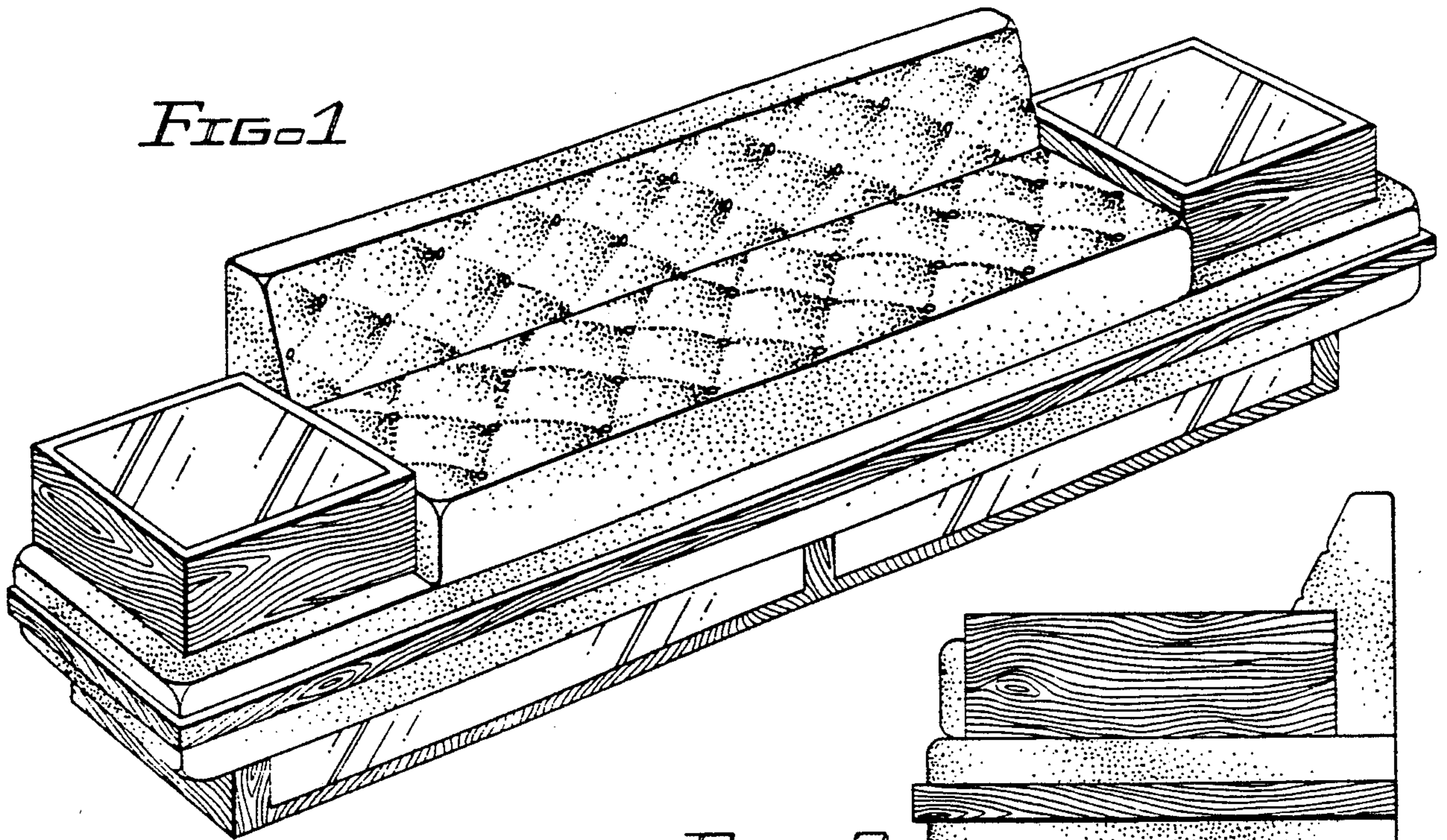


FIG. 2

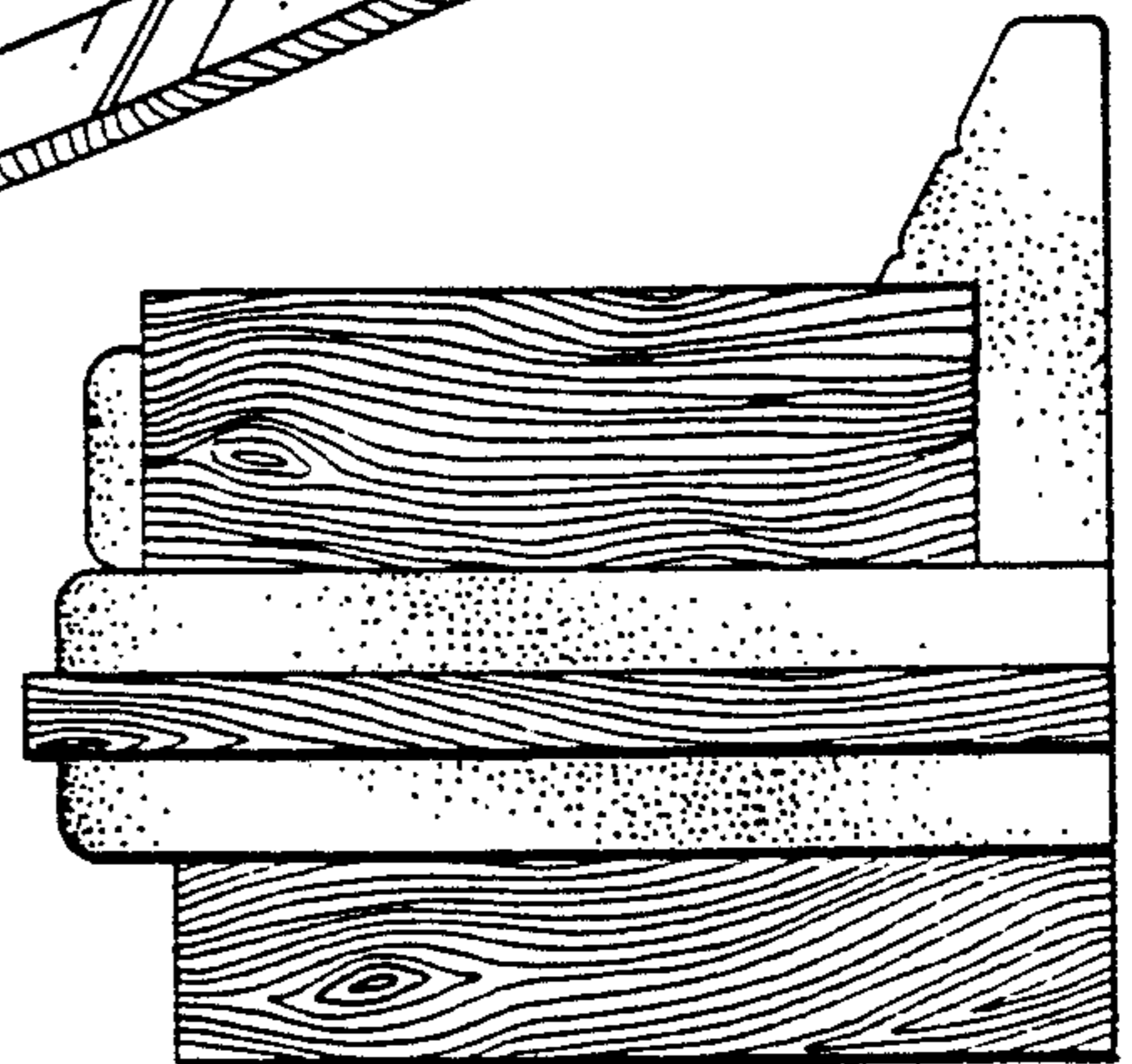


FIG. 3

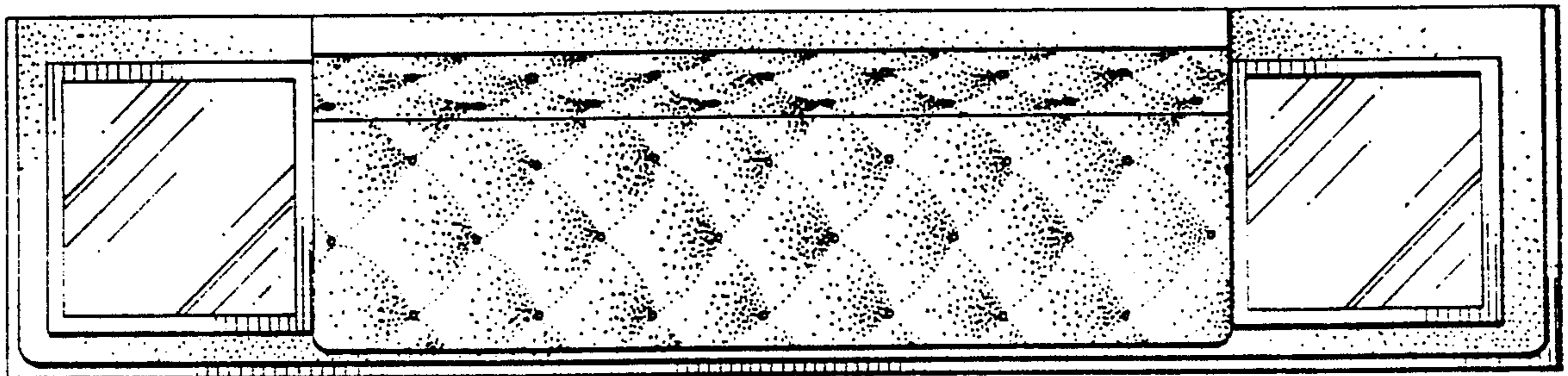


FIG. 4

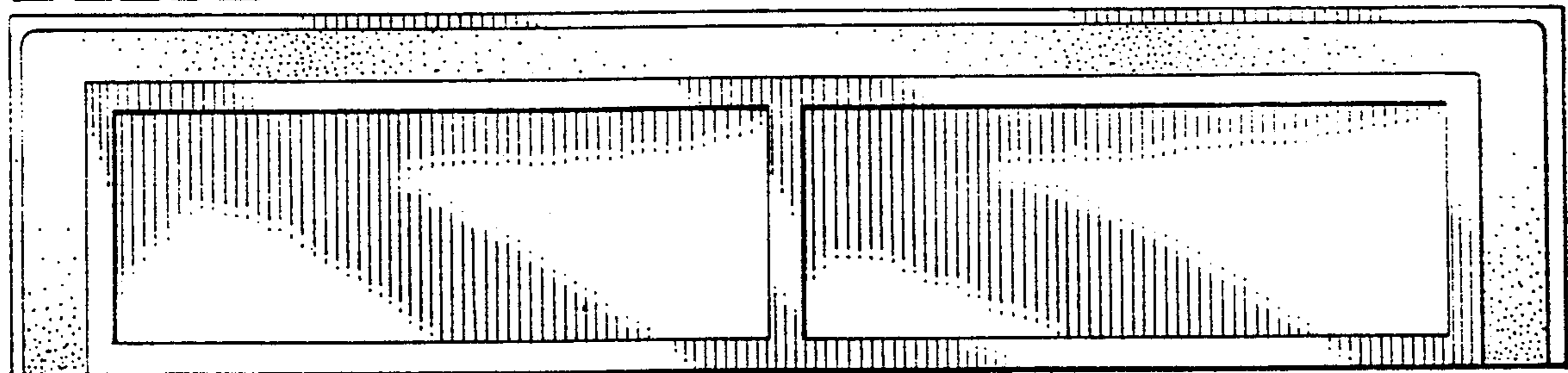


FIG. 5

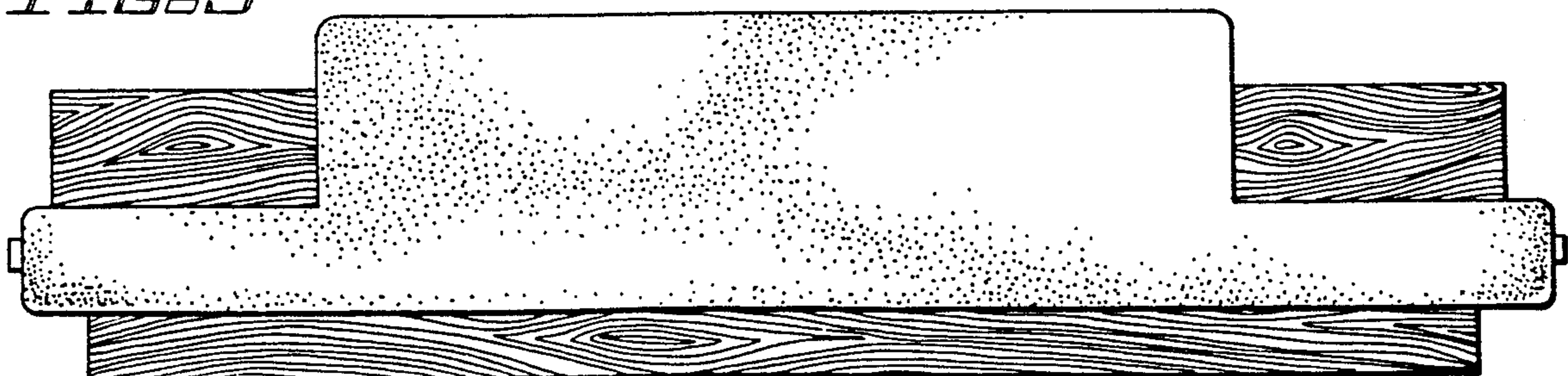


FIG. 6

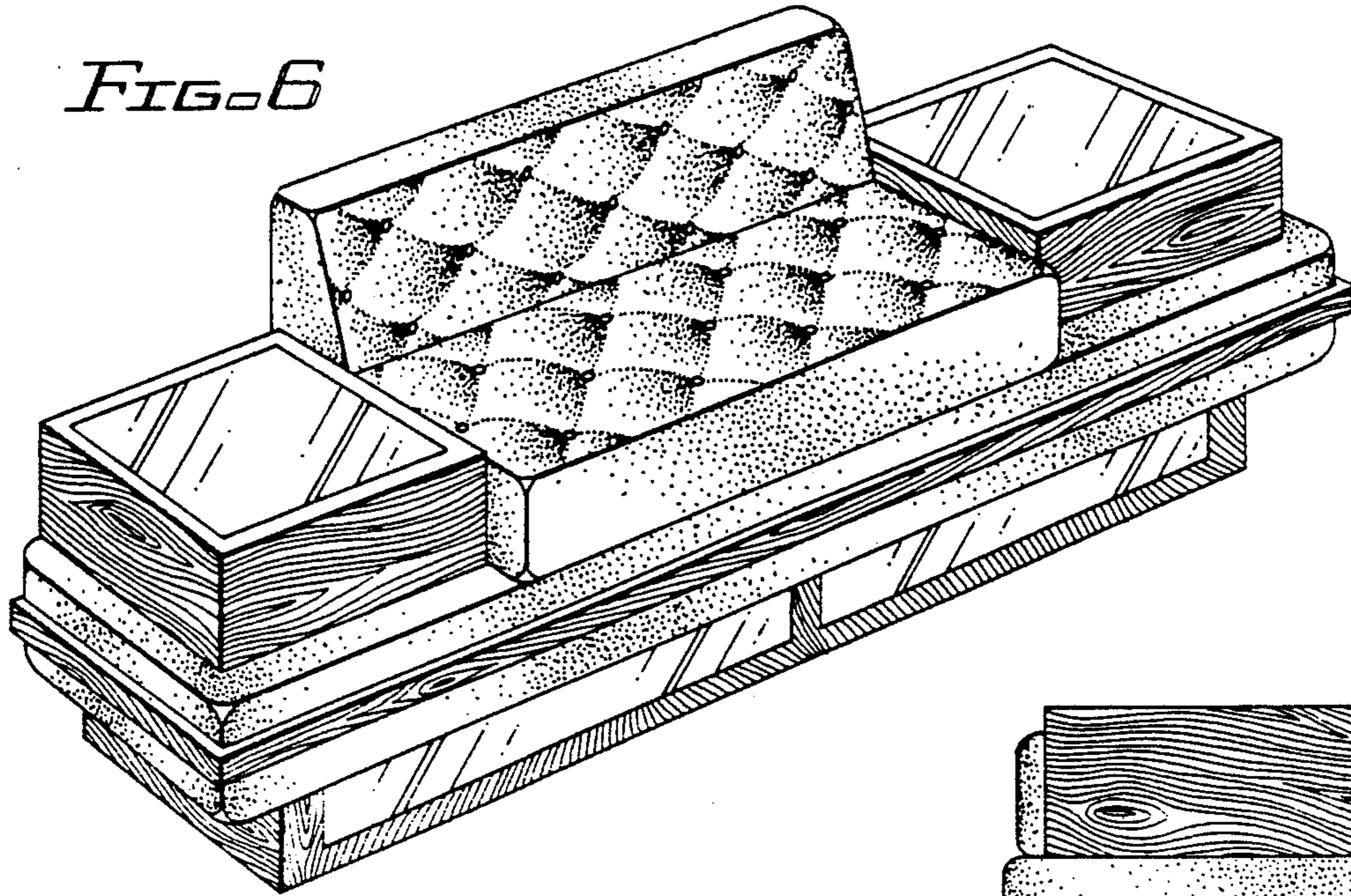


FIG. 7

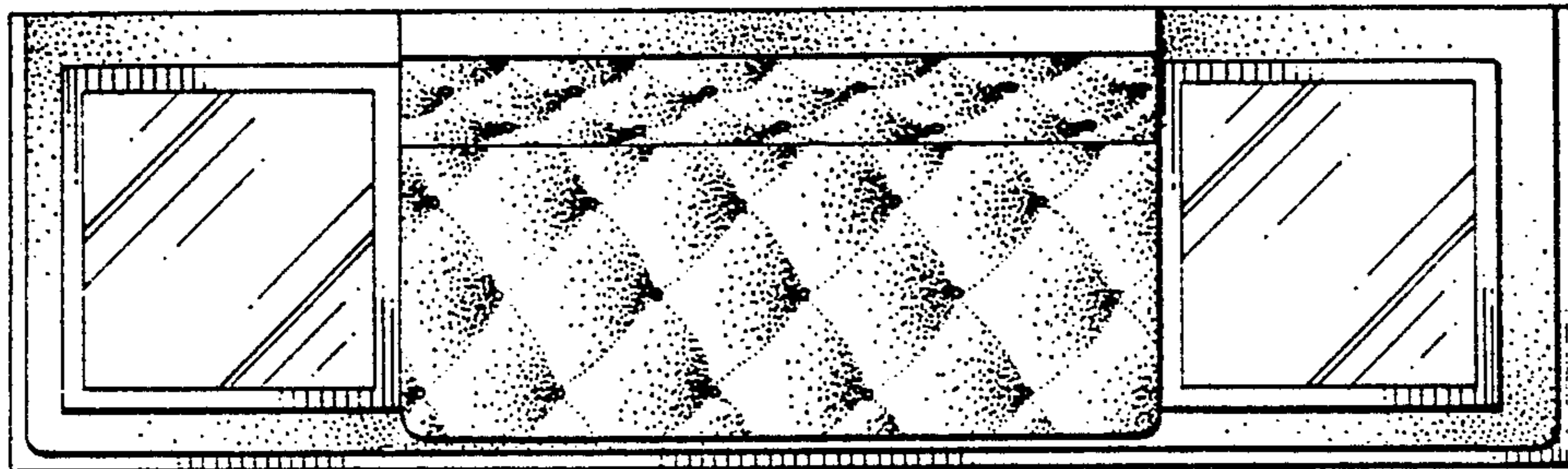
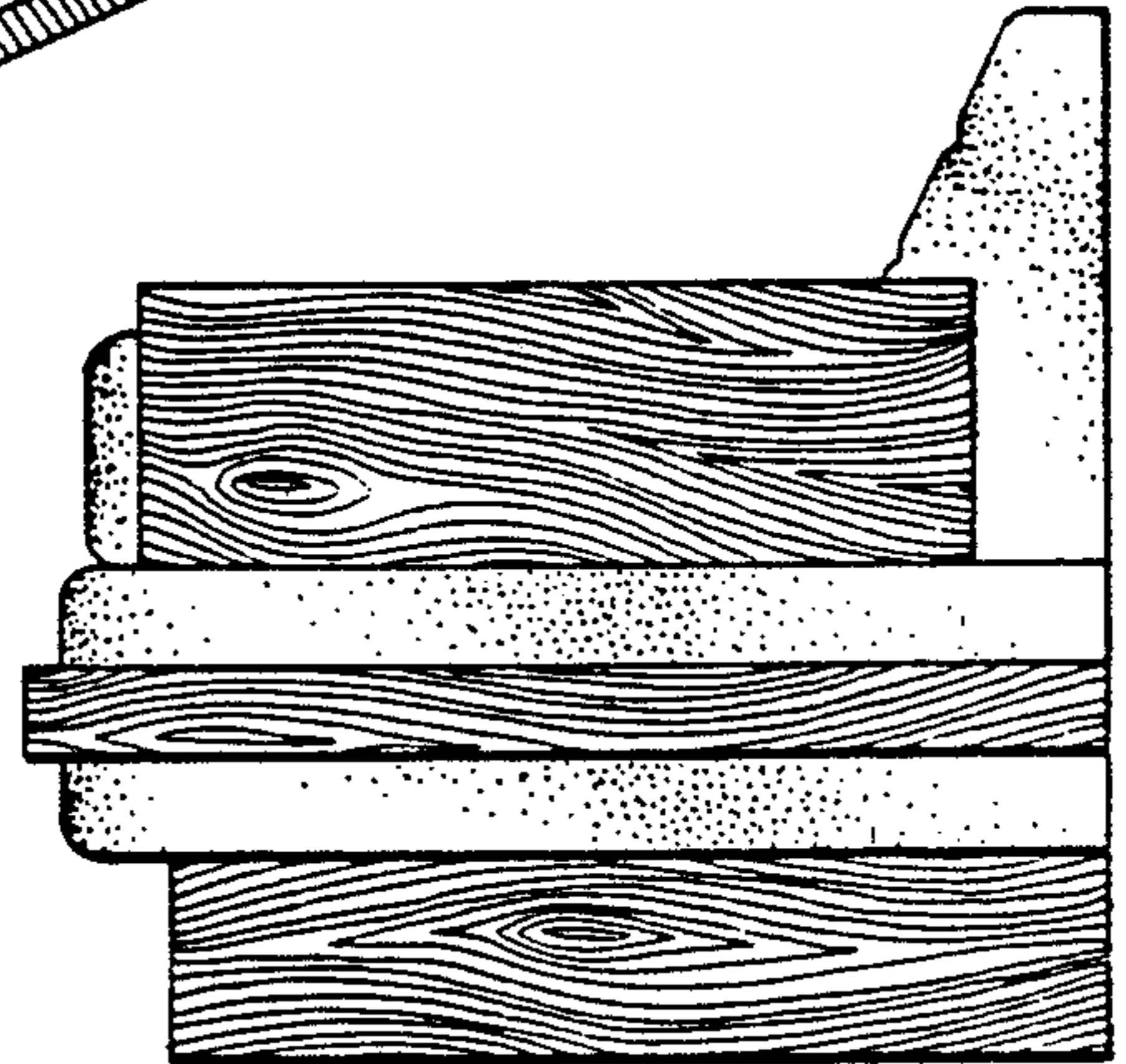


FIG. 8

FIG. 9

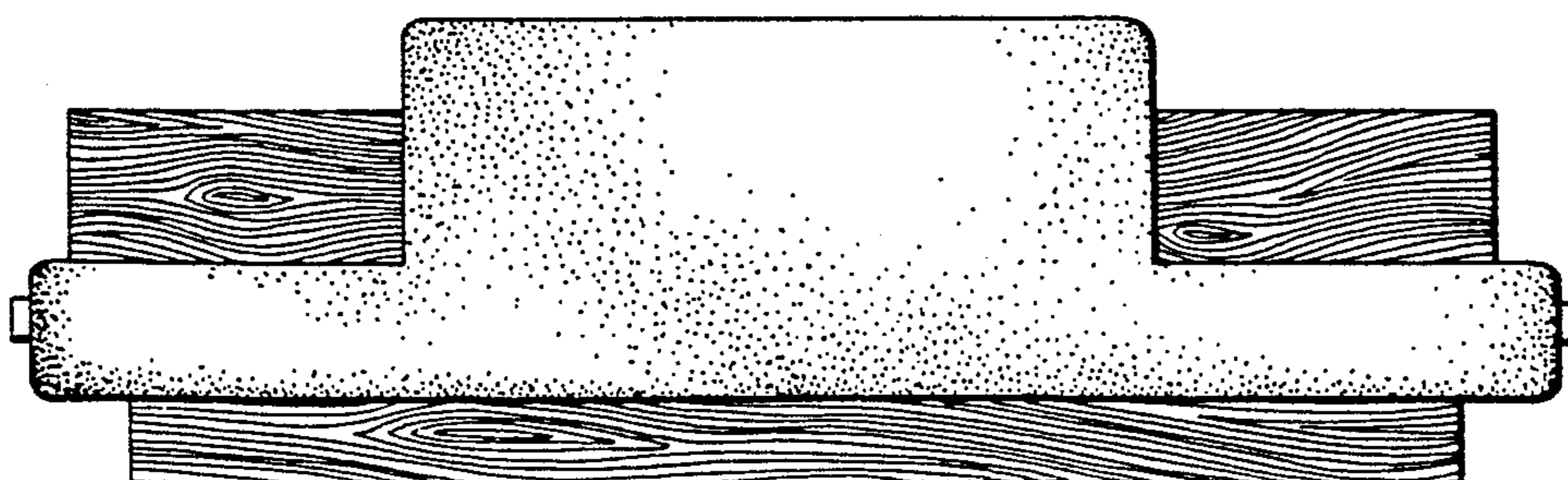
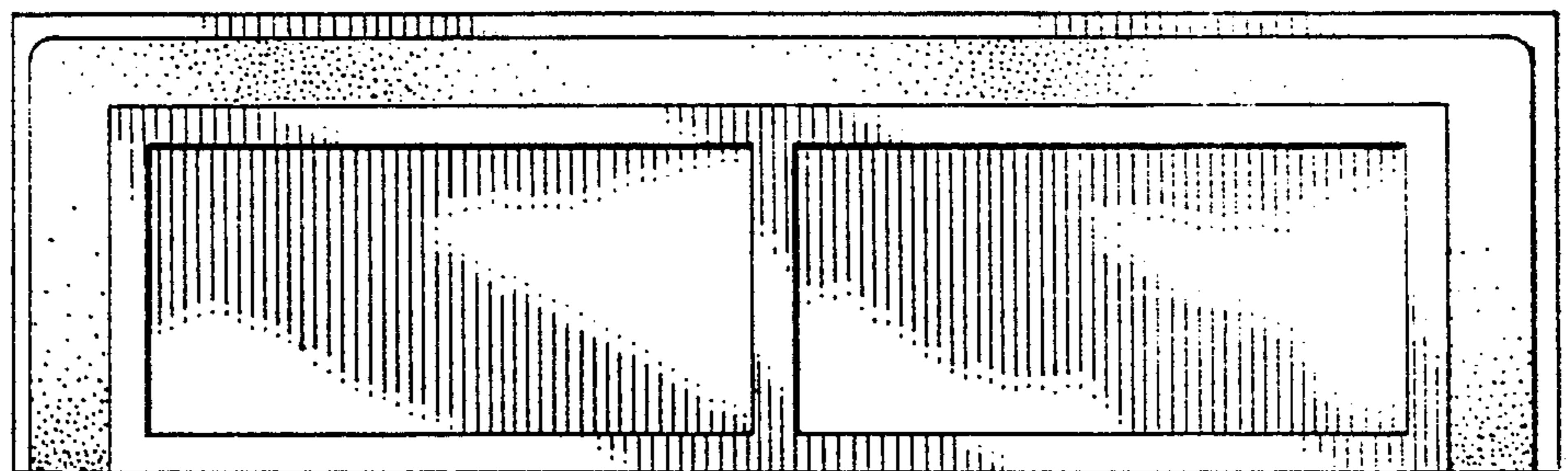


FIG. 10