

[54] COMBINATION FOLDABLE SEAT AND CONTAINER

[75] Inventors: Larry D. Smith, Oak Grove; Robert G. Tanner, St. Charles, both of Mo.

[73] Assignee: Action Products Co., Inc., Odessa, Mo.

[**] Term: 14 Years

[21] Appl. No.: 59,320

[22] Filed: Jun. 8, 1987

[52] U.S. Cl. D6/336; D6/367

[58] Field of Search D6/335, 336, 368, 502; D3/30.1, 32, 78

[56] References Cited

U.S. PATENT DOCUMENTS

D. 197,558	2/1964	Sokolis	D6/368
D. 200,309	2/1965	Sokolis	D6/336
D. 240,205	6/1976	Visser et al.	D3/78
D. 256,630	9/1980	Maney	D3/32
D. 261,834	11/1981	Stebbins	D6/336
D.289,108	4/1987	Guibault	D3/30.1

D. 290,797	7/1987	Hartt	D6/502
D. 293,047	12/1987	Highfield	D6/335
D. 293,393	12/1987	Bothun et al.	D6/335
D. 298,186	10/1988	Brannon	D6/336
2,989,115	6/1961	Egles	D6/336
4,146,279	3/1979	Stahel	D6/336

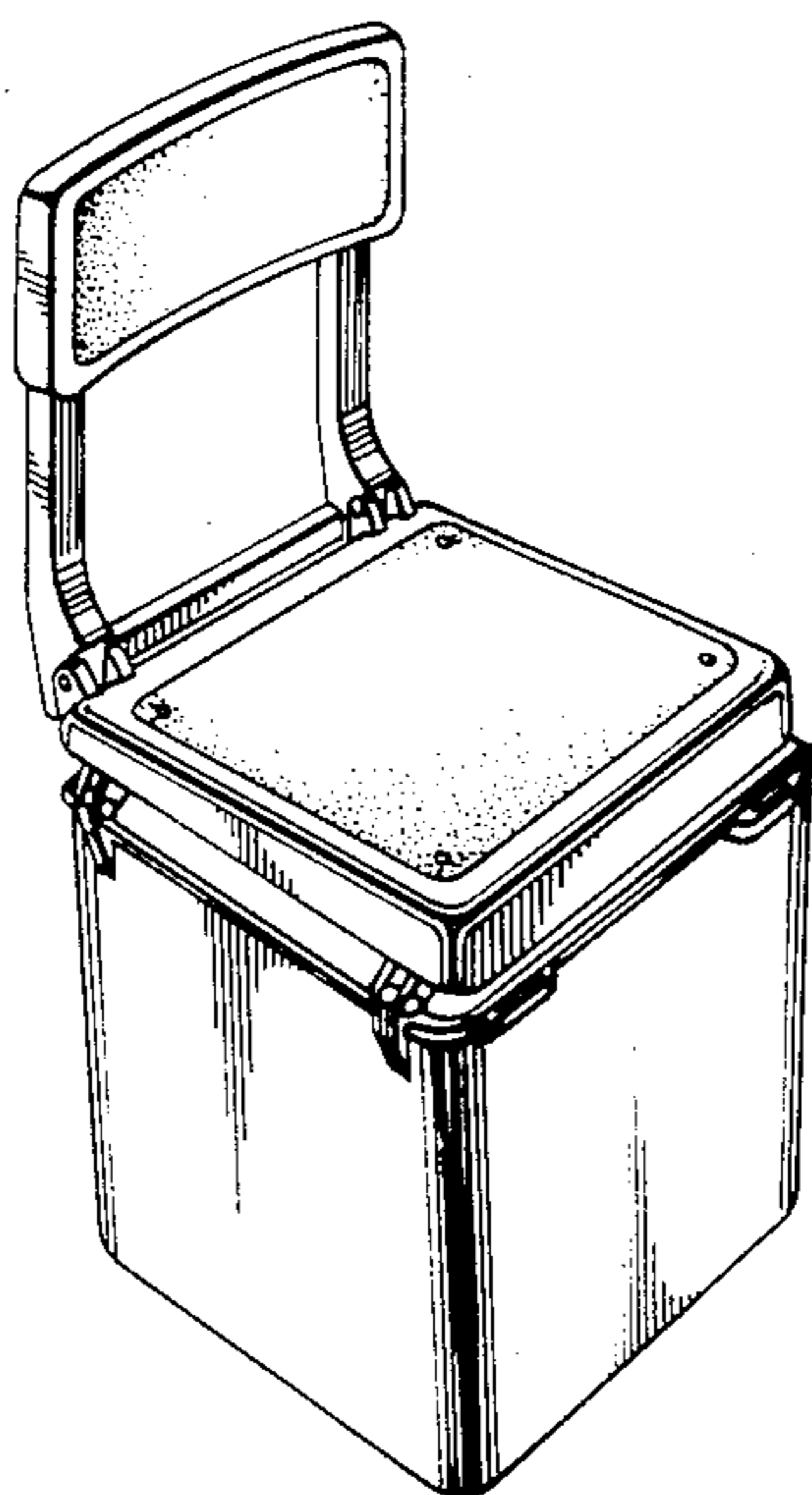
Primary Examiner—Bruce W. Dunkins
Assistant Examiner—Ann Hunt
Attorney, Agent, or Firm—Hovey, Williams, Timmons & Collins

[57] CLAIM

The ornamental design for a combination foldable seat and container, as shown and described.

DESCRIPTION

FIG. 1 is a front perspective view of the combination foldable seat and container showing our new design; FIG. 2 is a side elevational view; FIG. 3 is a side elevational view showing the side opposite to that shown in FIG. 2; FIG. 4 is a top plan view; FIG. 5 is a front elevational view; FIG. 6 is a rear elevational view; and FIG. 7 is a bottom plan view thereof.



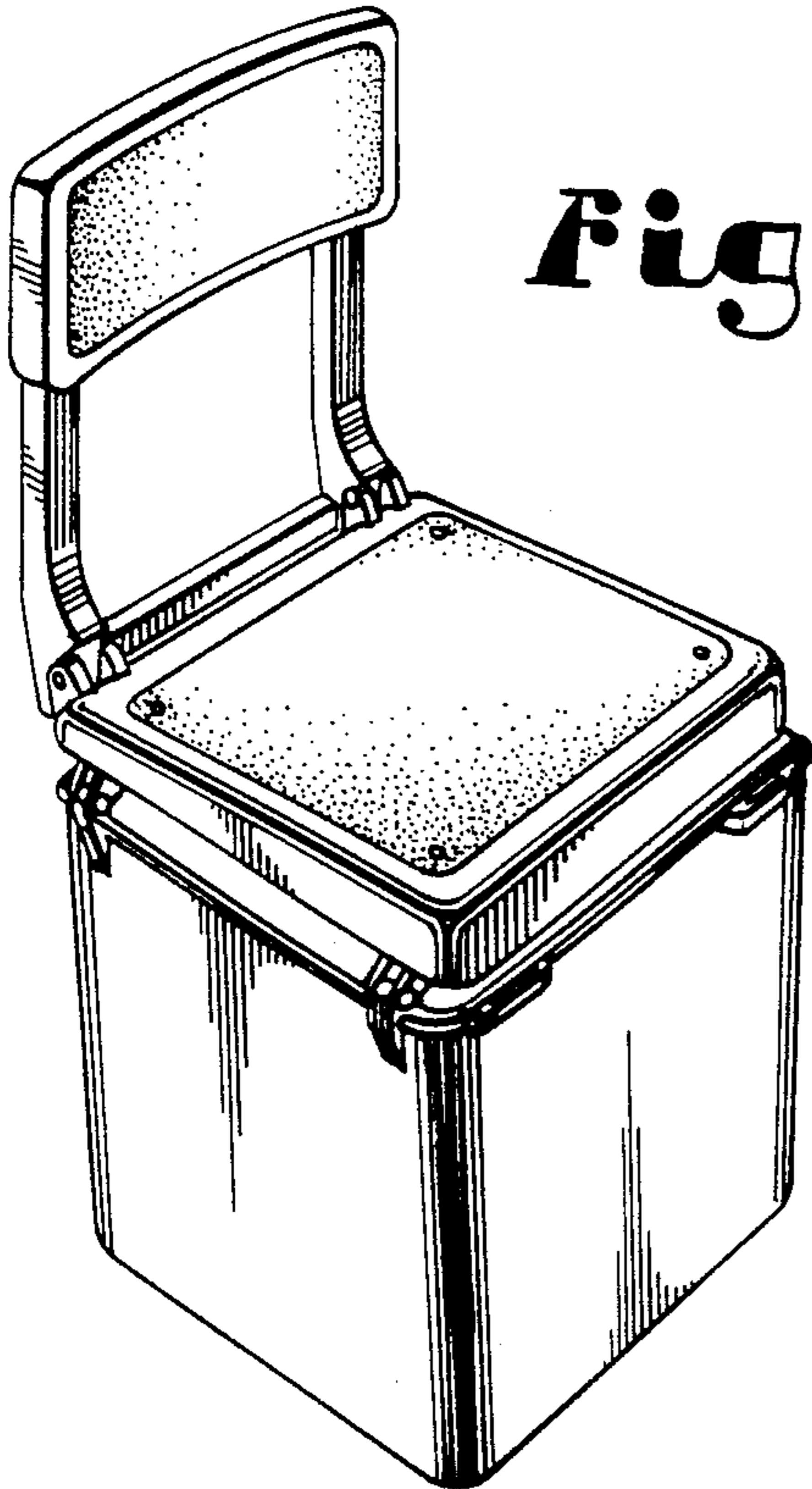


Fig. 1.

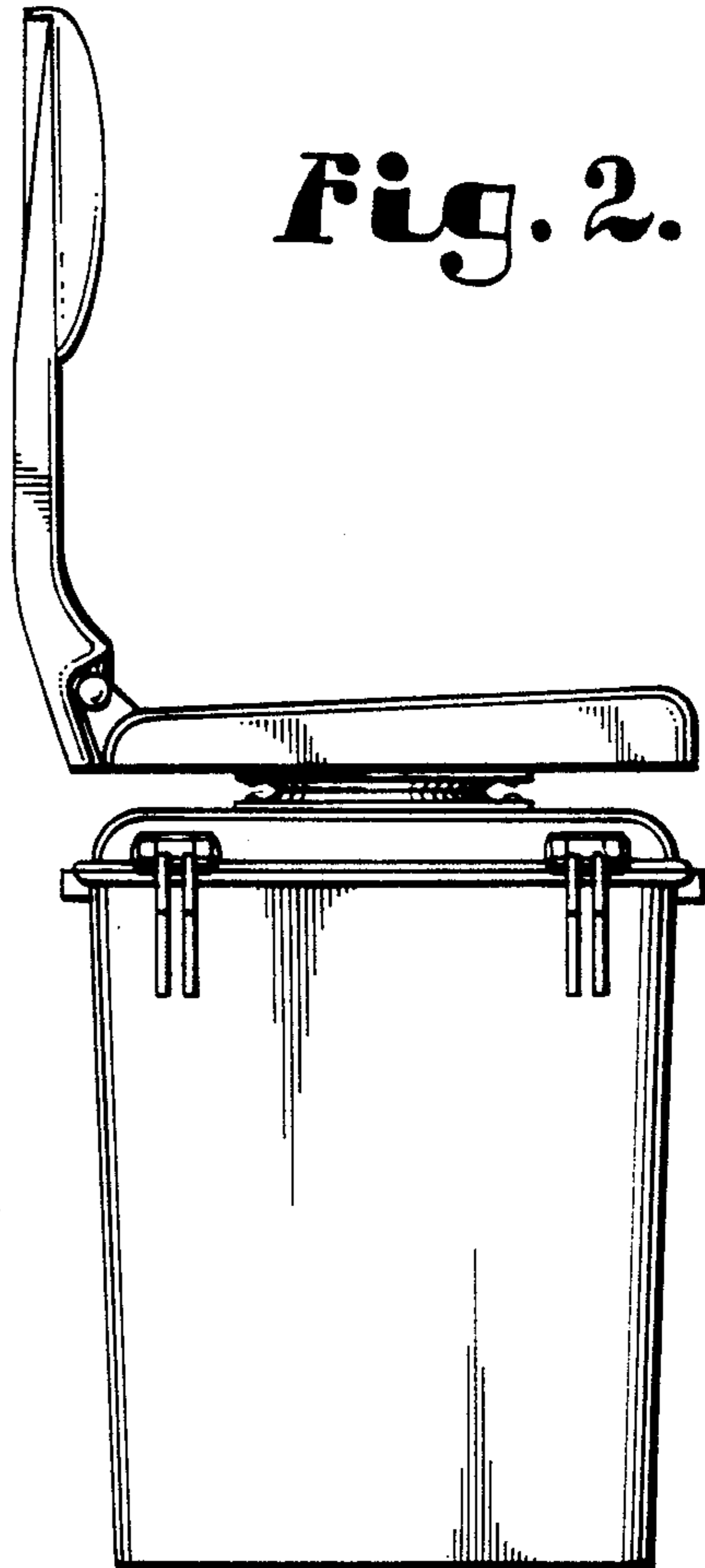


Fig. 2.

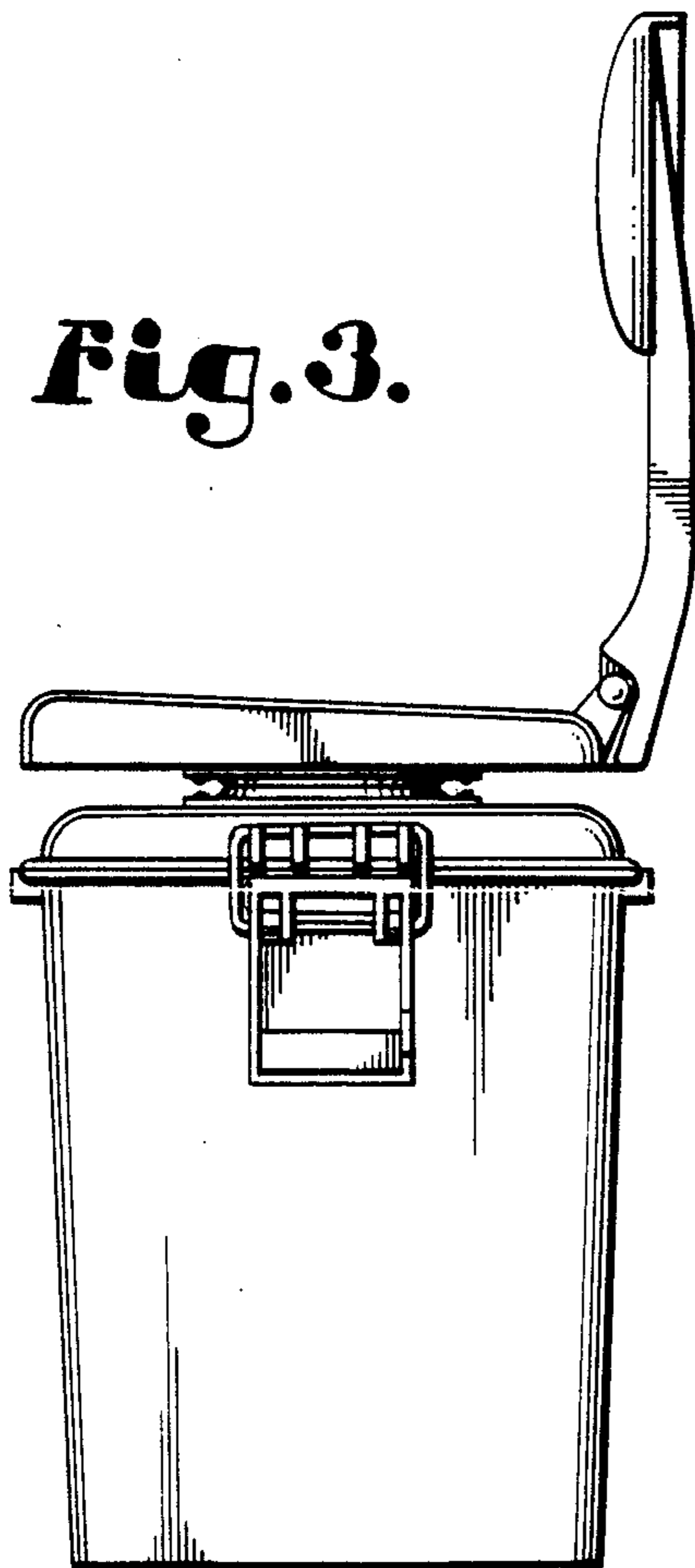


Fig. 3.

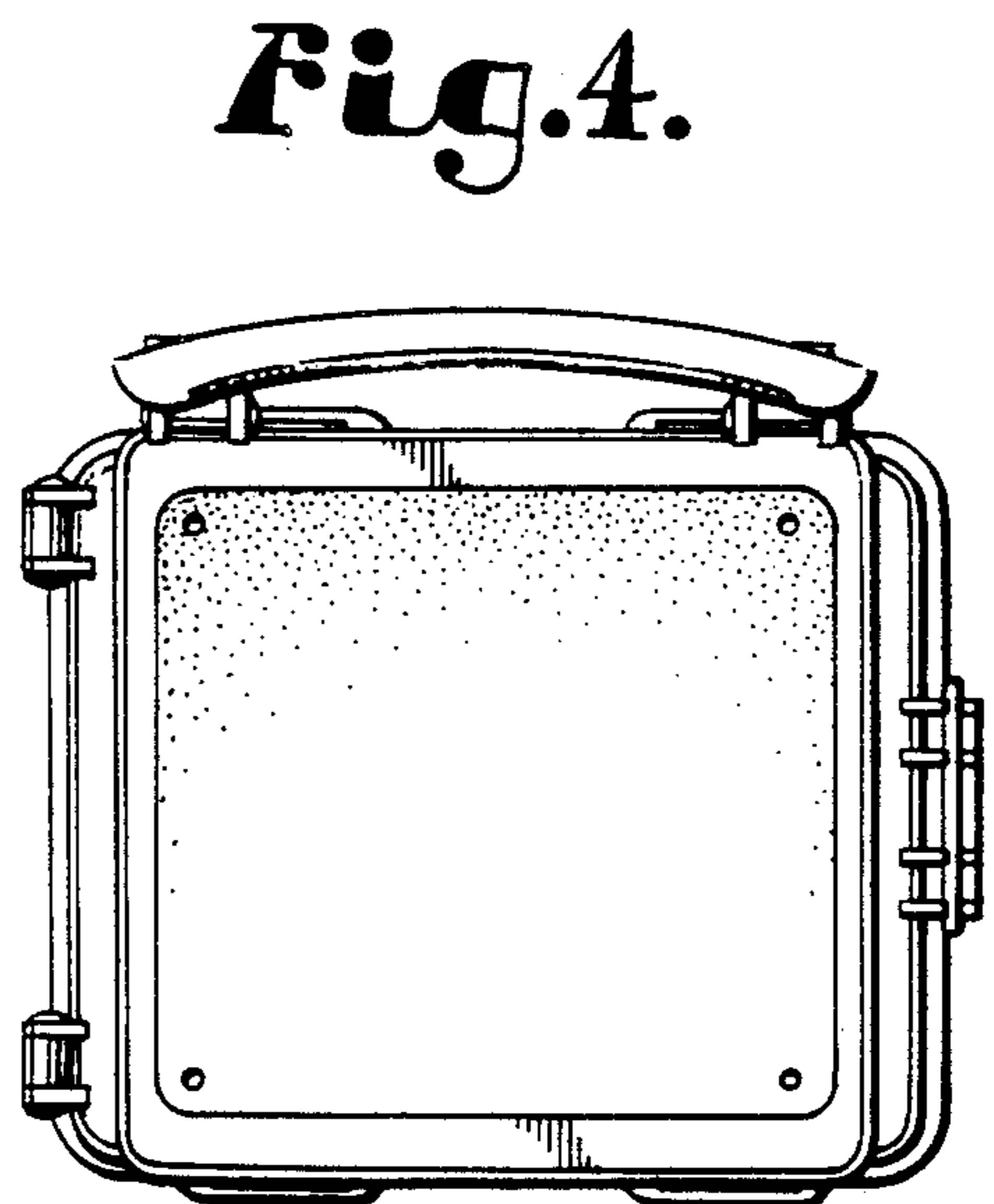


Fig. 4.

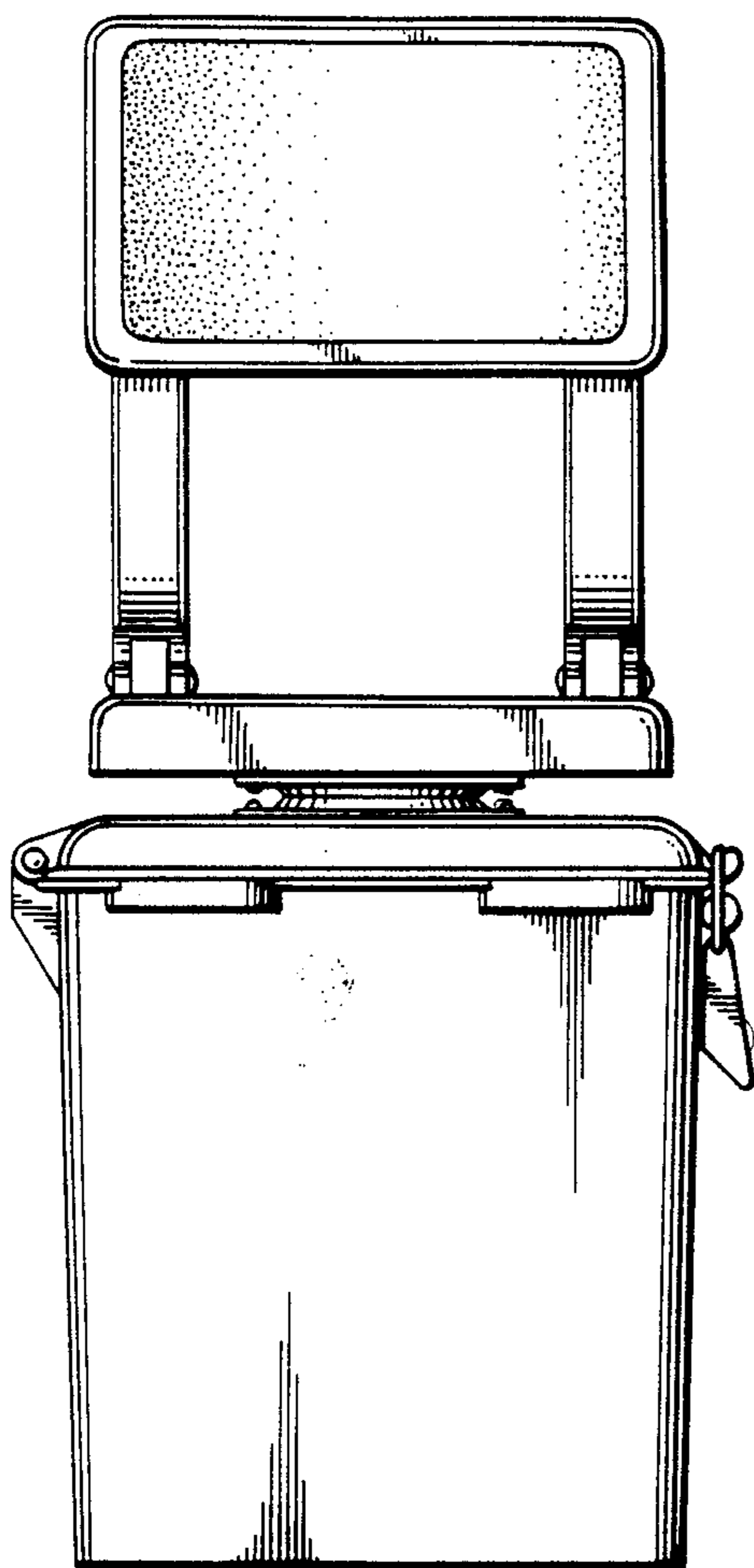


Fig. 5.

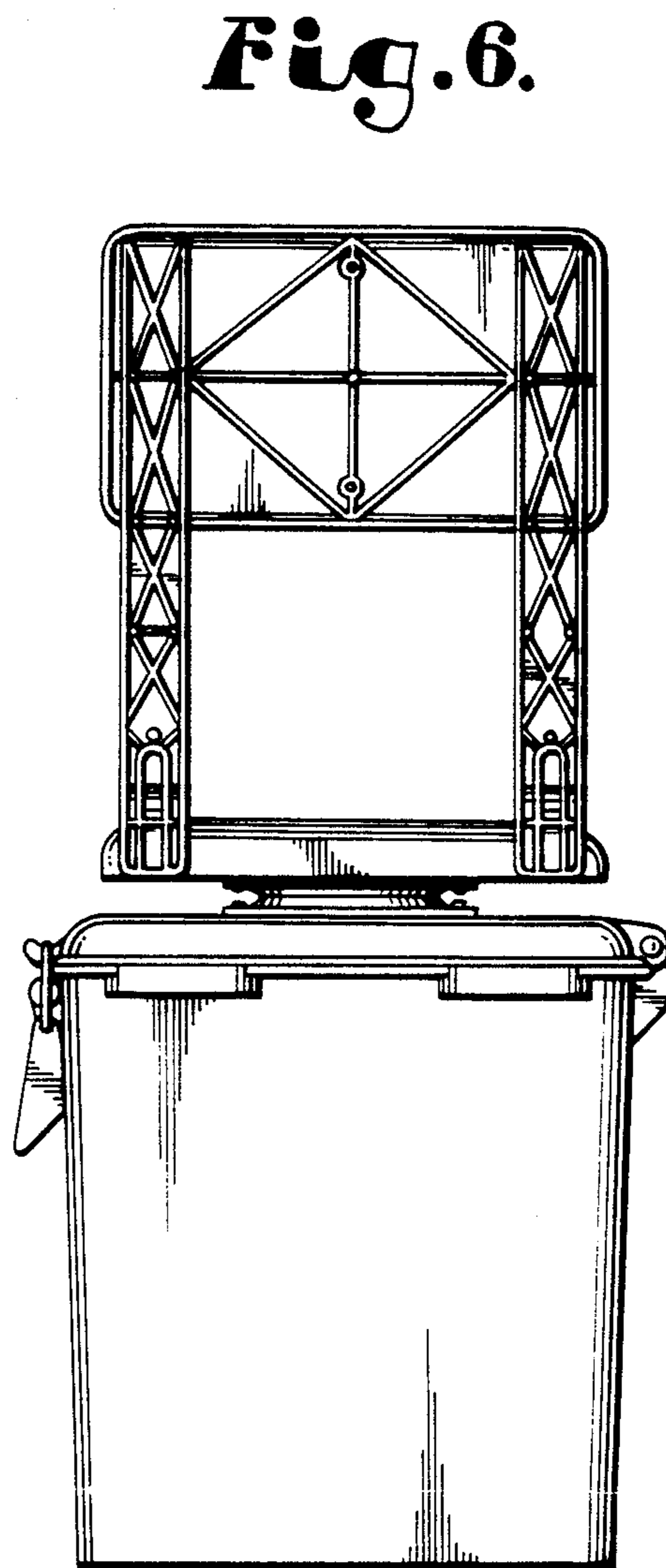


Fig. 6.

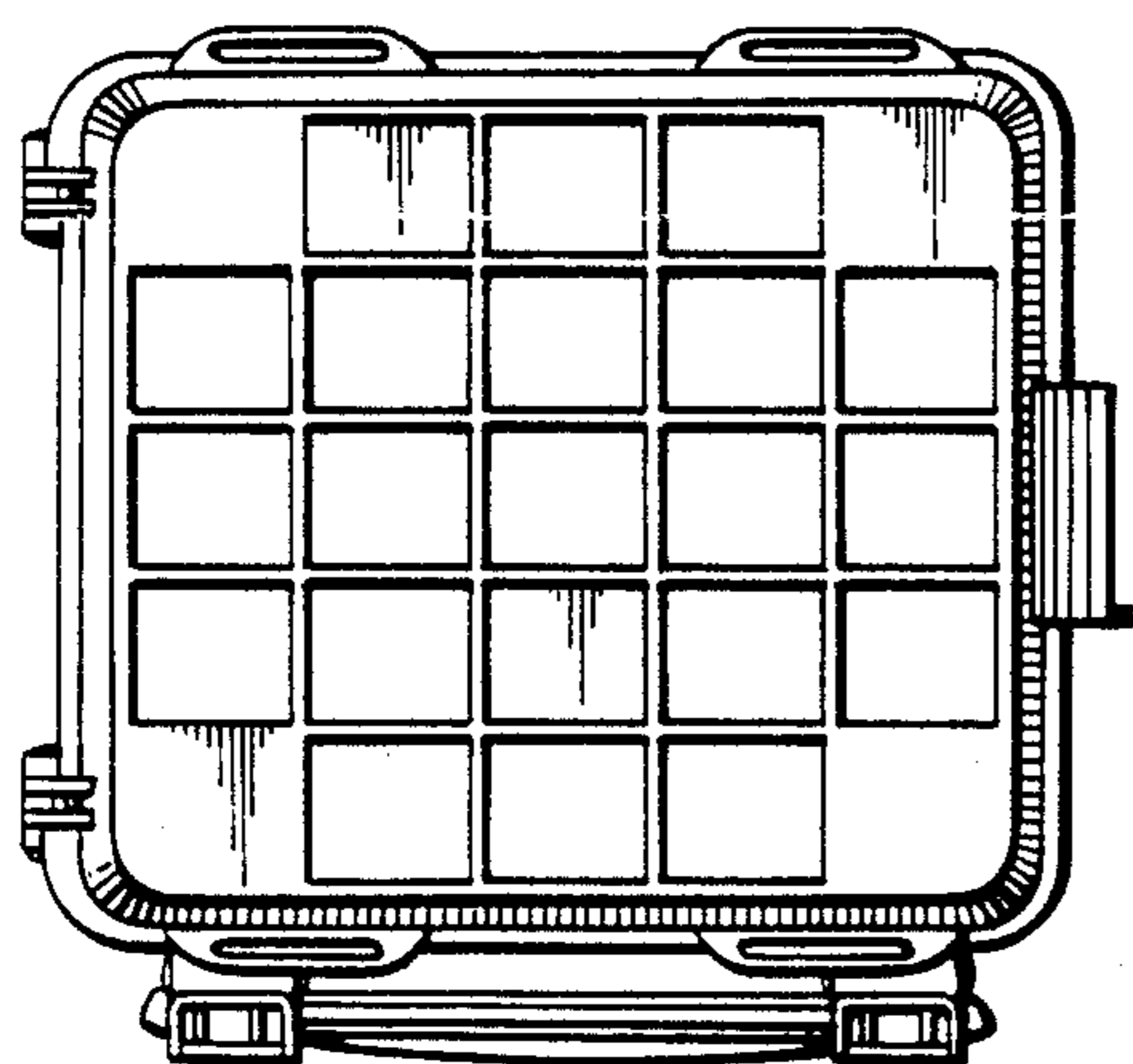


Fig. 7.