

[54] COMBINATION TOOL KIT AND TOY VEHICLE

[75] Inventor: Shintaro Tsuji, Tokyo, Japan
[73] Assignee: Sanrio Company, Ltd., Tokyo, Japan
[**] Term: 14 Years
[21] Appl. No.: 70,509
[22] Filed: Jul. 7, 1987
[52] U.S. Cl. D3/66; D21/137
[58] Field of Search D3/66; D21/137, 120

[56] References Cited

U.S. PATENT DOCUMENTS

D. 268,940	5/1983	Head	D21/137
D. 274,636	7/1984	Terui	D21/137
D. 277,495	2/1985	Kalns	D21/137
D. 301,356	5/1989	Doi	D21/137

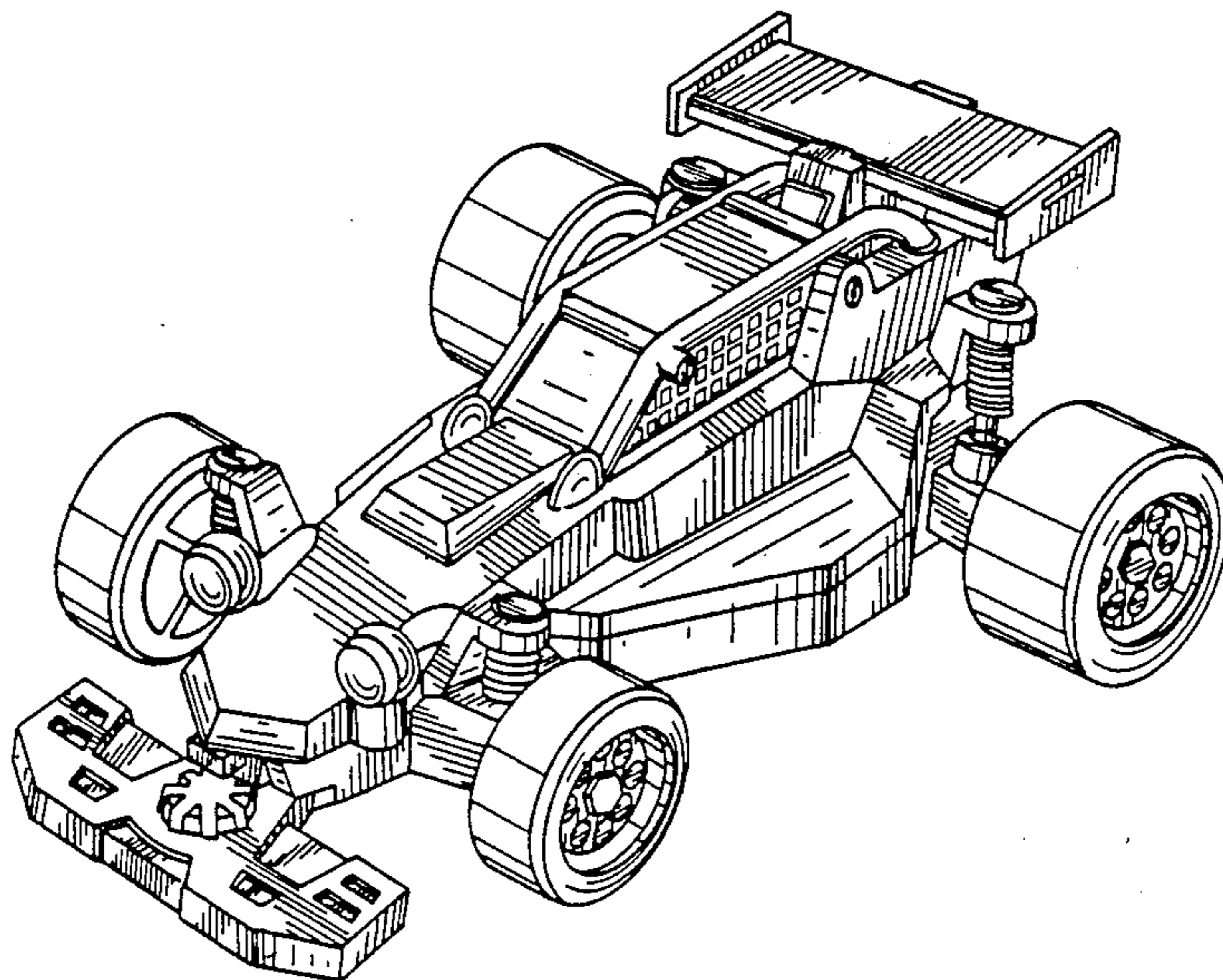
Primary Examiner—A. Hugo Word
Assistant Examiner—Doris V. Coles
Attorney, Agent, or Firm—Owen, Wickersham & Erickson

[57] CLAIM

The ornamental design for a combination tool kit and toy vehicle, as shown and described.

DESCRIPTION

FIG. 1 is a view in side elevation of a combination tool kit and toy vehicle showing my new design;
FIG. 2 is a top plan view of the same;
FIG. 3 is a view in front elevation of the same;
FIG. 4 is a view in perspective of the same looking from the front and from above.
FIG. 5 is a bottom plan view of the same;
FIG. 6 is a view in rear elevation of the same;
FIG. 7 is a view in side elevation of the same with some of the parts extended;
FIG. 8 is a top plan view of the same with some parts extended;
FIG. 9 is a view in front elevation of the same with some parts extended;
FIG. 10 is a view in perspective of the same looking from the front and from above with some parts extended;
FIG. 11 is a view in rear elevation of the same with some parts extended;
FIG. 12 is a bottom plan view of the same with some parts extended;
FIG. 13 is an exploded view in perspective of the same looking from above and from the front;
FIG. 14 is an exploded view in perspective looking from the front and from below.



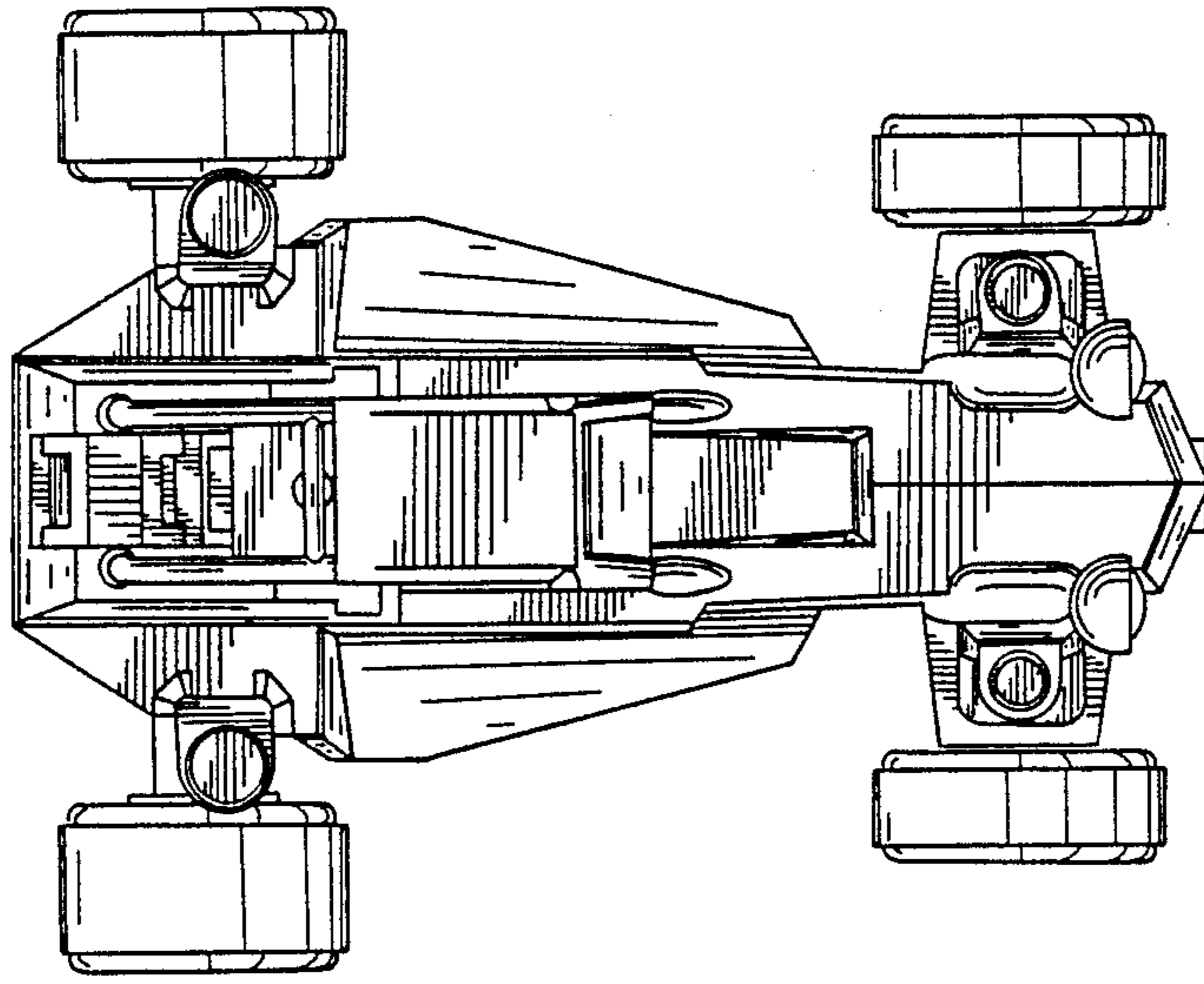


FIG.-2

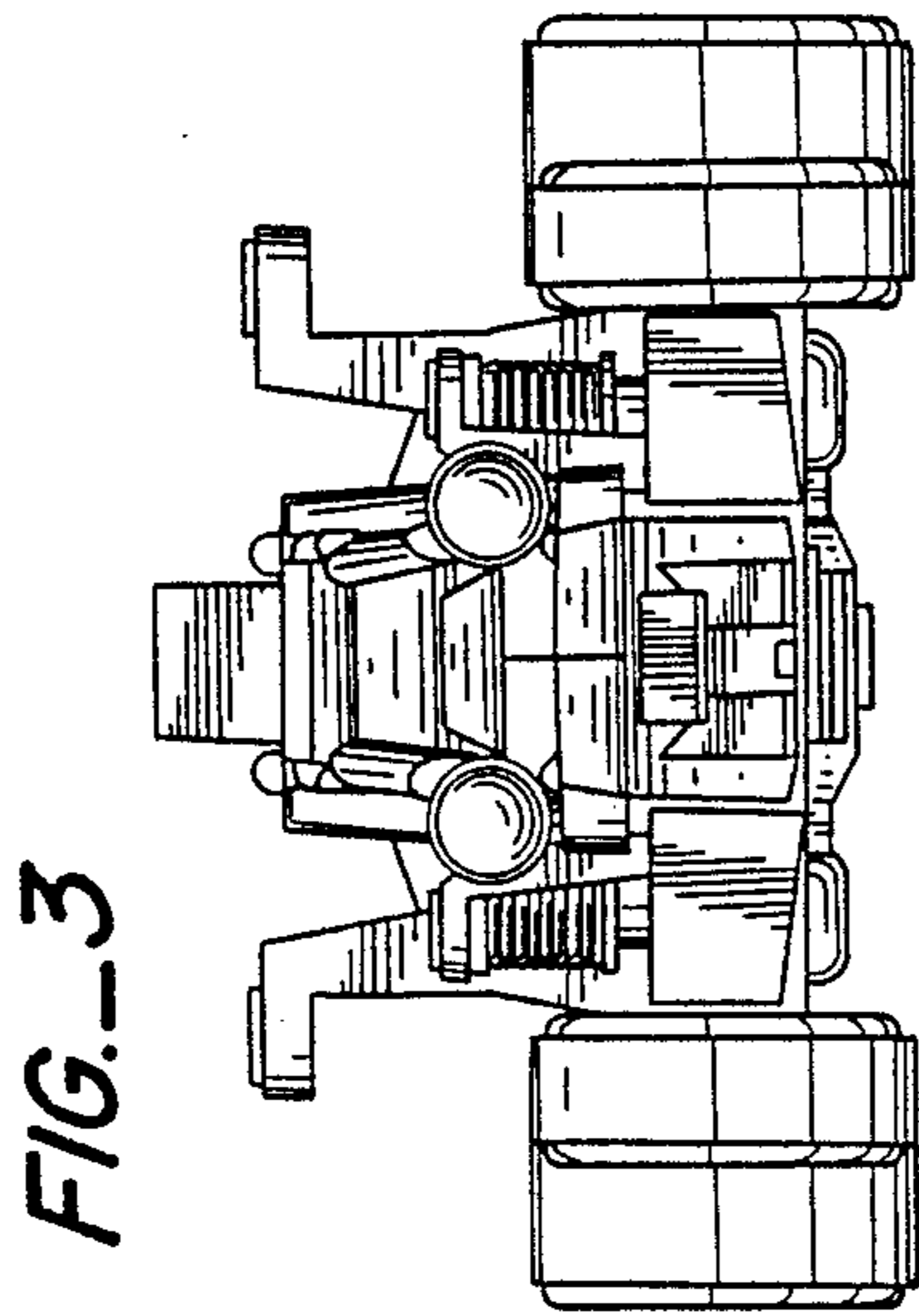


FIG.-3

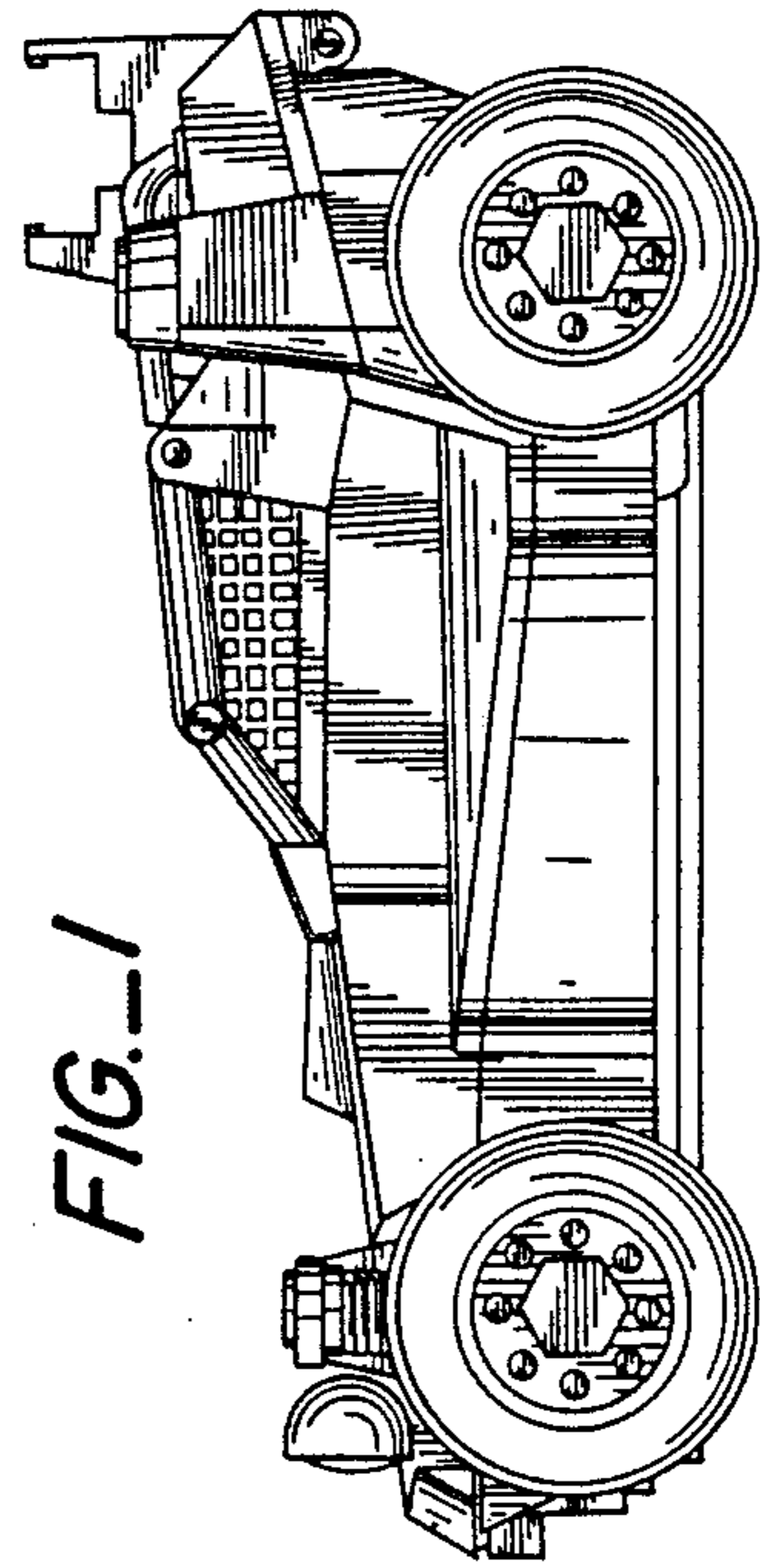


FIG.-1

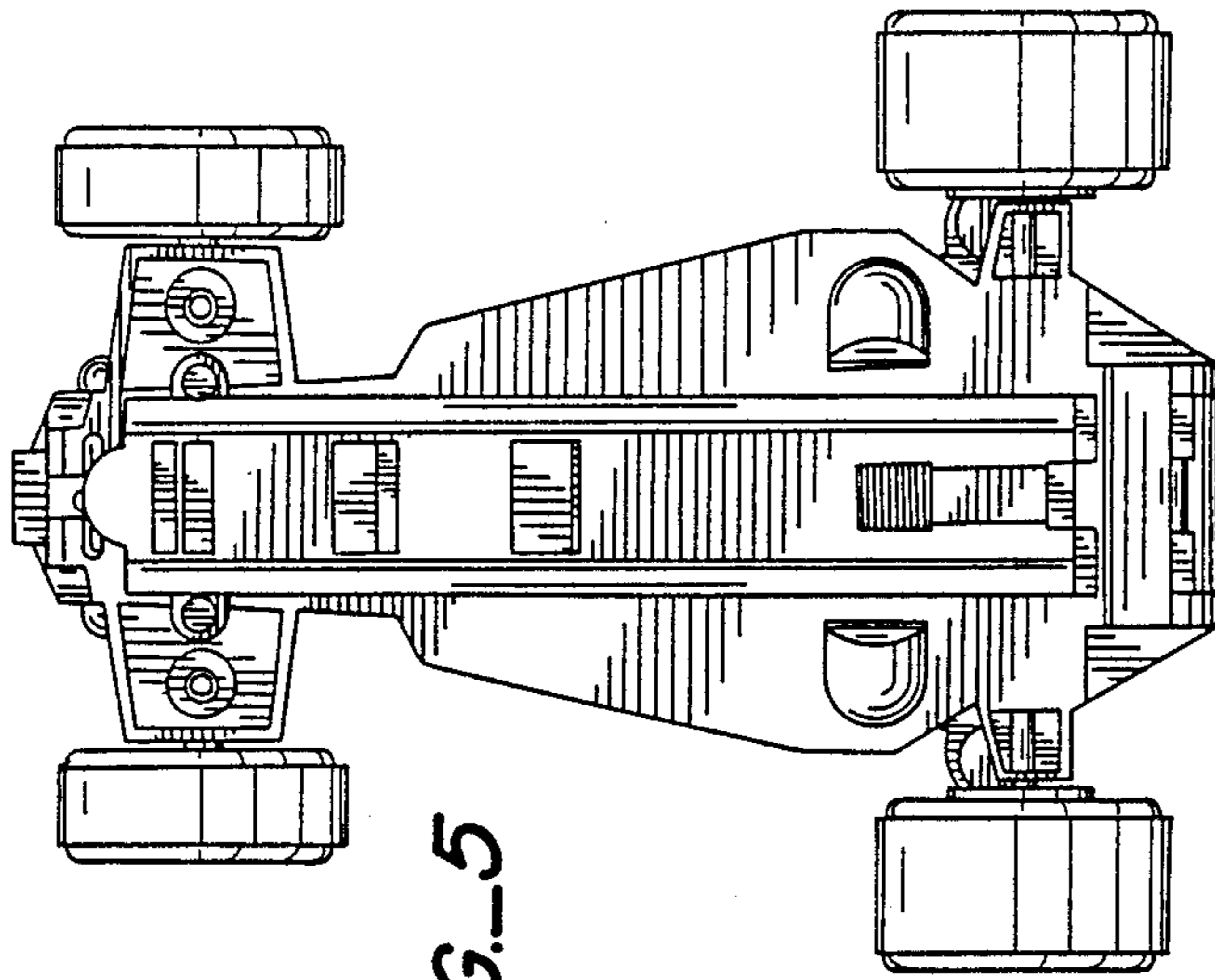


FIG. 5

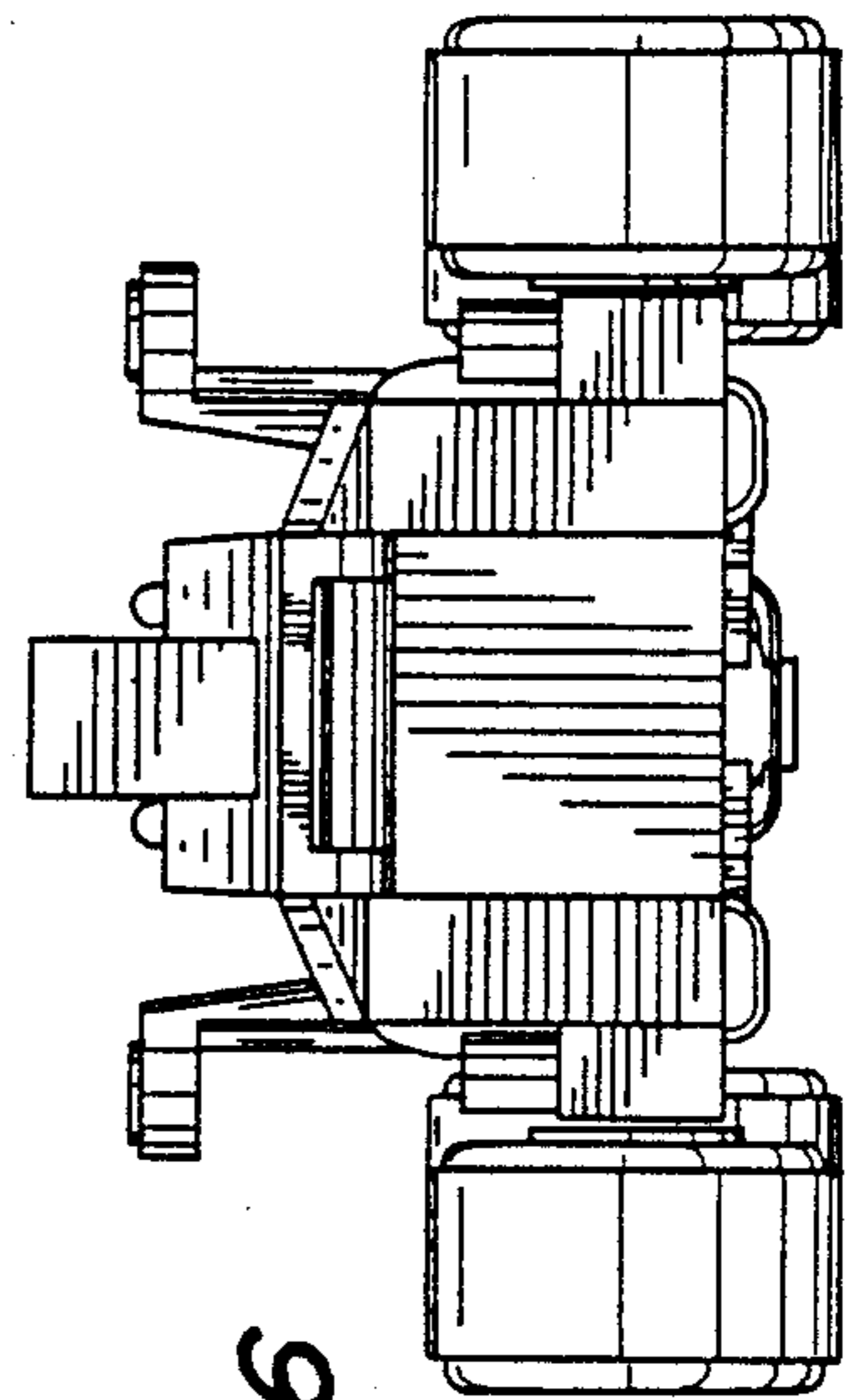


FIG. 6

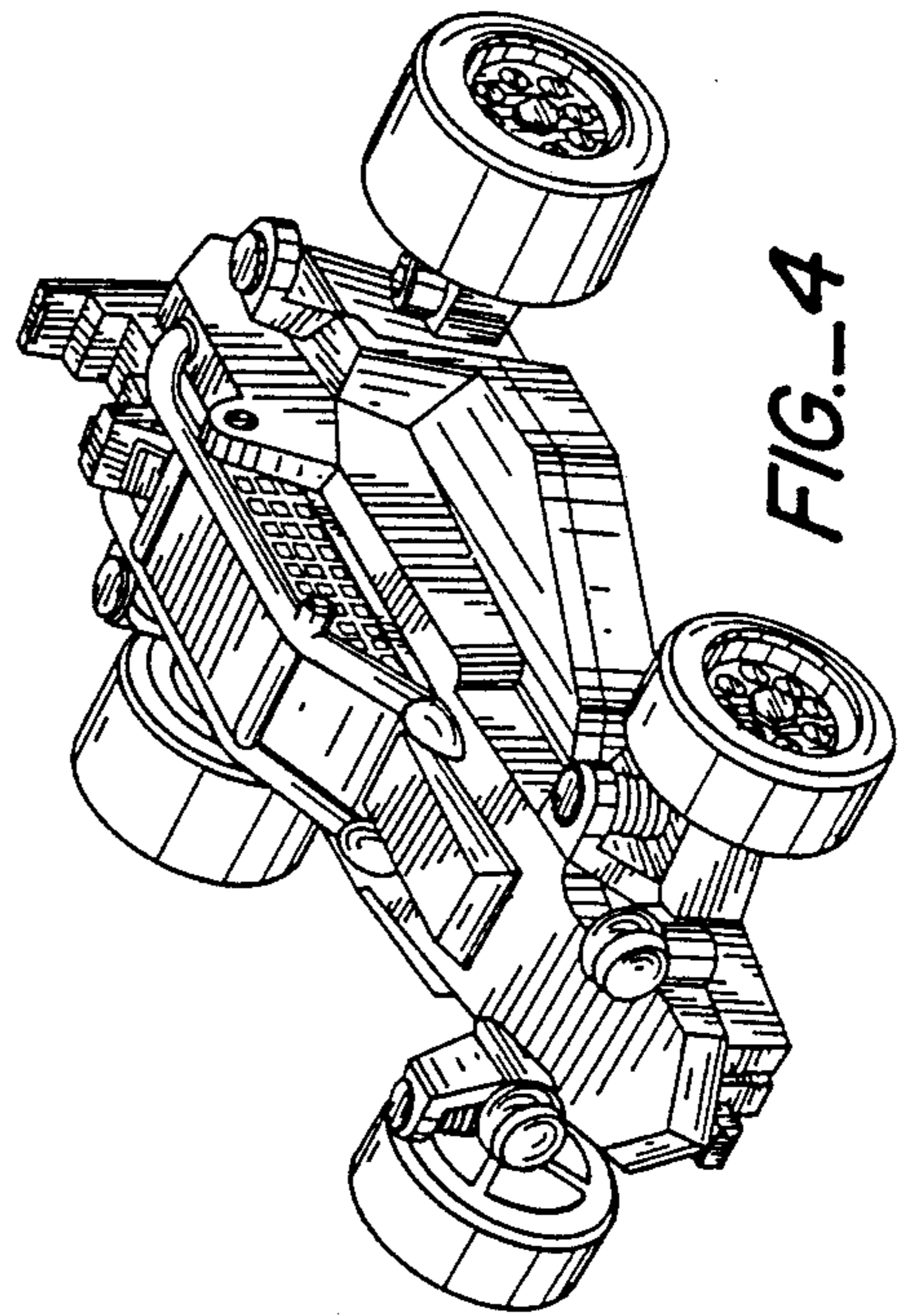


FIG. 4

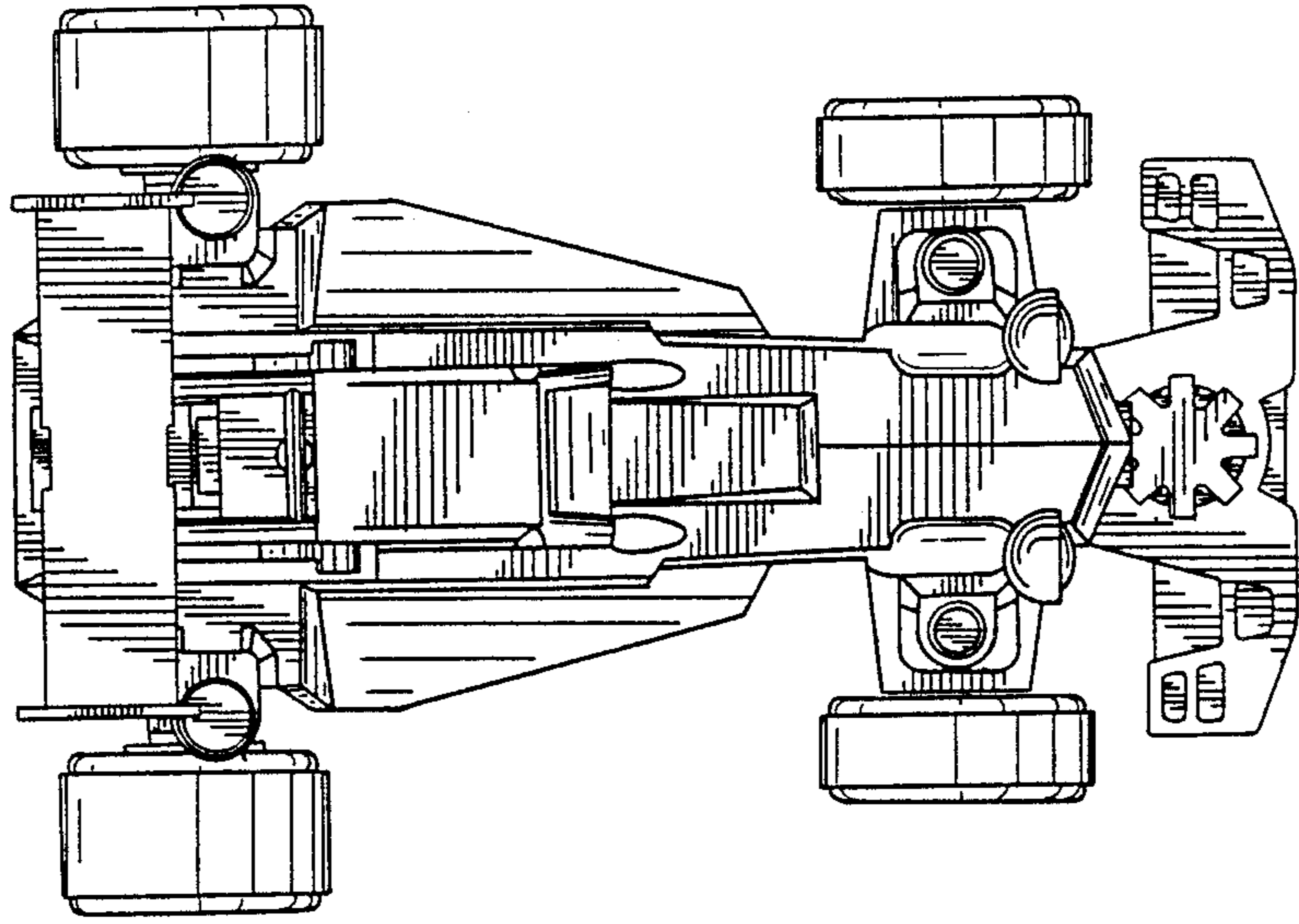


FIG.-8

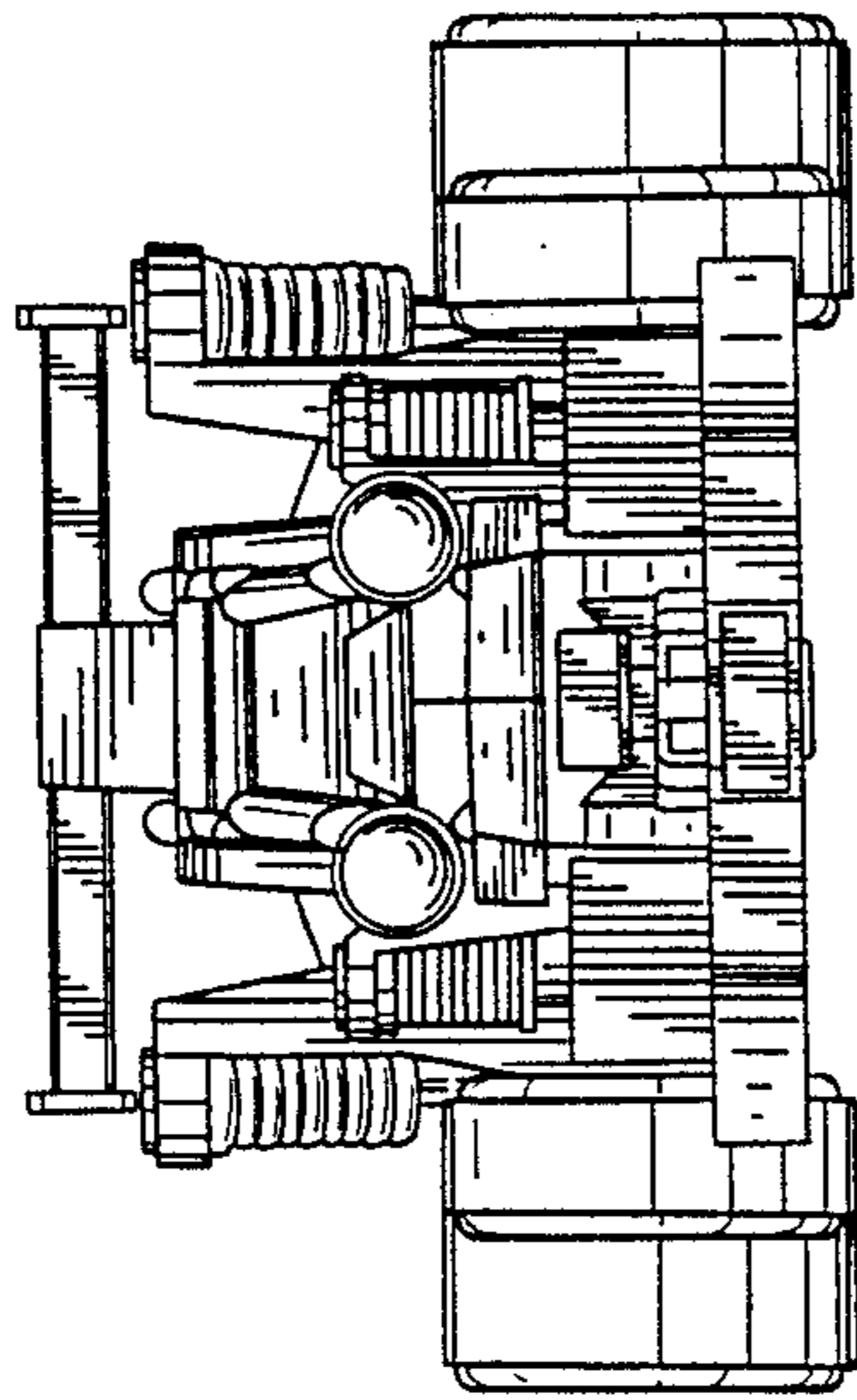


FIG.-9

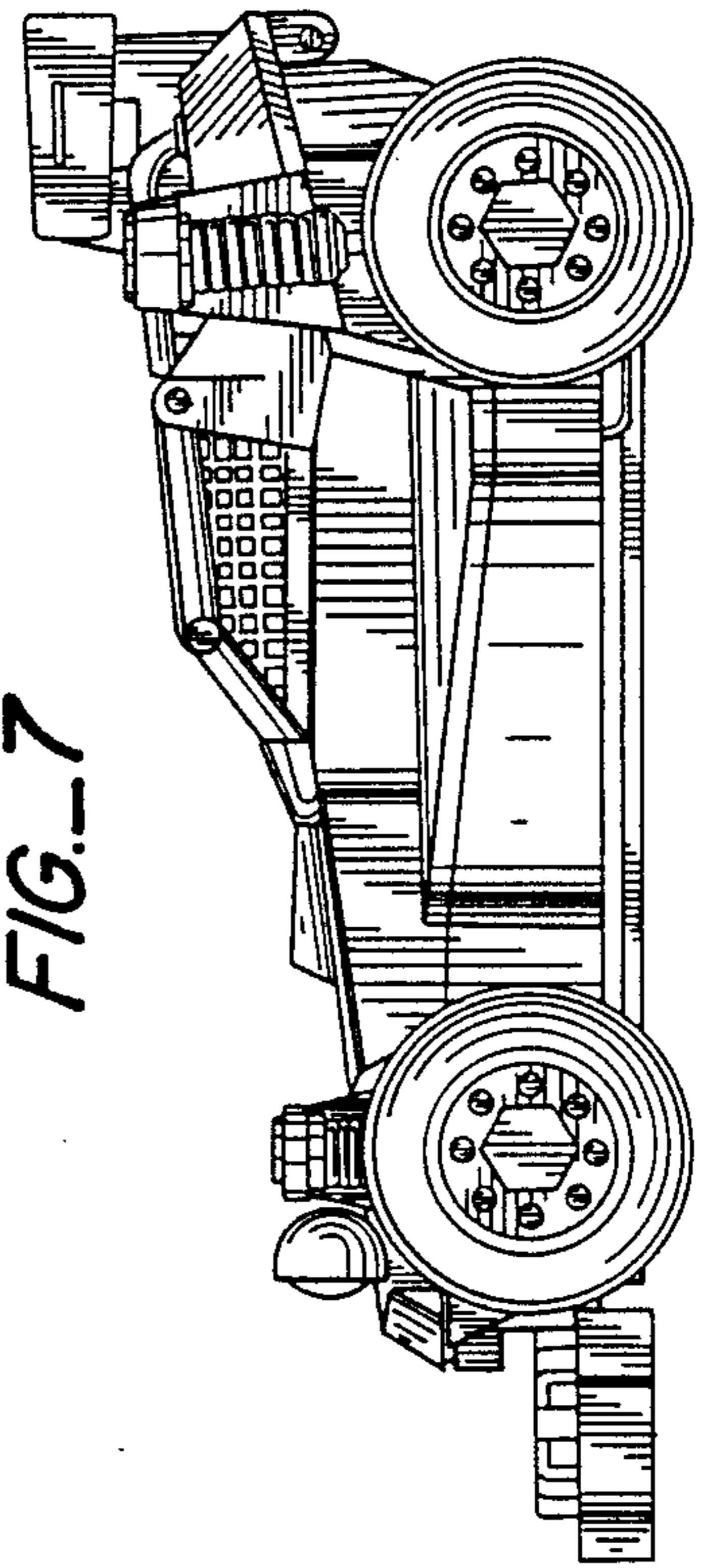


FIG.-7

FIG.-12

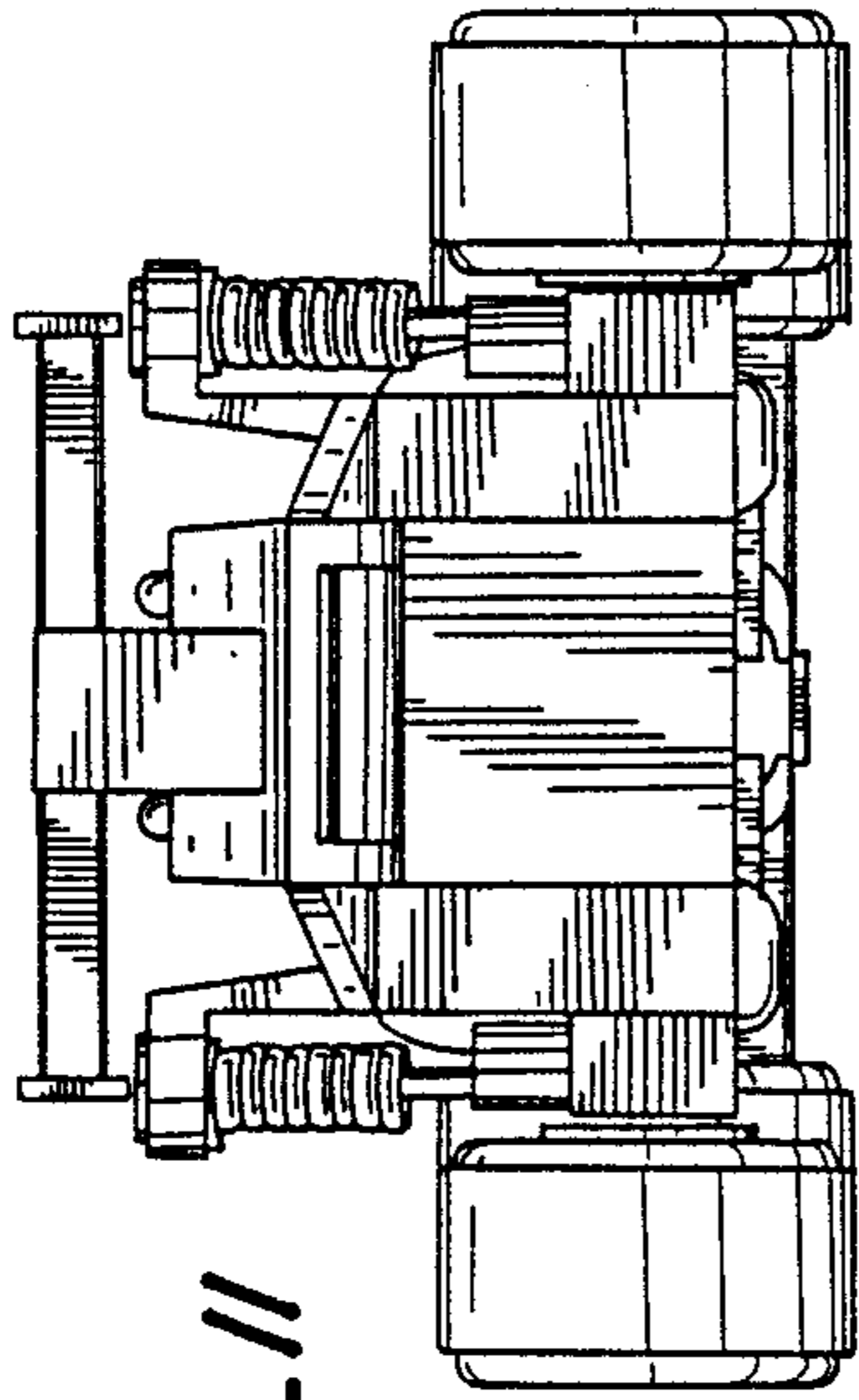
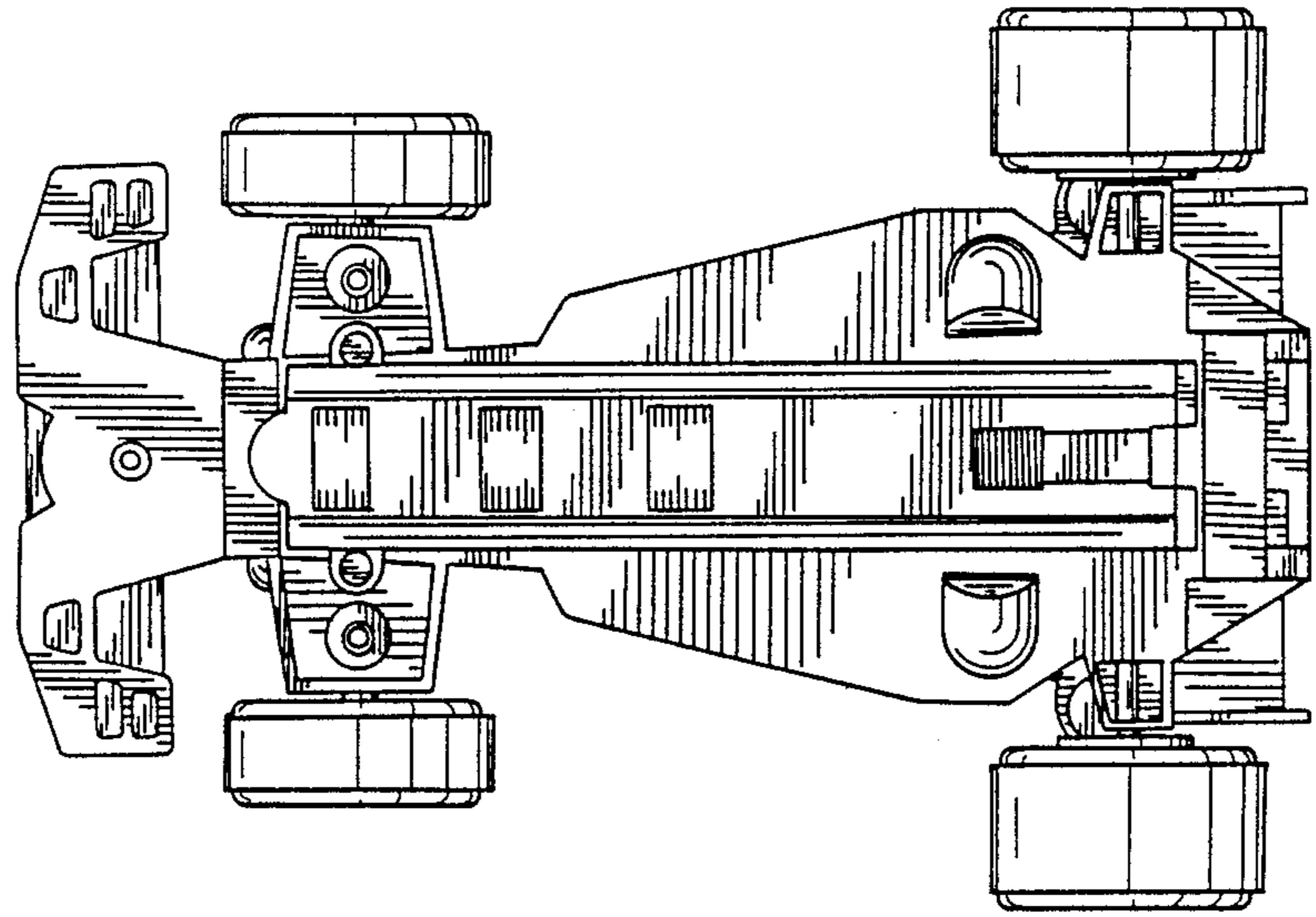


FIG.-11

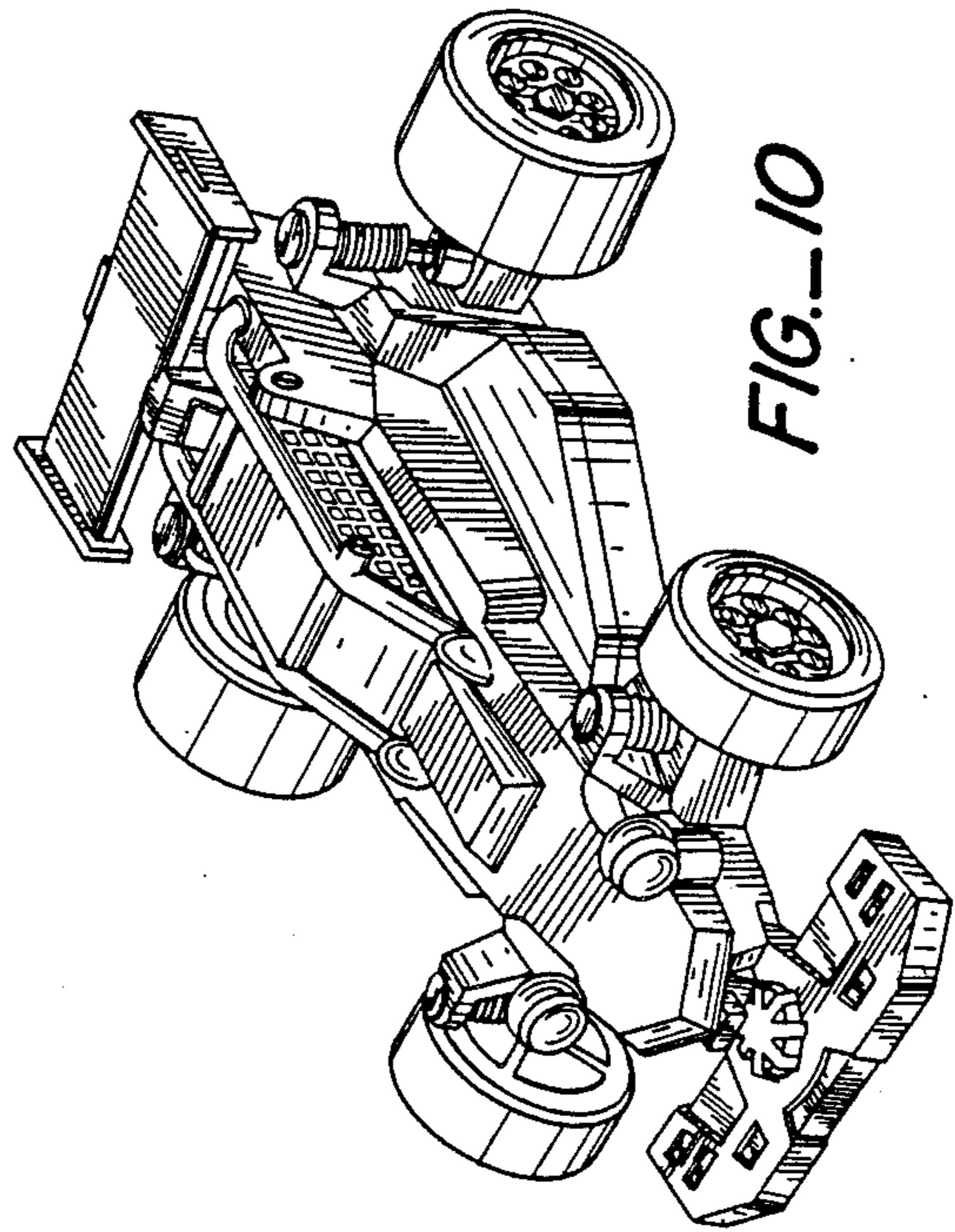


FIG.-10

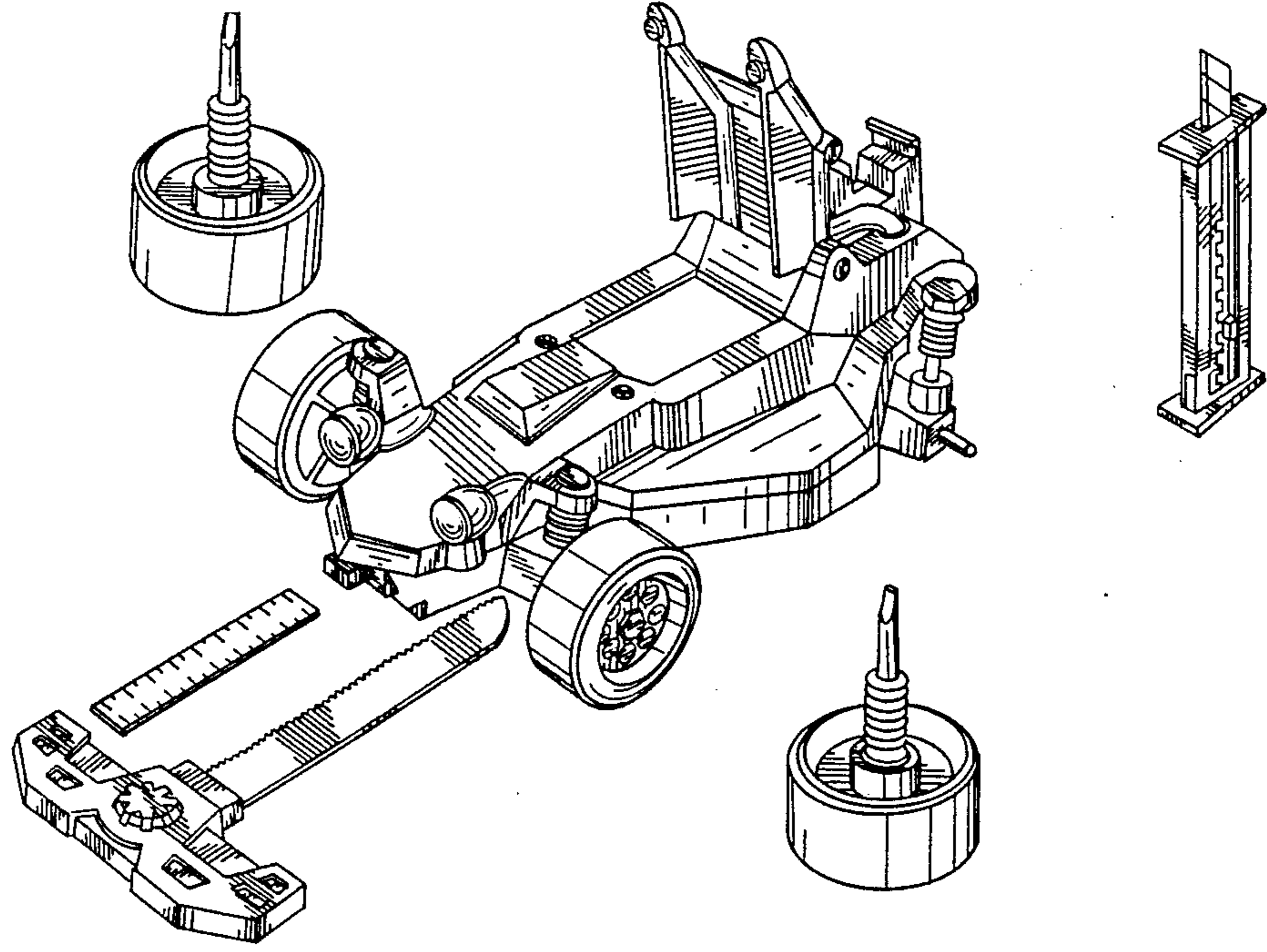


FIG. 14

FIG. 13

