

[54] SHOELACE EYELET

[75] Inventor: Yoshiaki Hase, Kobe, Japan
[73] Assignee: Asics Corporation, Hyogo, Japan
[**] Term: 14 Years
[21] Appl. No.: 124,513

[22] Filed: Nov. 24, 1987

[30] Foreign Application Priority Data

May 29, 1987 [JP] Japan 62-22302
[52] U.S. Cl. D2/314
[58] Field of Search D2/264, 265, 310, 313,
D2/314, 316; 36/102-106, 50, 112-116, 132,
136; 24/140-142

[56] References Cited

U.S. PATENT DOCUMENTS

D. 114,917 5/1939 Cairns D2/310
4,670,949 6/1987 Autry 24/140

Primary Examiner—Louis S. Zarfes
Attorney, Agent, or Firm—Nixon & Vanderhye

[57] CLAIM

The ornamental design for a shoelace eyelet, as shown and described.

DESCRIPTION

FIG. 1 is a perspective view of a shoelace eyelet showing my design on a reduced scale;
FIG. 2 is a perspective view thereof;
FIG. 3 is a front elevational view thereof;
FIG. 4 is a right side elevational view thereof;
FIG. 5 is a rear elevational view thereof;
FIG. 6 is a left side elevational view thereof;
FIG. 7 is a top plan view thereof;
FIG. 8 is a bottom plan view thereof; and
FIG. 9 is a section taken along line IX—IX of FIG. 3.
The broken line showing a shoe in FIG. 1 is for illustrative purposes only and forms no part of the claimed design.

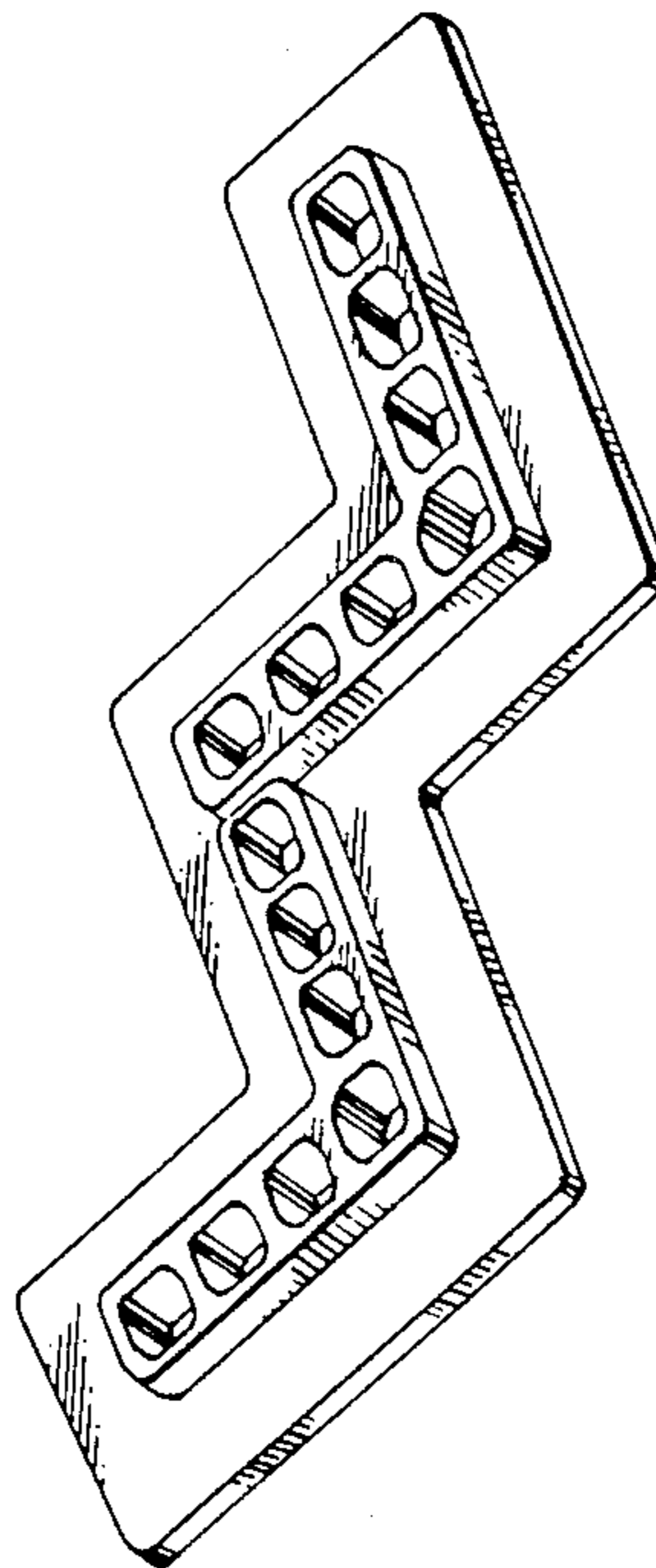


Fig. 2

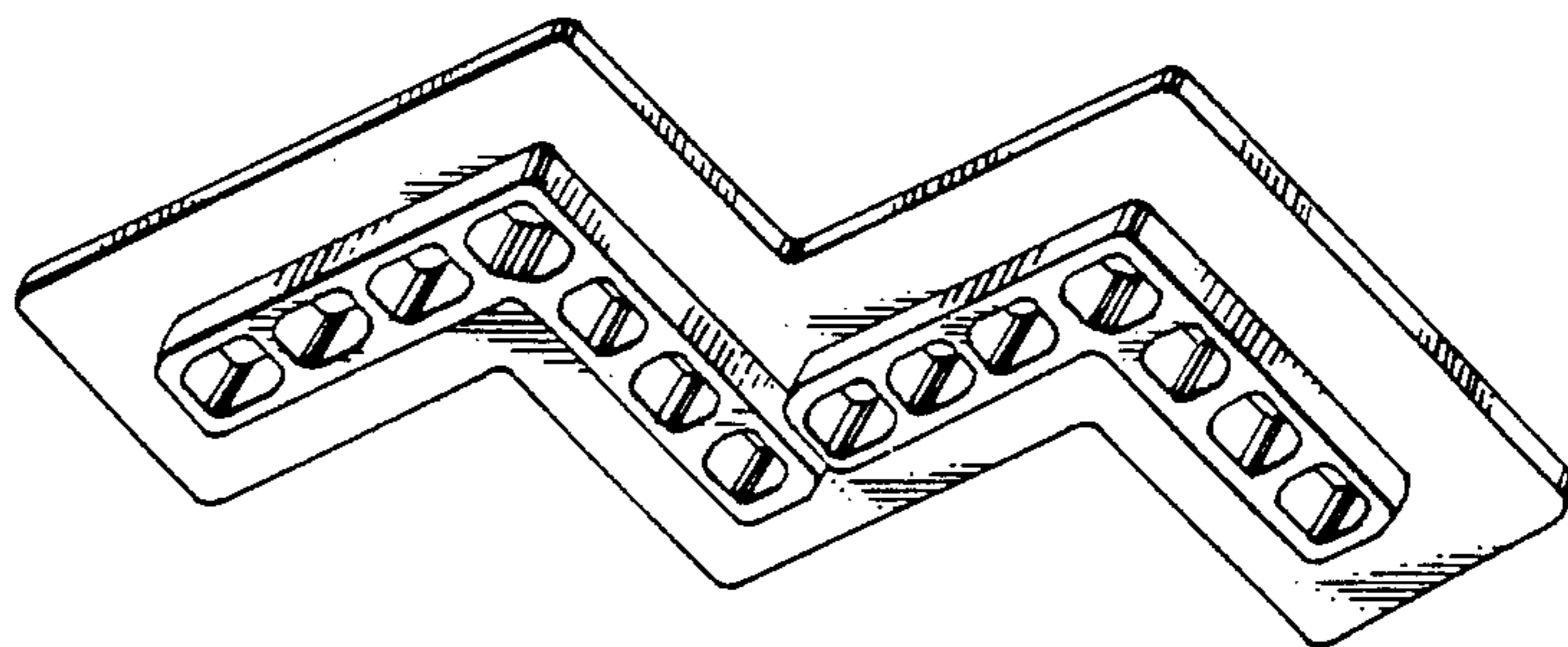


Fig. 1

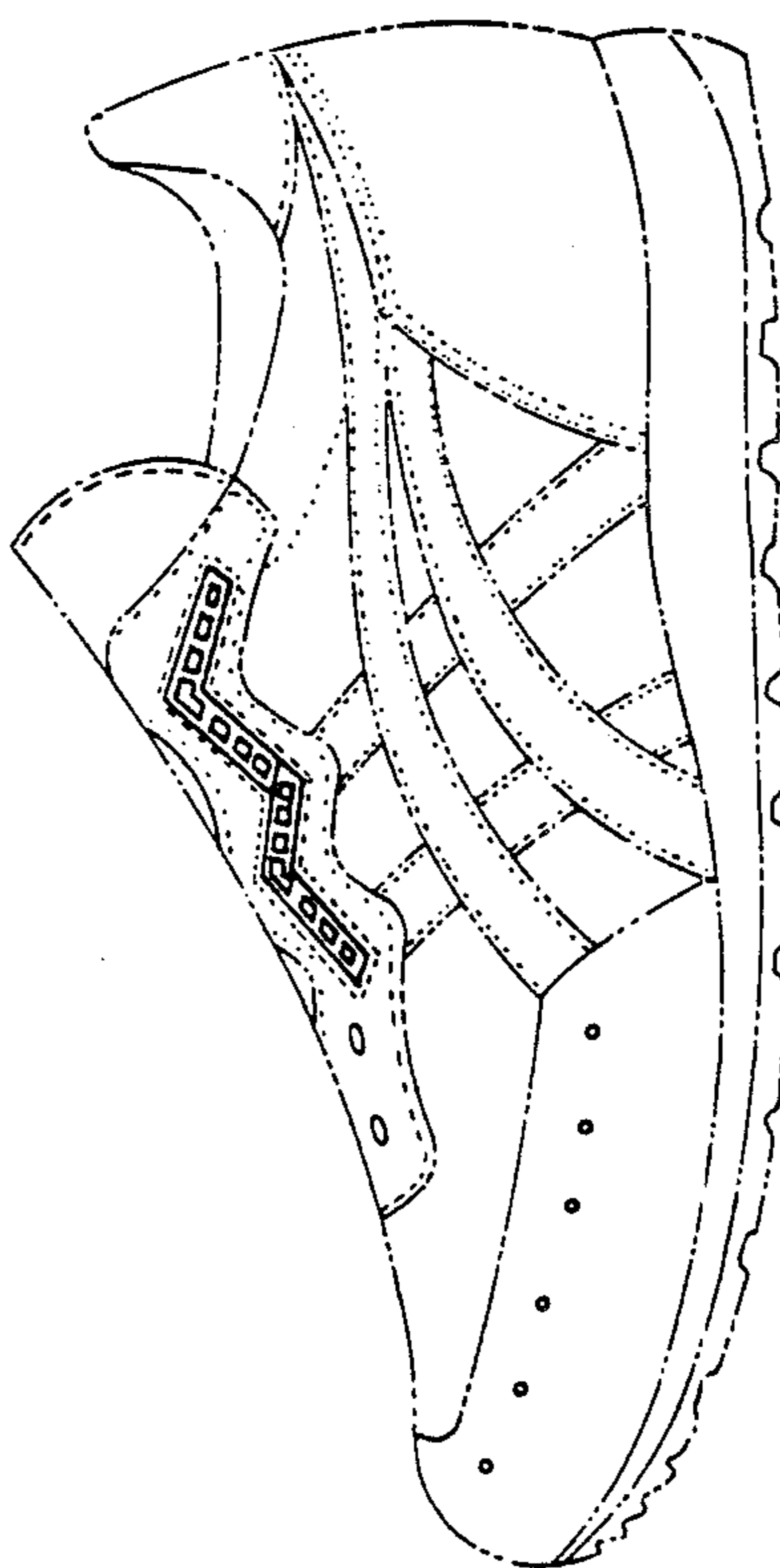


Fig. 5

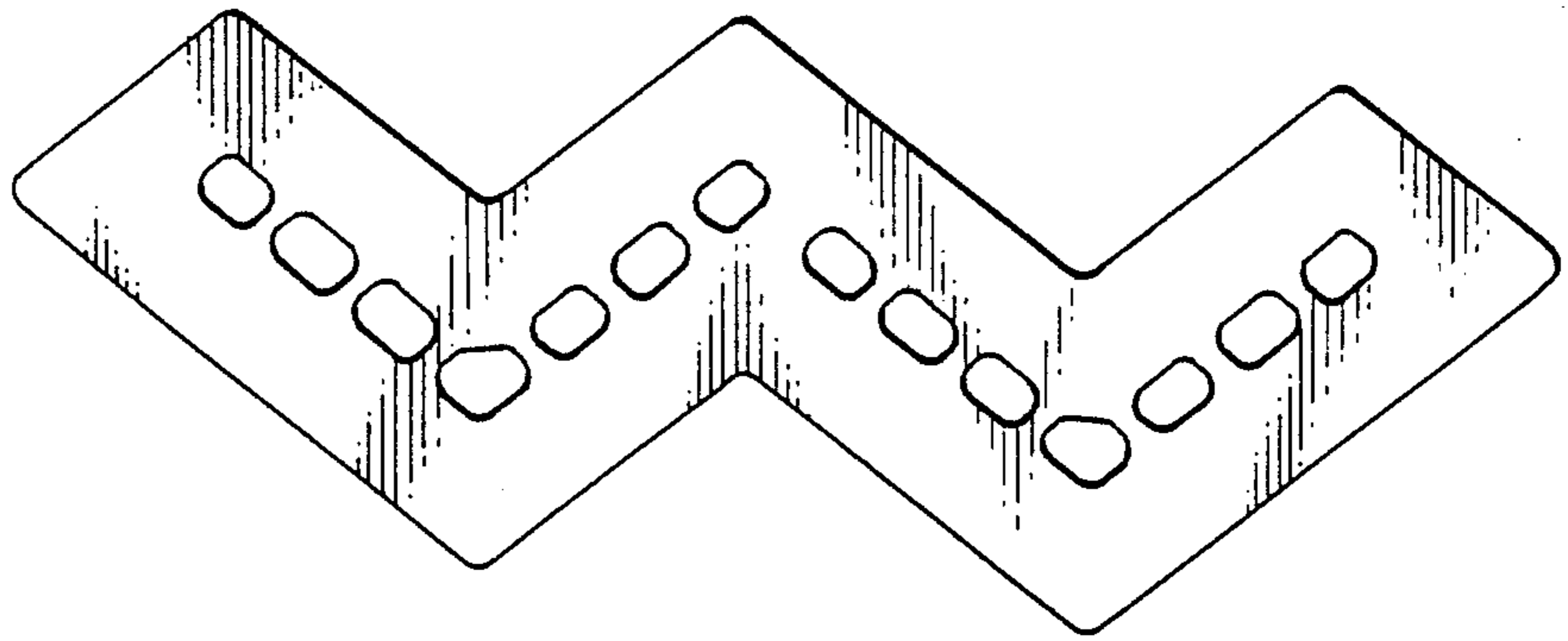


Fig. 4



Fig. 3

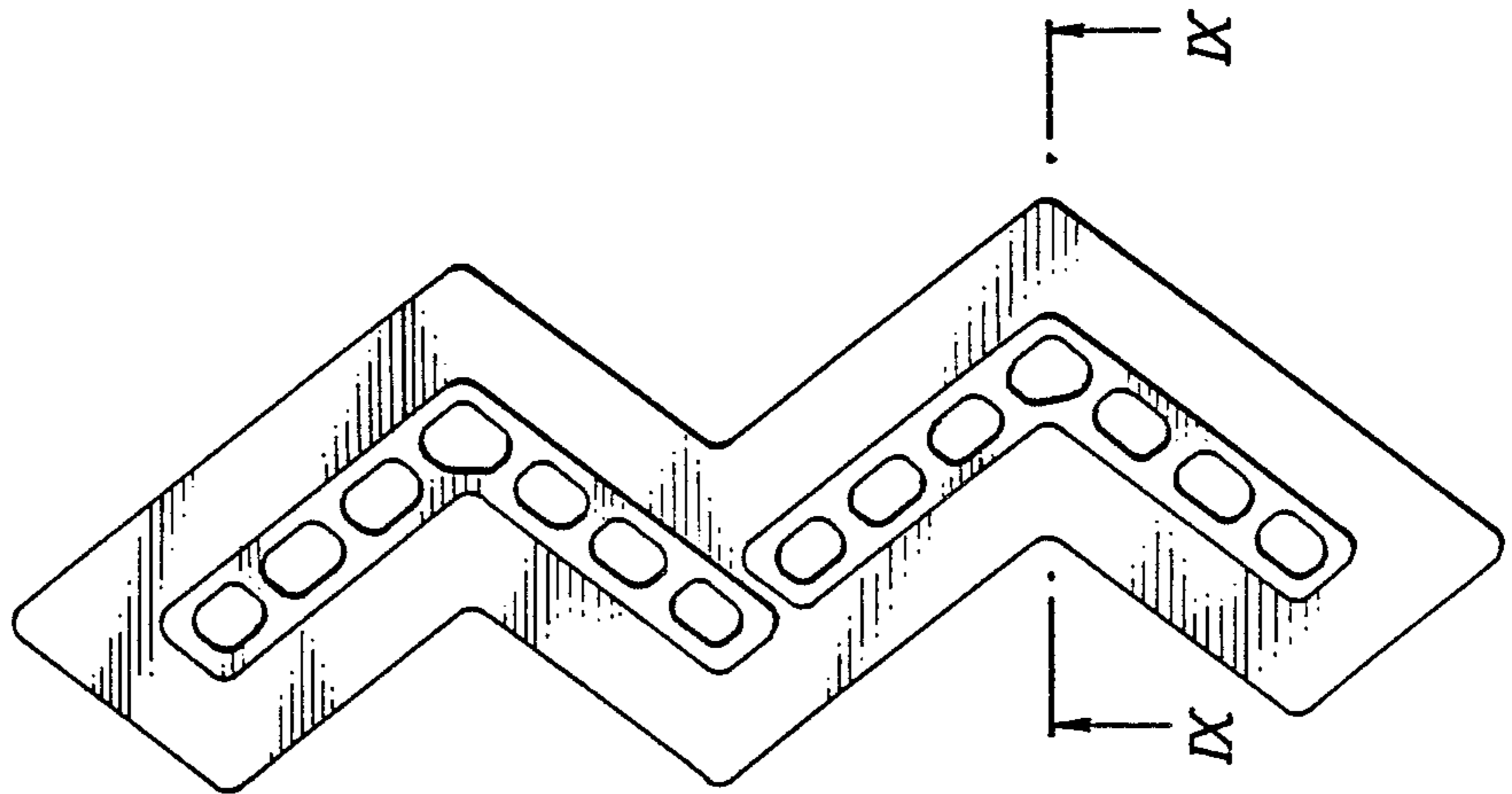


Fig. 6

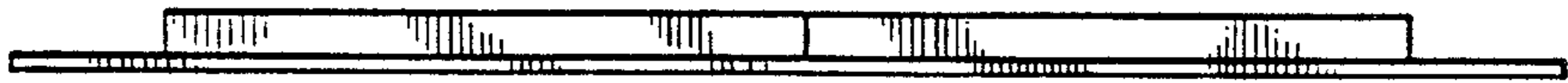


Fig. 7



Fig. 8



Fig. 9

