

[54] **REINFORCING RING FOR A CONTAINER**

[75] **Inventor: Houston Rehrig, Pasadena, Calif.**

[73] **Assignees: Rehrig International, Inc., Richmond, Va.; Rehrig-Pacific Company, Inc., Los Angeles, Calif.**

[\*\*] **Term: 14 Years**

[21] **Appl. No.: 187,072**

[22] **Filed: Apr. 27, 1988**

[52] **U.S. Cl. .... D34/27**

[58] **Field of Search .... D34/43, 17, 12, 19, D34/20, 21, 23; 280/33.992, 33.991, 33.993; 220/71, 72.1, 73**

[56] **References Cited**

**U.S. PATENT DOCUMENTS**

D. 209,865	1/1968	Rehrig et al. ....	34/43
D. 294,419	2/1988	Rehrig .....	D34/17
D. 296,259	6/1988	Rehrig .....	D34/27
2,876,498	3/1959	Nason .....	18/59
3,341,060	9/1967	Rehrig et al. ....	220/73
3,390,808	7/1968	Rehrig et al. ....	220/73
3,419,182	12/1968	Gildart .....	220/73
3,445,034	5/1969	Rehrig .....	220/97
3,622,037	11/1971	Gildart .....	220/73
3,999,774	12/1976	Rehrig .....	280/33.991
4,123,077	10/1978	Joseph .....	280/33.990
4,273,346	6/1981	Rehrig .....	280/33.992
4,412,628	11/1983	Whitney .....	220/71
4,500,007	2/1985	Stoll, III .....	220/71
4,619,371	10/1986	Rehrig .....	220/71
4,865,338	9/1989	Rehrig .....	280/33.992

**FOREIGN PATENT DOCUMENTS**

1520906 8/1978 United Kingdom .

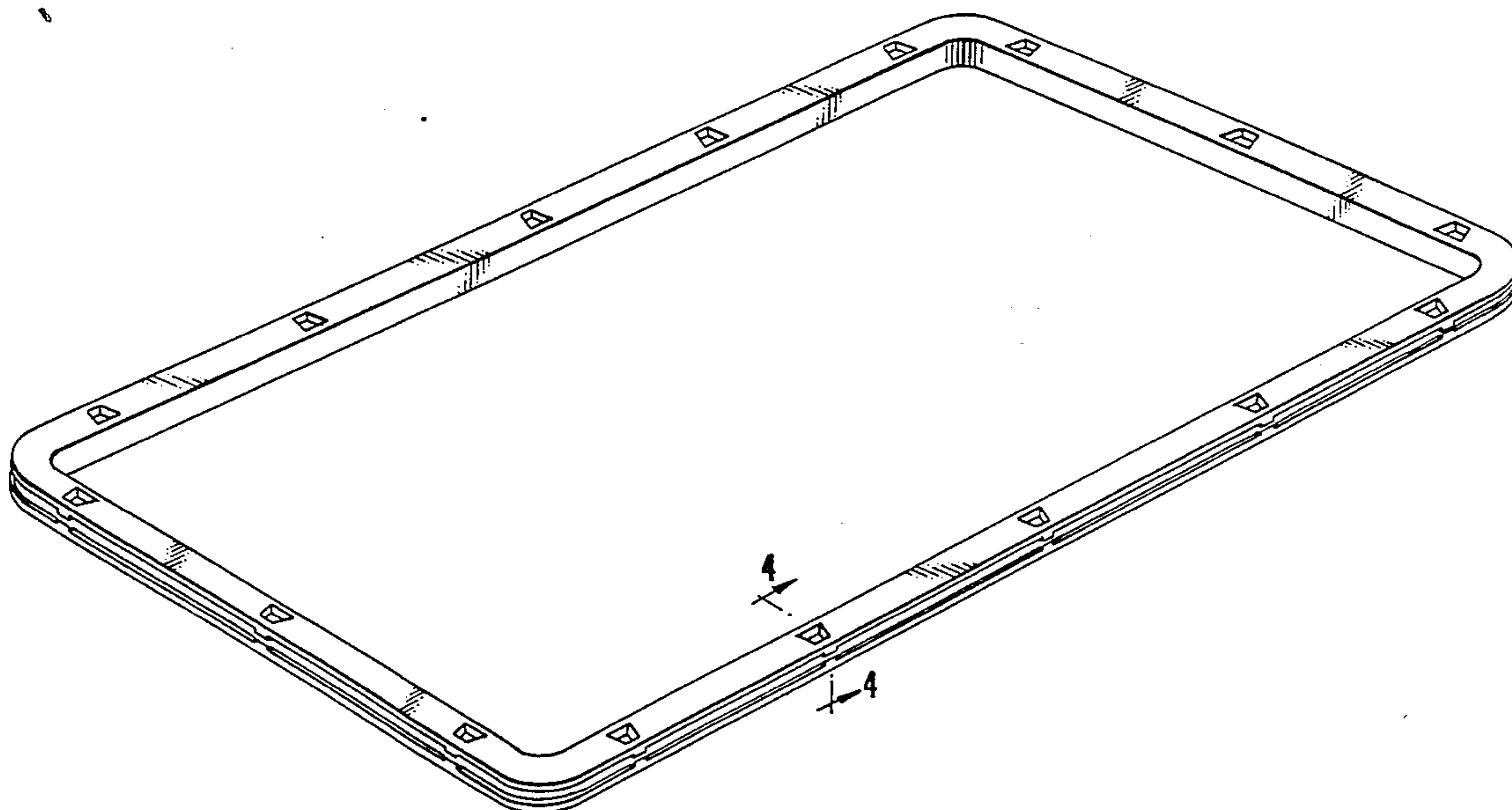
*Primary Examiner*—James M. Gandy  
*Assistant Examiner*—Kay H. Chin  
*Attorney, Agent, or Firm*—Banner, Birch, McKie & Beckett

[57] **CLAIM**

The ornamental design for a reinforcing ring for a container, as shown and described.

**DESCRIPTION**

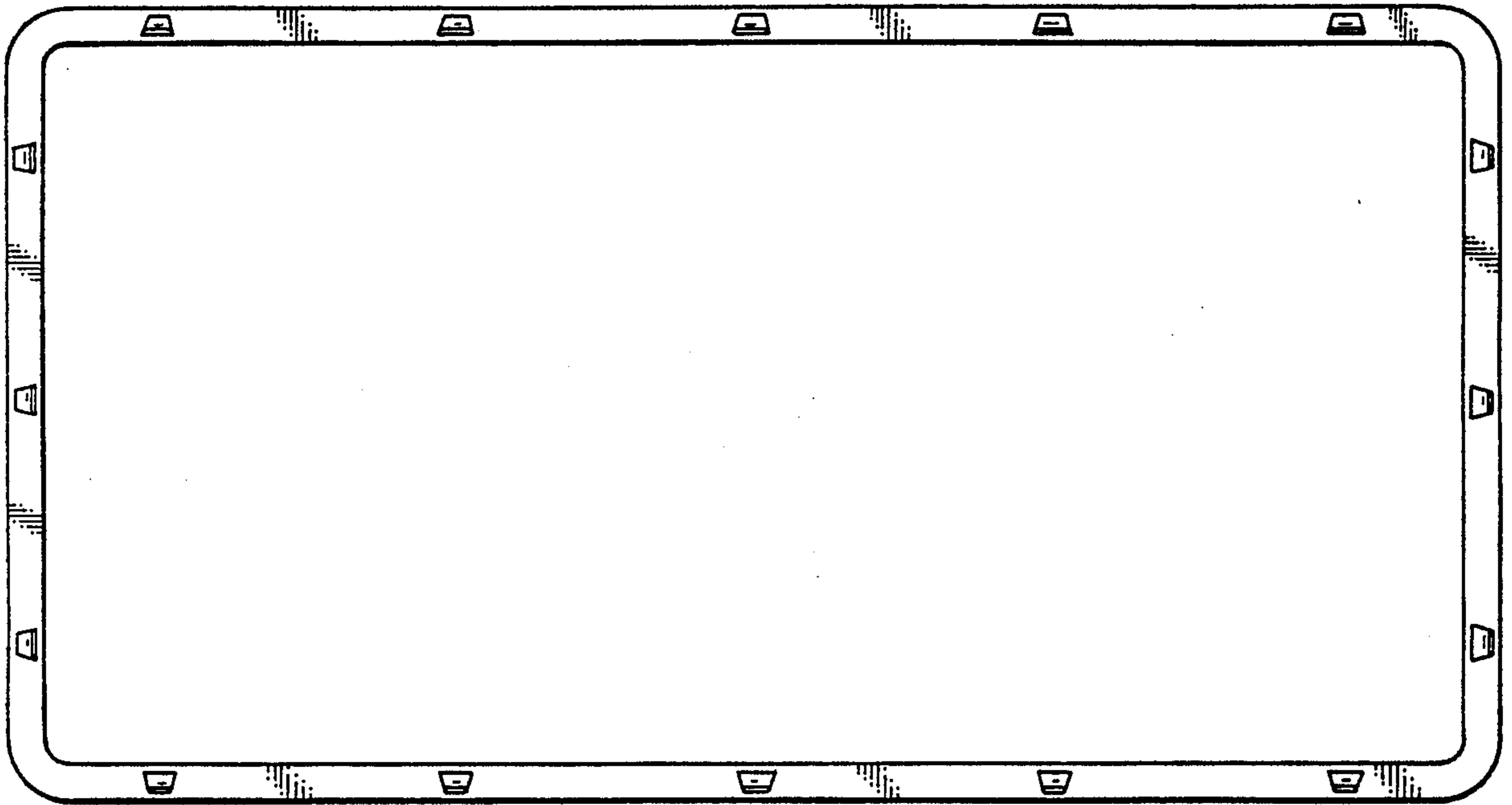
FIG. 1 is a side elevational view of a reinforcing ring for a container showing my new design, the opposite side view being a mirror image of that shown;  
 FIG. 2 is a top plan view thereof;  
 FIG. 3 is a top perspective view thereof;  
 FIG. 4 is a cross sectional view thereof taken along the line 4—4 of FIG. 3;  
 FIG. 5 is a side elevational view thereof, wherein the reinforcing ring is attached to the container of a conventional shopping cart basket;  
 FIG. 6 is a side elevational view thereof, wherein the reinforcing ring is attached to the container of the over-the-counter shopping cart basket;  
 FIG. 7 is a side elevational view thereof, wherein the reinforcing ring is attached to the scanner shopping cart basket; and  
 FIG. 8 is a side elevational view thereof, wherein the reinforcing ring is attached to the milk crate.  
 The broken lines shown in FIGS. 5, 6, 7 and 9 are for illustrative purposes only and form no part of the claimed design.



*FIG. 1.*



*FIG. 2.*



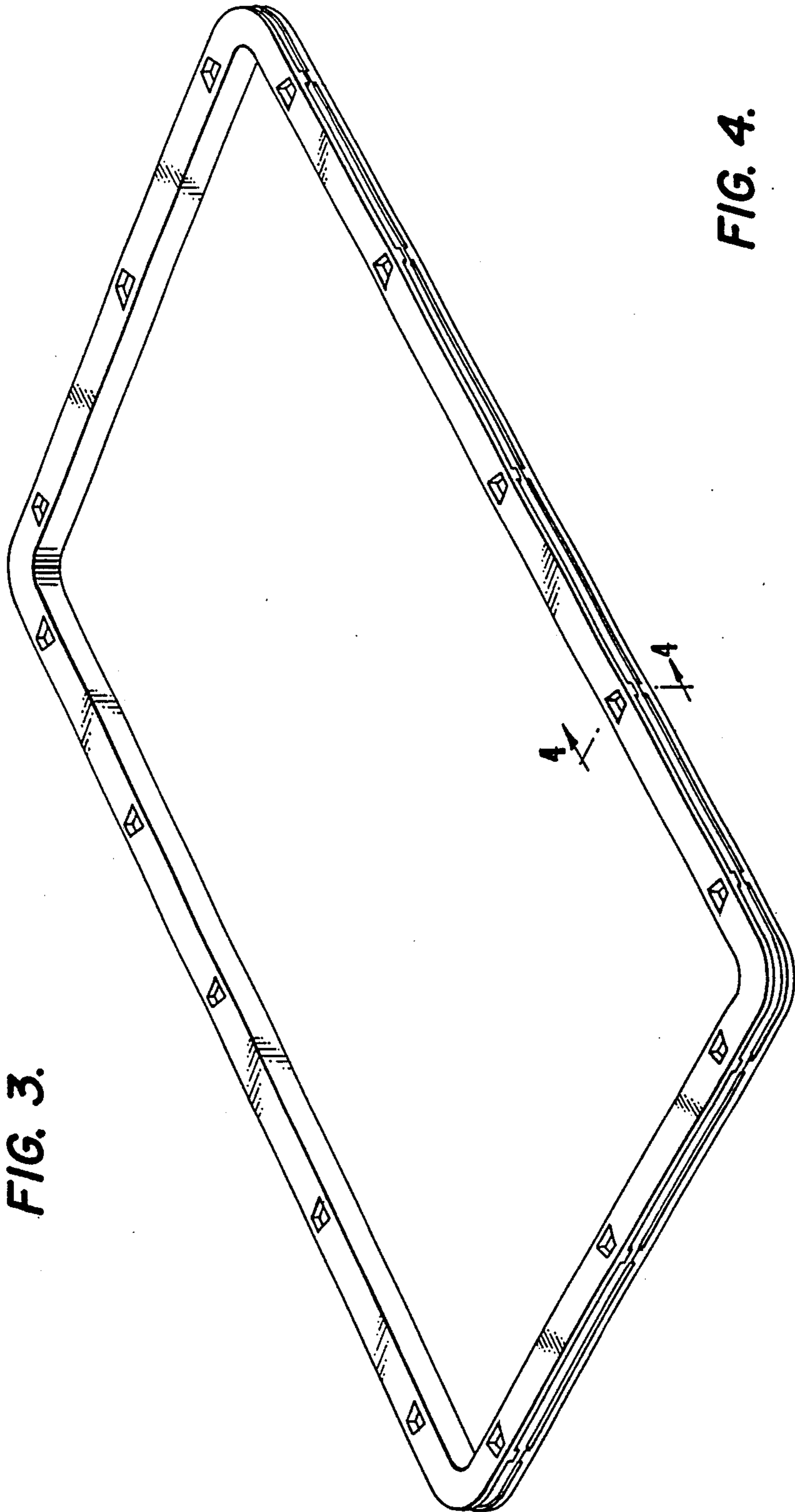


FIG. 4.

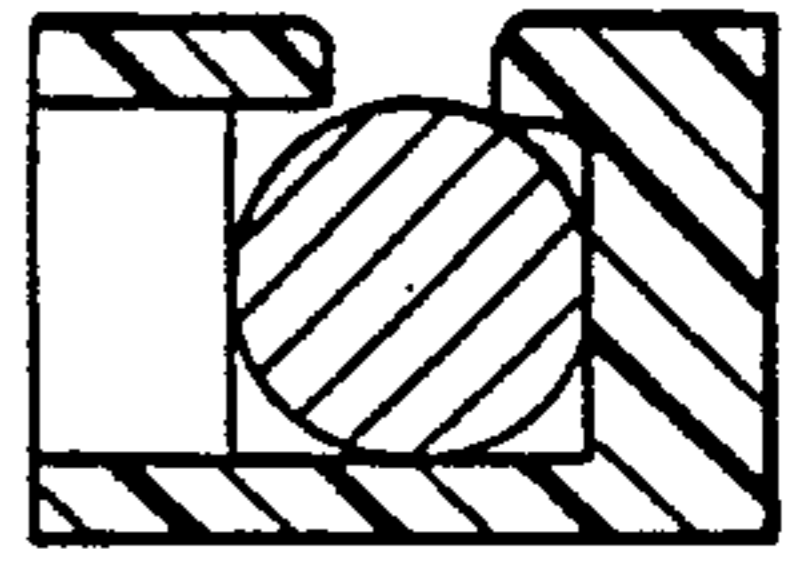


FIG. 6.

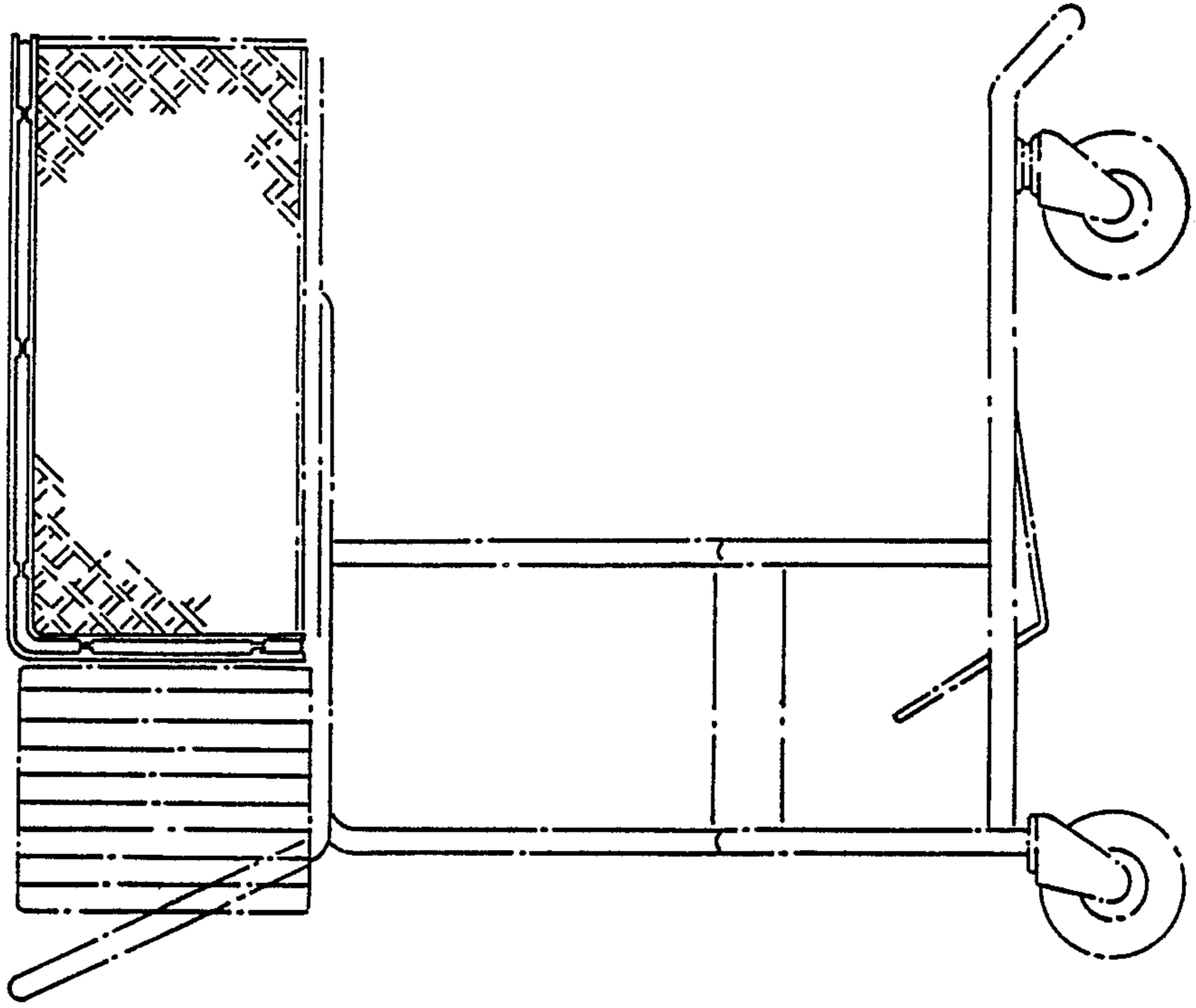


FIG. 5.

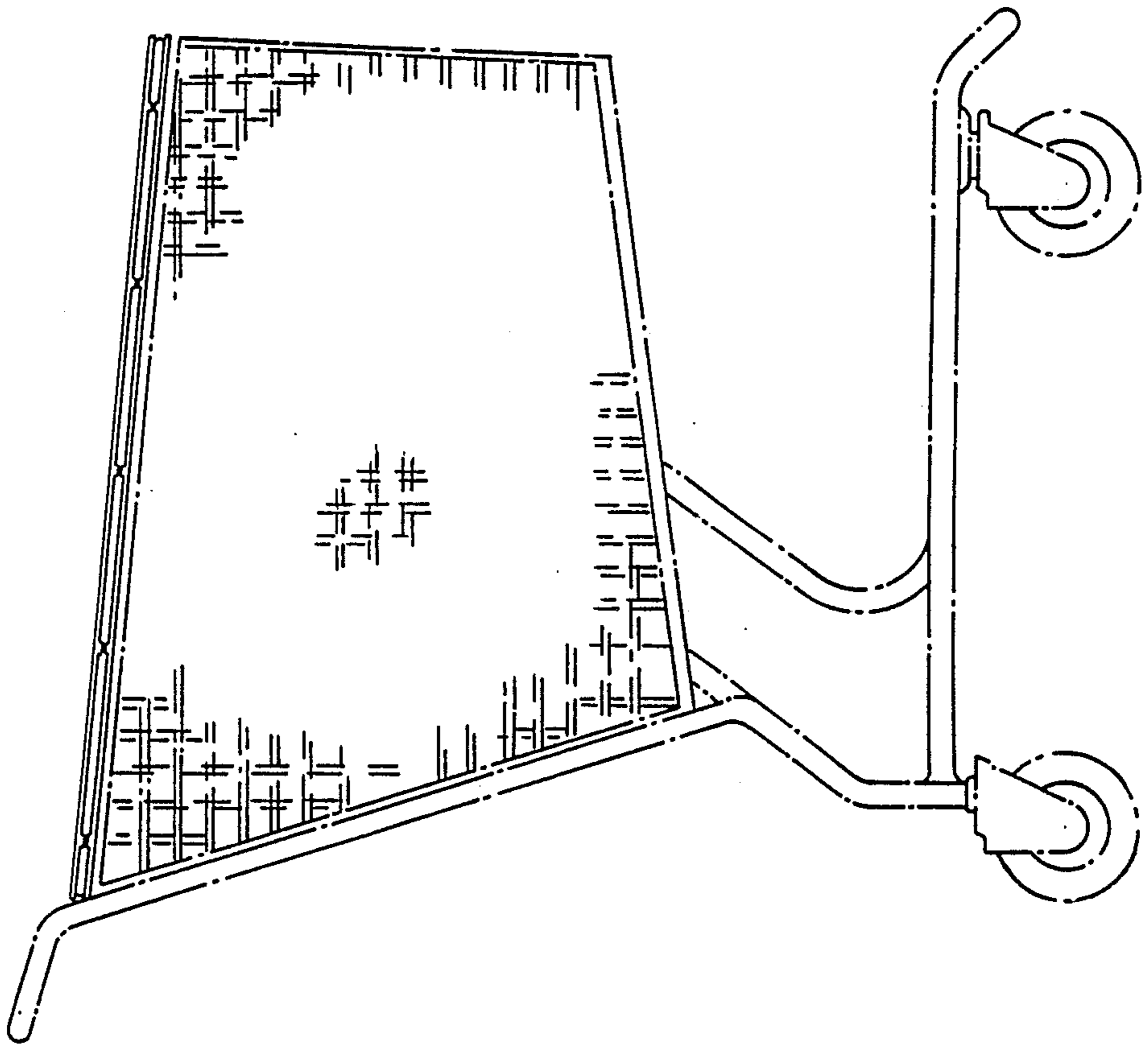




FIG. 7.

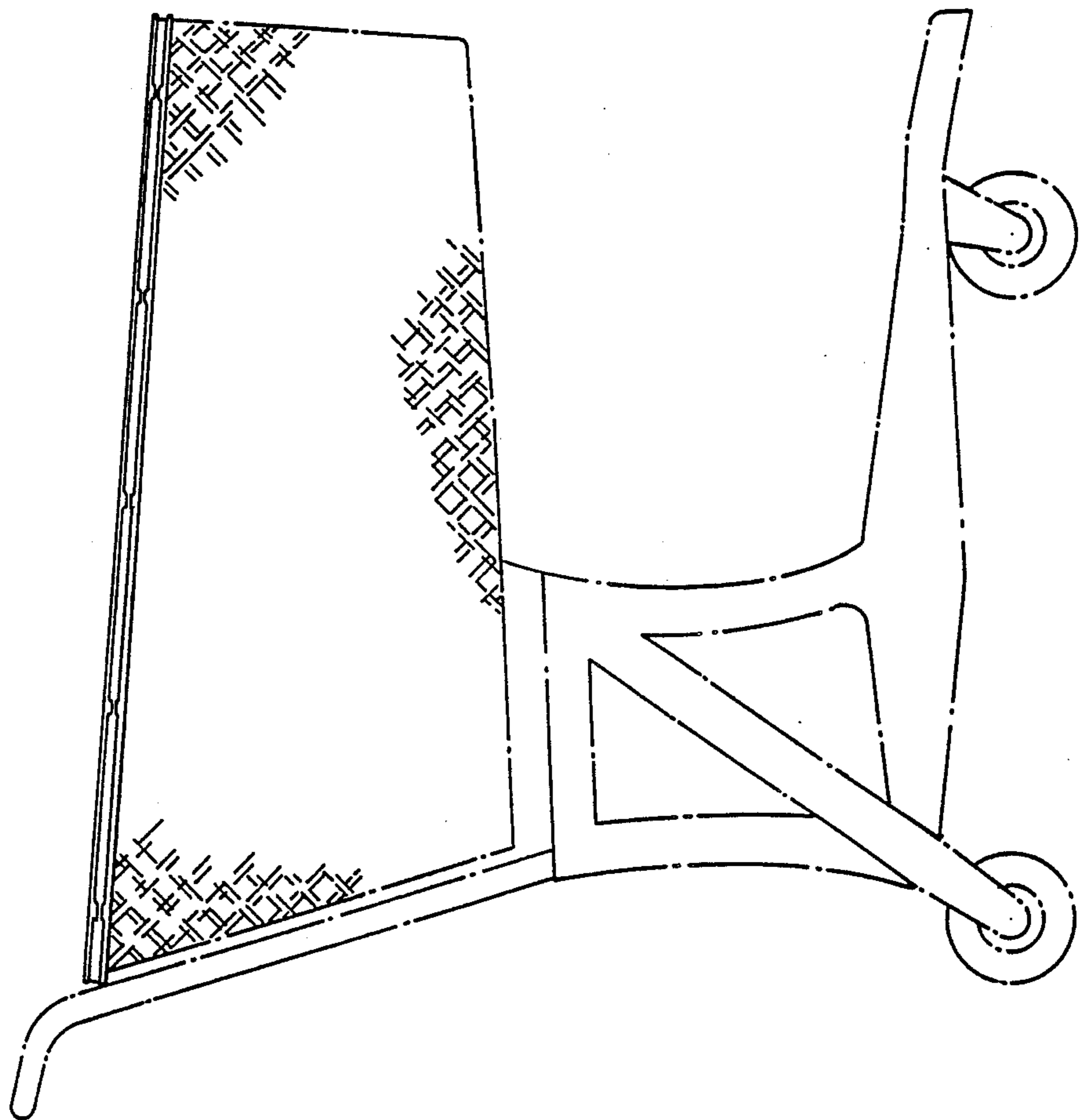


FIG. 8.

