

United States Patent [19]

Wentzel

[11] Patent Number: **Des. 311,979**

[45] Date of Patent: **** Nov. 6, 1990**

[54] **SUPPORT CHANNEL FOR A DRINKING SYSTEM FOR SMALL ANIMALS**

[75] Inventor: **Willem K. Wentzel**, Barneveld, Netherlands

[73] Assignee: **IMPEX-Barneveld B.V.**, Barneveld, Netherlands

[**] Term: **14 Years**

[21] Appl. No.: **415,545**

[22] Filed: **Oct. 2, 1989**

[52] U.S. Cl. **D25/122; D30/132; D23/266**

[58] Field of Search **D25/122, 124; D30/121, D30/122, 124, 131, 132, 133; 119/51.11, 51.01, 51.02, 51.5, 51.12, 52.1, 52.4, 53, 57, 58, 57.92, 59, 61, 72, 74; D11/156; D23/266; 138/DIG. 11, 172, 177, 178**

[56] **References Cited**

U.S. PATENT DOCUMENTS

D. 237,485	11/1975	Lundberg	D25/124
D. 256,683	9/1980	Merritt	D11/156
315,958	4/1885	Overman et al.	D25/122
601,966	4/1898	Ivins	138/177
800,055	9/1905	Ayres	D25/122
1,023,163	4/1912	Motley	138/172
1,154,955	9/1915	Wills	138/172
2,184,113	12/1939	Calafati	D25/122
2,960,965	11/1960	Cordis	119/51.5

3,166,100	1/1965	Tiola	D25/122
3,304,070	2/1967	Jones	138/177
3,644,962	2/1972	Hachtel	D25/122
4,061,354	12/1977	Blum	138/DIG. 11

FOREIGN PATENT DOCUMENTS

548630	11/1957	Canada	119/51.5
100350	11/1940	Sweden	119/52.1
263050	12/1926	United Kingdom	119/61

Primary Examiner—A. Hugo Word
Assistant Examiner—CathyAnne MacCormac
Attorney, Agent, or Firm—Graham, Campaign & McCarthy

[57] **CLAIM**

The ornamental design for a support channel for a drinking system for small animals, as shown and described.

DESCRIPTION

FIG 1 is a perspective view taken from one end of a support channel for a drinking system for small animals showing my new design;
FIG. 2 is a side elevational view thereof, the opposite side being identical to the side shown;
FIG. 3 is a bottom plan view thereof;
FIG. 4 is a top plan view thereof; and
FIG. 5 is an end elevational view thereof, the opposite end being identical to the end shown.
The support channel in FIGS. 2, 3 and 4 is broken away to indicate indeterminate length.

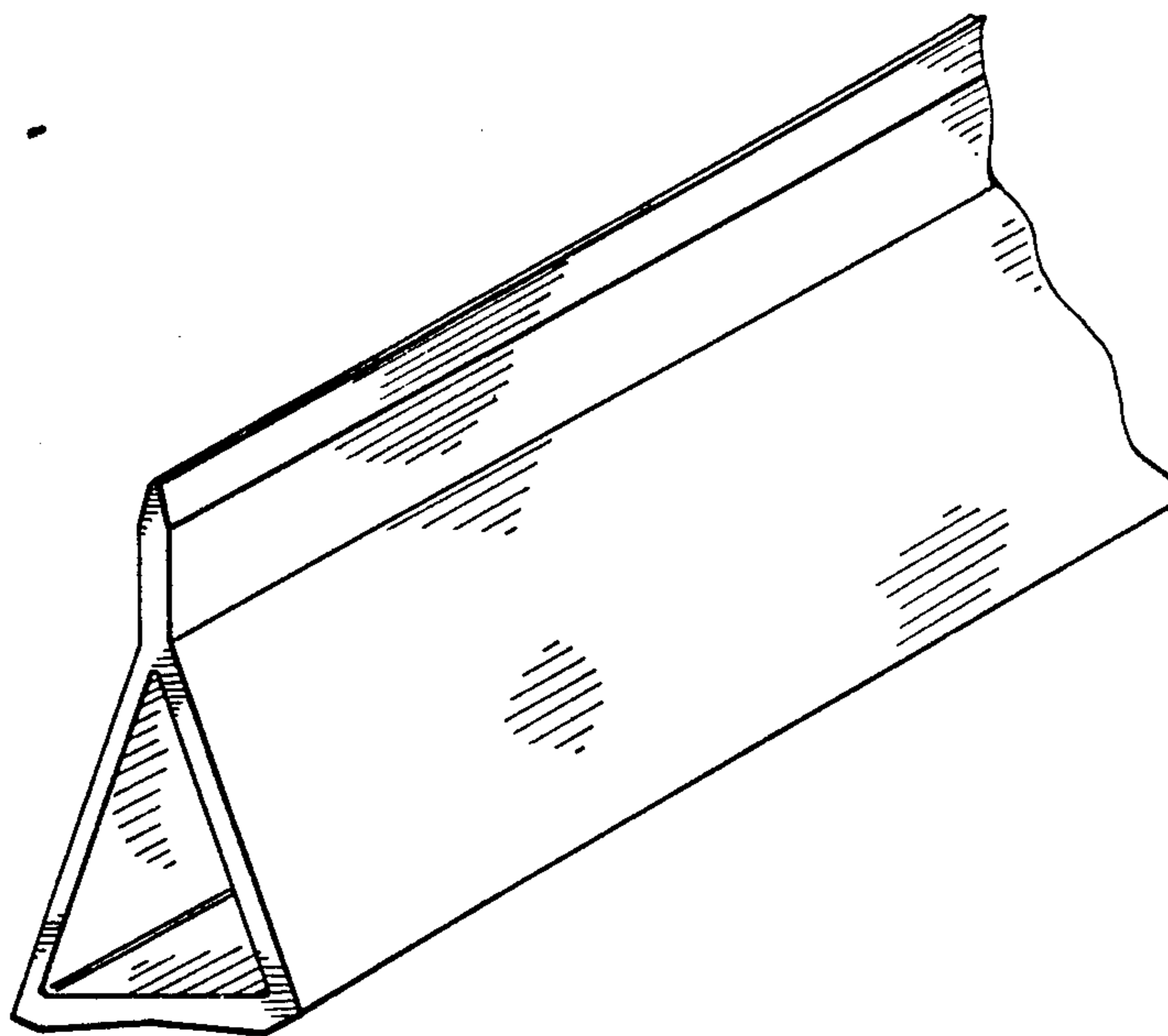


FIG. 1

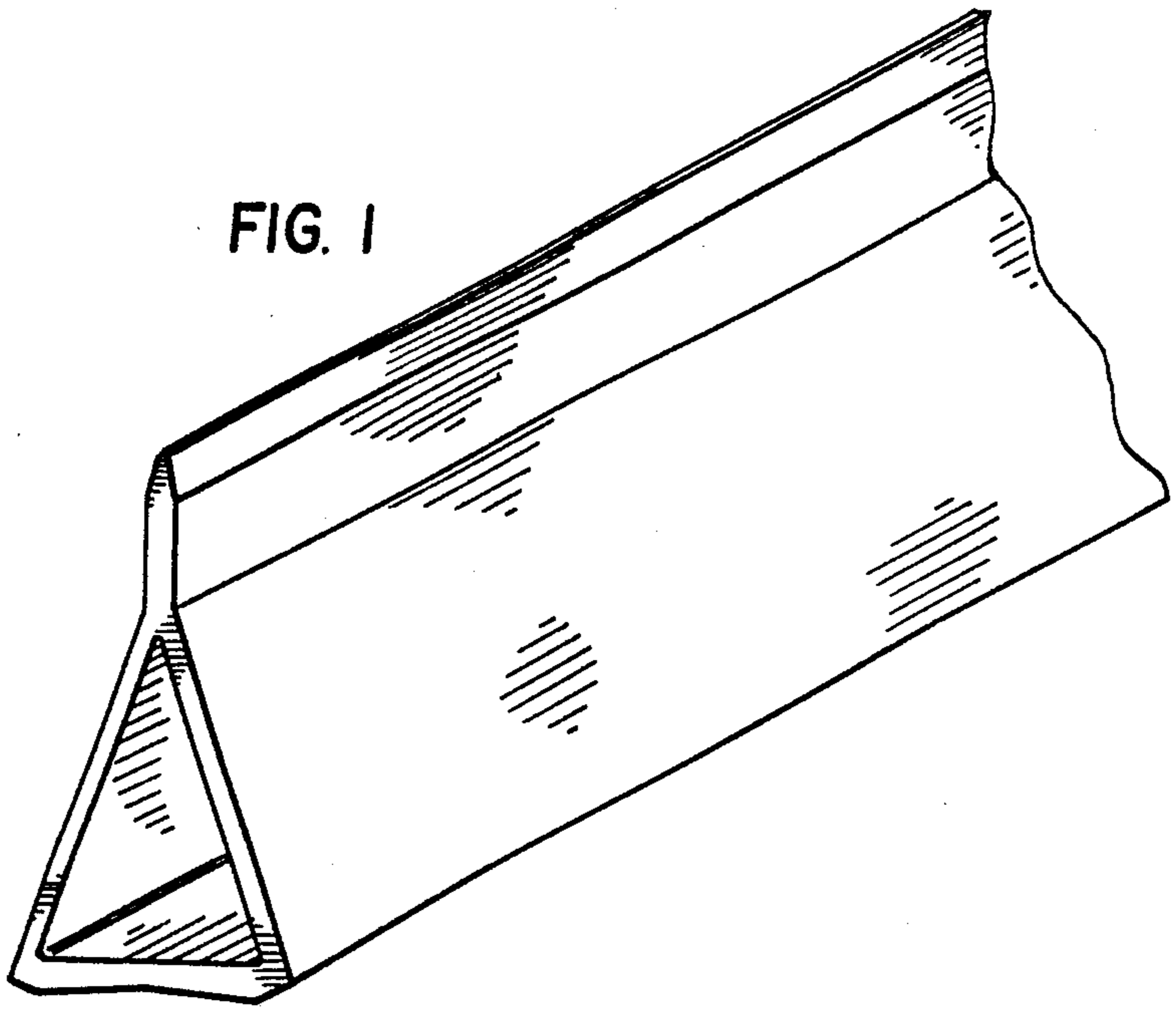


FIG. 5

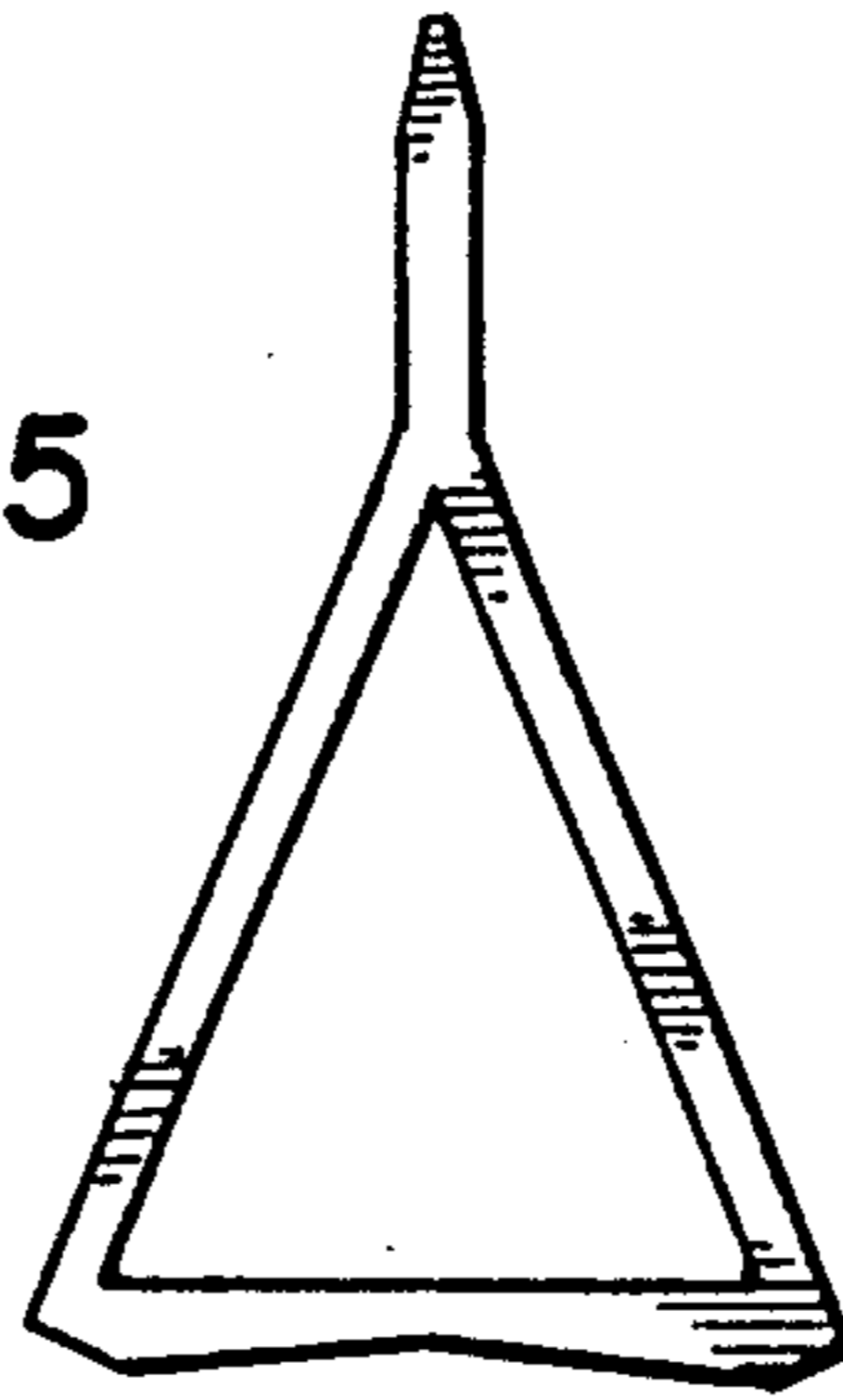


FIG. 2

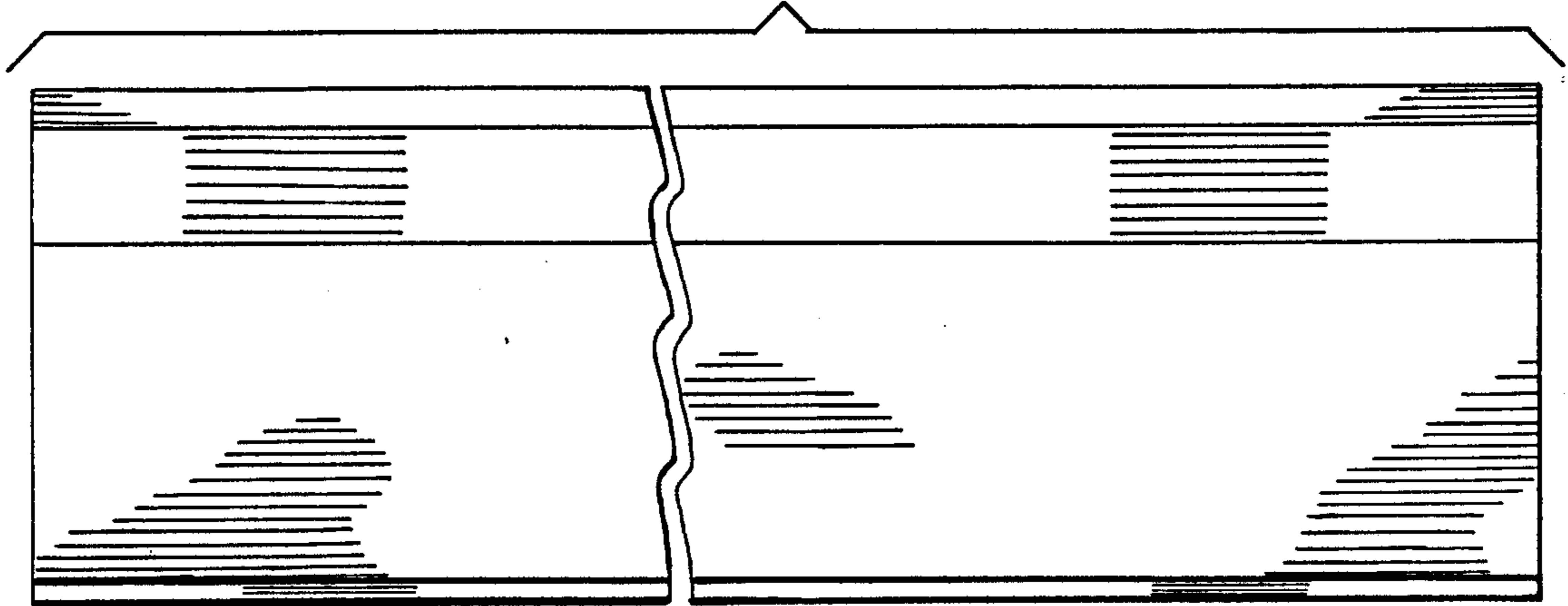


FIG. 3

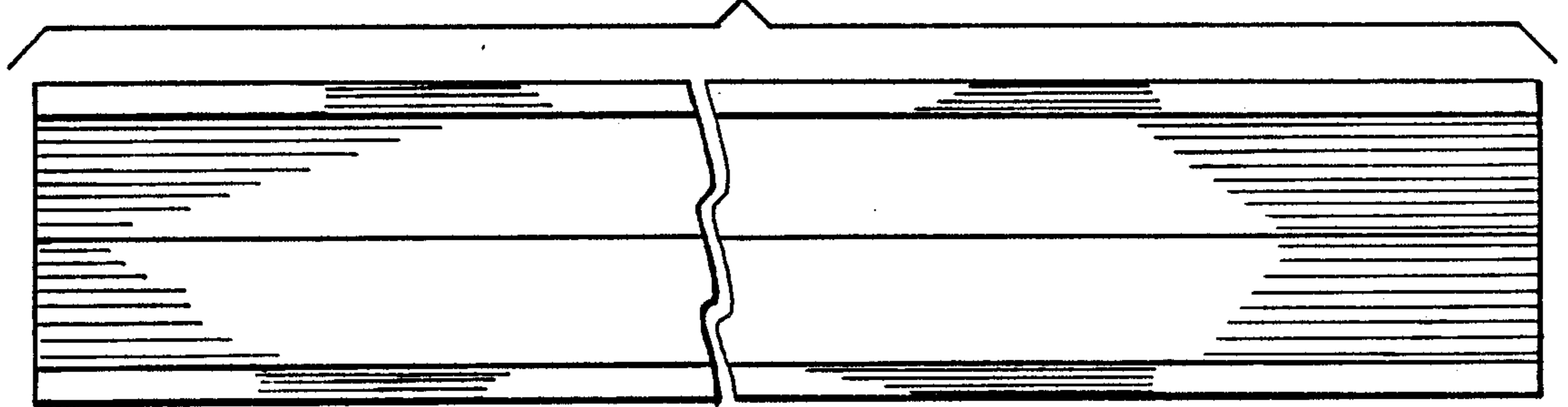


FIG. 4

