

[54] ELECTRIC SHAVER

[75] Inventor: Shunji Izumi, Matsumoto, Japan

[73] Assignee: Izumi Seimitsu Kogyo Kabushiki Kaisha, Nagano, Japan

[**] Term: 14 Years

[21] Appl. No.: 275,557

[22] Filed: Nov. 23, 1988

[30] Foreign Application Priority Data

Jun. 21, 1988 [JP] Japan 63-24553

[52] U.S. Cl. D28/50

[58] Field of Search D28/49-54;
30/45, 85-86, 44, 29.5, 34 R, 34.1, 42, 43,
43.4-43.92, 346.51

[56] References Cited

U.S. PATENT DOCUMENTS

D. 246,731 12/1977 Alister D28/50

D. 259,965 7/1981 Oord D28/50

D. 284,224 6/1986 Izumi D28/50

D. 286,090 10/1986 Oord D28/50

D. 293,138 12/1987 Oord D28/50

D. 297,772 9/1988 Izumi D28/50

Primary Examiner—B. J. Bullock

Assistant Examiner—Sandra Morris

[57] CLAIM

The ornamental design for an electric shaver, as shown and described.

DESCRIPTION

FIG. 1 is a top front right perspective view of an electric shaver showing ny new design;

FIG. 2 is a top, rear left perspective view thereof;

FIG. 3 is a front elevational view thereof;

FIG. 4 is a rear elevational view thereof;

FIG. 5 is a right side elevational view thereof;

FIG. 6 is a top plan view thereof; and

FIG. 7 is a bottom plan view thereof.

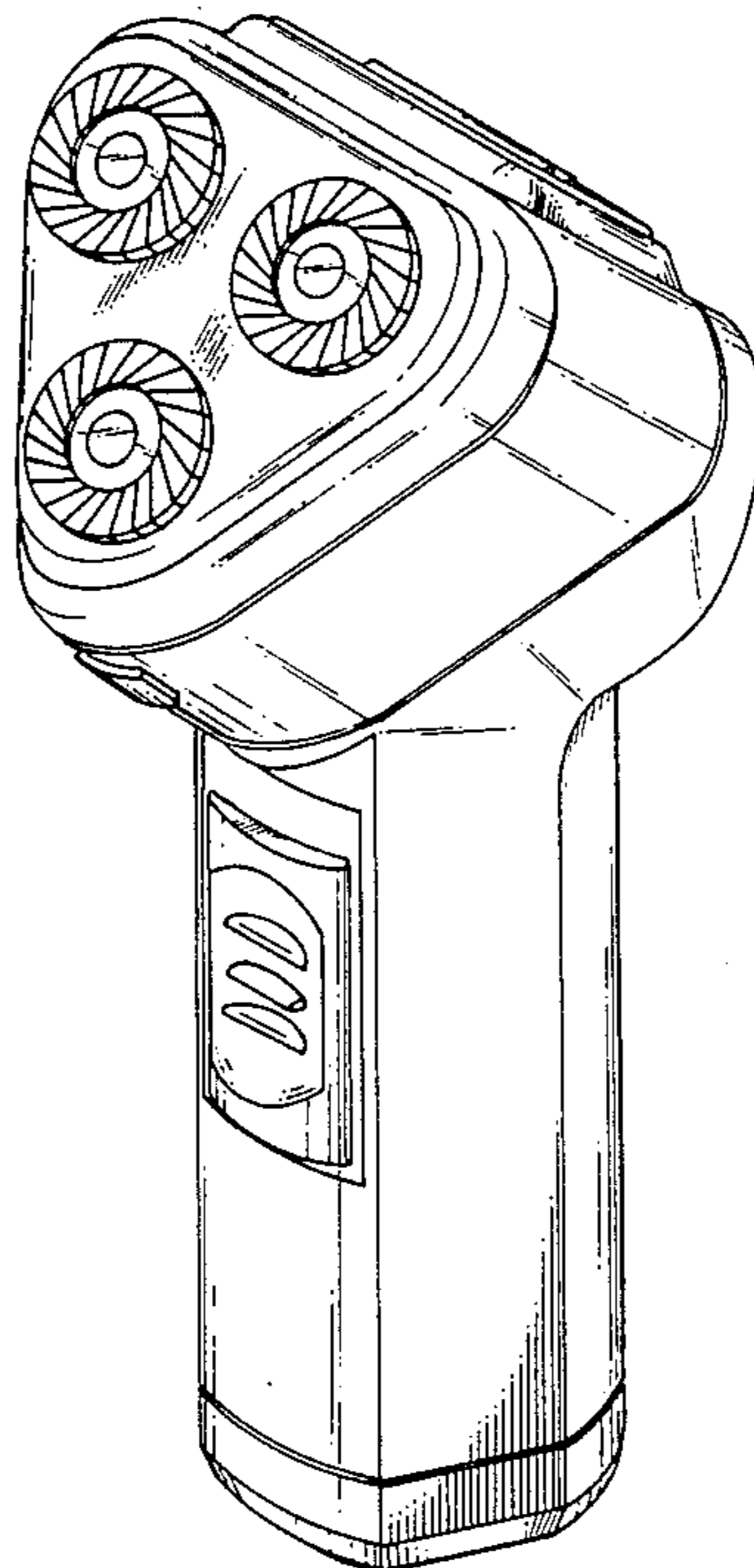


Fig.1

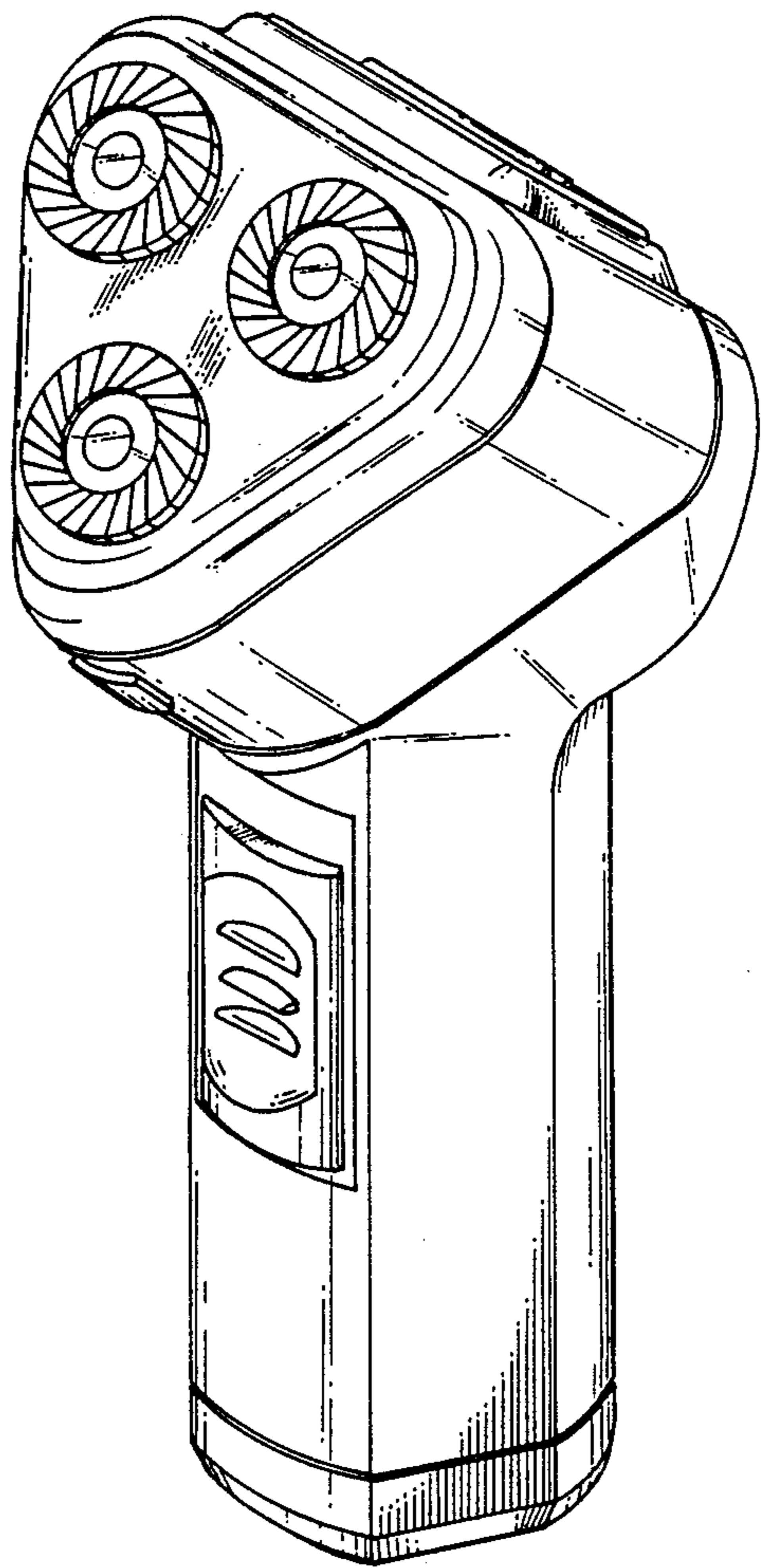


Fig.2

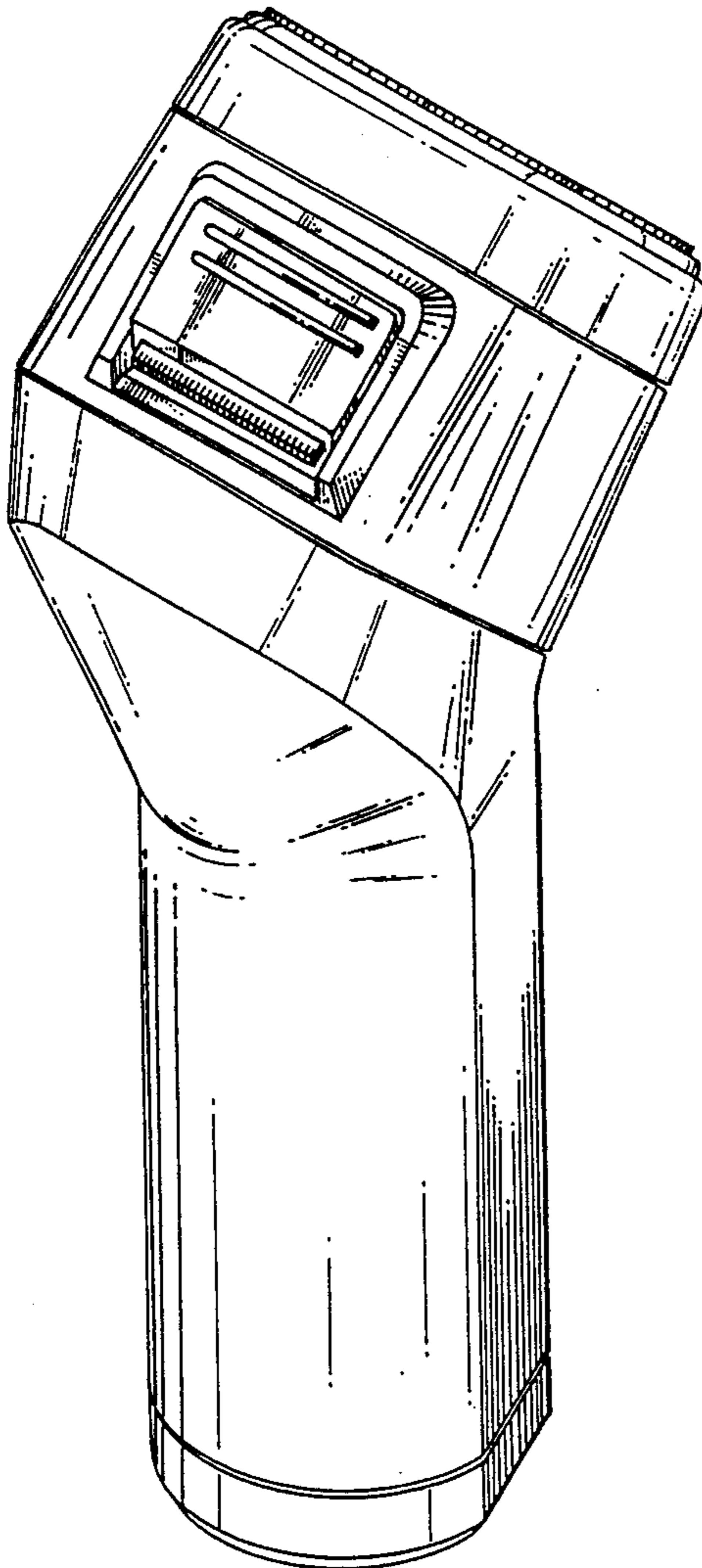


Fig.3

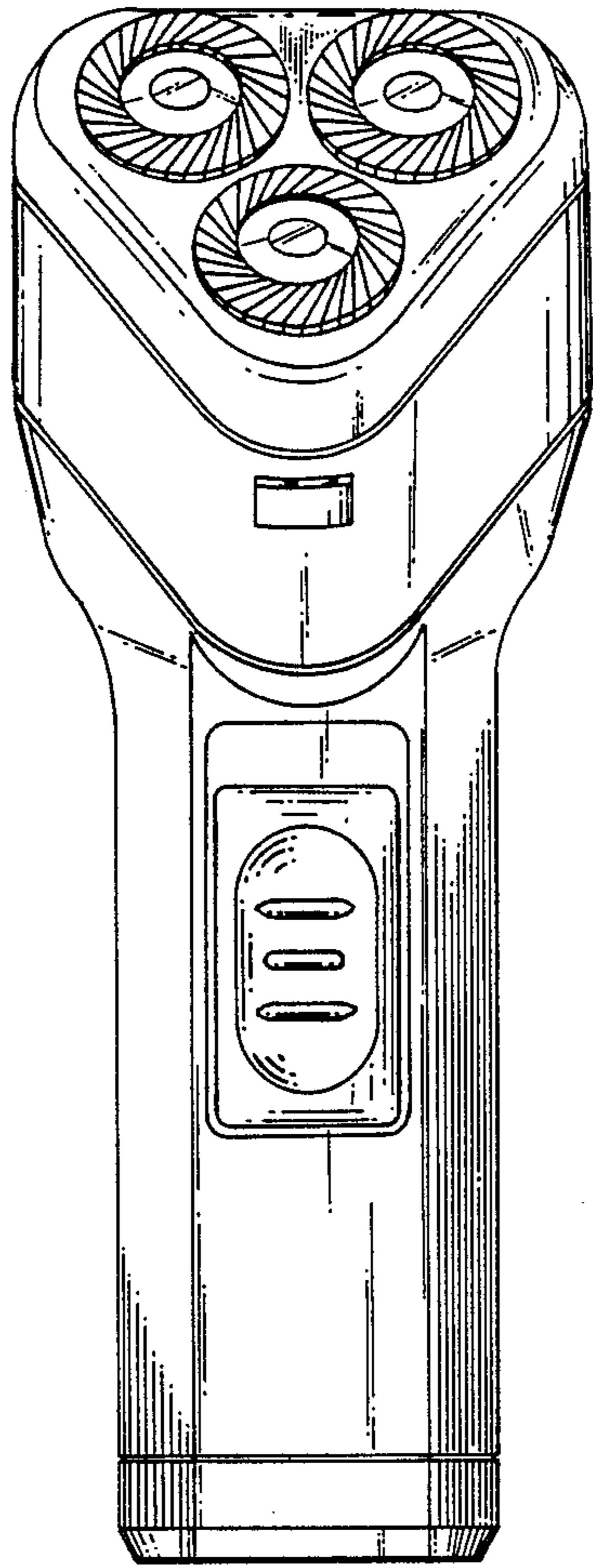


Fig.4

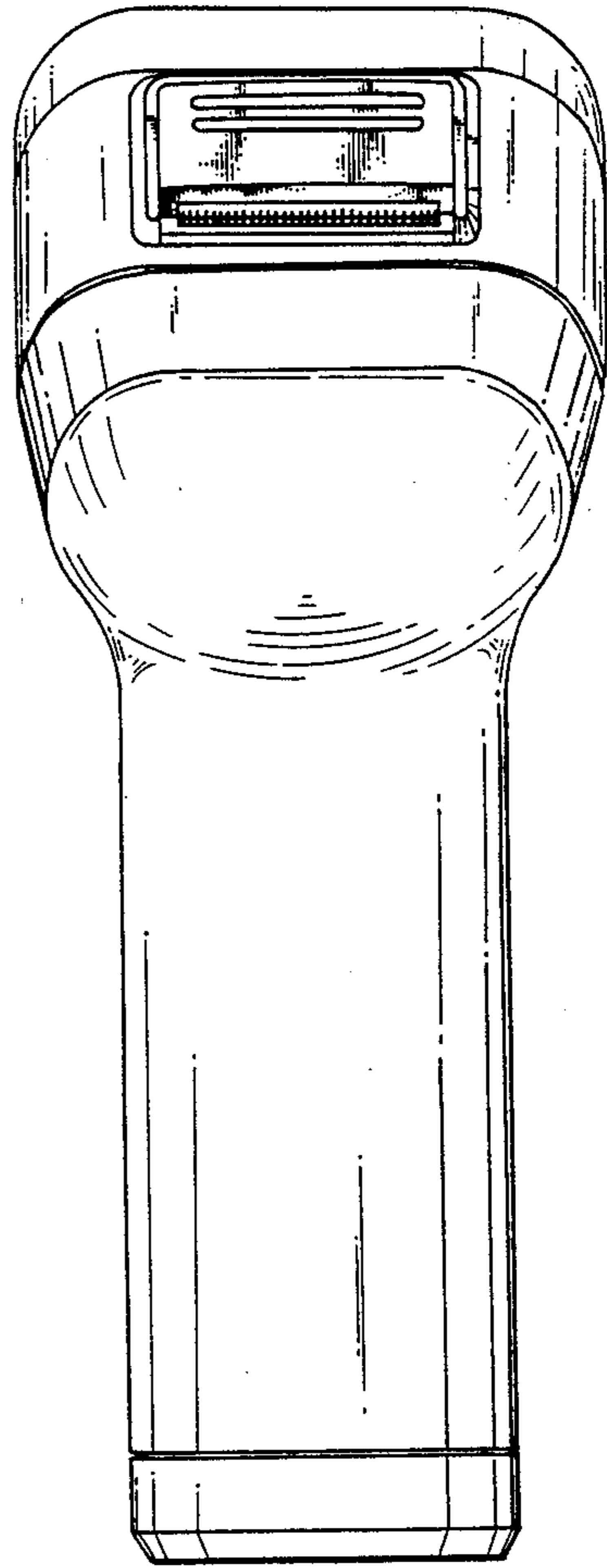


Fig 5

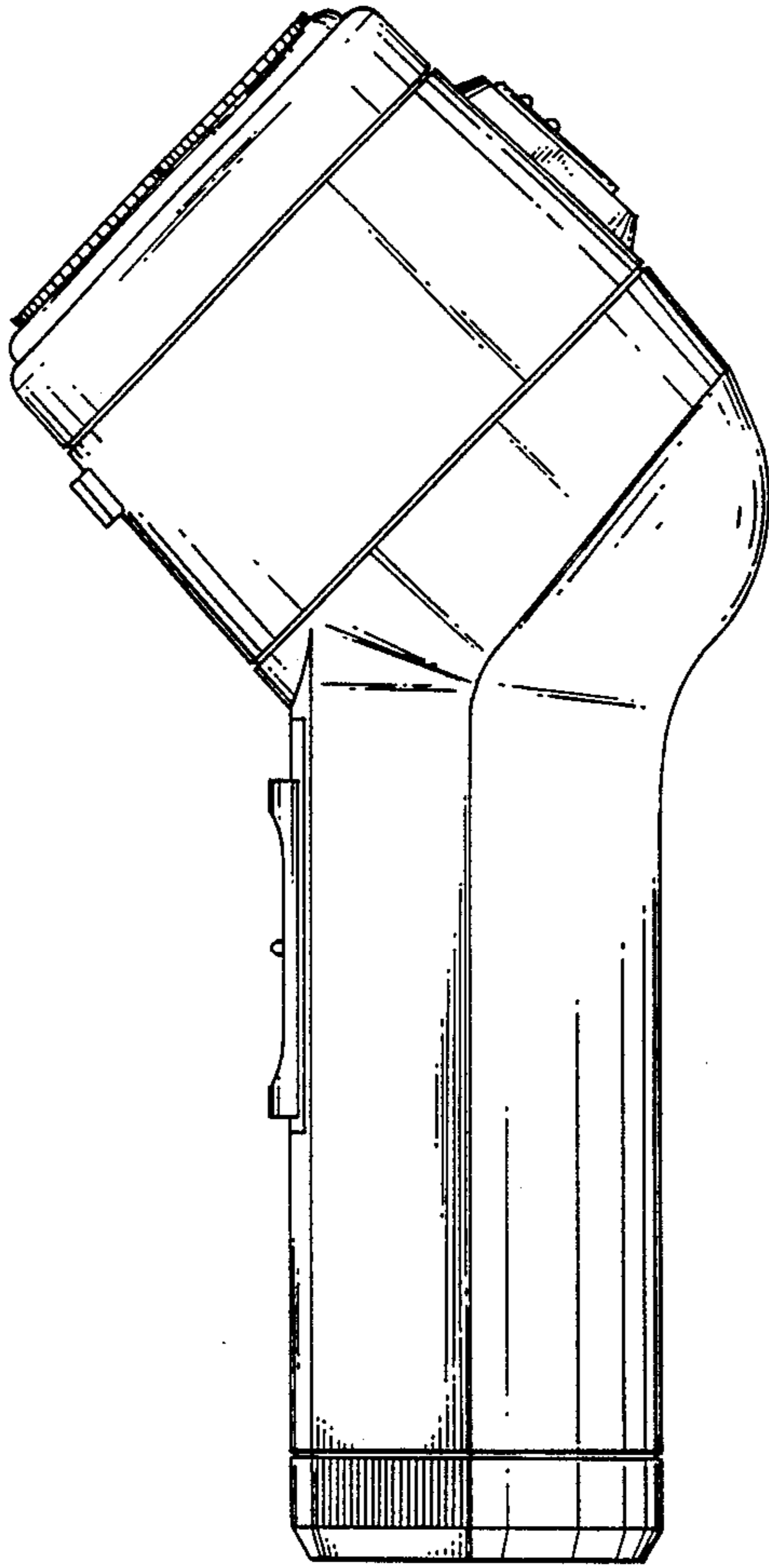


Fig 6

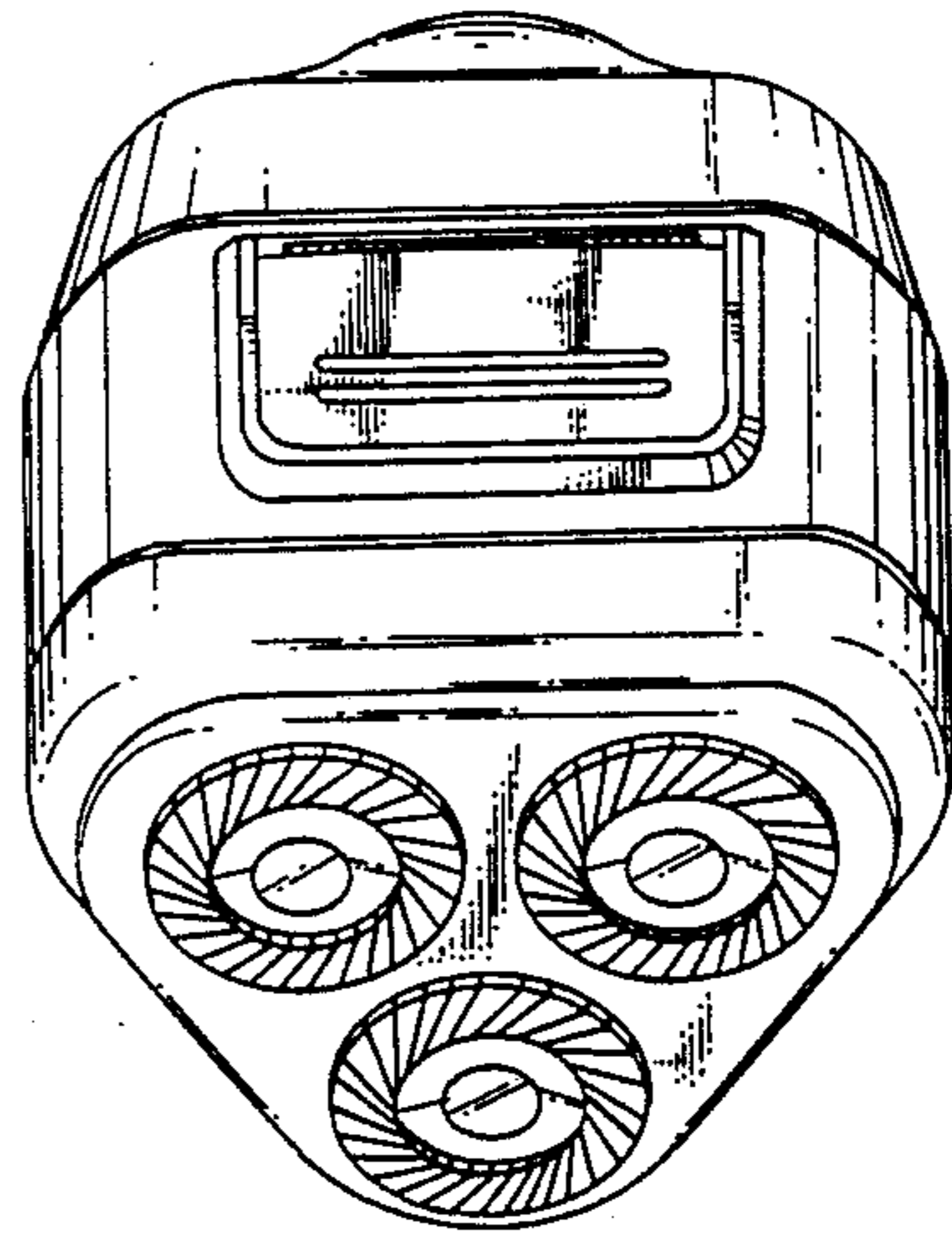


Fig 7

