

[54] LUMINAIRE

[75] Inventors: Edward Bilson, Memphis, Tenn.;
Jack Seay, Gainesville, Ga.

[73] Assignee: FL Industries, Livingston, N.J.

[**] Term: 14 Years

[21] Appl. No.: 110,481

[22] Filed: Oct. 19, 1987

[52] U.S. Cl. D26/67; D26/92

[58] Field of Search D26/67-71,
D26/72, 80-92; 362/431, 432, 267, 147, 362

[56] References Cited

U.S. PATENT DOCUMENTS

D. 200,343	2/1965	Izzi	D26/71
D. 277,701	2/1985	de Candia	D26/67
4,507,719	3/1985	Quioque	362/147 X

OTHER PUBLICATIONS

Lighting Design and Application, 1-1986, p. 6—Kenall Lighting Fixture.

Primary Examiner—Susan J. Lucas
Attorney, Agent, or Firm—Elliot M. Olstein; Raymond J. Lillie

[57] CLAIM

The ornamental design for a luminaire, as shown and described.

DESCRIPTION

FIG. 1 is a top plan view of a luminaire showing our new design;
 FIG. 2 is a right side elevational view thereof;
 FIG. 3 is a front elevational view thereof;
 FIG. 4 is a bottom plan view thereof;
 FIG. 5 is a rear elevational view thereof;
 FIG. 6 is a rear elevational view of a second embodiment of our new design;
 FIG. 7 is a bottom, rear perspective view of the first embodiment; and
 FIG. 8 is a bottom, rear perspective view of the second embodiment.

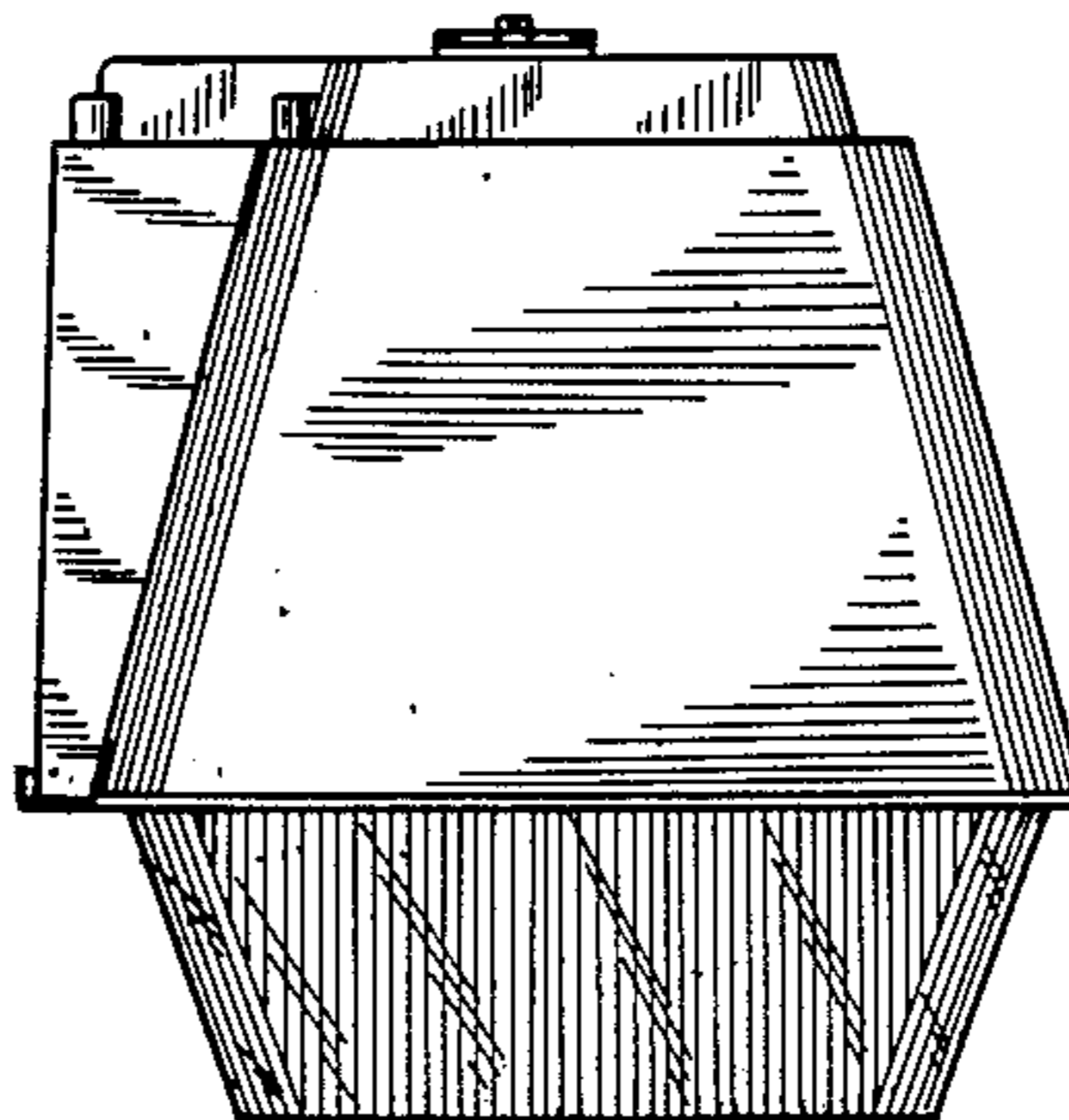
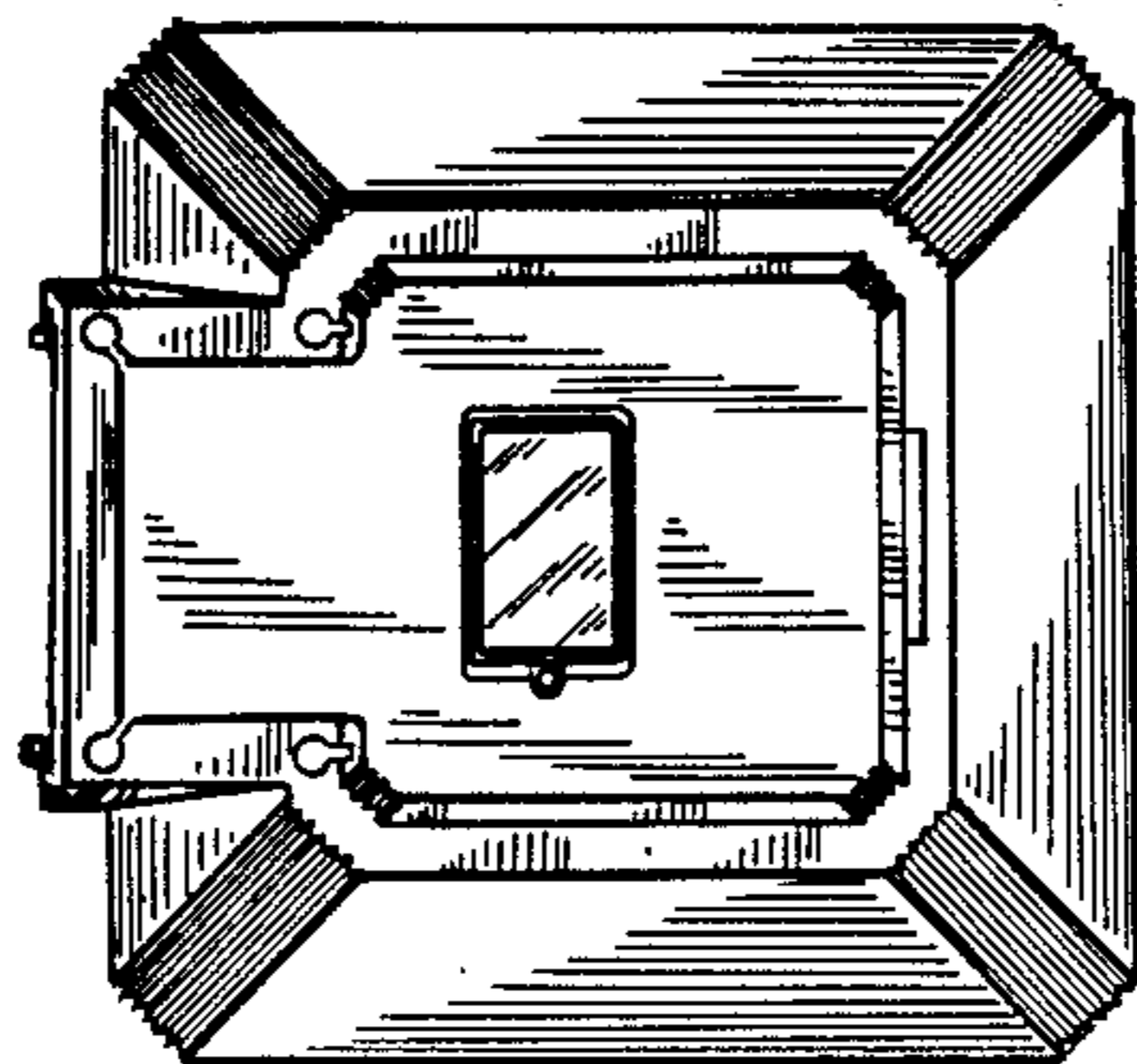


FIG. 1

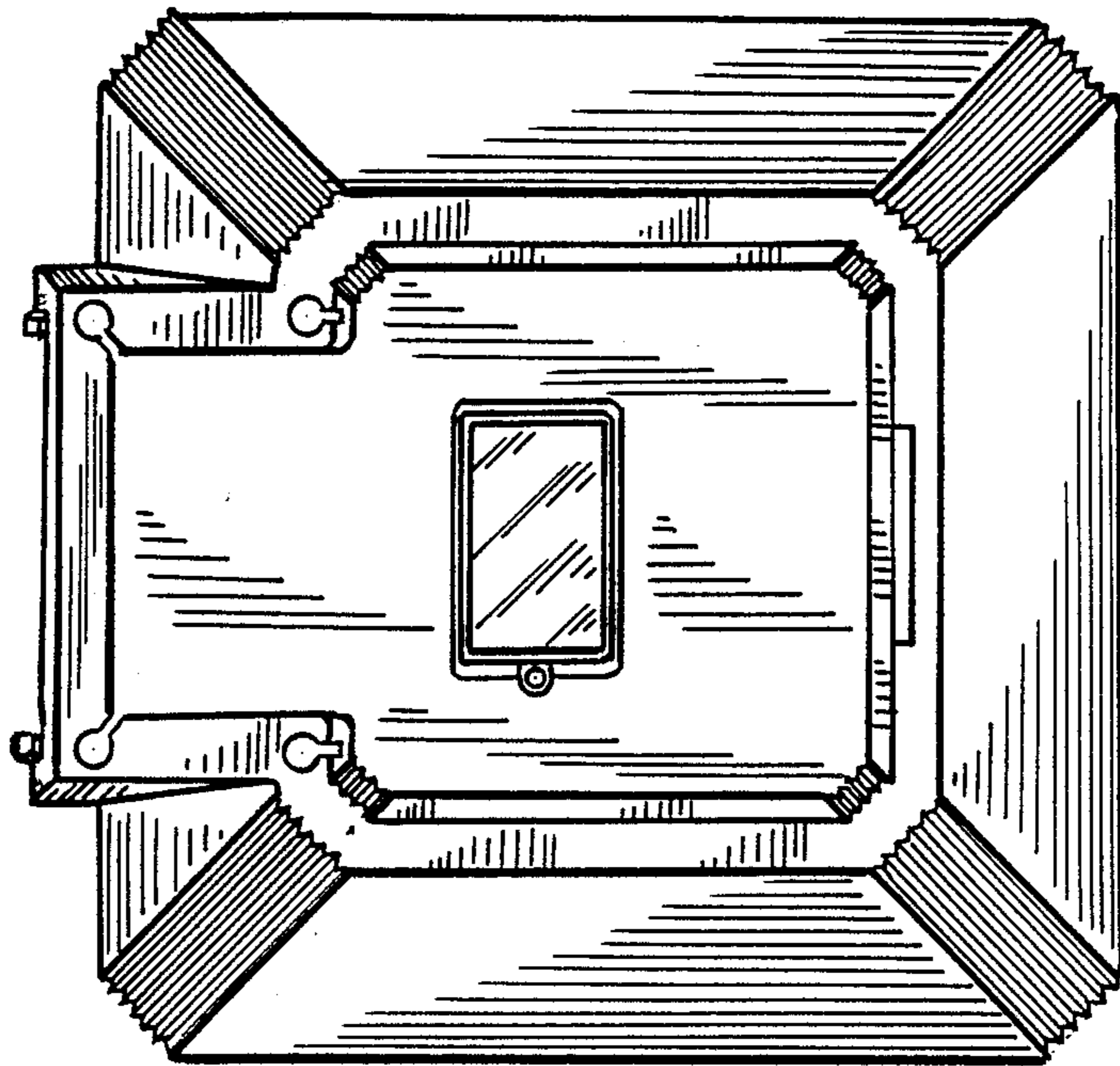


FIG. 2

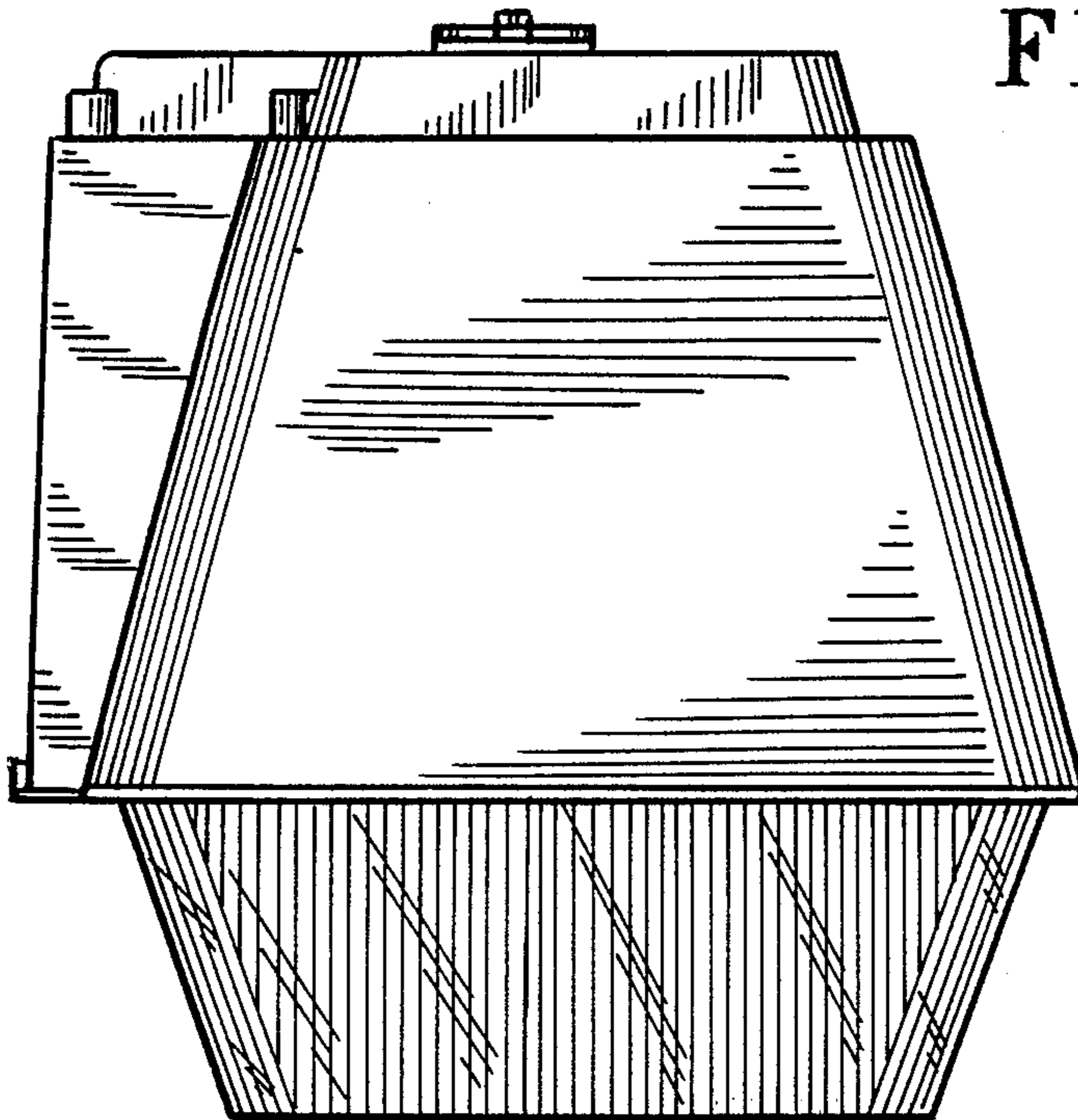


FIG. 3

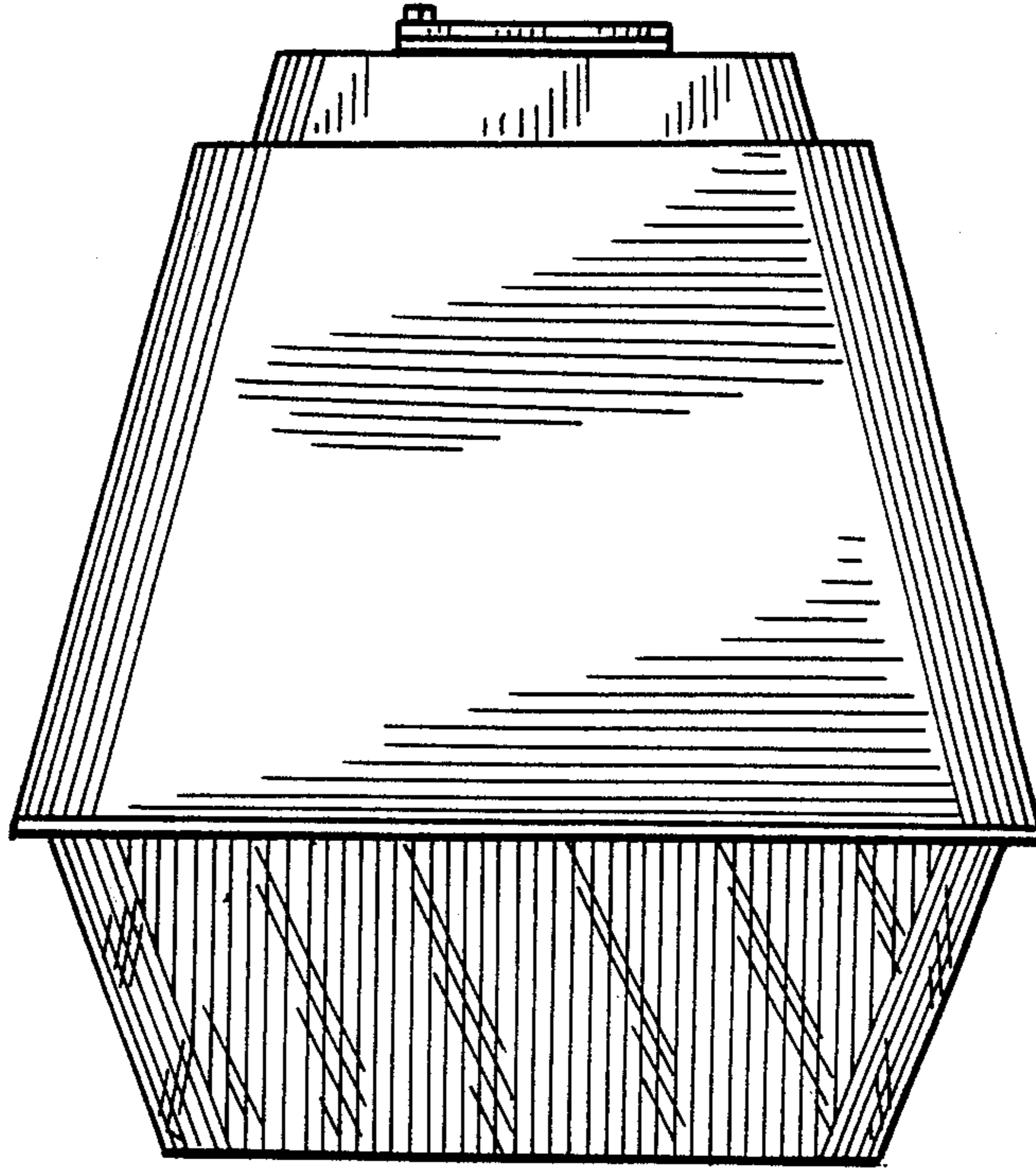


FIG. 4

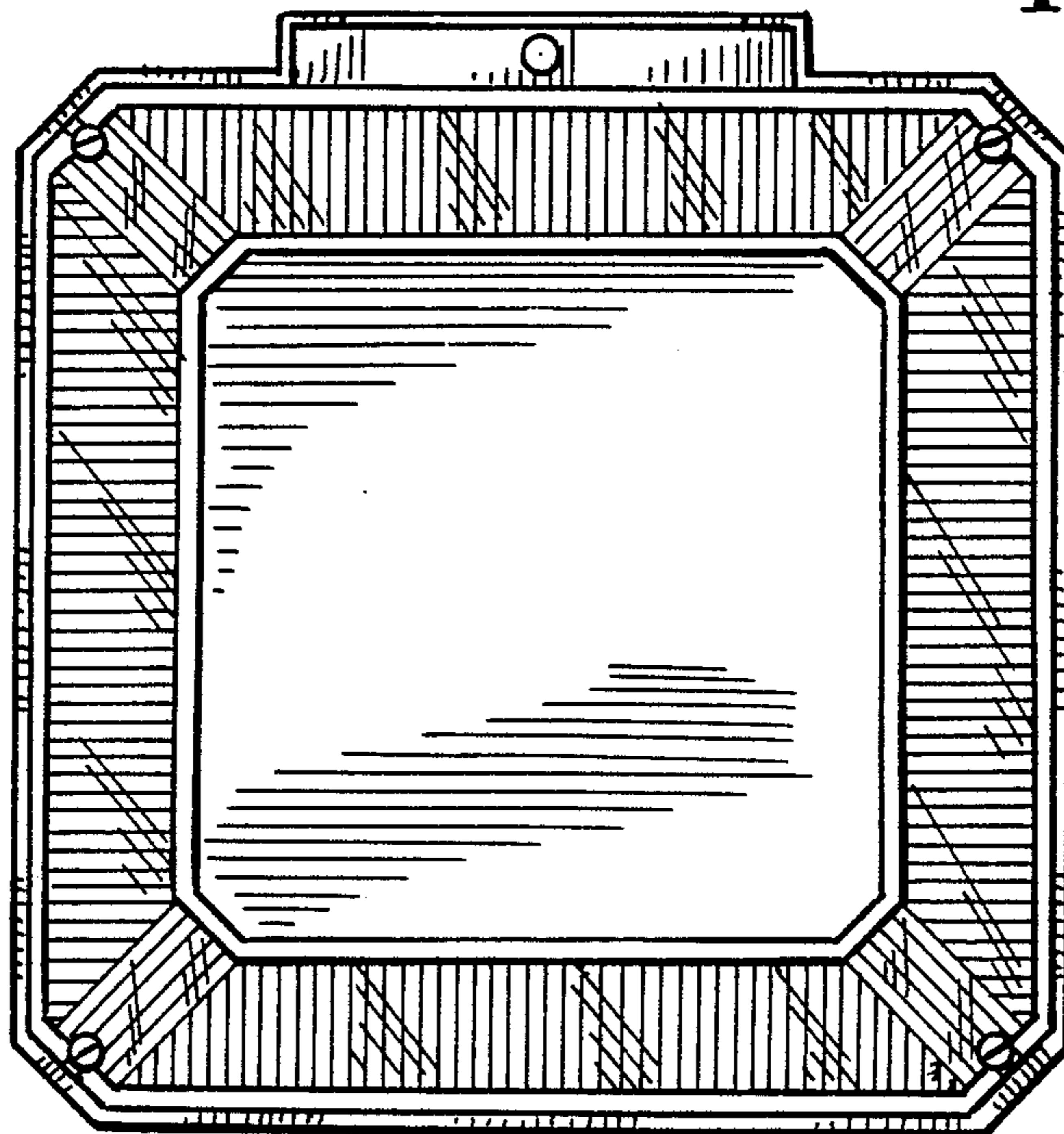


FIG. 5

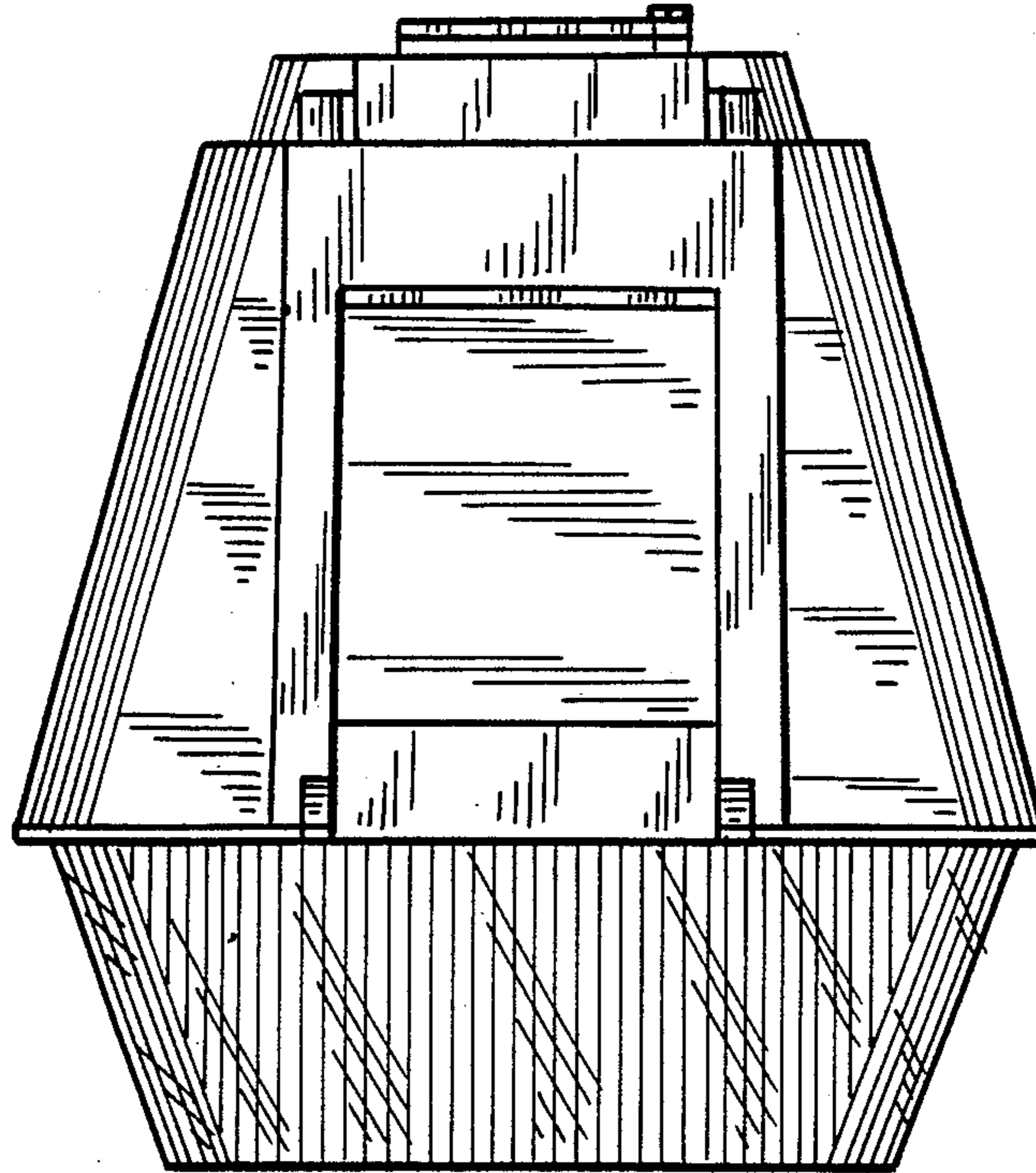


FIG. 6

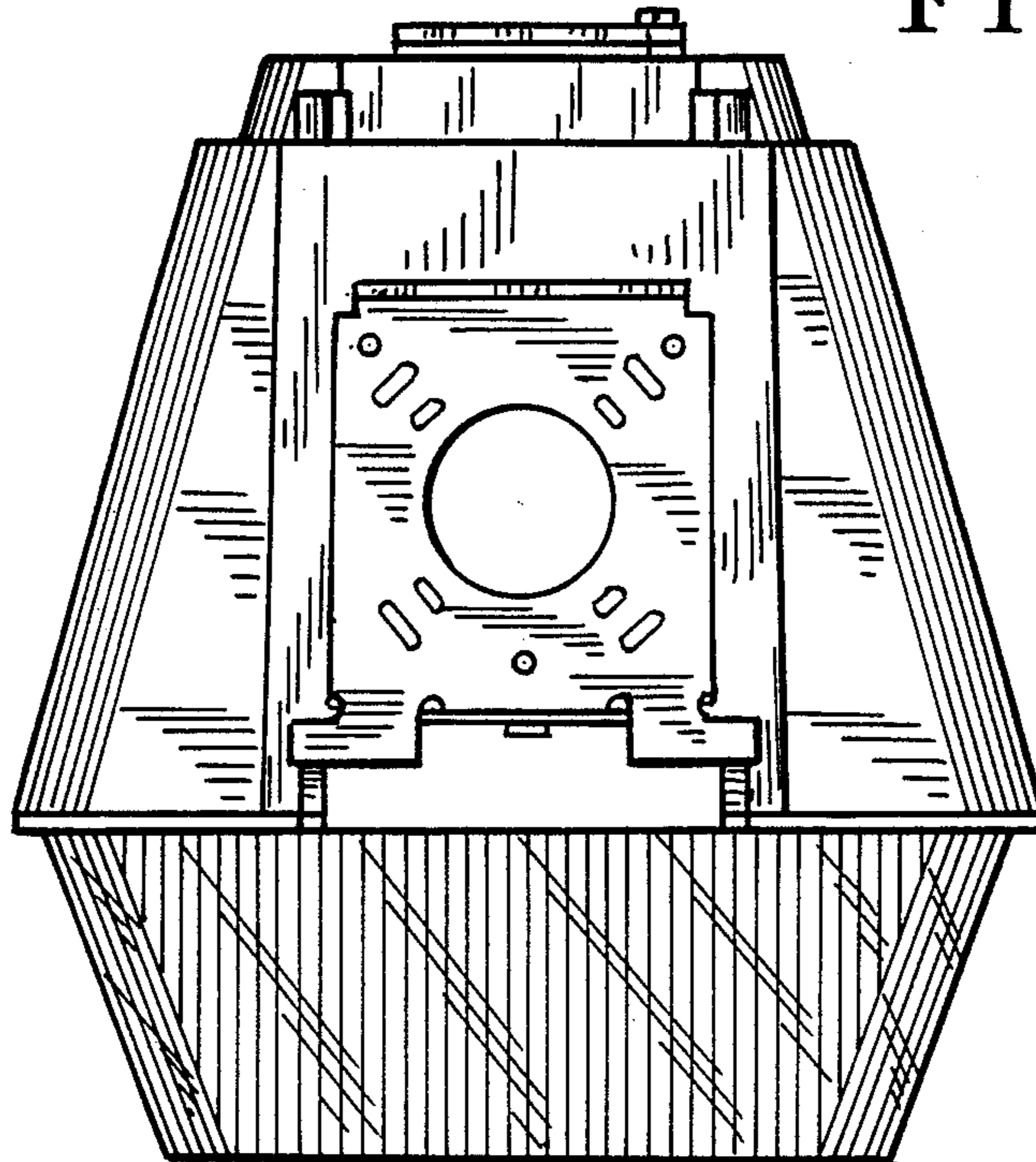


FIG. 7

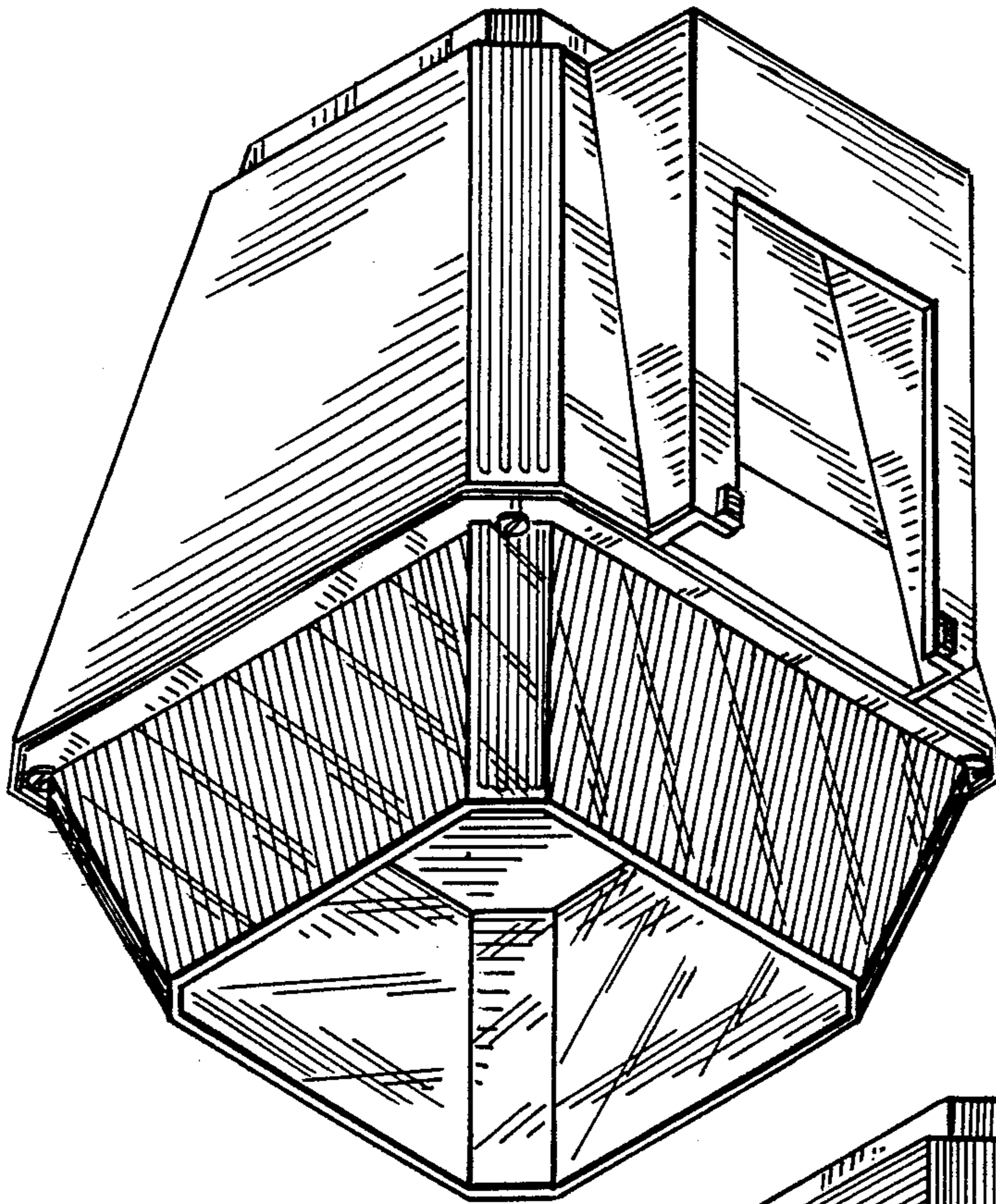


FIG. 8

