

[54] **FLUORESCENT LANTERN**

[75] **Inventor: Albert Wan, Tsuen Wan, Hong Kong**

[73] **Assignee: Fee Tat Plastic Factory Limited,
Hong Kong**

[**] **Term: 14 Years**

[21] **Appl. No.: 91,252**

[22] **Filed: Aug. 31, 1987**

[52] **U.S. Cl. D26/40**

[58] **Field of Search D26/37-50;
362/157-158, 183-208**

[56] **References Cited**

U.S. PATENT DOCUMENTS

- | | | | | |
|------------|---------|---------|-------|-----------|
| D. 286,204 | 10/1986 | Poon | | D26/42 |
| D. 296,010 | 5/1988 | Wan | | D26/40 X |
| 4,663,697 | 5/1987 | Stearns | | 362/186 X |

OTHER PUBLICATIONS

Hong Kong Enterprise Item 2220, 11/86, p. 241.

Primary Examiner—Susan J. Lucas

Assistant Examiner—M. H. Tung

Attorney, Agent, or Firm—Majestic, Parsons, Siebert & Hsue

[57] **CLAIM**

The ornamental design for a fluorescent lantern, as shown and described.

DESCRIPTION

FIG. 1 is a top plan view of a fluorescent lantern showing my new design;

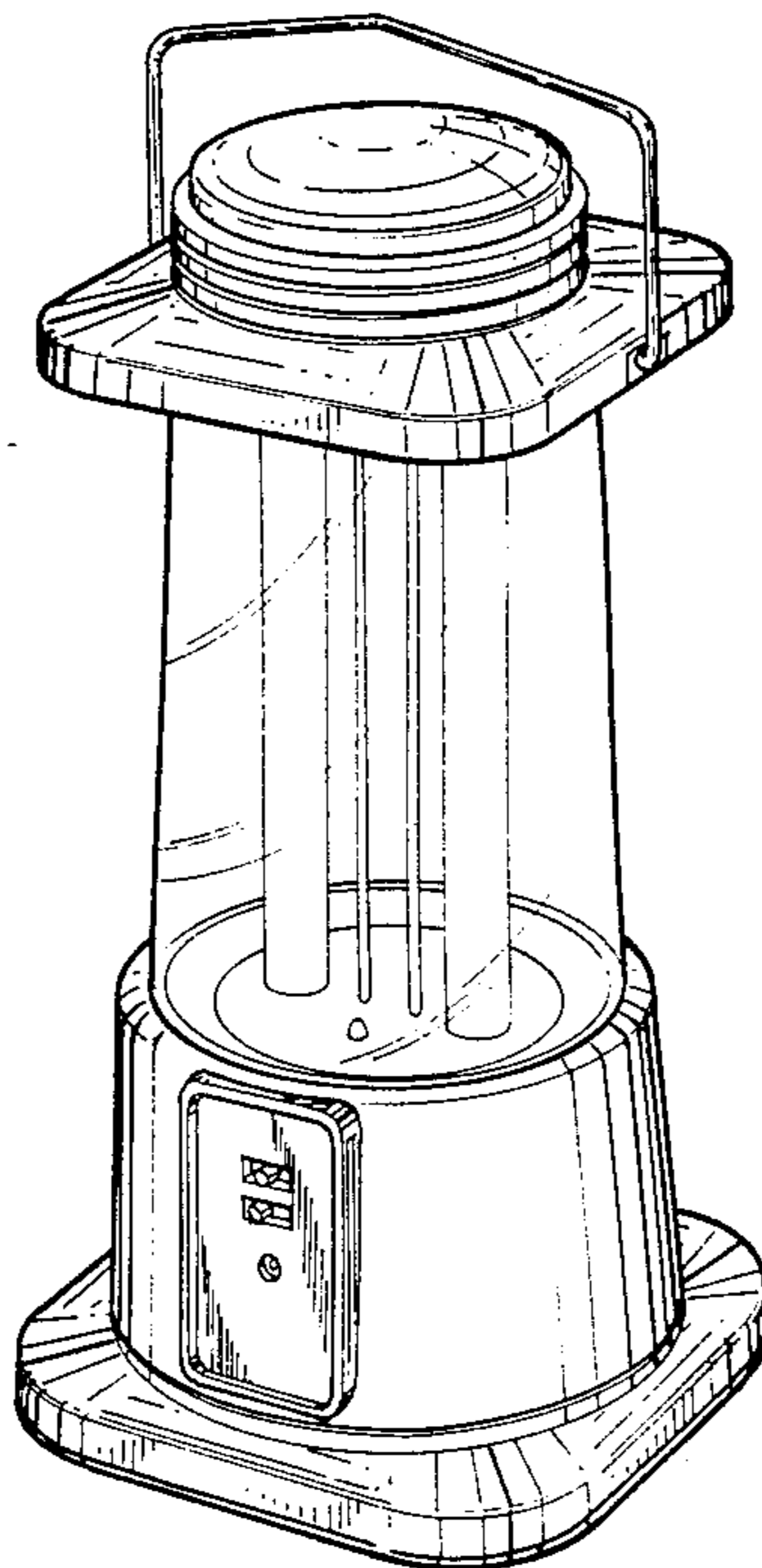
FIG. 2 is a front elevational view thereof;

FIG. 3 is a bottom plan view thereof;

FIG. 4 is a side elevational view thereof, the other side being a mirror image;

FIG. 5 is a rear elevational view thereof; and

FIG. 6 is a top side perspective view thereof.



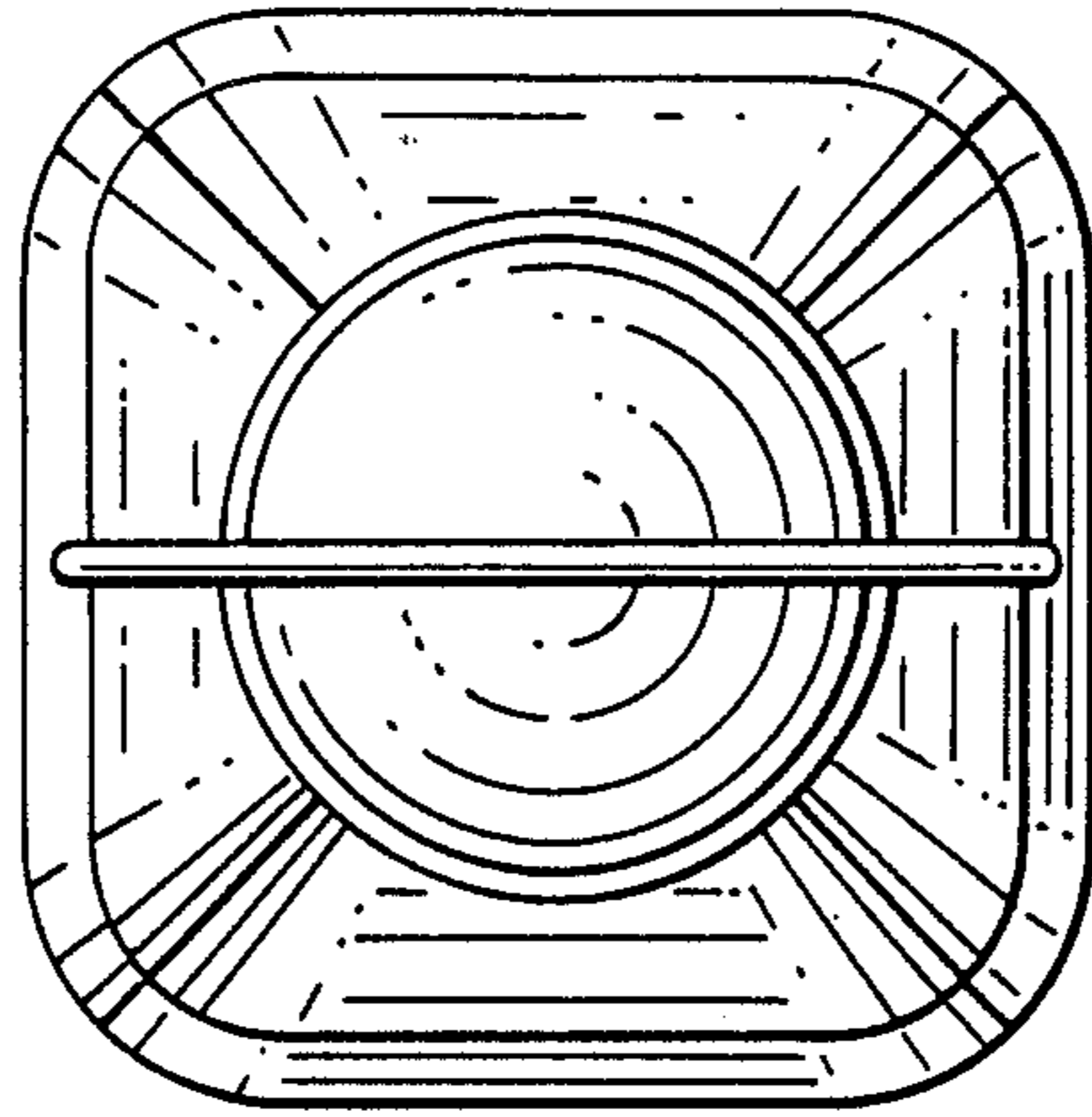


FIG. 1

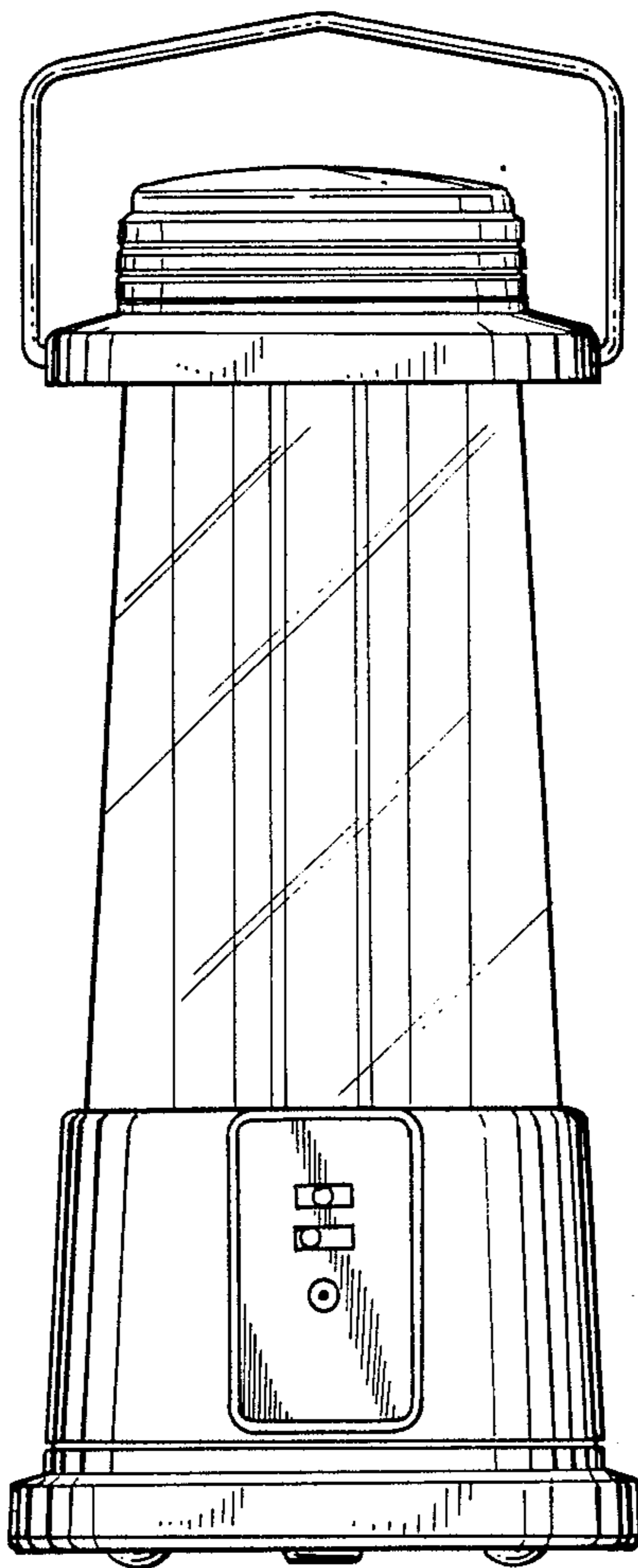


FIG. 2

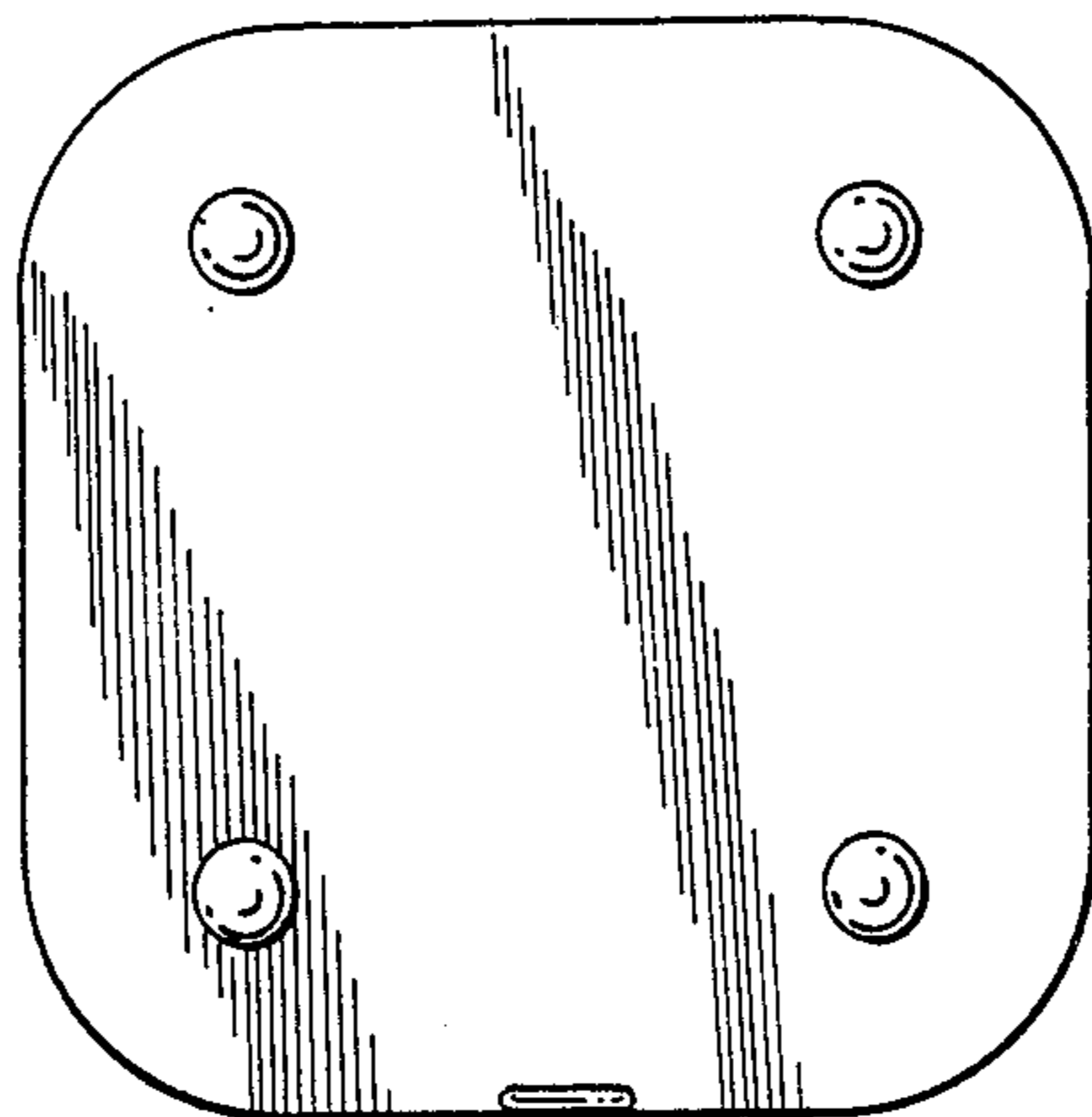


FIG. 3

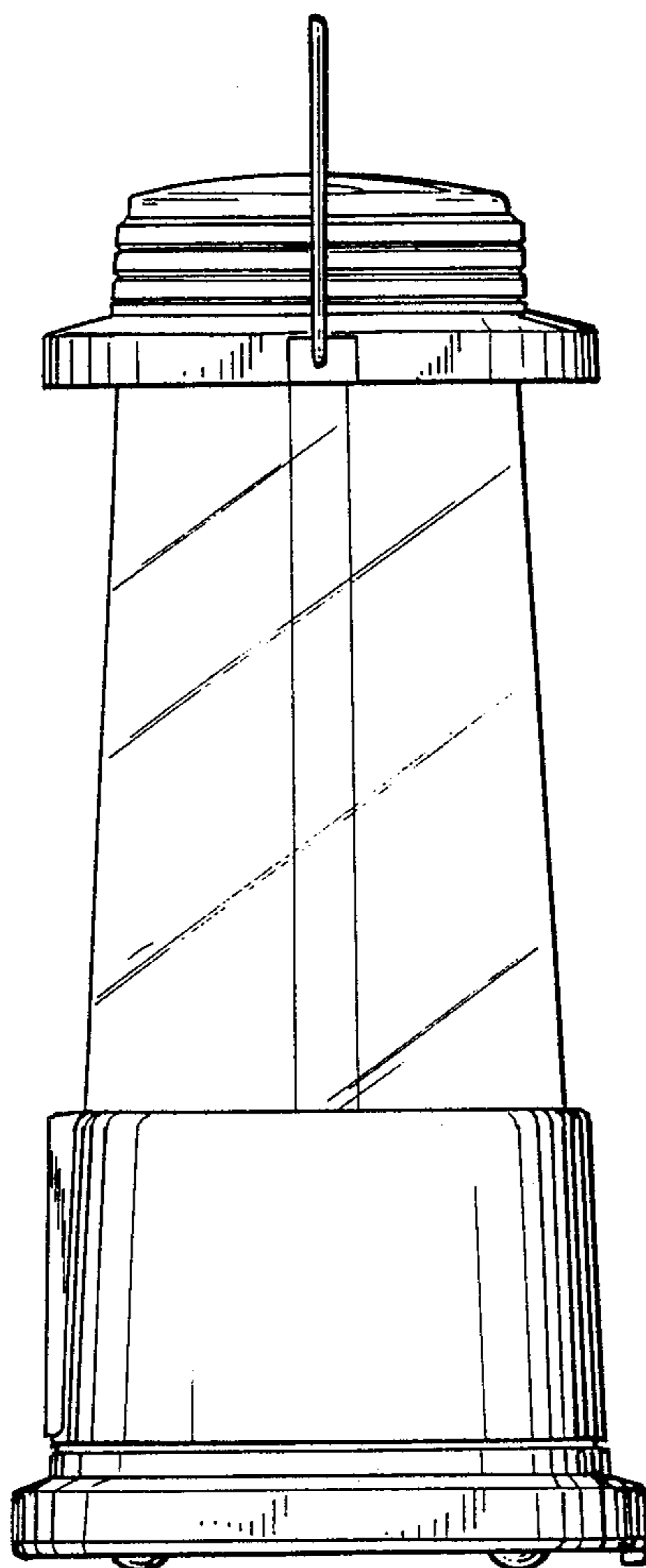


FIG. 4

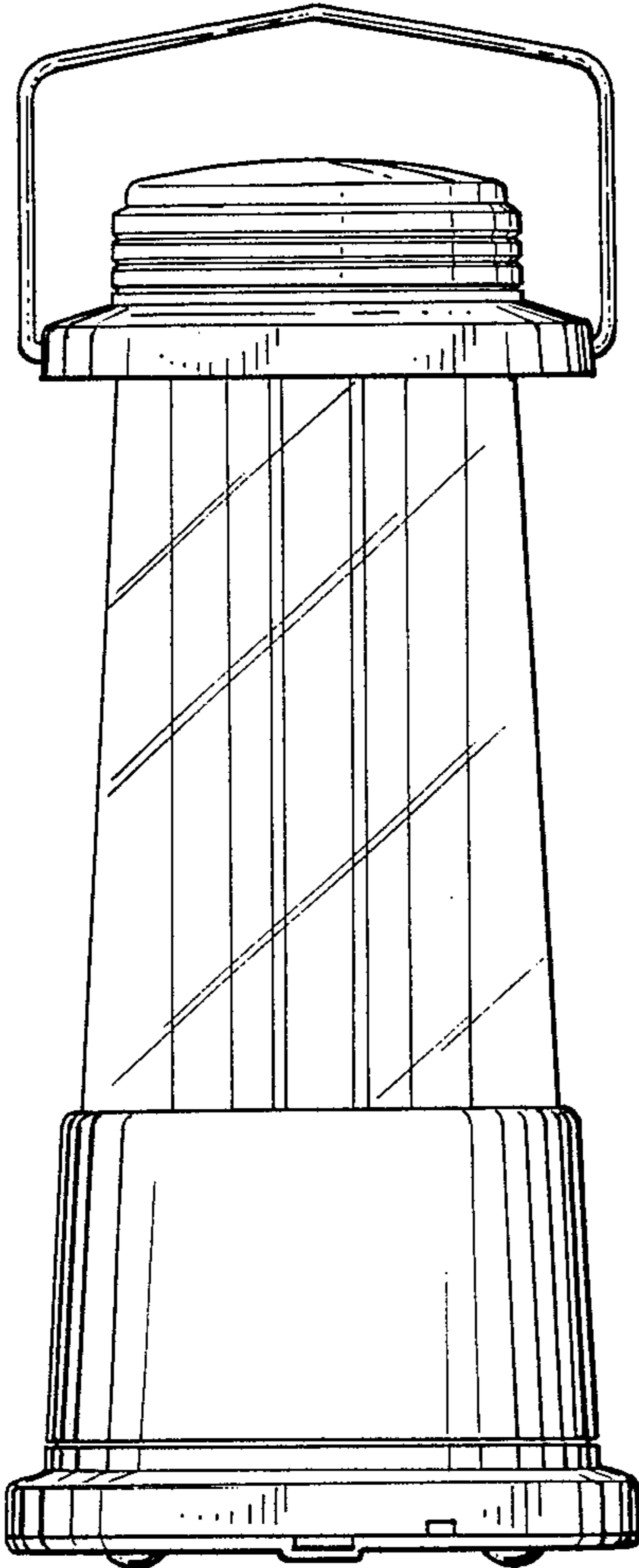


FIG. 5

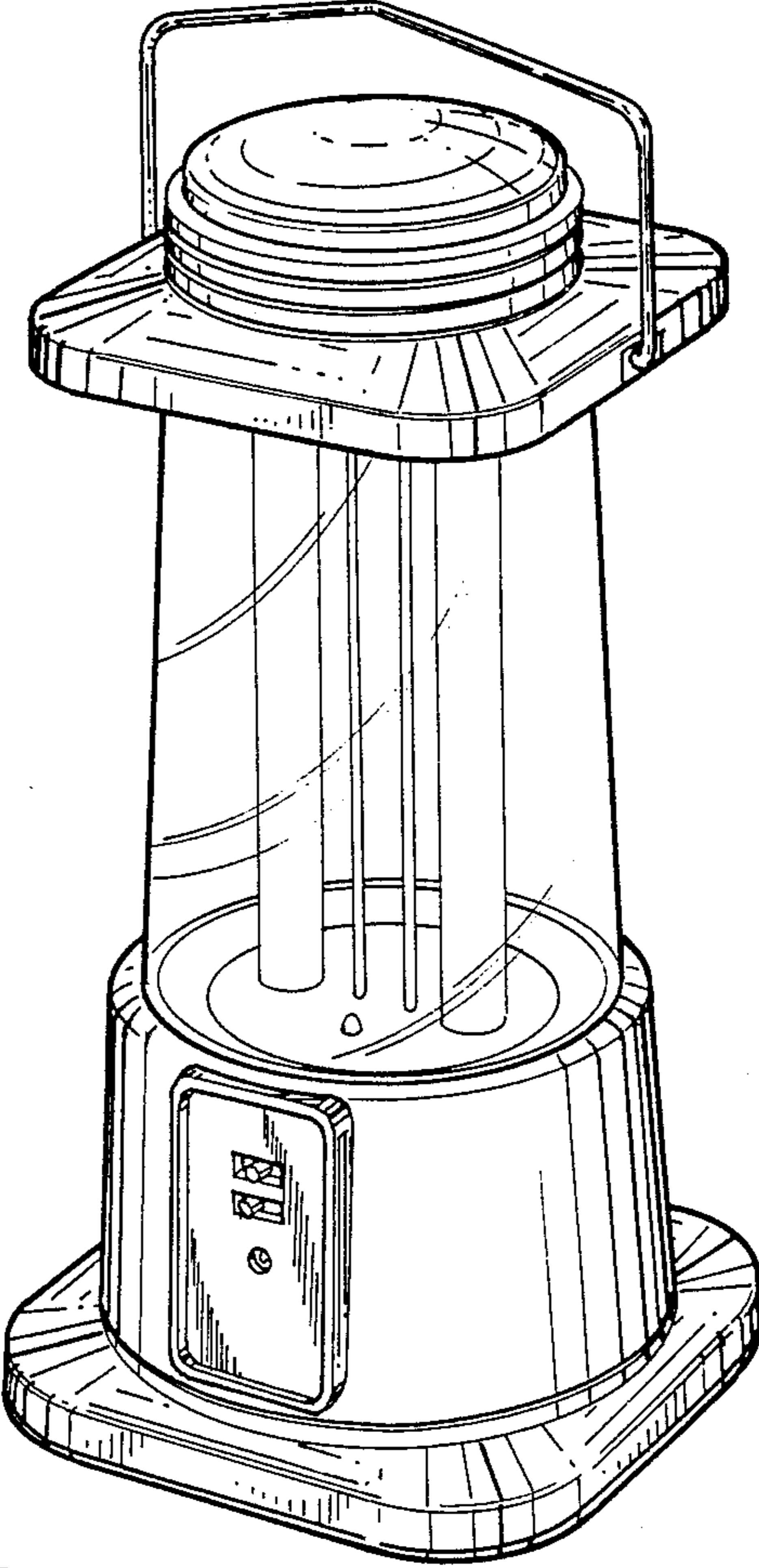


FIG. 6