

[54] FLASHLIGHT FOR A HANDBAG OR SIMILAR ARTICLE

[76] Inventors: Joyce N. Reback; Dan M. Reback, both of 41 Gray Birch Rd., Stamford, Conn. 06903

[\*\*] Term: 14 Years

[21] Appl. No.: 78,245

[22] Filed: Jul. 27, 1987

[52] U.S. Cl. .... D26/37

[58] Field of Search ..... D26/37-50; 362/157-158, 183-208, 156, 103, 108-109

[56] References Cited

U.S. PATENT DOCUMENTS

D. 255,275	6/1980	Brown	.....	D26/39 X
D. 267,980	2/1983	Gibstein et al.	.....	D26/37
D. 298,658	11/1988	Roberts et al.	.....	D26/37
2,167,789	8/1939	White	.....	362/186
4,611,264	9/1986	Bradley	.....	362/183 X

Primary Examiner—Susan J. Lucas

Assistant Examiner—M. H. Tung  
Attorney, Agent, or Firm—Timothy T. Patula

[57] CLAIM

The ornamental design for a flashlight for a handbag or similar article, as shown and described.

DESCRIPTION.

FIG. 1 is a front, top, left side perspective view of a flashlight for a handbag or similar article showing my new design;

FIG. 2 is a rear, top, left side perspective view thereof;

FIG. 3 is a front elevational view thereof;

FIG. 4 is a top plan view thereof;

FIG. 5 is a bottom plan view thereof;

FIG. 6 is a left side elevational view thereof;

FIG. 7 is a right side elevational view thereof;

FIG. 8 is a rear elevational view thereof;

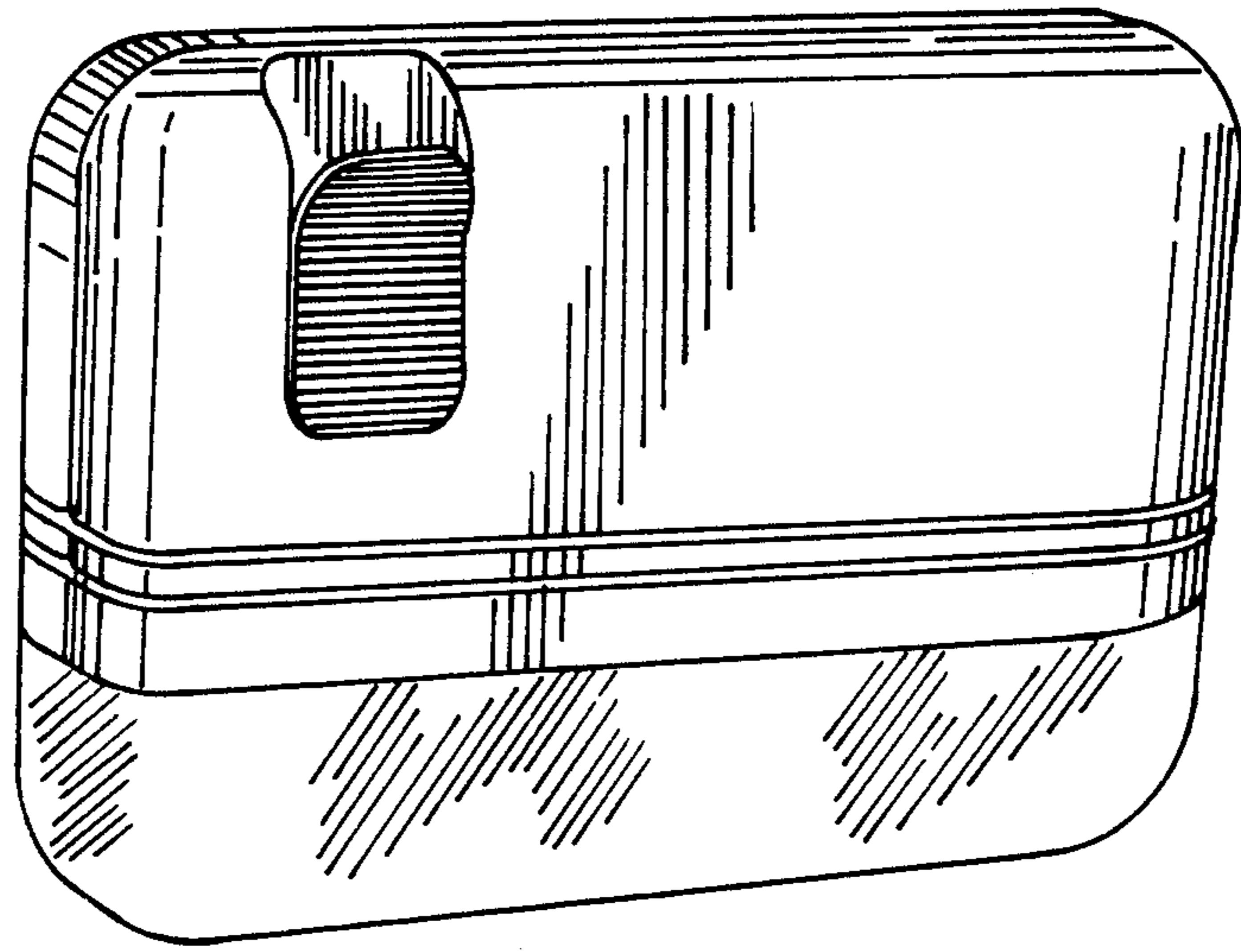
FIG. 9 is a front, top, left side perspective view of a second embodiment thereof;

FIG. 10 is a top plan view thereof;

FIG. 11 is a rear elevational view thereof;

FIG. 12 is a left side elevational view thereof;

FIG. 13 is a right side elevational view thereof.



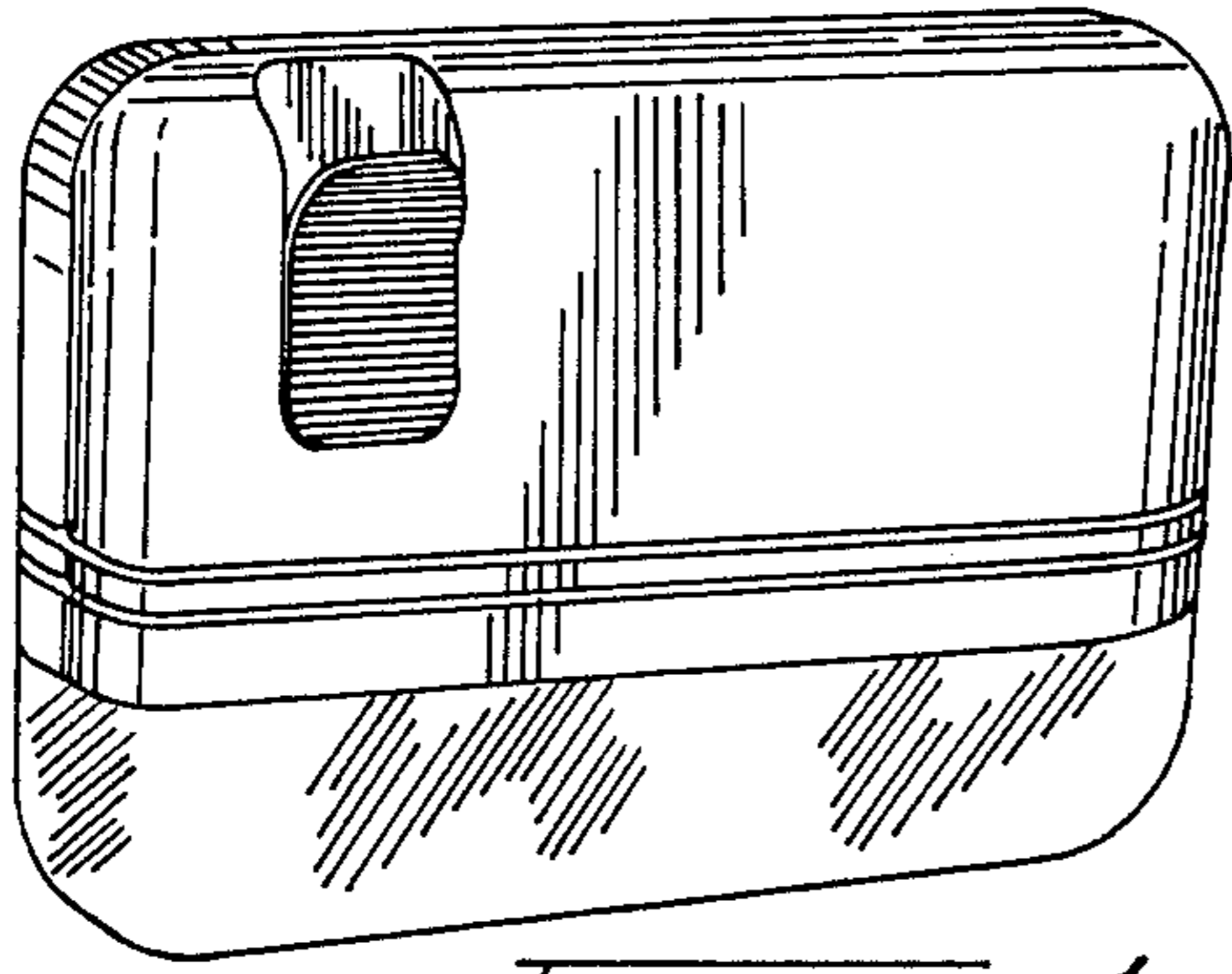


FIG. 1.

FIG. 2.

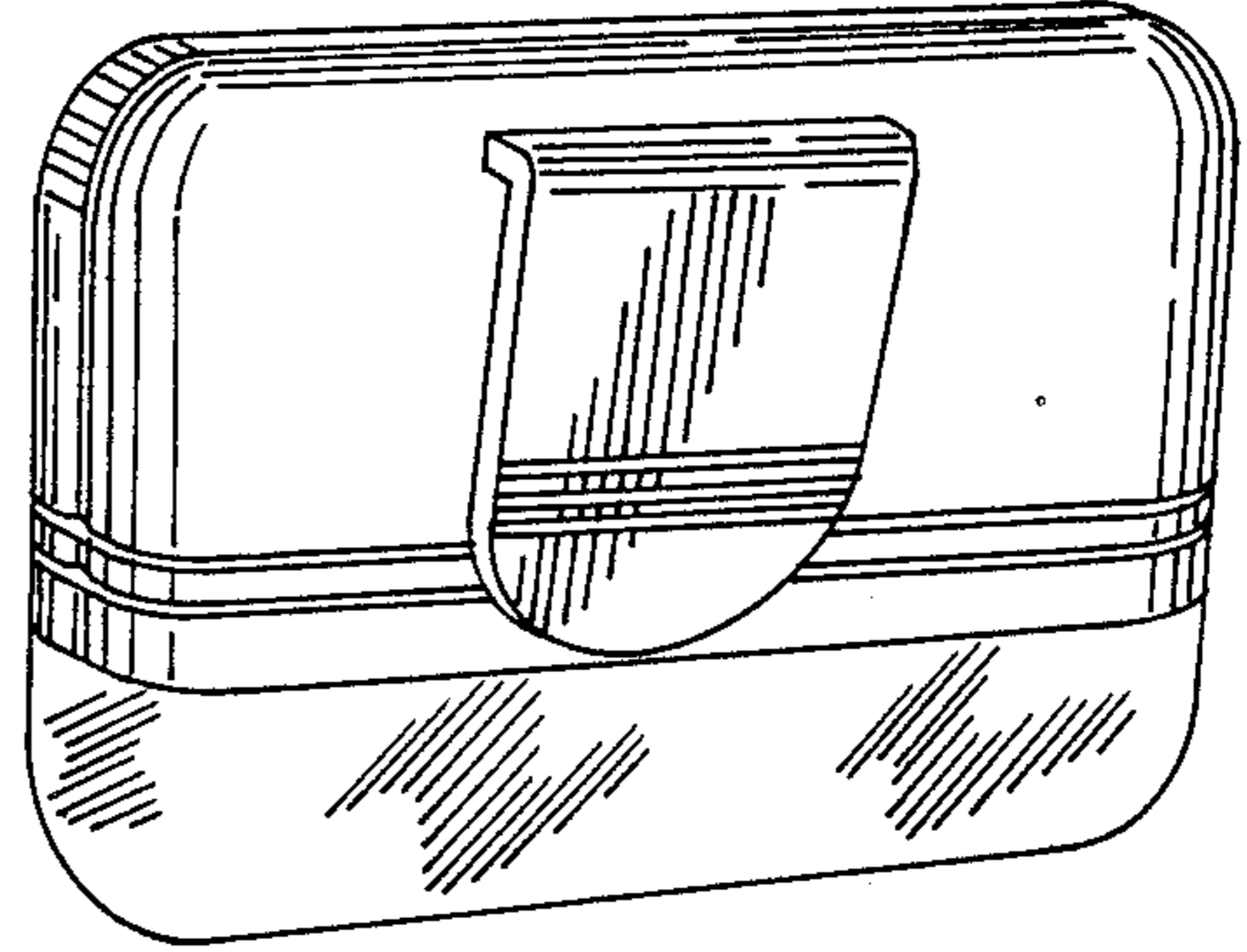


FIG. 8.

FIG. 3.

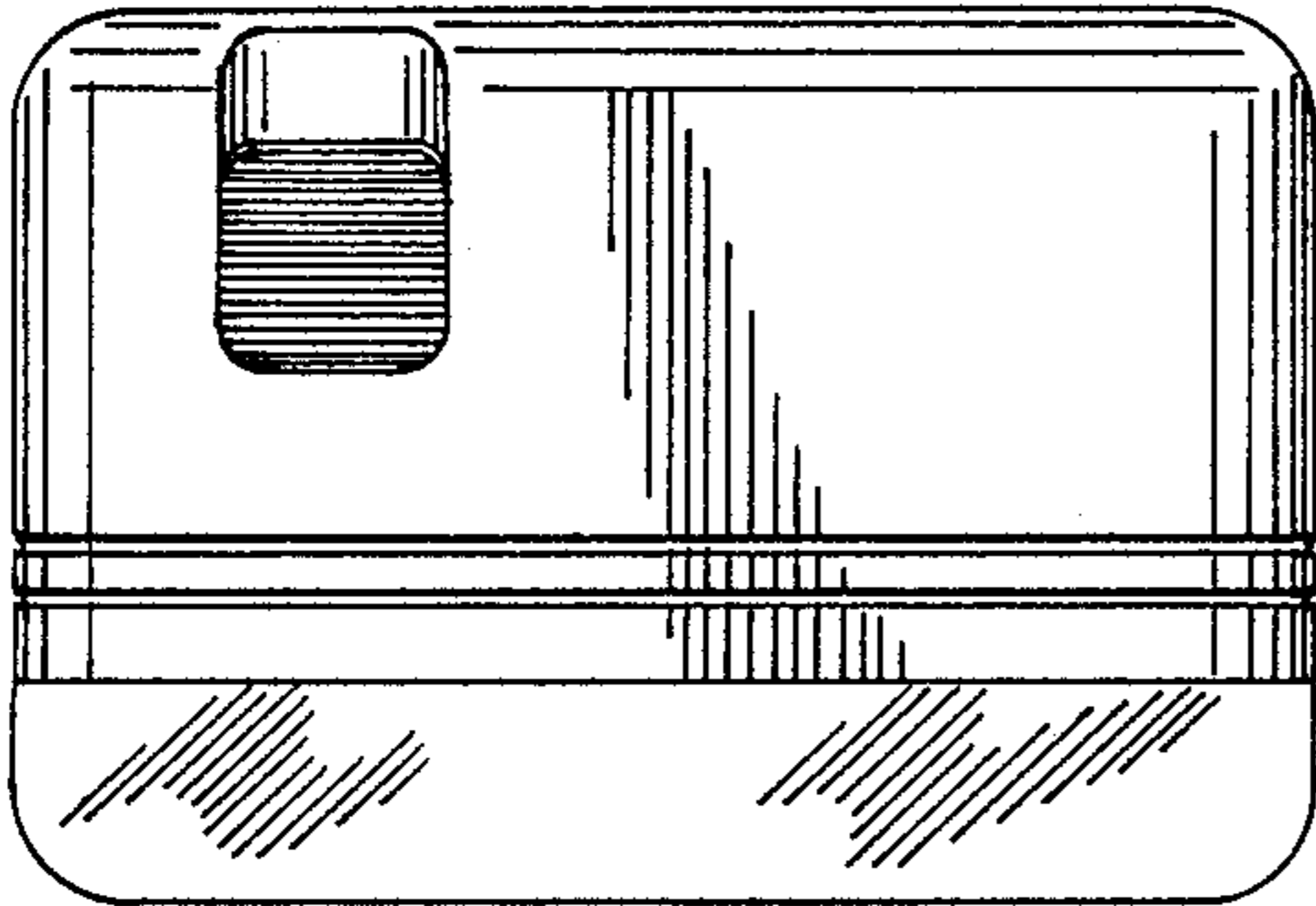


FIG. 4.

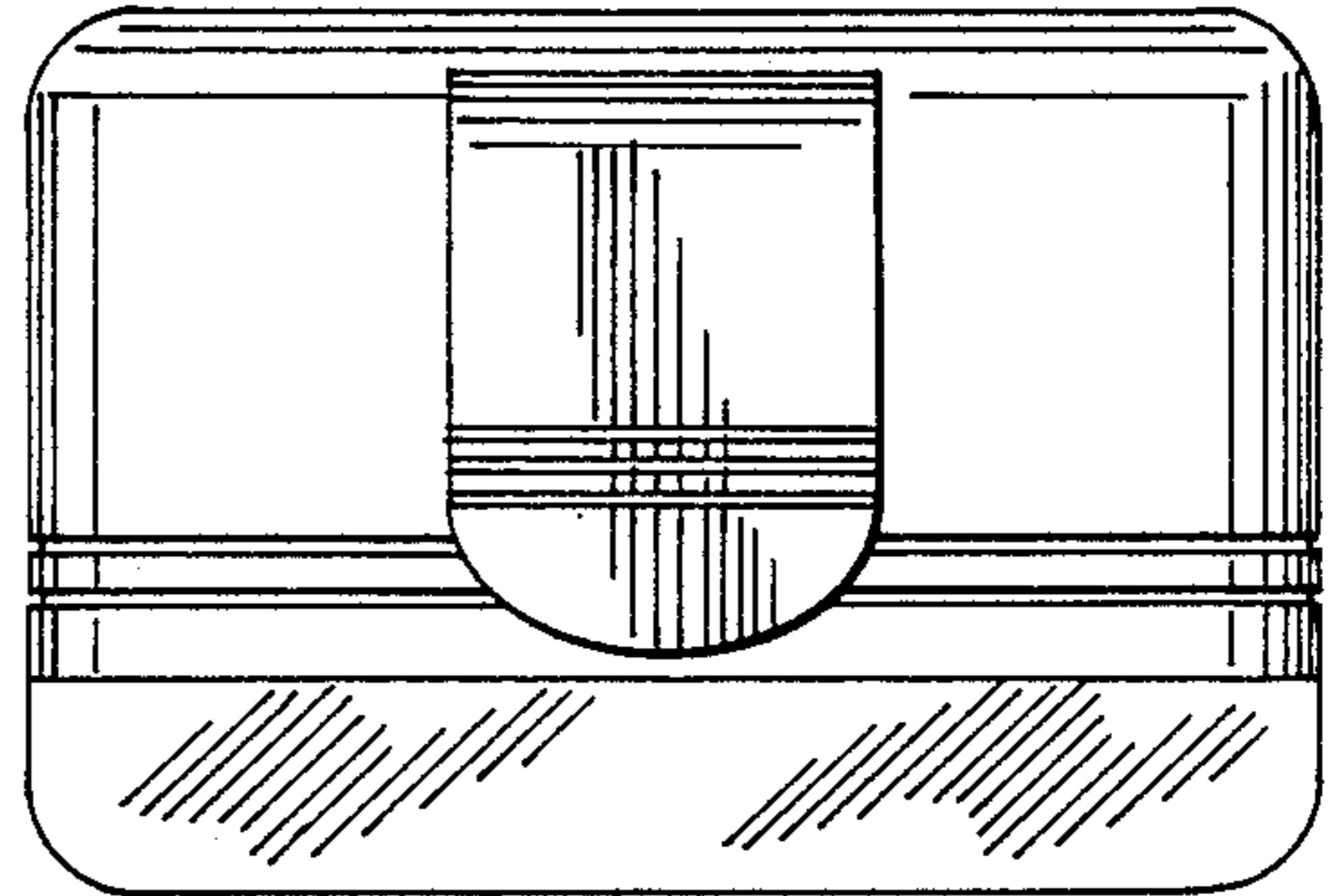


FIG. 5.

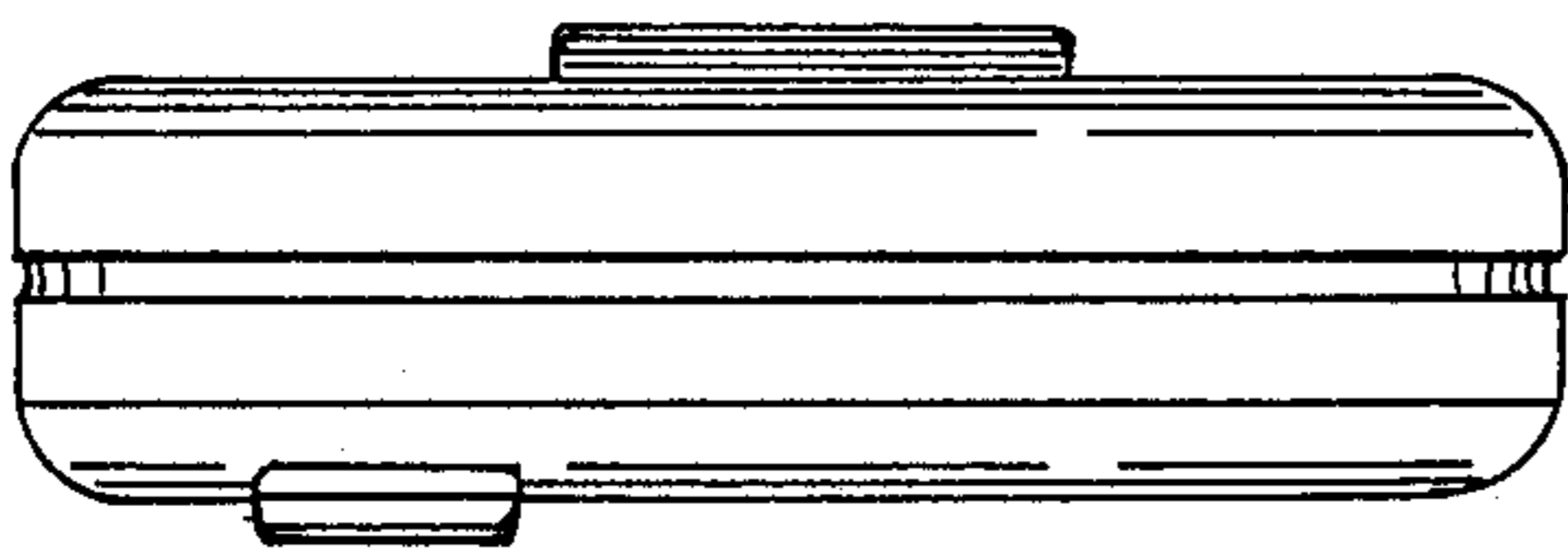


FIG. 6.

FIG. 7.

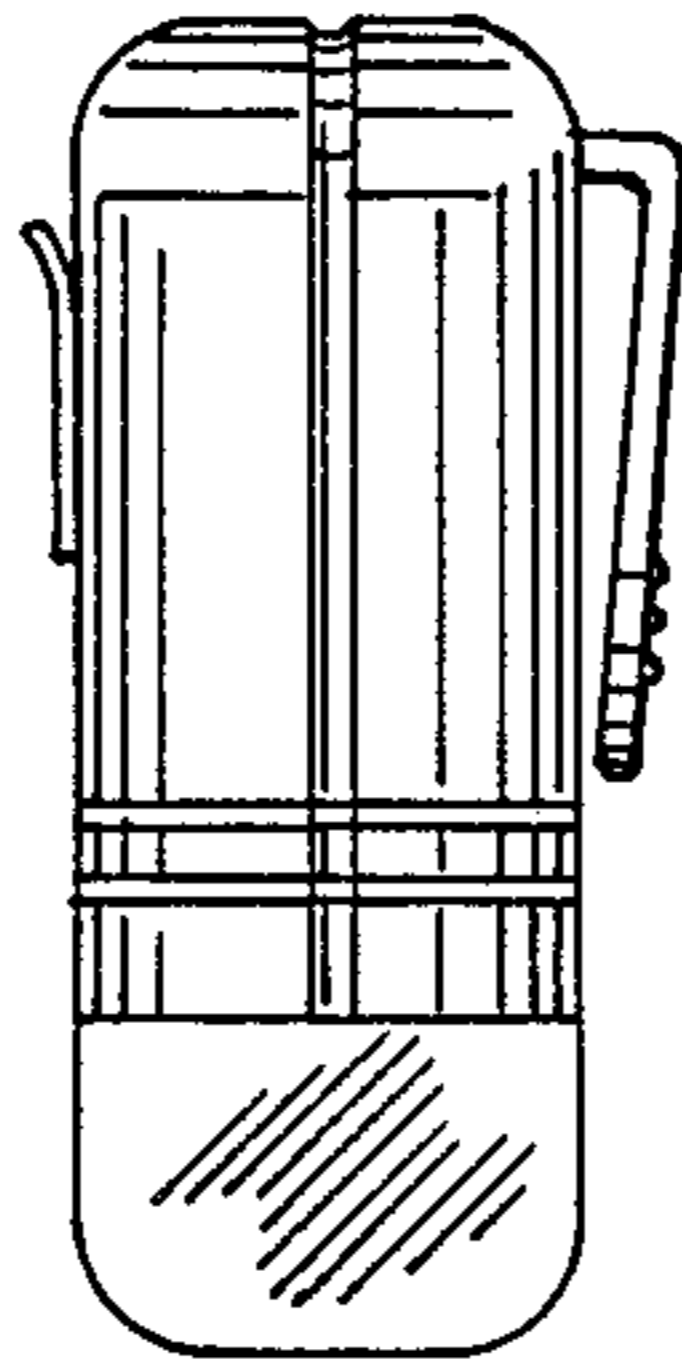
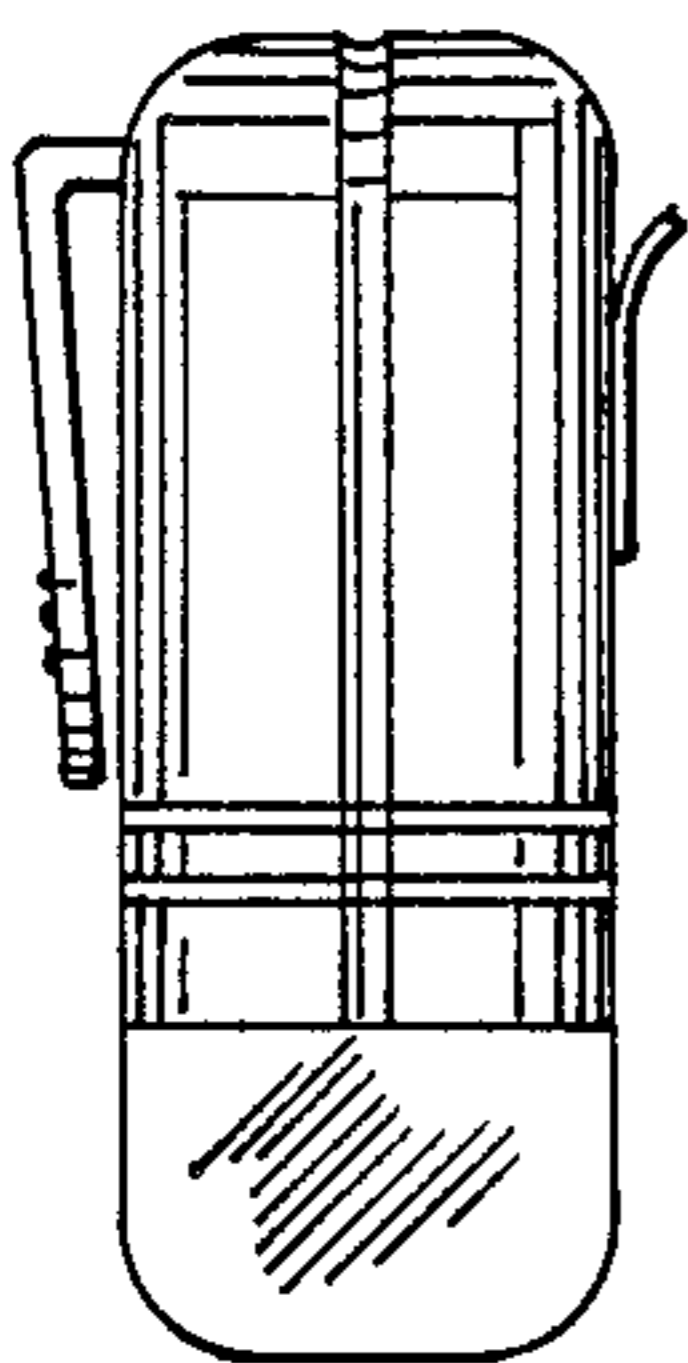
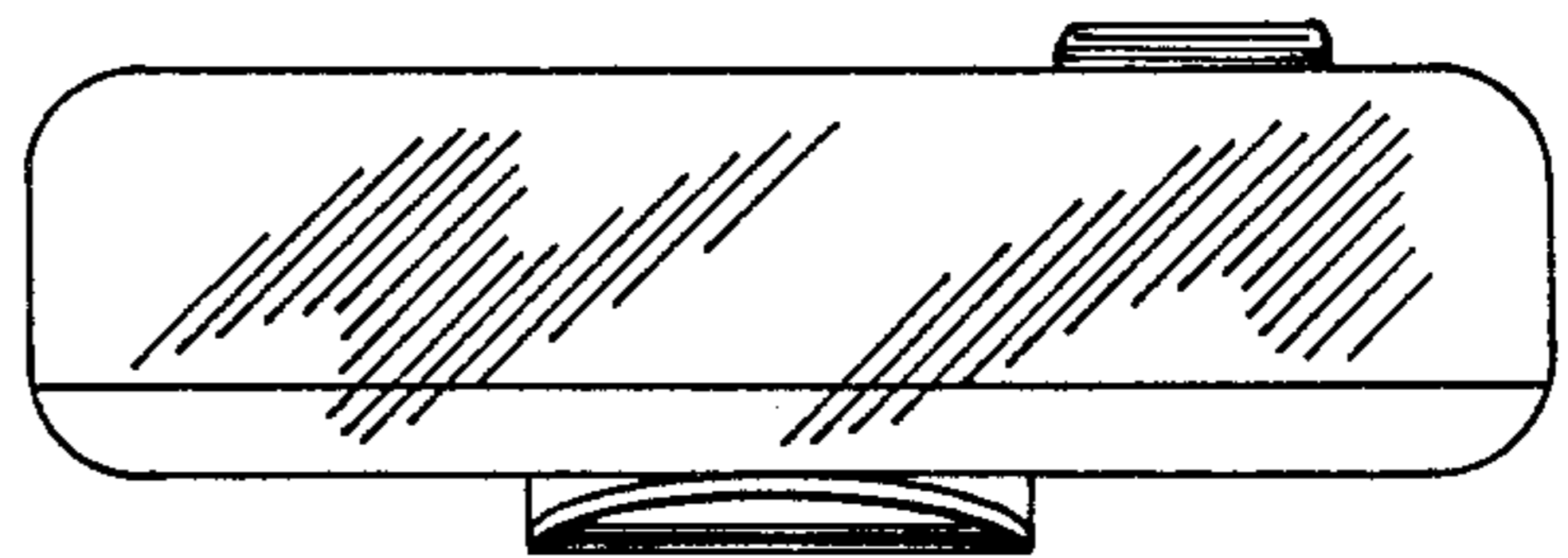


FIG. 9

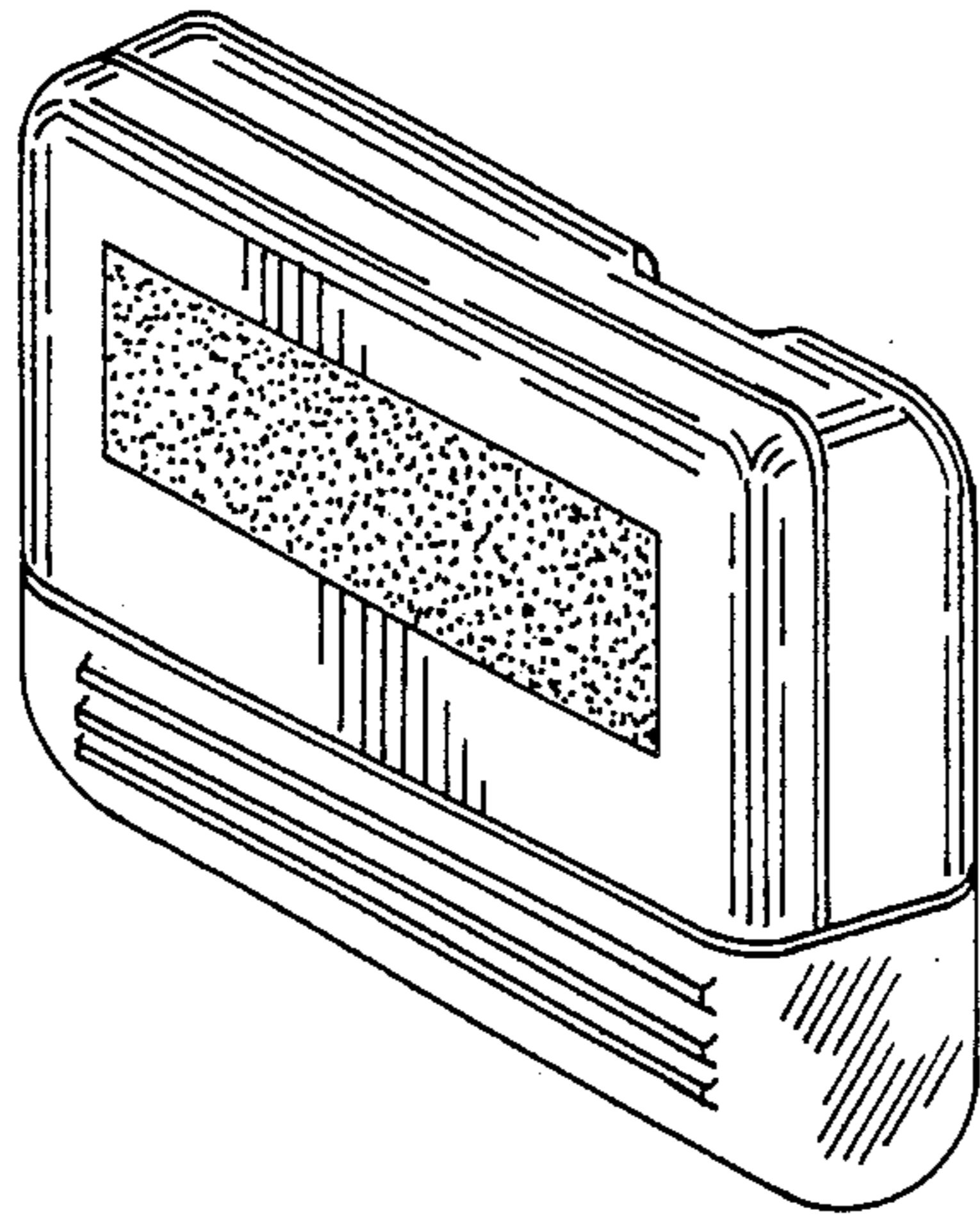


FIG. 10

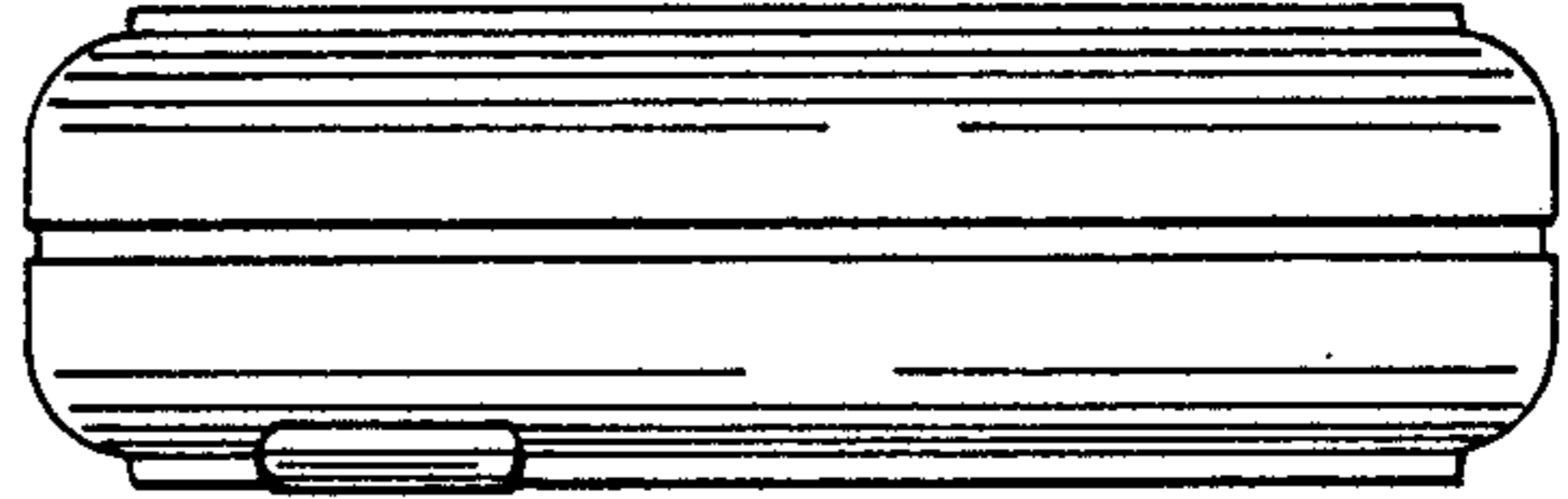


FIG. 11

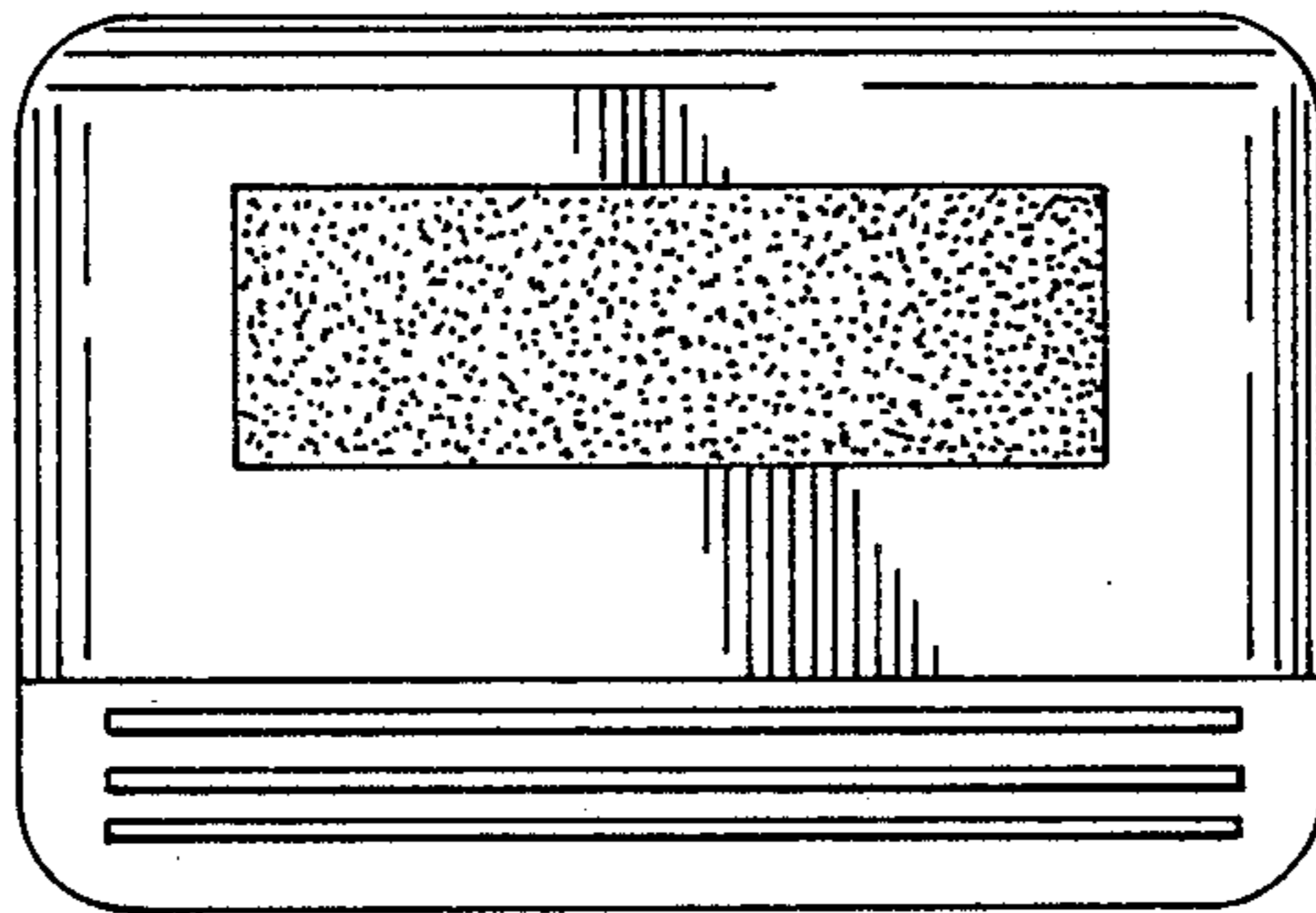


FIG. 12

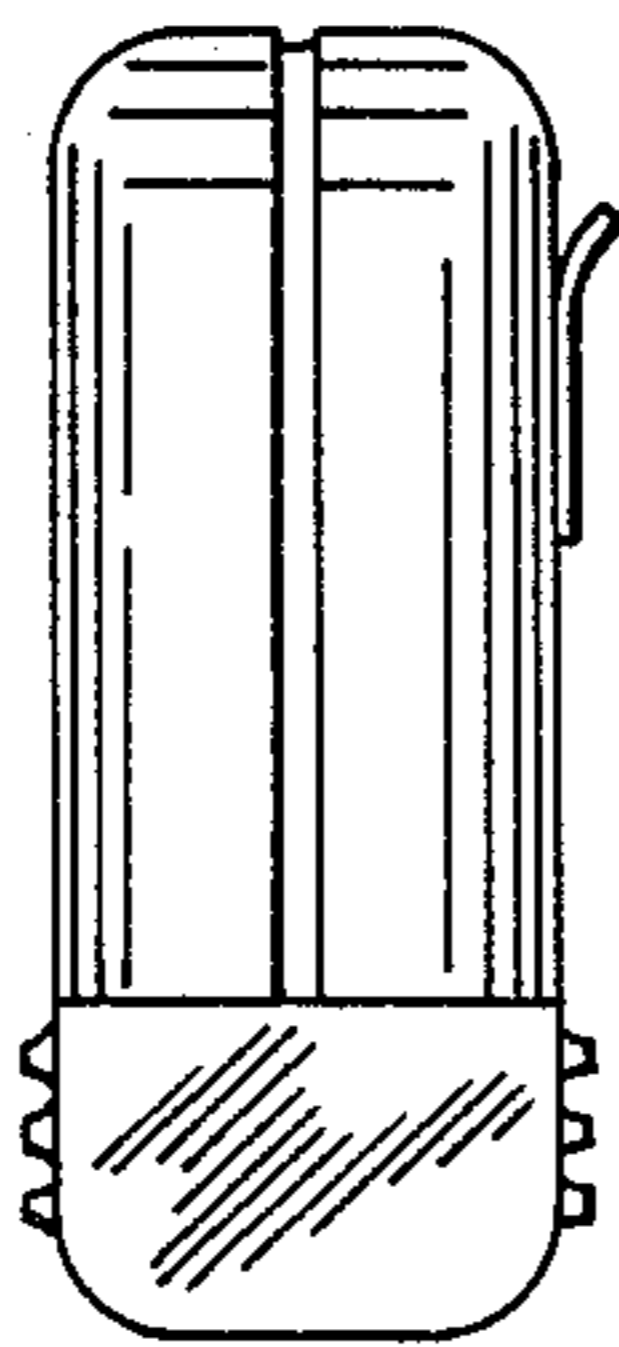


FIG. 13

