

[54] WINDOW COMPONENT EXTRUSION

[75] Inventors: Dennis Westphal, Galva; Jonathan Piles, McPherson, both of Kans.

[73] Assignee: CertainTeed Corporation, Valley Forge, Pa.

[*] Notice: The portion of the term of this patent subsequent to Oct. 23, 2004 has been disclaimed.

[**] Term: 14 Years

[21] Appl. No.: 406,749

[22] Filed: Sep. 12, 1989

[52] U.S. Cl. D25/122

[58] Field of Search D25/47, 52, 60, 119, D25/121, 122, 124; 49/501, 502, 504, 475, DIG. 1, DIG. 2; 52/730, 731, 732, 738

D. 263,755	4/1982	Dallaire .	
D. 266,949	11/1982	Goldhaber .	
D. 283,349	4/1986	Slocomb, Jr. .	
D. 285,610	9/1986	Slocomb, Jr. .	
D. 286,186	10/1986	Bancroft .	
D. 291,007	7/1987	Reisinger et al. .	
D. 291,008	7/1987	Reisinger et al. .	
D. 292,737	10/1987	Reisinger et al. .	
D. 292,829	11/1987	Reisinger et al. .	
D. 300,367	3/1989	Reisinger et al. .	
D. 300,368	3/1989	Reisinger et al. .	
D. 300,369	3/1989	Reisinger et al. .	
D. 300,370	3/1989	Reisinger et al. .	
3,363,390	1/1968	Crane et al. .	
3,475,870	3/1966	Birum, Jr. .	
3,859,754	1/1975	Bodich et al.	49/501
4,031,665	6/1977	Abramson	49/501
4,040,219	8/1977	Budich .	
4,110,942	9/1978	Slocomb, Jr. .	
4,227,346	10/1980	Kubik	49/501
4,351,131	9/1982	Kubik	49/501
4,656,778	4/1987	Fiorenza, Sr.	49/501

[56] References Cited

U.S. PATENT DOCUMENTS

D. 216,955	3/1970	Dallaire .
D. 222,932	2/1972	Dallaire .
D. 222,994	2/1972	Dallaire .
D. 225,219	11/1972	Dallaire .
D. 226,904	5/1973	Dallaire .
D. 258,615	3/1981	Dallaire .
D. 258,619	3/1981	Dallaire .
D. 259,810	7/1981	Dallaire .
D. 263,753	4/1982	Dallaire .
D. 263,754	4/1982	Dallaire .

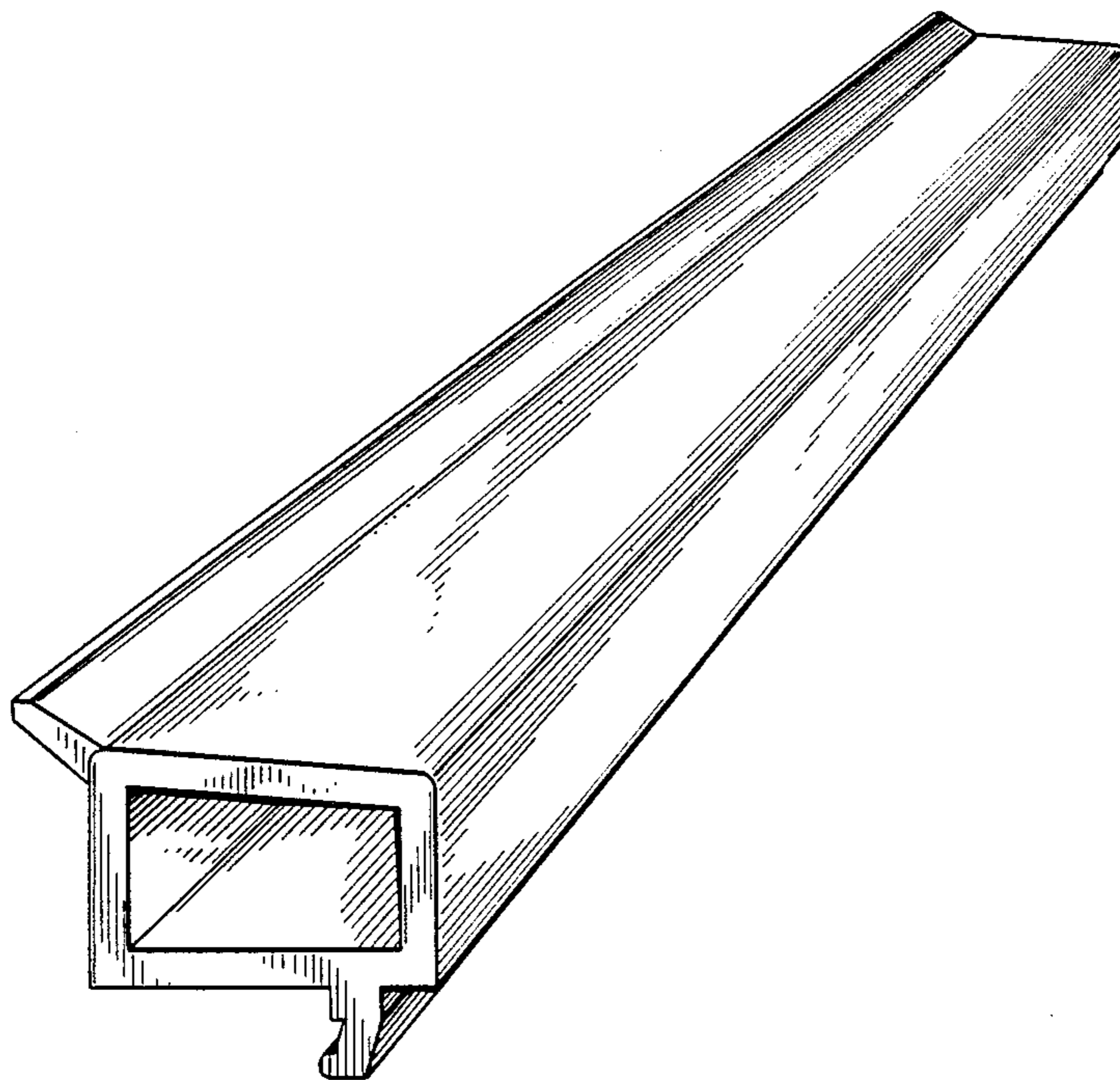
Primary Examiner—A. Hugo Word
Assistant Examiner—Doris Clark
Attorney, Agent, or Firm—Paul & Paul

[57] CLAIM

The ornamental design for a window component extrusion, as shown and described.

DESCRIPTION

The FIGURE is a front perspective view of a window component extrusion showing our new design, the rear perspective view being a mirror image thereof.



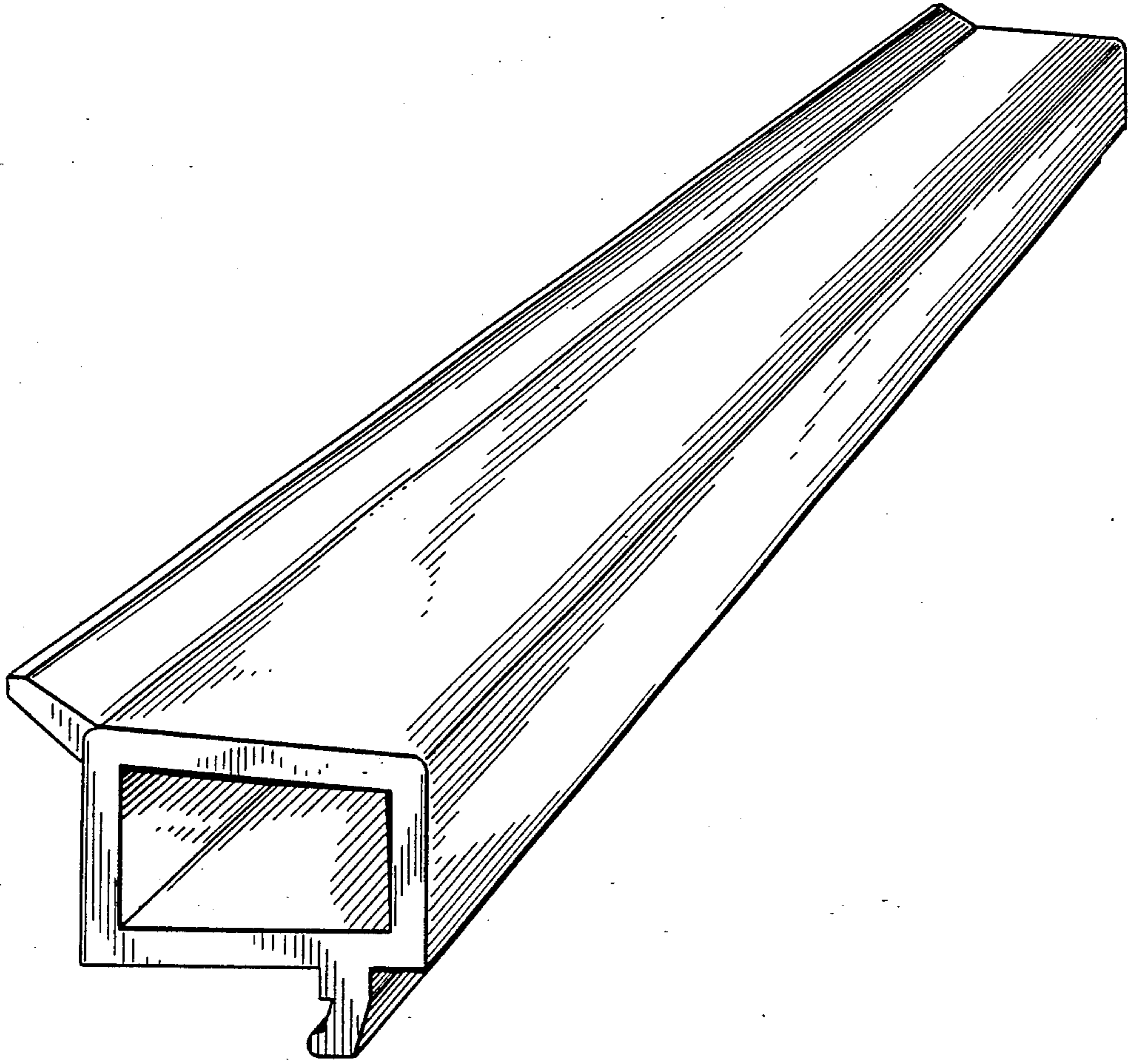


Fig. 1