

United States Patent [19]

Kamen

[11] Patent Number: **Des. 311,954**

[45] Date of Patent: **** Nov. 6, 1990**

[54] **DRIP CHAMBER CAP**

[76] Inventor: **Dean Kamen**, 44 Gage Rd., Bedford, N.H. 03102

[**] Term: **14 Years**

[21] Appl. No.: **16,291**

[22] Filed: **Feb. 19, 1987**

[52] U.S. Cl. **D24/52**

[58] Field of Search **D24/51, 52, 53; 604/251, 253, 180; 128/DIG. 13**

[56] **References Cited**

U.S. PATENT DOCUMENTS

D. 293,130 12/1987 Ashie et al. **D24/53**
4,038,982 8/1977 Burke et al. **604/253 X**

4,397,648 8/1983 Knute **604/253**
4,718,896 1/1988 Arndt et al. **604/253**

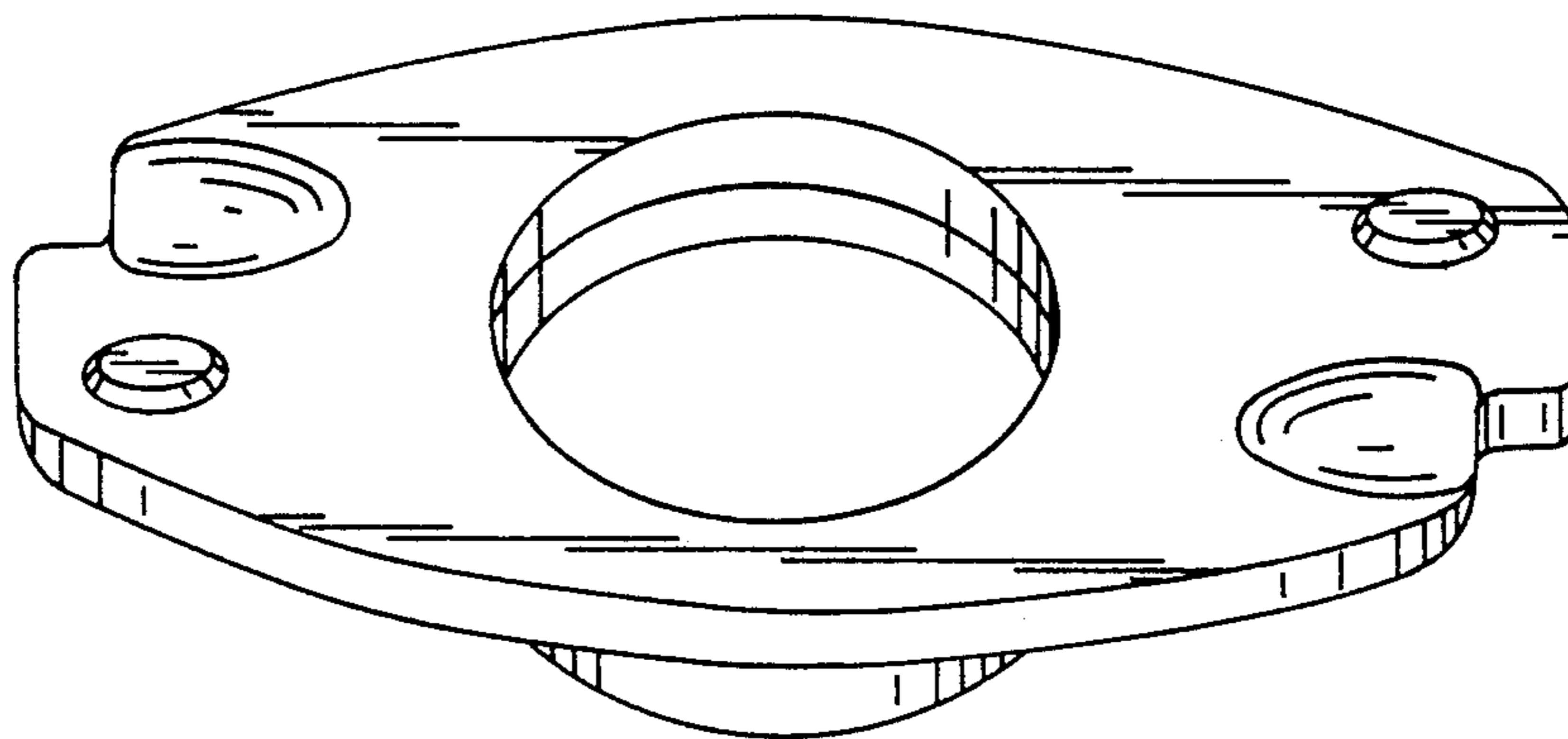
Primary Examiner—A. Hugo Word
Assistant Examiner—Stella M. Reid
Attorney, Agent, or Firm—Kay Pierce; Paul Flattery

[57] **CLAIM**

The ornamental design for a drip chamber cap, as shown and described.

DESCRIPTION

FIG. 1 is a perspective view of a drip chamber cap showing my new design;
FIG. 2 is a front elevational view thereof;
FIG. 3 is a side elevational view thereof;
FIG. 4 is an end elevational view thereof; and
FIG. 5 is a rear elevational view thereof.



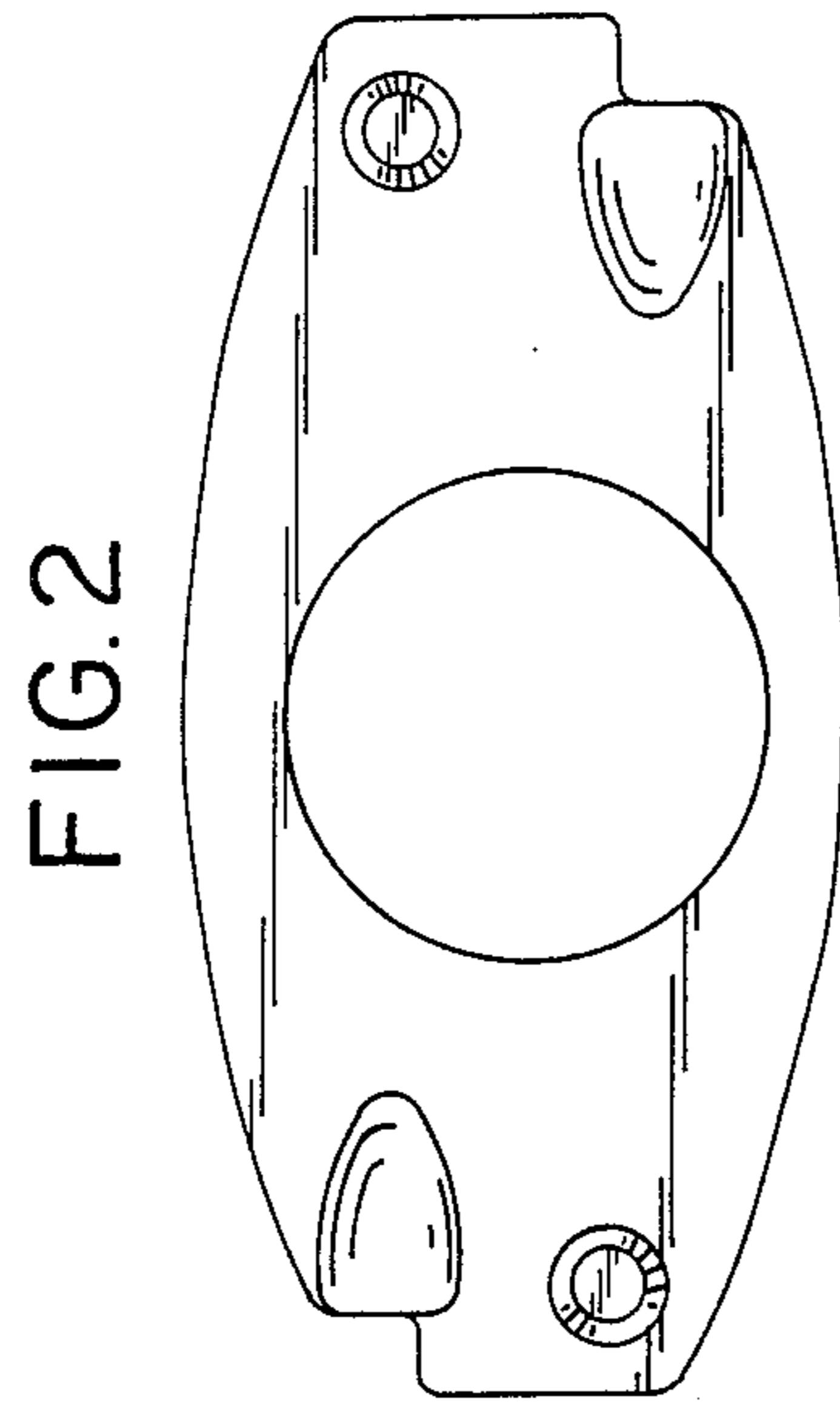


FIG. 2

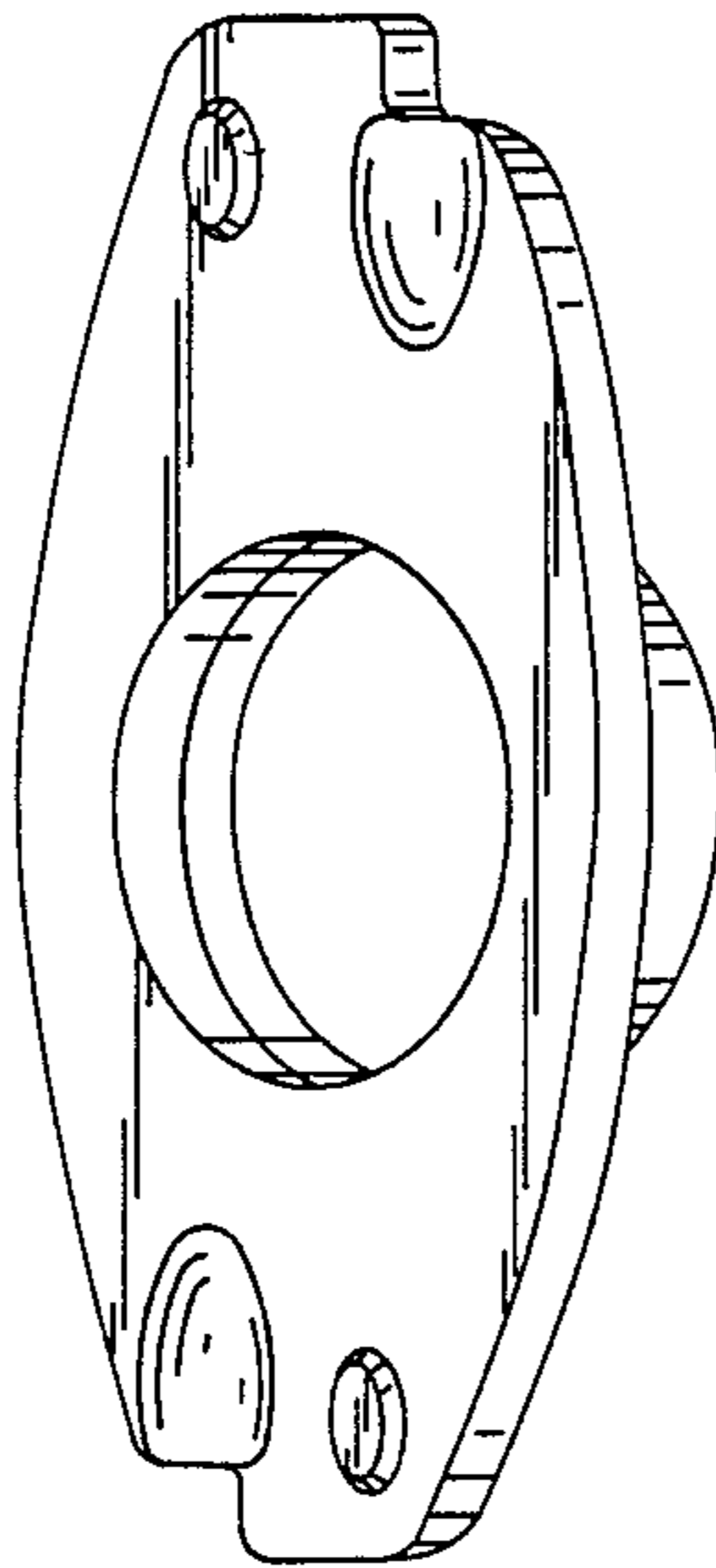


FIG. 1

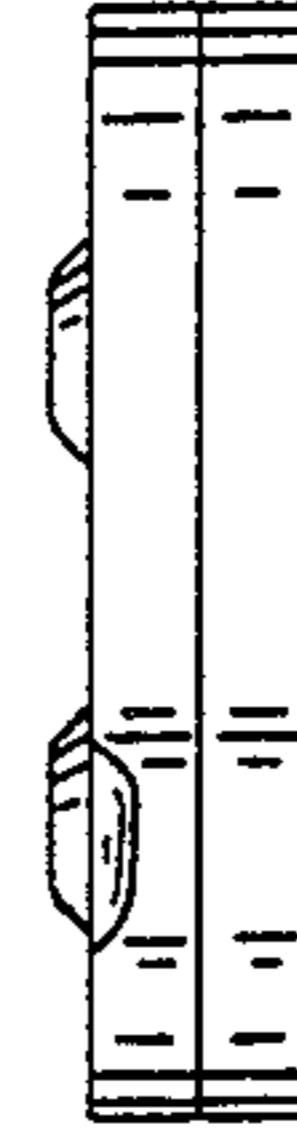


FIG. 4

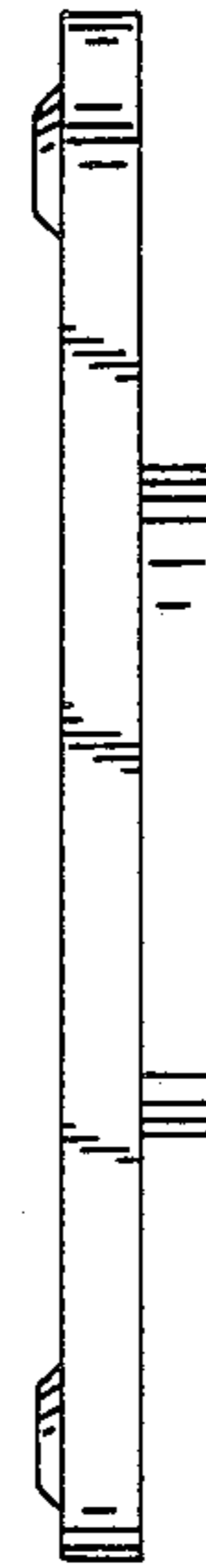


FIG. 3

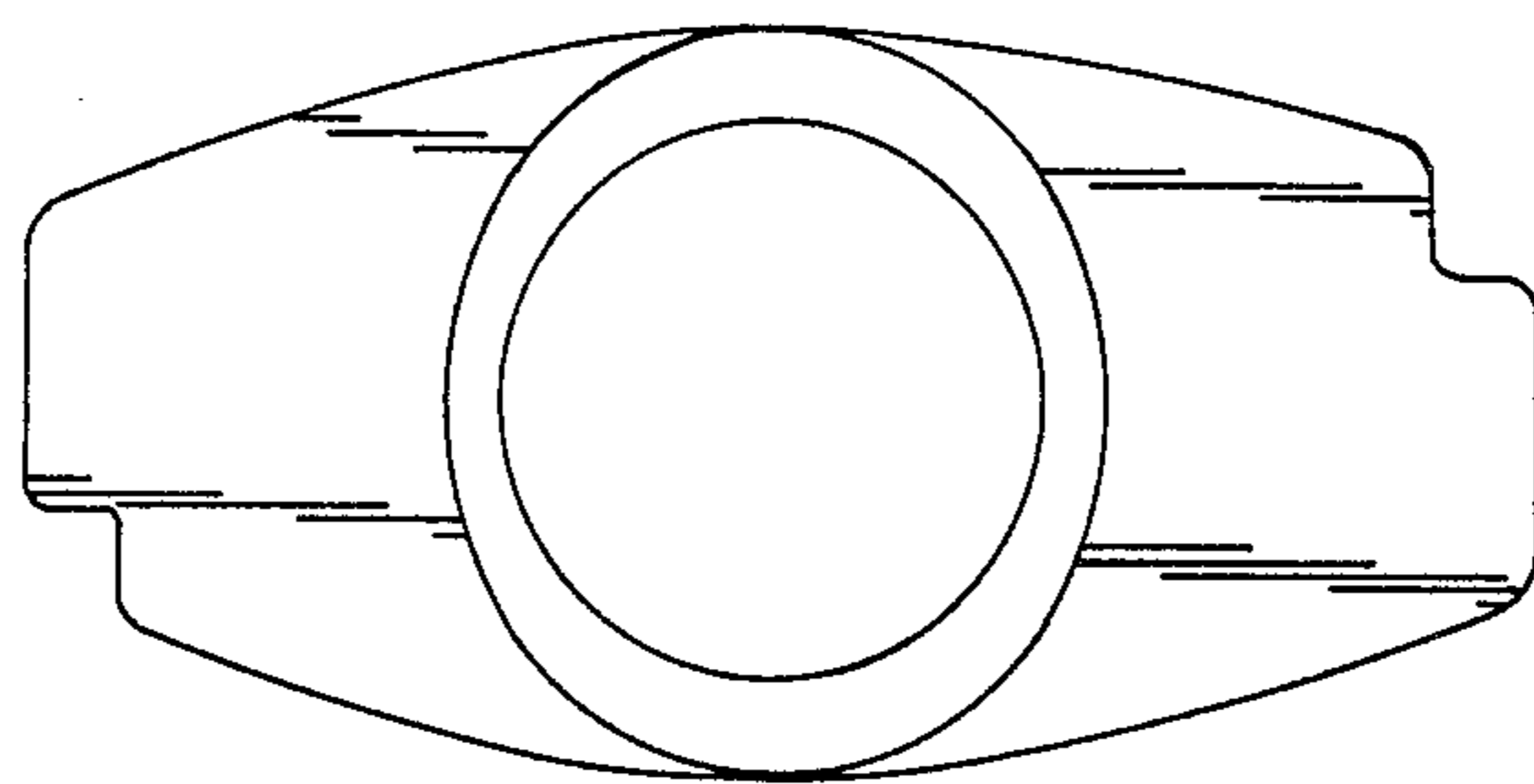


FIG.5