

[54] PORTABLE ELECTRIC CONVECTION HEATER

[75] Inventor: Melvin Dubin, Great Neck, N.Y.

[73] Assignee: Slant/Fin Corporation, Greenvale, N.Y.

[\*\*] Term: 14 Years

[21] Appl. No.: 288,404

[22] Filed: Dec. 21, 1988

[52] U.S. Cl. .... D23/335

[58] Field of Search ..... D23/332, 335; 219/359, 219/342, 366, 367, 368, 34

[56] References Cited

U.S. PATENT DOCUMENTS

D. 157,834	3/1950	Bourner	.....	D23/335
D. 159,489	8/1950	Jones	.....	D23/335
4,307,284	12/1981	Perron	.....	219/342

FOREIGN PATENT DOCUMENTS

811478	8/1951	Fed. Rep. of Germany	.....	219/368
529694	12/1921	France	.....	219/367
229552	2/1944	Switzerland	.....	219/34

OTHER PUBLICATIONS

Electrical Merchandising, Jan. 1947, p. 231, Overblast Convection Heater, upper left side of page.

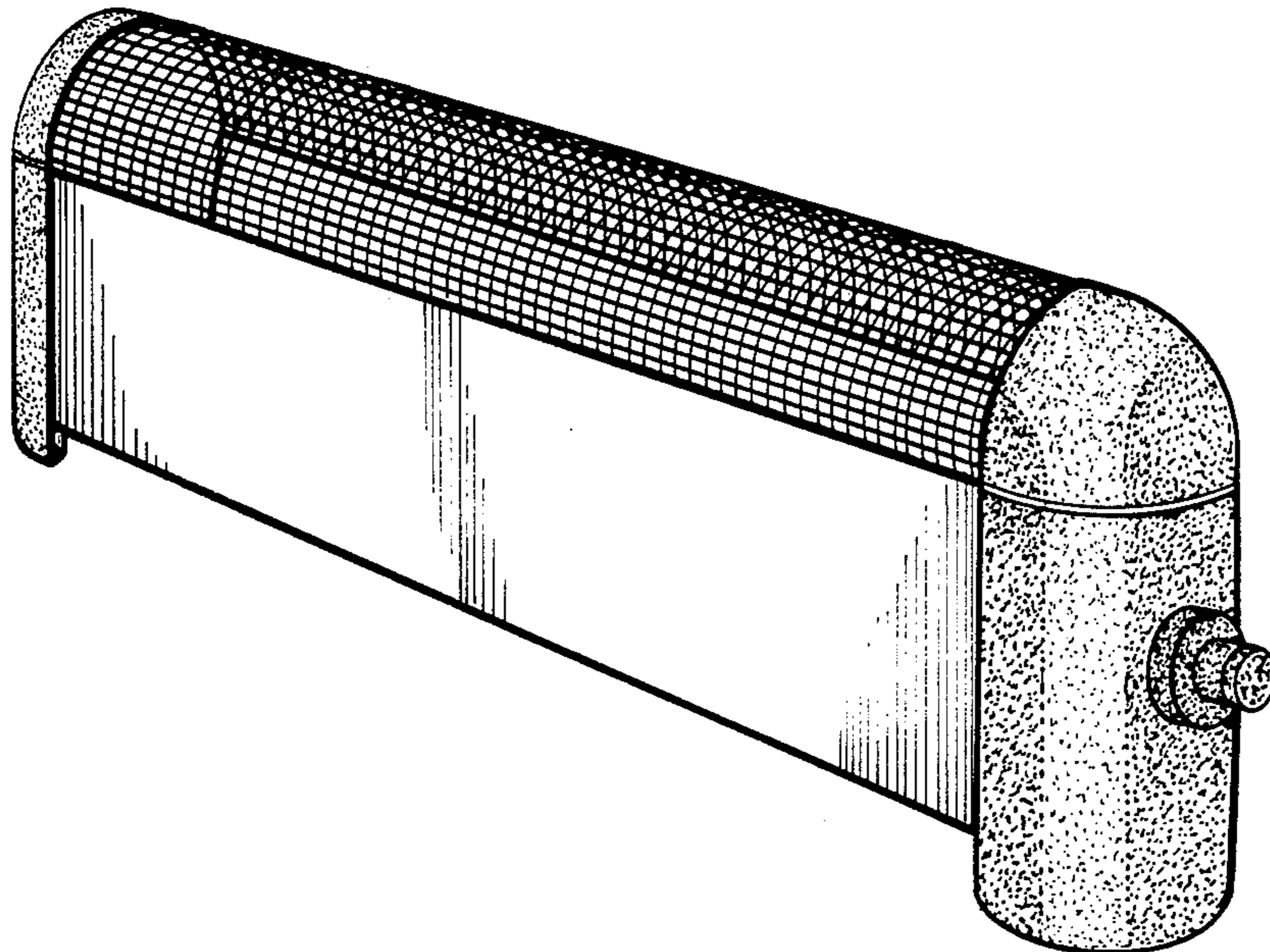
Primary Examiner—James M. Gandy  
Assistant Examiner—Lisa Lichtenstein  
Attorney, Agent, or Firm—Herbert Dubno

[57] CLAIM

The ornamental design for a portable electric convection heater, as shown and described.

DESCRIPTION

FIG. 1 is a front perspective view taken from above and showing the top and right end of the portable electrical convection heater according to my new design, the rear view being a mirror image of the front view; FIG. 2 is a left end elevation view thereof; and FIG. 3 is a bottom plan view thereof, on a reduced scale.



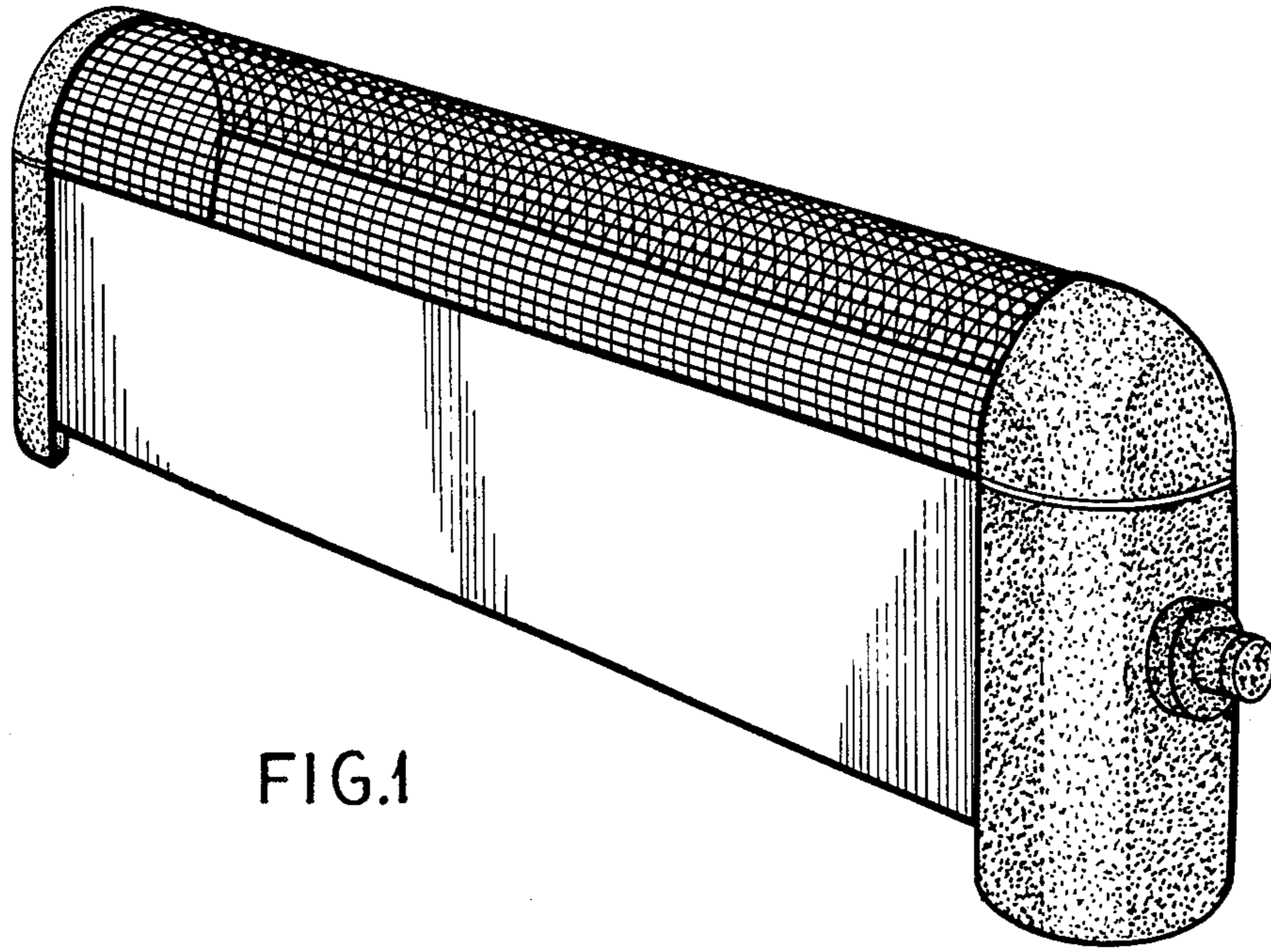


FIG.1

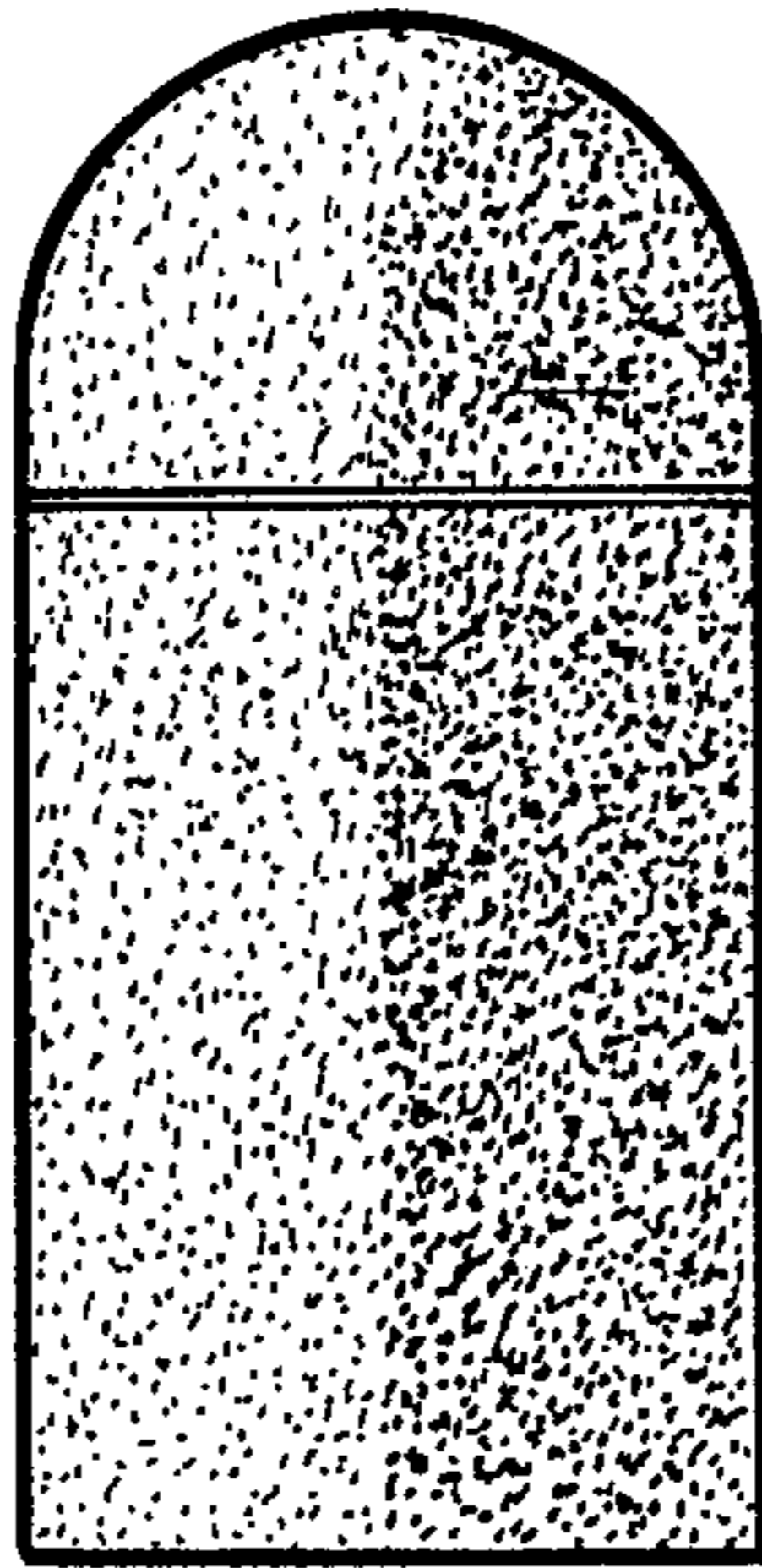


FIG.2

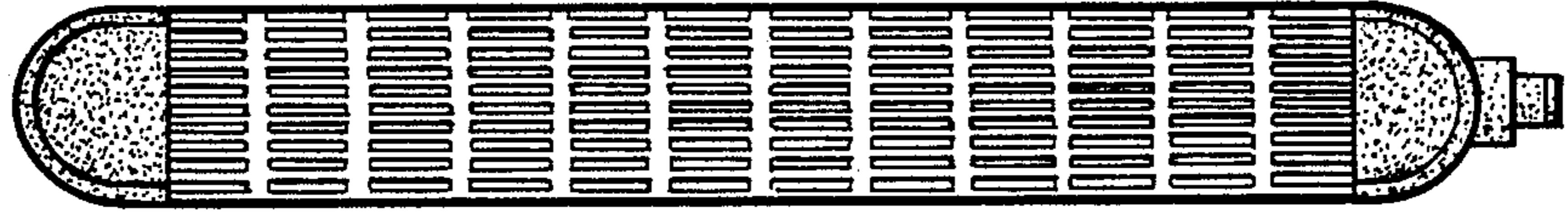


FIG. 3