

[54] **TOY BUILDING ELEMENT**

[75] **Inventor: Edel S. Anderson, Randbol, Denmark**
 [73] **Assignee: Interlego A.G., Baar, Switzerland**
 [**] **Term: 14 Years**
 [21] **Appl. No.: 349,355**
 [22] **Filed: May 9, 1989**
 [52] **U.S. Cl. D21/108**
 [58] **Field of Search D21/59, 108, 114, 117,
 D21/118, 119; 446/108, 115, 118, 124, 126, 85,
 93**

[56] **References Cited**

U.S. PATENT DOCUMENTS

D. 220,400	4/1971	Essman	D21/108
D. 290,476	6/1987	Ryaa et al.	D21/108
249,448	11/1881	Barnes	D21/117
1,568,252	1/1926	Strub	446/85
3,162,973	12/1964	Christiansen	D21/108
3,188,693	6/1965	Troyano	D21/108
4,808,140	2/1989	Clavet	D21/108

FOREIGN PATENT DOCUMENTS

111673 12/1917 United Kingdom 446/124

Primary Examiner—Charles A. Rademaker
Assistant Examiner—Alicia A. Farrell
Attorney, Agent, or Firm—Kane, Dalsimer, Sullivan,
 Kurucz, Levy, Eisele and Richard

[57] **CLAIM**

The ornamental design for toy building element, as shown and described.

DESCRIPTION

FIG. 1 is a top perspective view of a toy building element showing my new design;
 FIG. 2 is a bottom perspective view thereof;
 FIG. 3 is a top plan view thereof;
 FIG. 4 is a bottom plan view thereof;
 FIG. 5 is a left side elevational view thereof; the right side elevational view being identical;
 FIG. 6 is a front elevational view thereof; and
 FIG. 7 is a rear elevational view thereof.

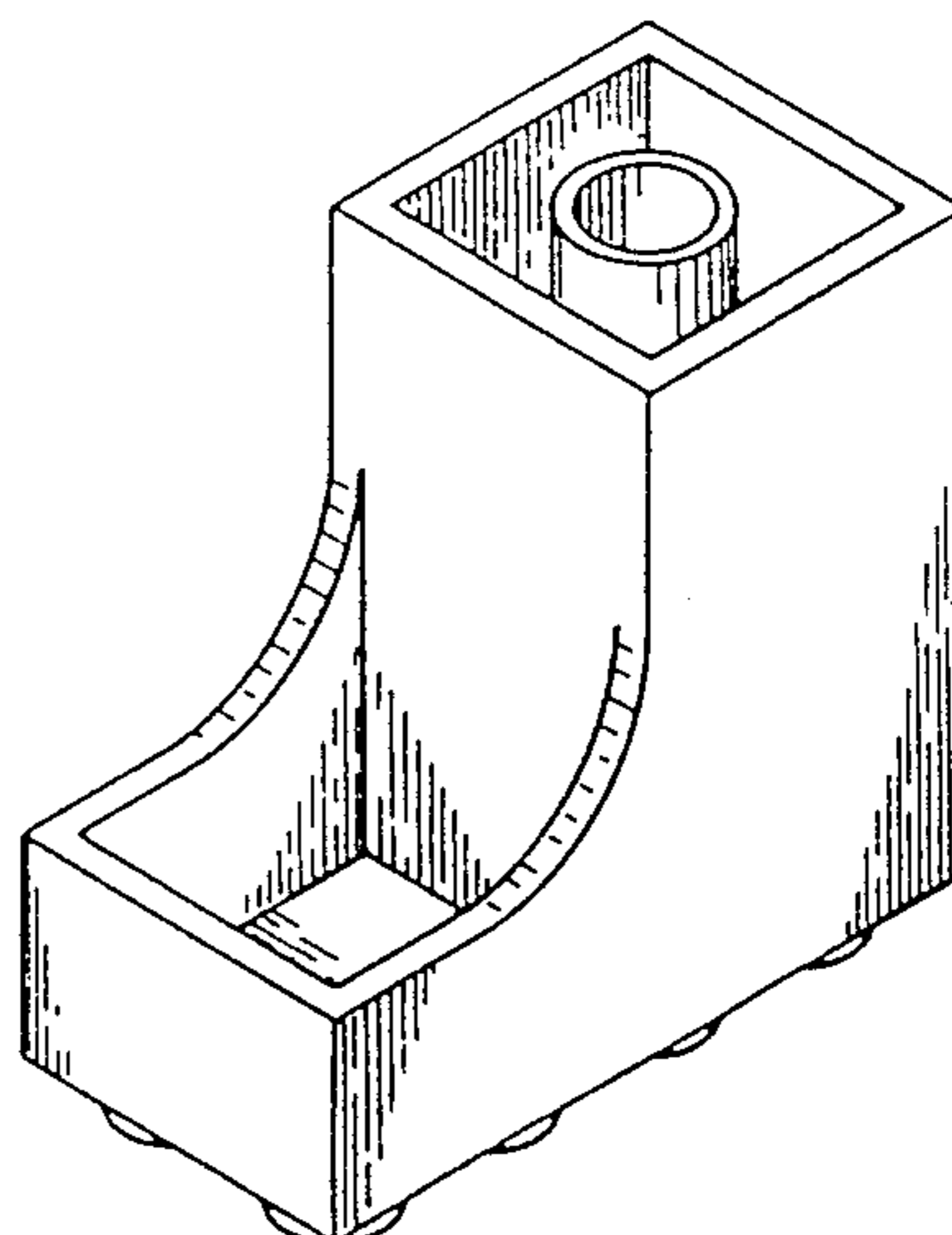
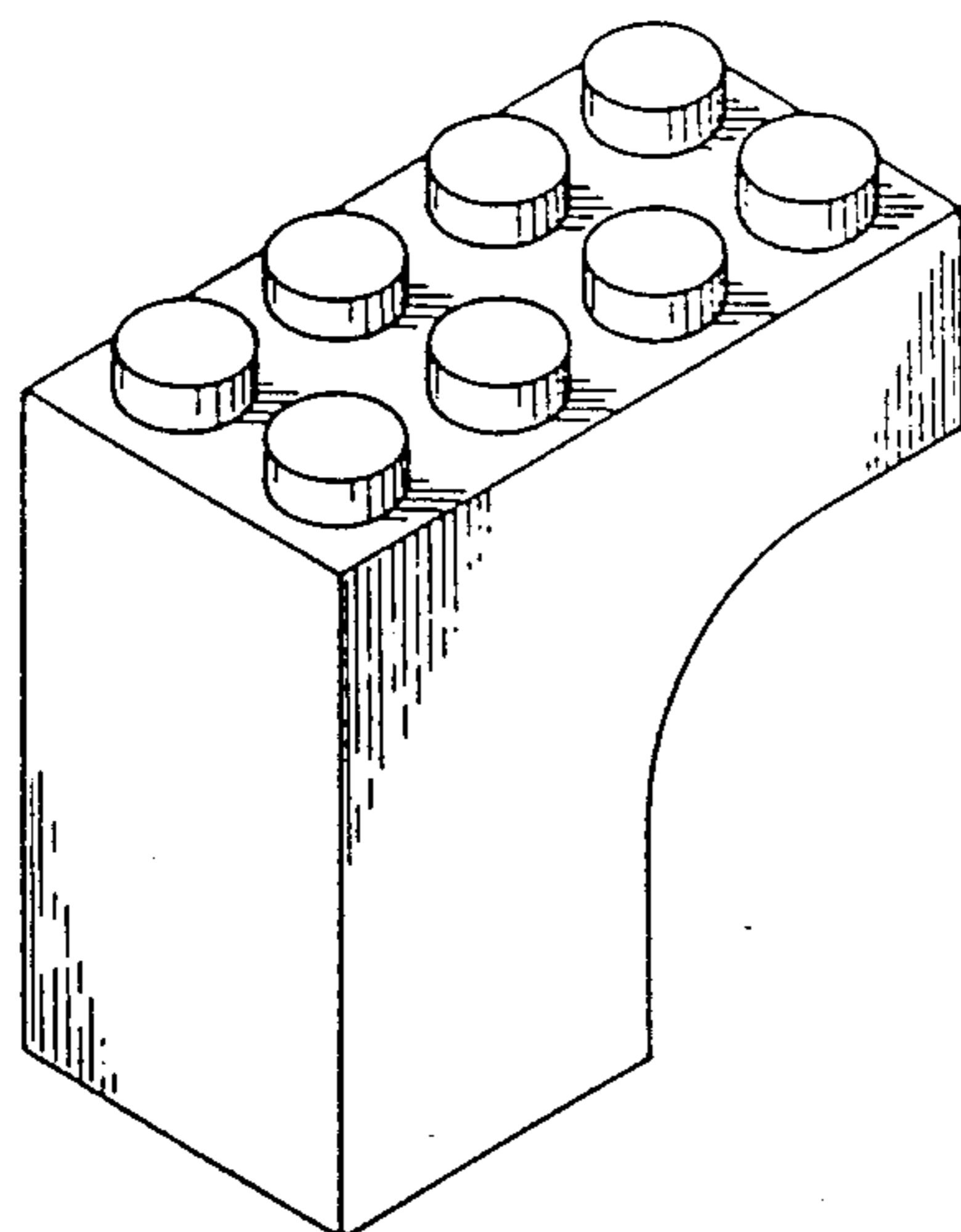


FIG.3

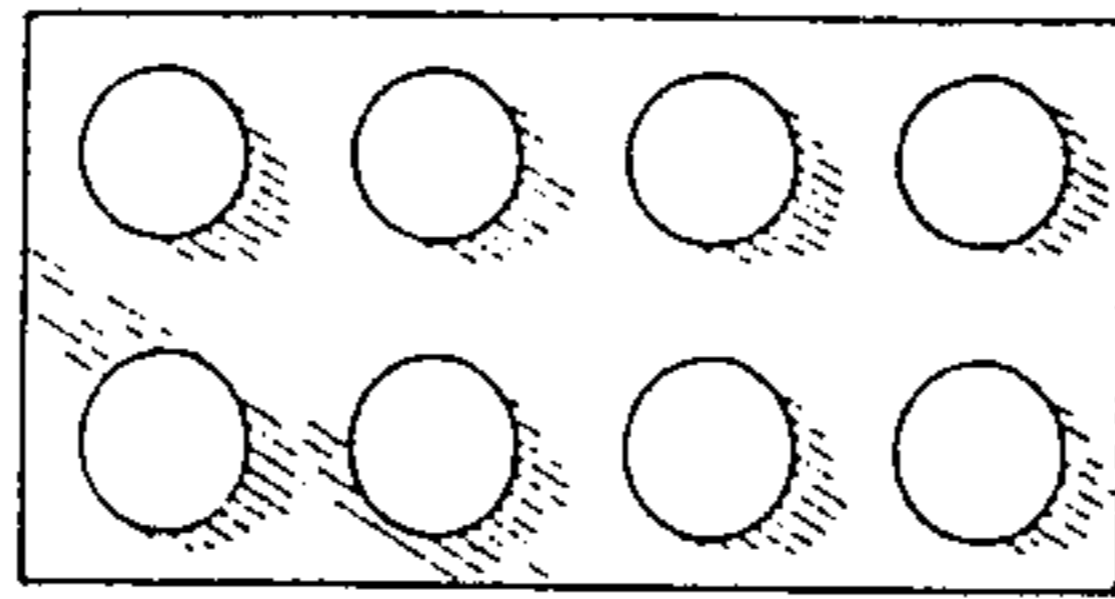


FIG.7

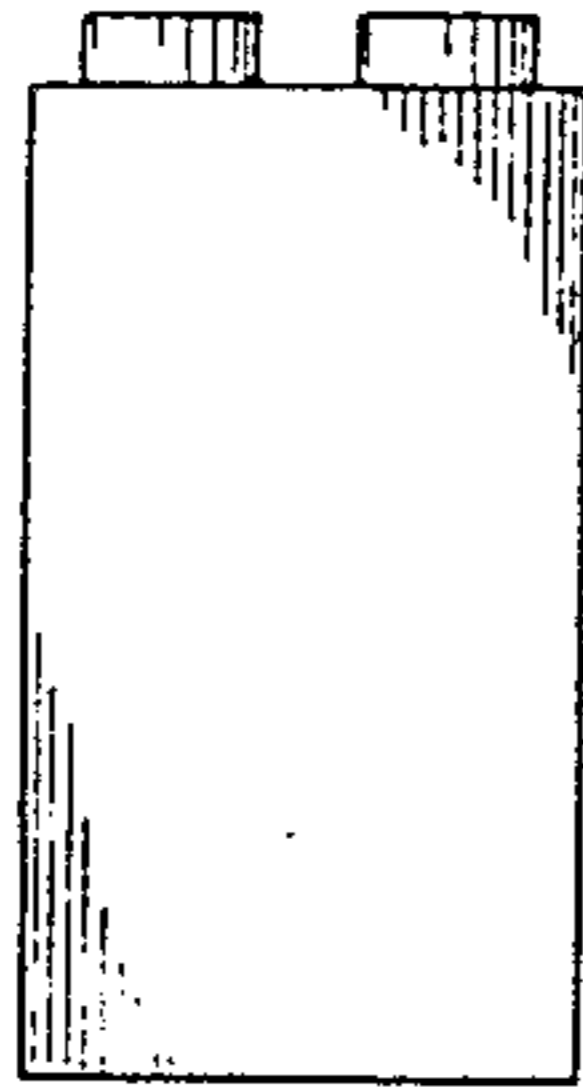


FIG.6

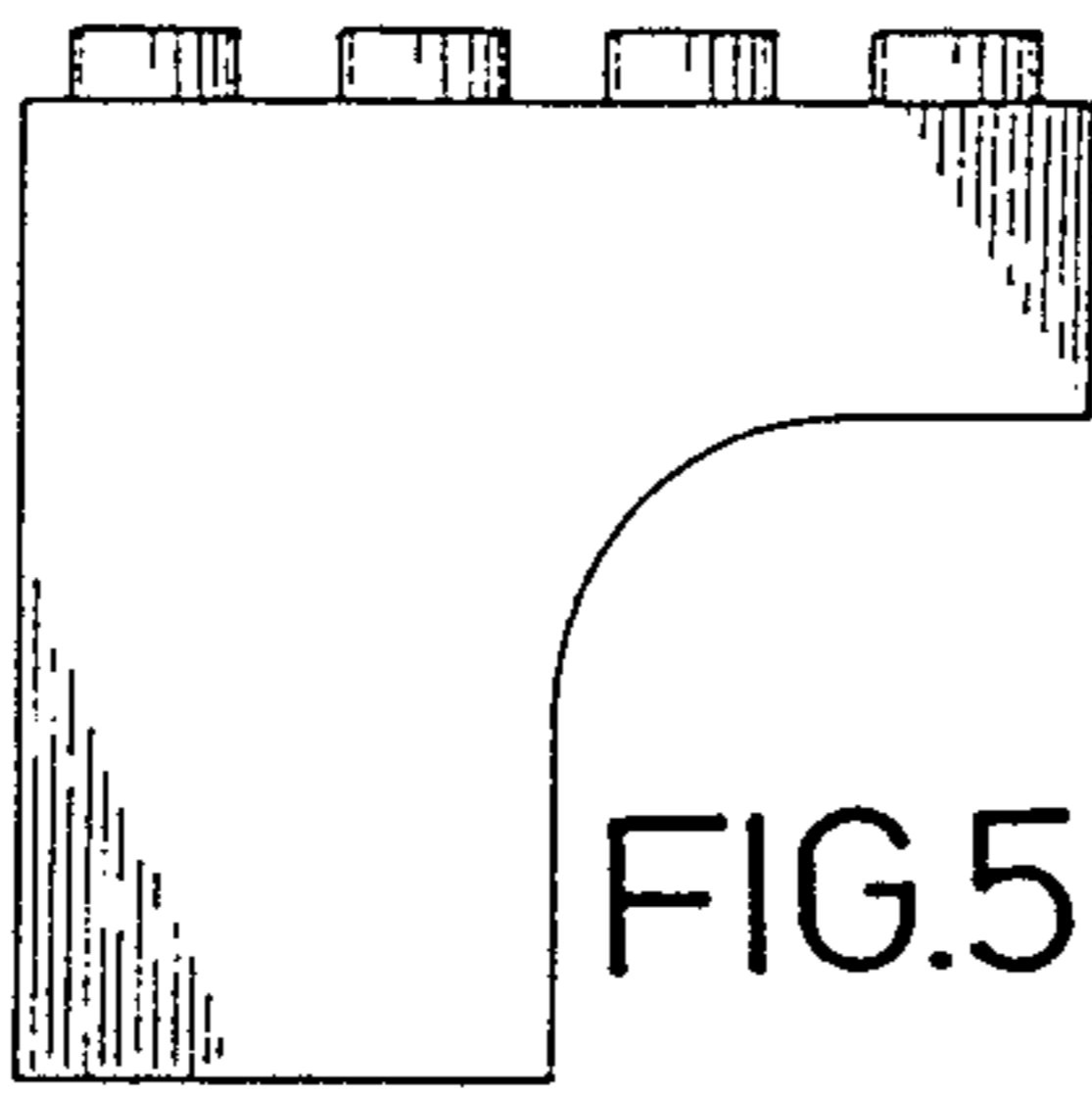


FIG.5

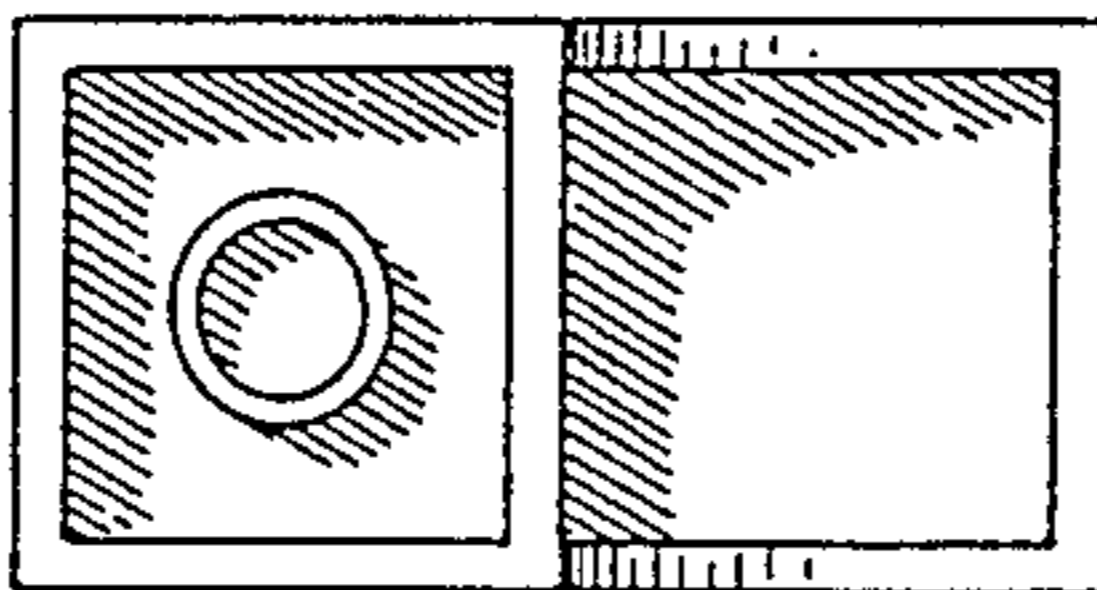


FIG.4

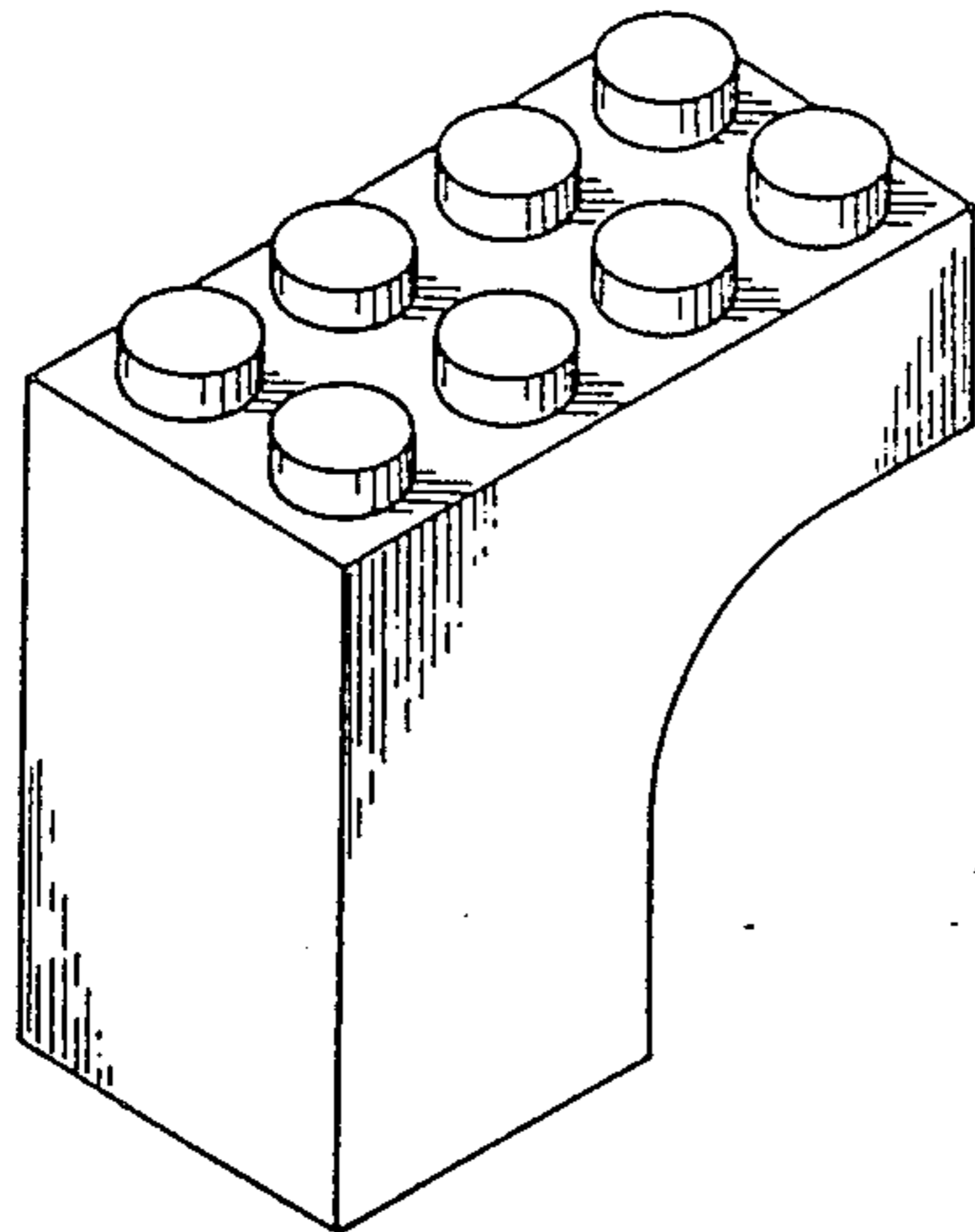


FIG.1

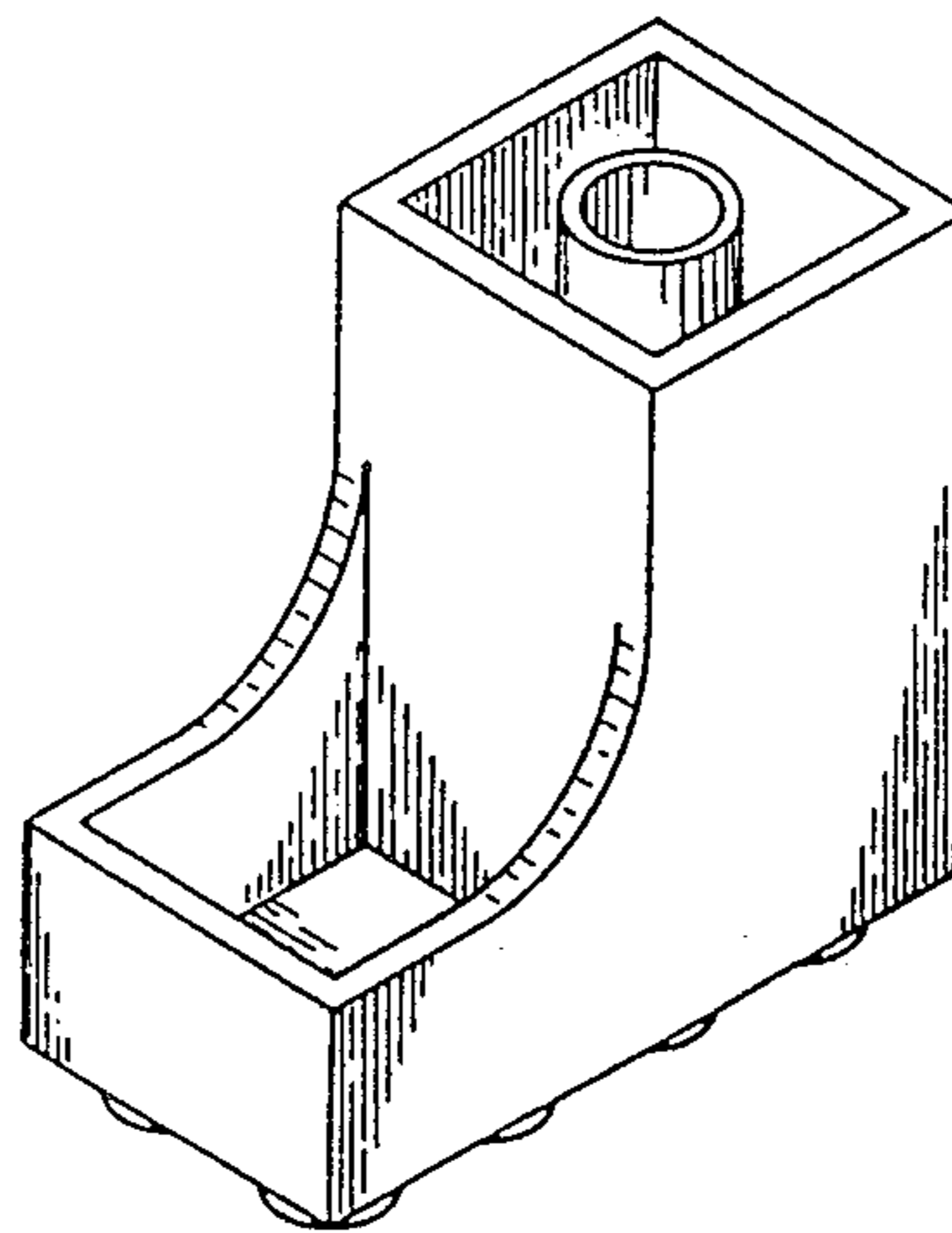


FIG.2