

[54] TOY BUILDING ELEMENT

[75] Inventor: Edel S. Andersen, Randbol, Denmark

[73] Assignee: Interlego A.G., Baar, Switzerland

[**] Term: 14 Years

[21] Appl. No.: 349,356

[22] Filed: May 9, 1989

[52] U.S. Cl. D21/108

[58] Field of Search D21/59, 108, 114, 117, D21/118, 119; 446/108, 115, 118, 124, 126, 85, 93

[56] References Cited

U.S. PATENT DOCUMENTS

- D. 285,100 8/1986 Volpe D21/108
- 2,882,689 4/1959 Huch et al. D21/108
- 4,385,467 5/1983 Samuels 446/118

4,758,195 7/1988 Walsh 446/85

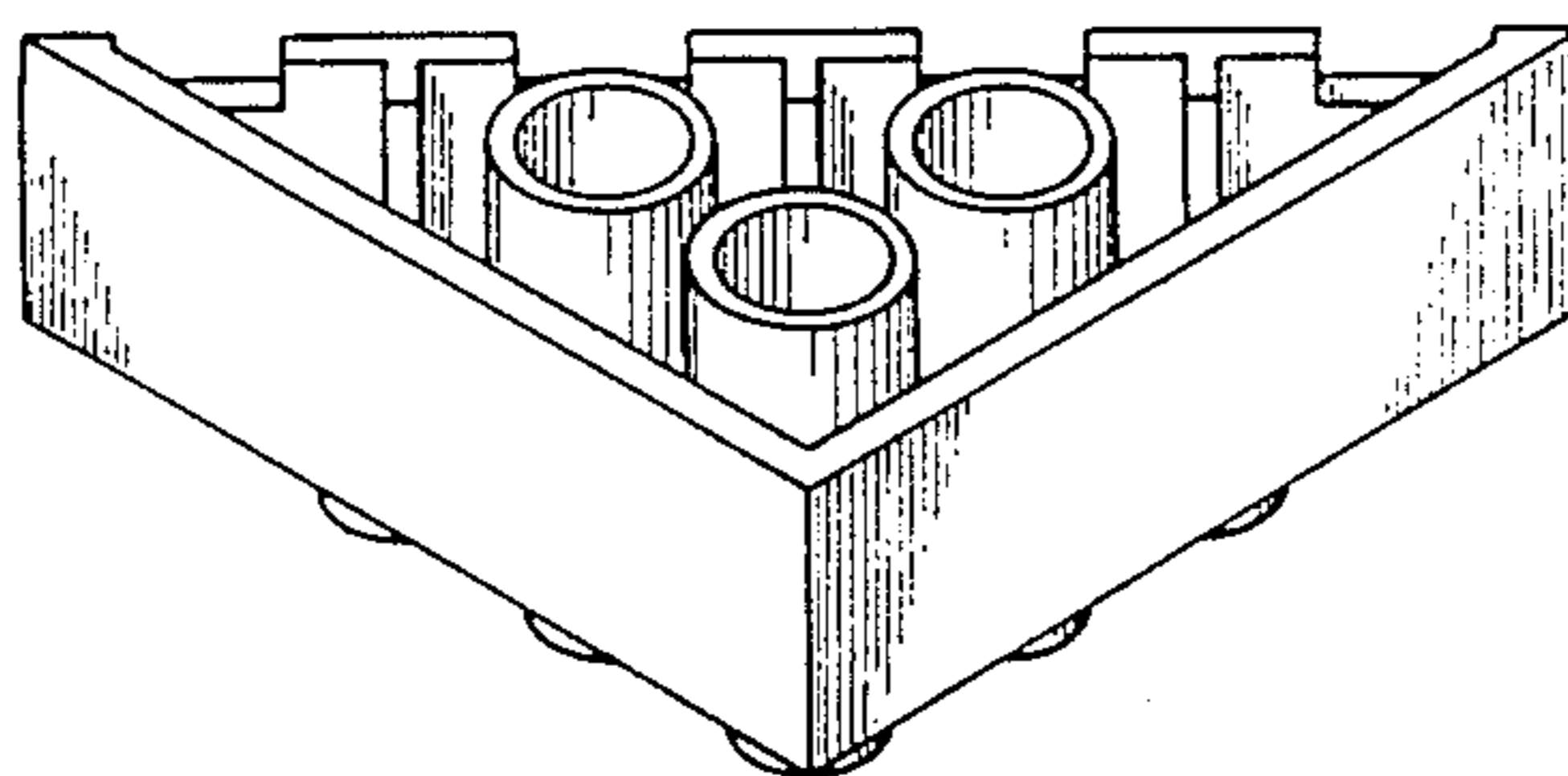
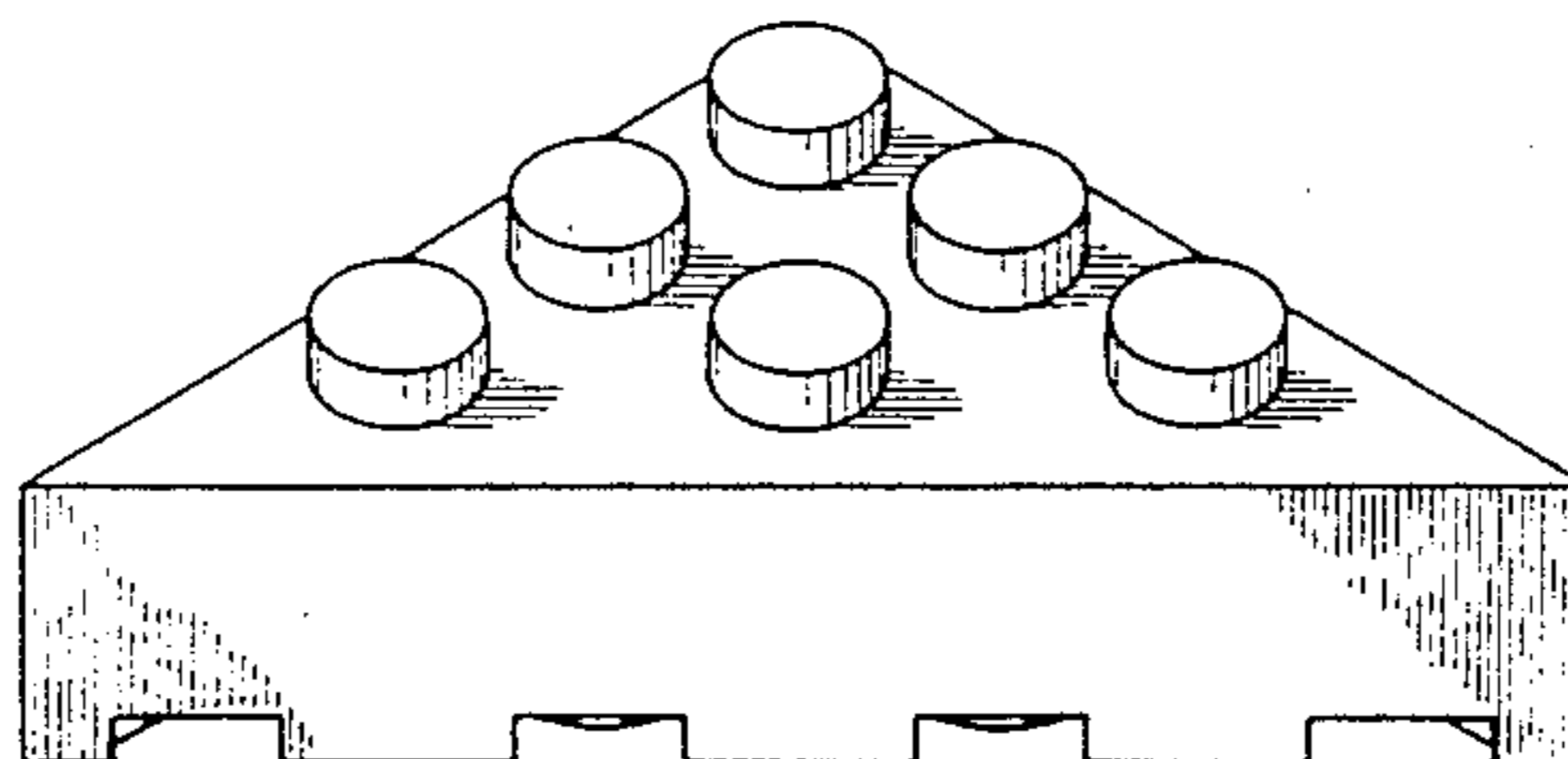
Primary Examiner—Charles A. Rademaker
Assistant Examiner—Alicia A. Farrell
Attorney, Agent, or Firm—Kane, Dalsimer, Sullivan, Kurucz, Levy, Eisele and Richard

[57] CLAIM

The ornamental design for toy building element, as shown and described.

DESCRIPTION

FIG. 1 is a top perspective view of a toy building element showing my new design;
FIG. 2 is a bottom perspective view thereof;
FIG. 3 is a top plan view thereof;
FIG. 4 is a bottom plan view thereof;
FIG. 5 is a right side elevational view thereof;
FIG. 6 is a front elevational view thereof; and
FIG. 7 is a left side elevational view thereof.



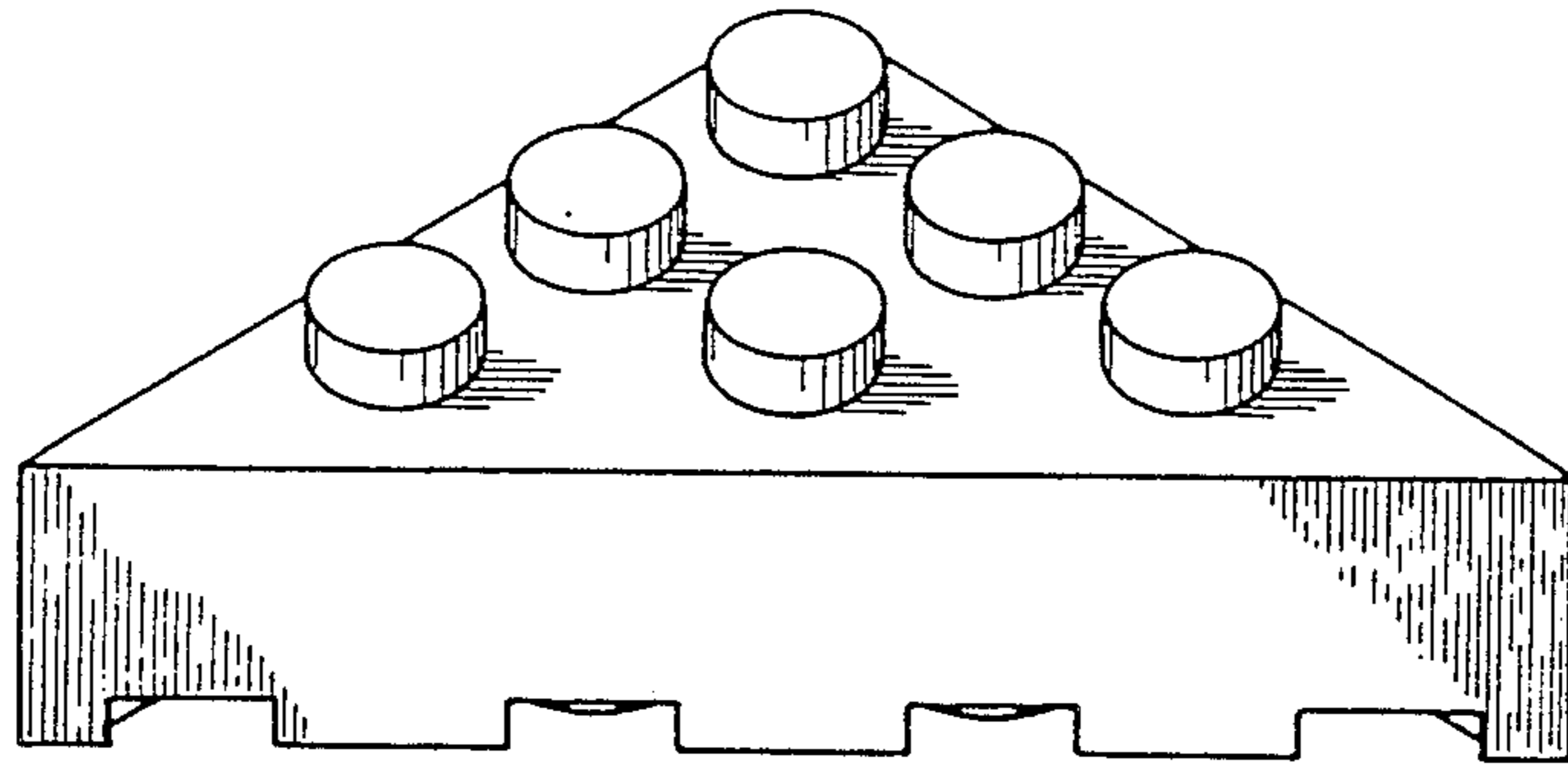


FIG. 1

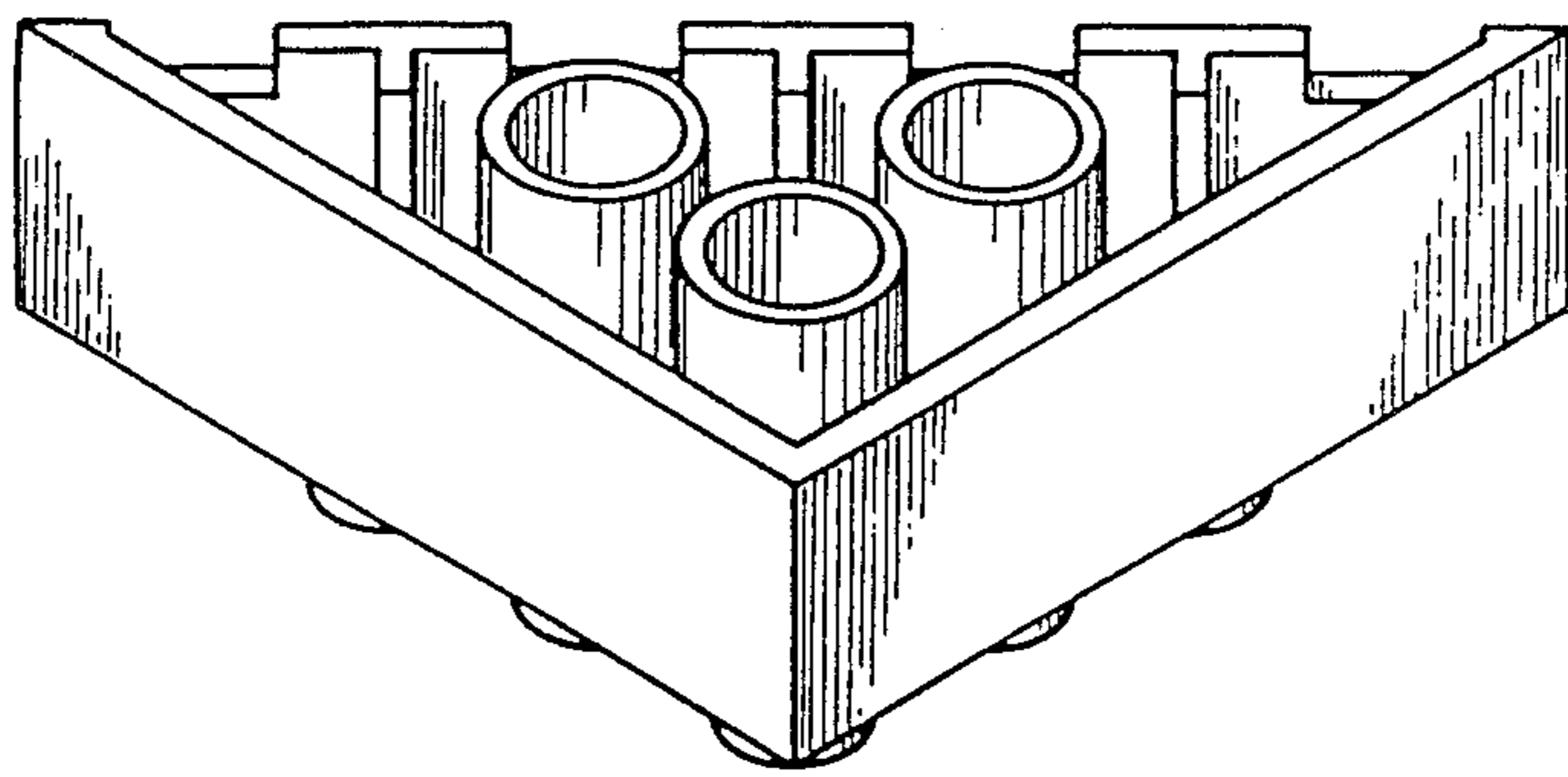


FIG. 2

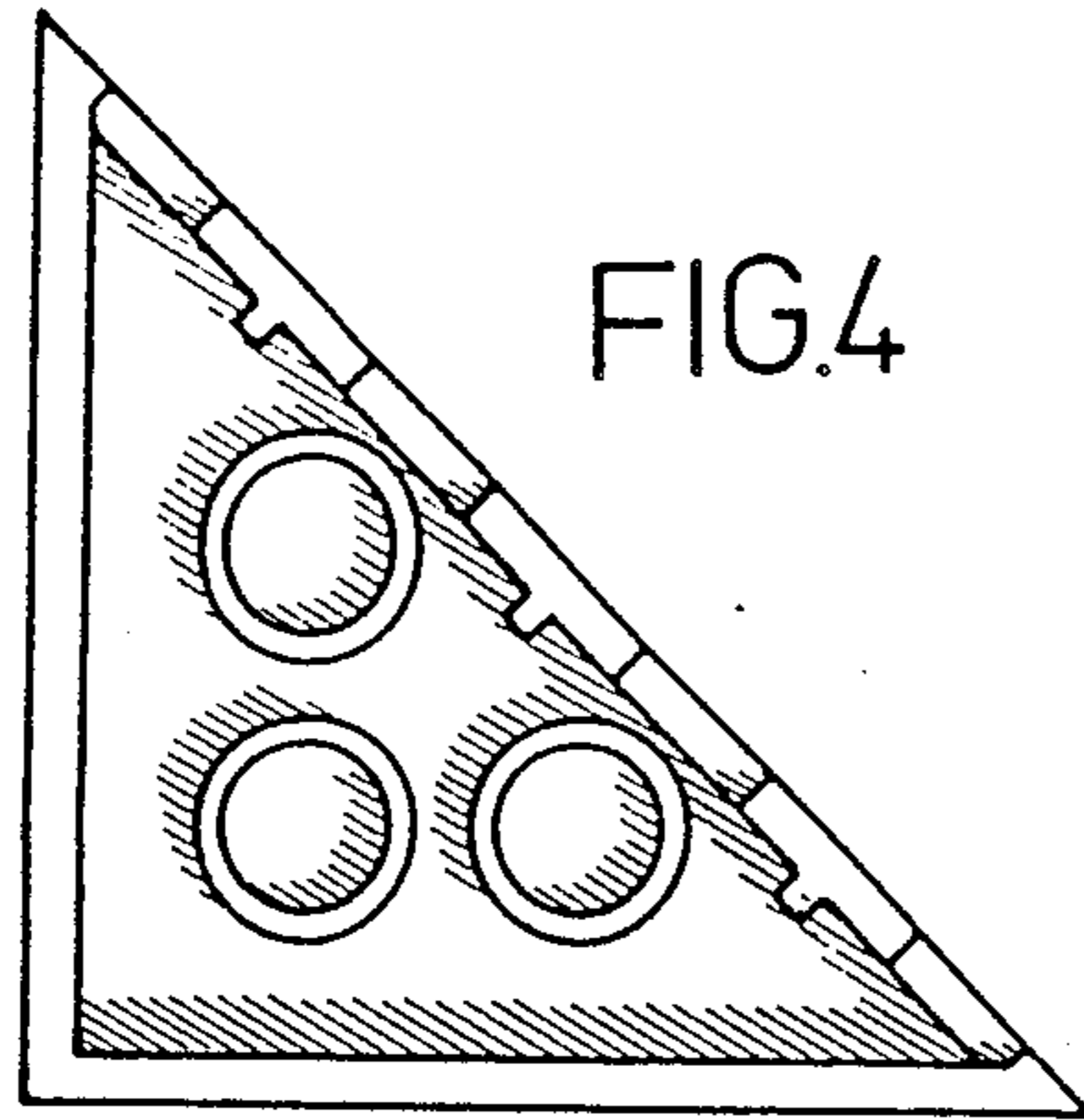


FIG.4

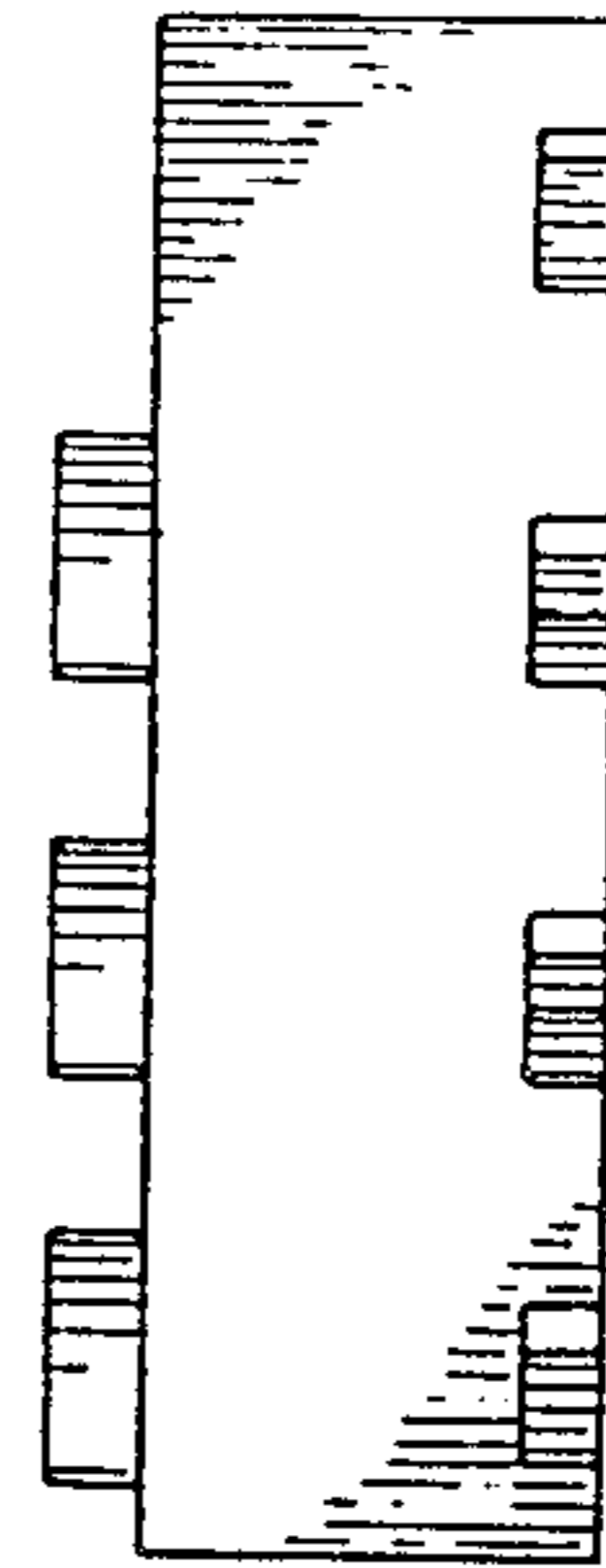


FIG.6

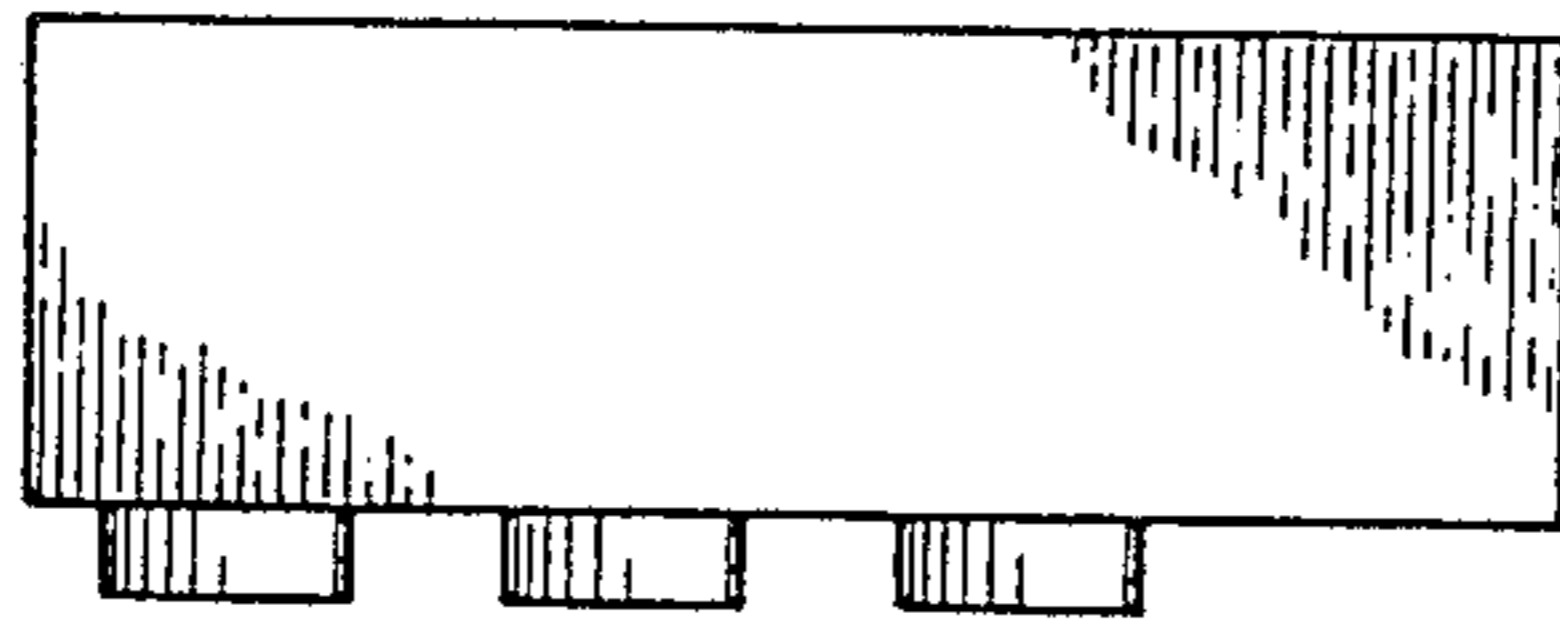


FIG.5

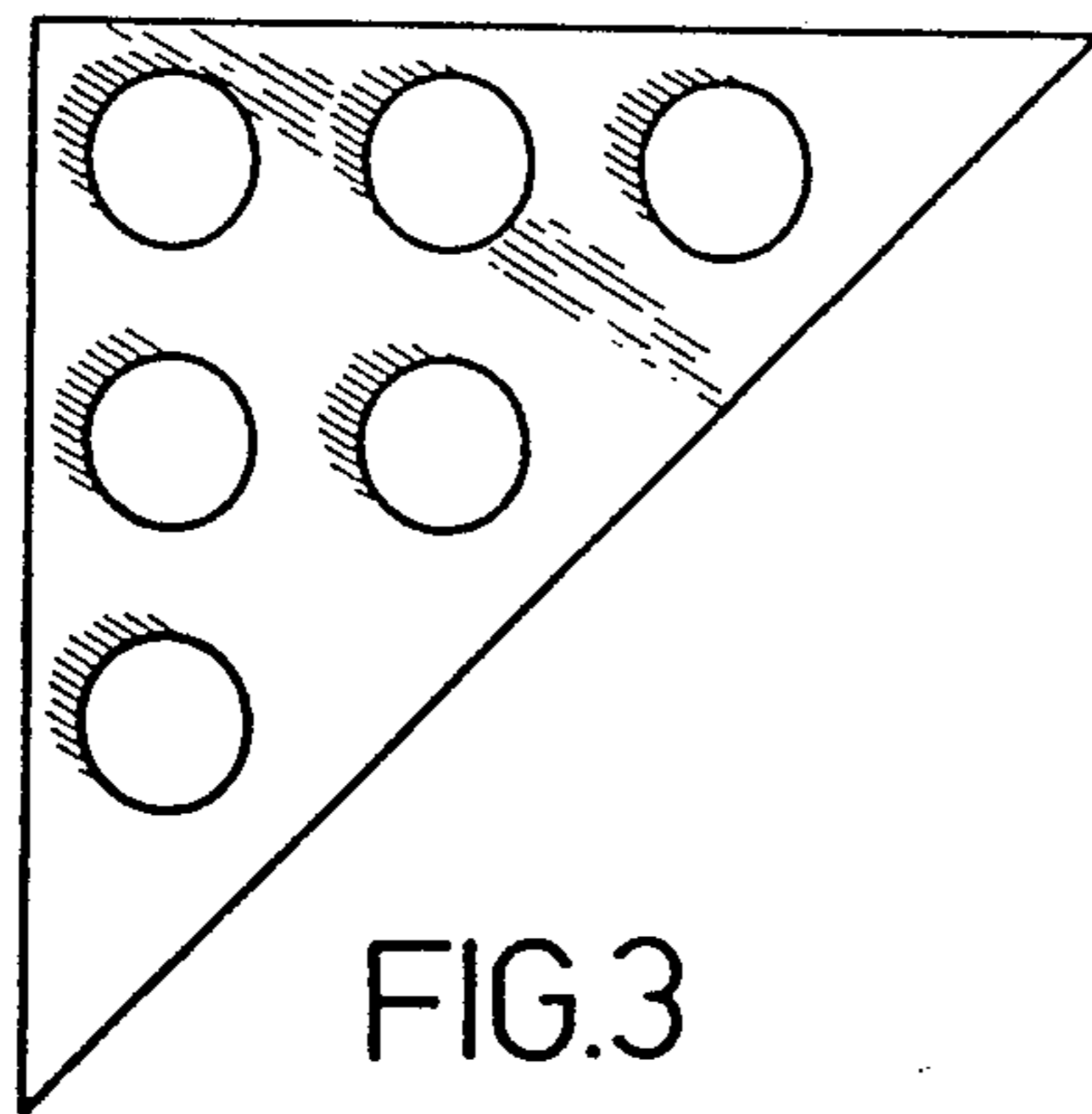


FIG.3

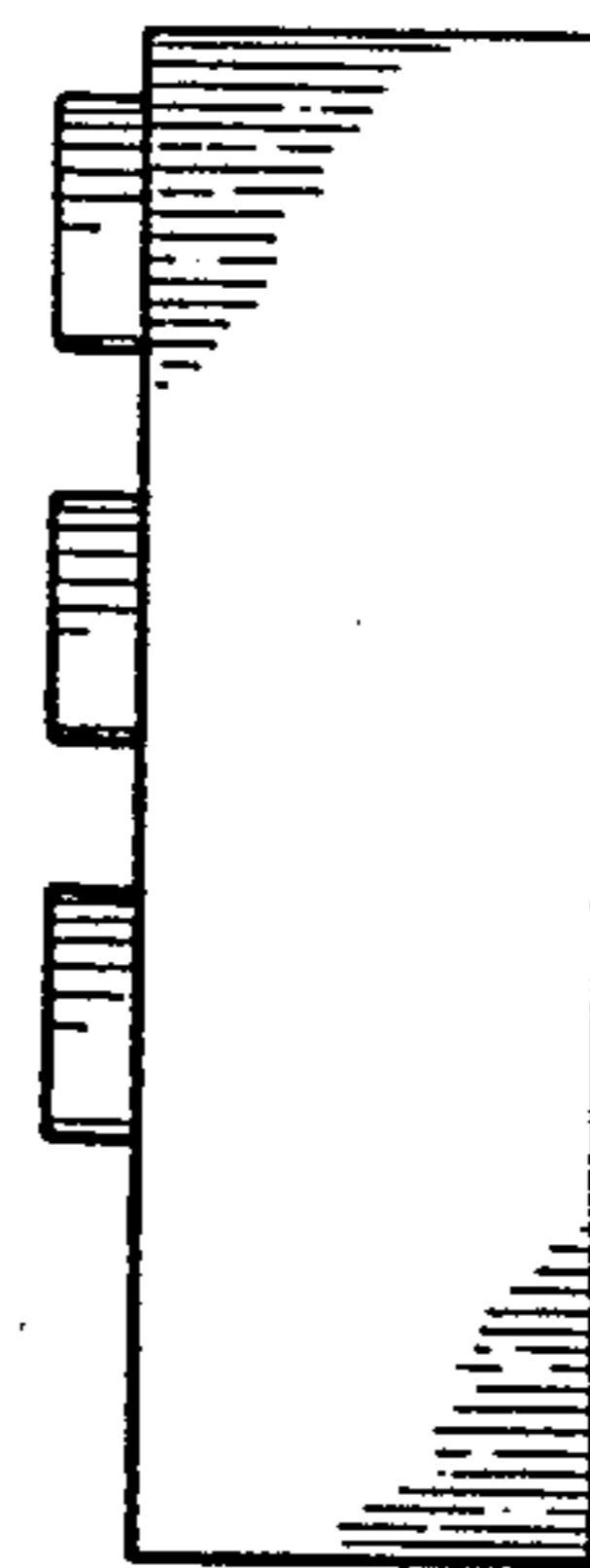


FIG.7