

[54] SIGN HOUSING FOR RECEIVING ILLUMINABLE INSERTABLE CAPS

4,574,269 3/1986 Miller ..... 40/541  
4,738,043 4/1988 Ernst ..... 40/622

[76] Inventor: Allen J. Fox, 6872 S. Marion Cir. E., Littleton, Colo. 80122

Primary Examiner—Wallace R. Burke  
Assistant Examiner—Marcus Jackson  
Attorney, Agent, or Firm—Fields, Lewis, Pittenger & Rost

[\*\*] Term: 14 Years

[21] Appl. No.: 223,540

[57] CLAIM

The ornamental design for a sign housing for receiving illuminable insertable caps, as shown and described.

[22] Filed: Jul. 25, 1988

[52] U.S. Cl. .... D20/10

[58] Field of Search ..... D20/10, 18, 27, 29, D20/39; 40/541, 542, 543, 544, 551, 552, 559, 452, 453, 582, 611, 161, 618, 622

DESCRIPTION

FIG. 1 is a bottom plan view of a sign housing for receiving illuminable insertable caps showing my new design;

[56] References Cited

U.S. PATENT DOCUMENTS

D. 111,583	10/1938	Kay	.....	D20/10
3,497,079	2/1970	Kulwicz	.....	40/618
3,605,303	9/1971	Reichow	.....	40/611
3,720,012	3/1973	Loper	.....	40/618

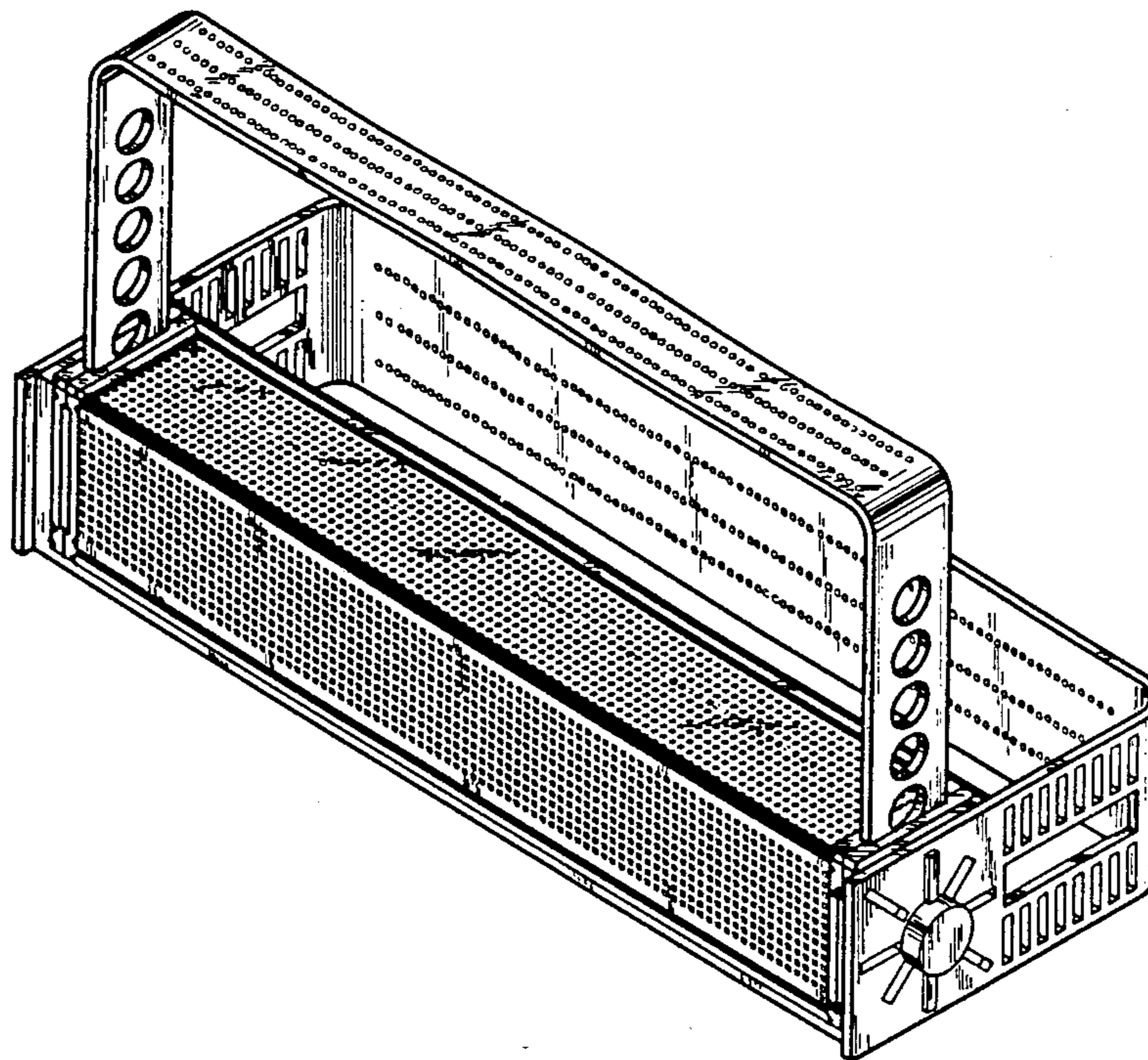
FIG. 2 is a right end elevational view thereof with the left end elevational view being the same;

FIG. 3 is a back elevational view thereof;

FIG. 4 is a top plan view thereof; and

FIG. 5 is a front elevational view thereof.

FIG. 6 is a perspective view thereof.



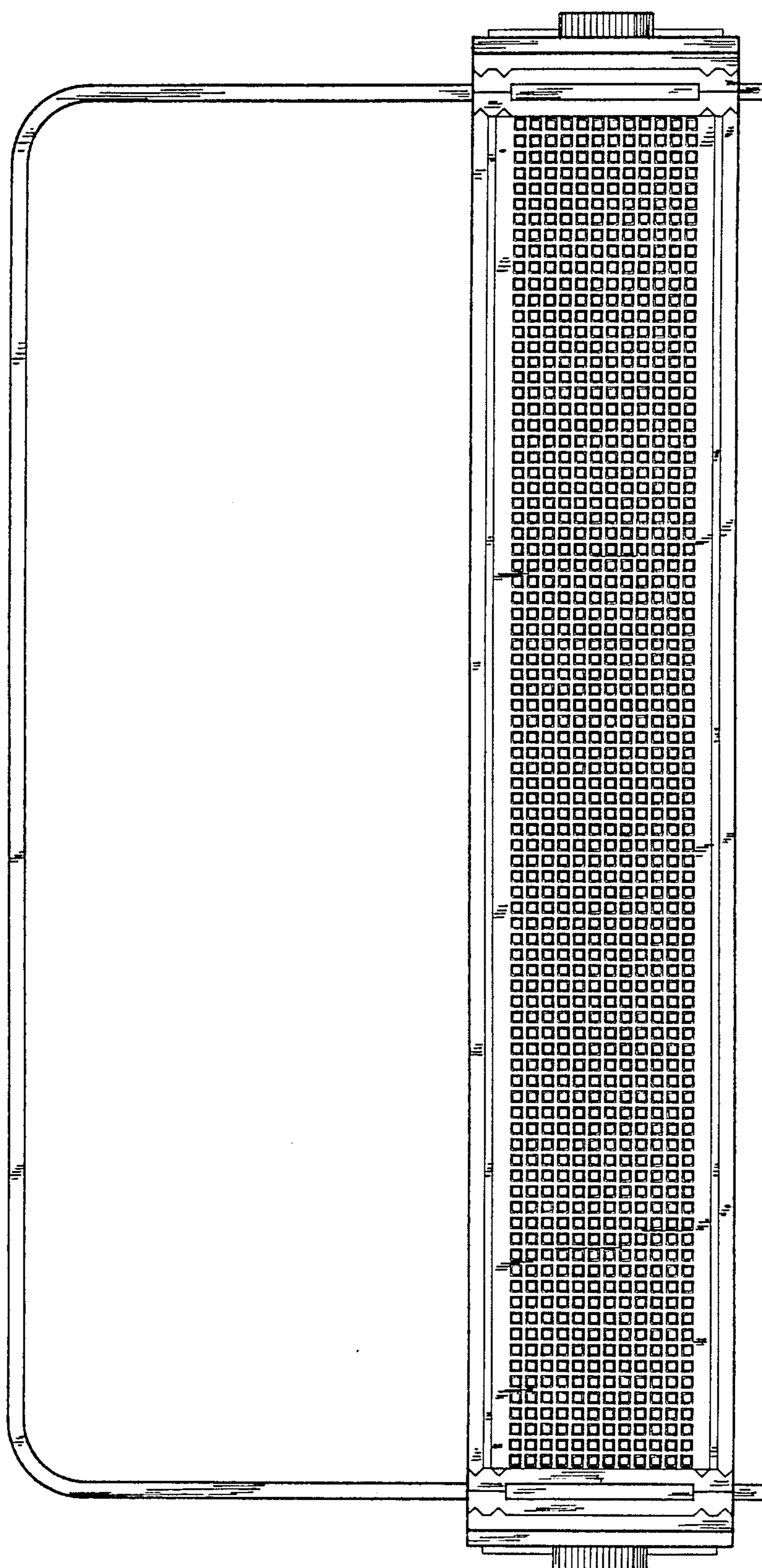


FIG. 1

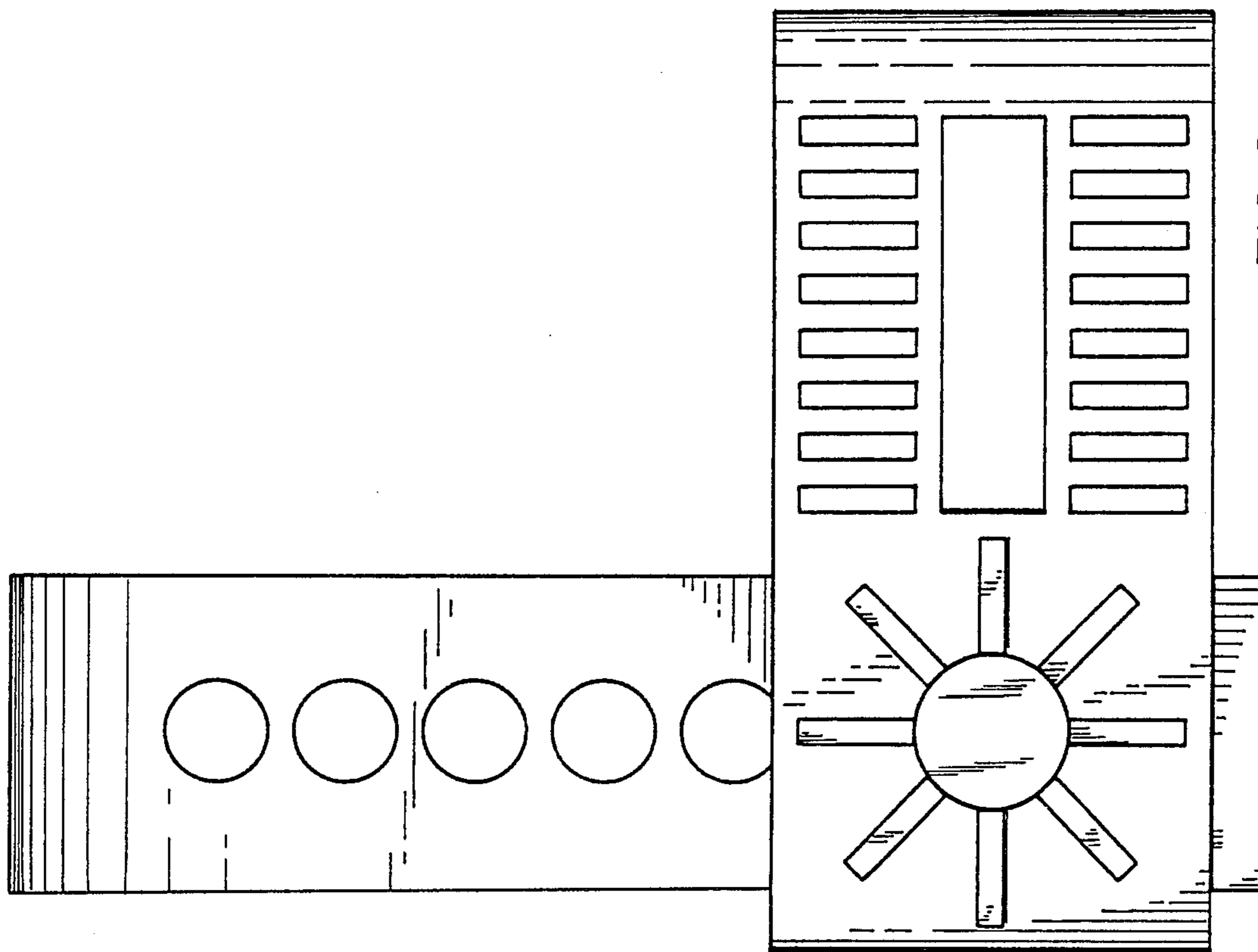


FIG. 2

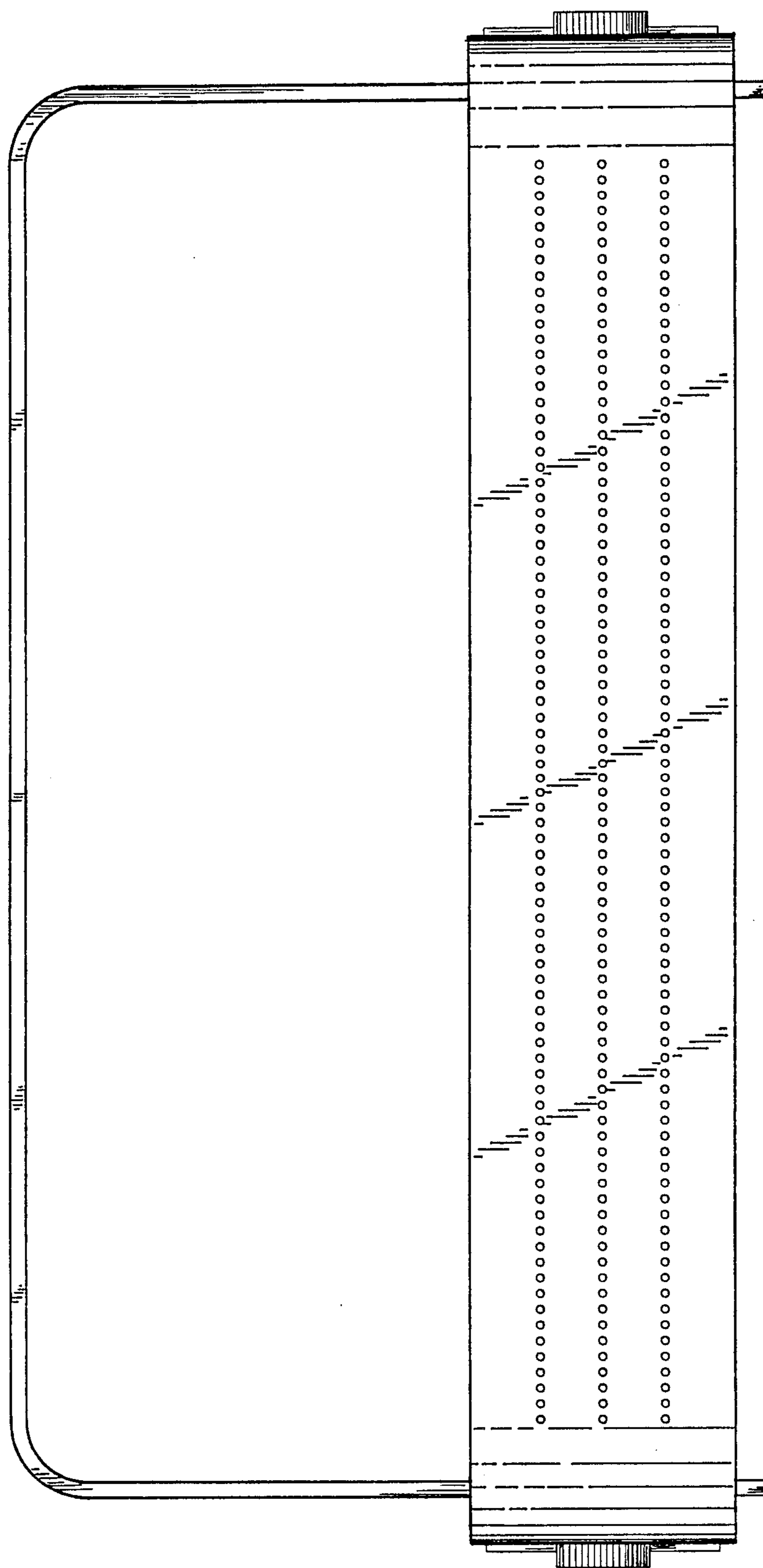


FIG.3



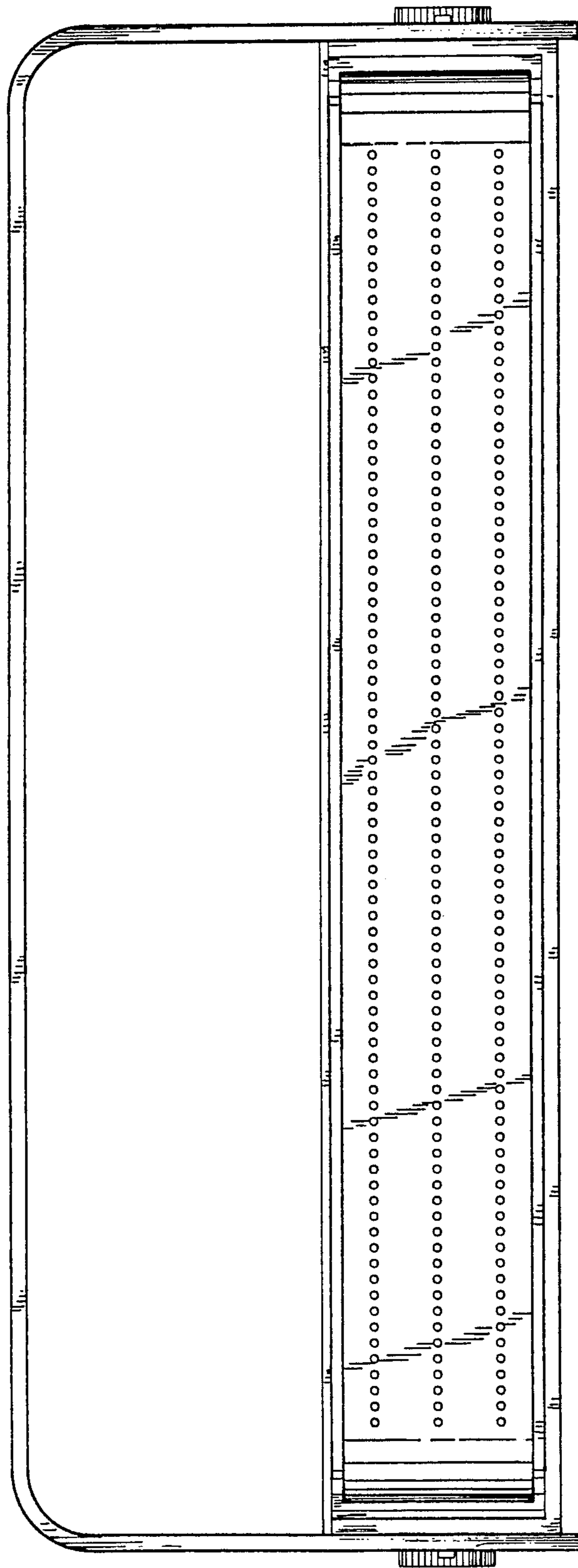


FIG.4

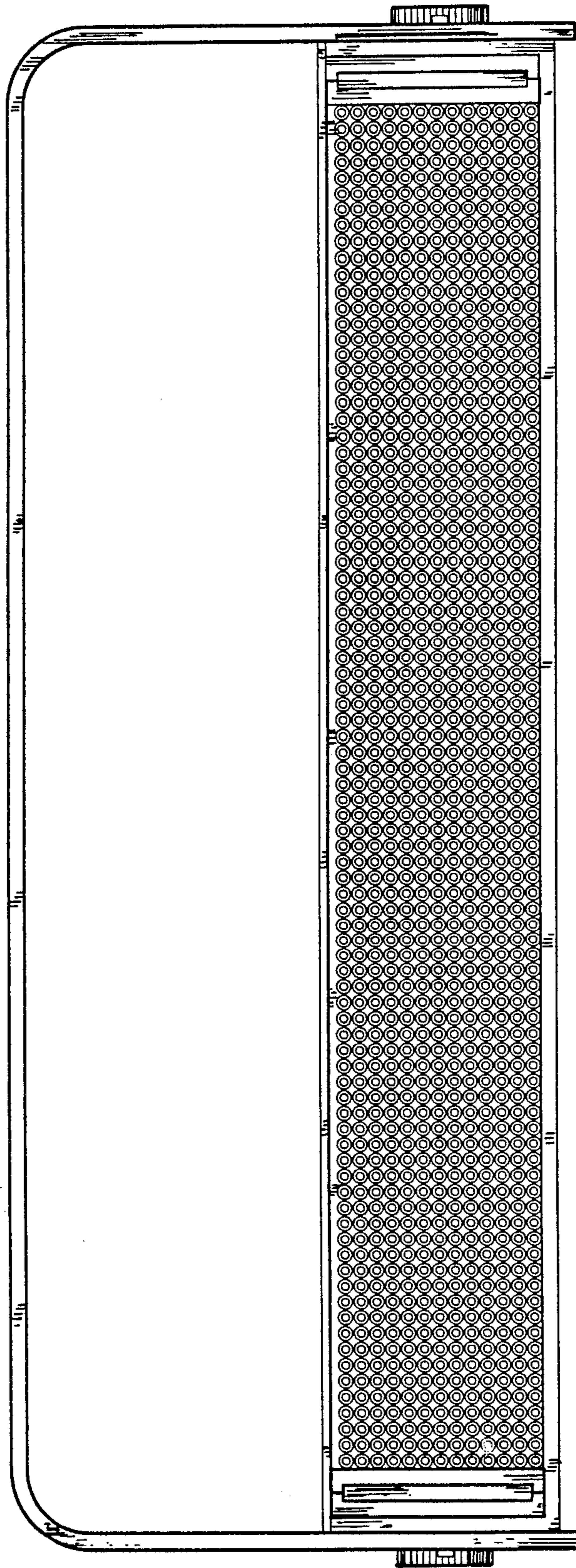


FIG. 5

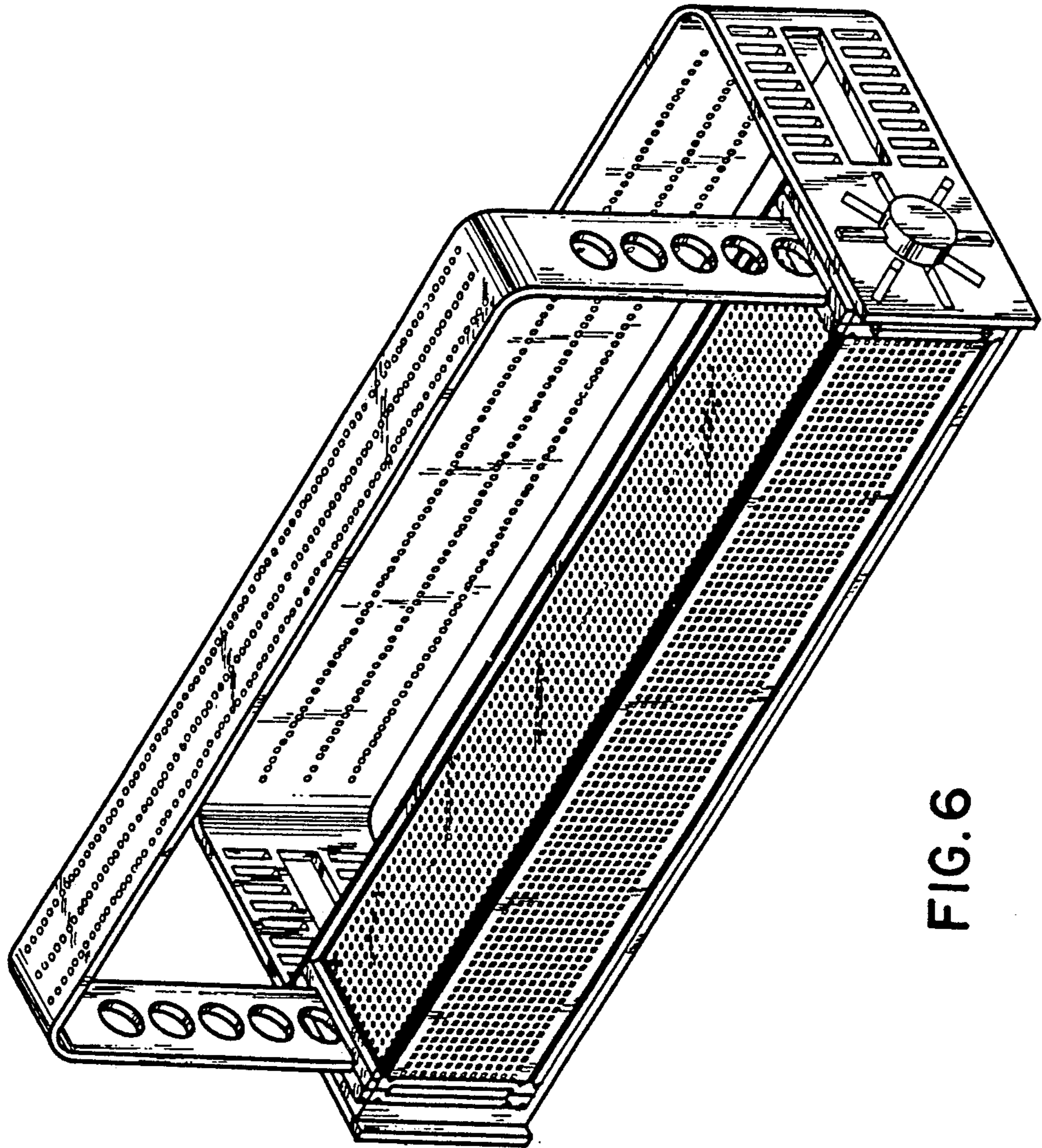


FIG. 6