

[54] TOP MOUNT FAN FOLD PAPER COLLECTOR

[76] Inventors: Gary J. Savela, 7659 64th St. N., Mahtomedia, Minn. 55115; Brian M. Larson, 3438 Taylor St., NE., Minneapolis, Minn. 55418

[**] Term: 14 Years

[21] Appl. No.: 74,480

[22] Filed: Jul. 1, 1987

[52] U.S. Cl. D18/22

[58] Field of Search D18/34, 40, 42; D8/371, D8/366; D19/86, 92

[56] References Cited

U.S. PATENT DOCUMENTS

D. 269,528	6/1983	Sokolowski	D18/22
D. 275,771	10/1984	Evans	D19/92
D. 297,335	8/1988	Atwell	D19/86
2,534,391	12/1950	Von Duyke	400/613.2
4,107,700	8/1978	Jornod	400/613.2
4,226,410	10/1980	McIntosh, Sr. et al.	400/613.2
4,541,749	9/1985	McCoy	400/613.2
4,696,591	9/1987	Boyden	226/196
4,707,156	11/1987	Clark	400/613.2
4,749,295	6/1988	Bankier et al.	400/613.2
4,773,781	9/1988	Bankier	400/613.2

FOREIGN PATENT DOCUMENTS

0011072	1/1982	Japan	400/613.2
2847583	5/1980	Netherlands	400/613.2

OTHER PUBLICATIONS

IBM Technical Disclosure Bulletin; vol. 4, No. 1, Jun. 1961; Fan-Fold Paper Rack.
IBM Technical Disclosure Bulletin; vol. 23, No. 11, Apr. 1981; Fan Fold Paper Former.
The Drawing Board Computer Supplies Catalog; 1985 Fall; p. 57; Item #77655 & #77660.
Devoke Computer Support Parts Catalog; Fall/Winter 1987; p. 6, Item #9810-1; p. 46, Item #8325-1.

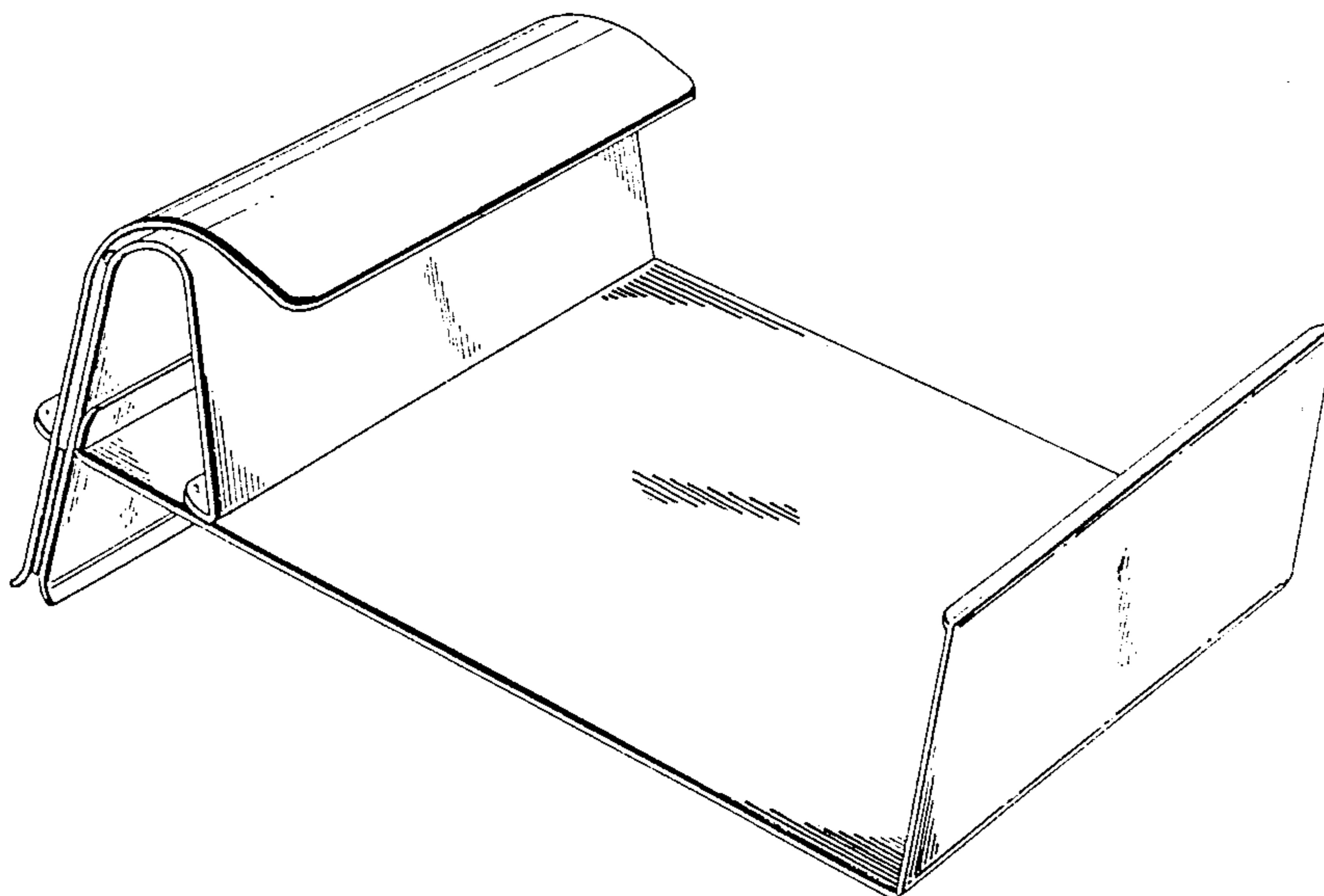
Primary Examiner—James R. Largen
Assistant Examiner—Cathy Anne MacCormac
Attorney, Agent, or Firm—Kinney & Lange

[57] CLAIM

The ornamental design for a top mount fan fold paper collector, as shown and described.

DESCRIPTION

FIG. 1 is a top, front and right side perspective view of a top mount fan fold paper collector showing my new design;
FIG. 2 is a left side elevational view thereof, the right side being a mirror image of the left side shown;
FIG. 3 is a front elevational view thereof;
FIG. 4 is a rear elevational view thereof;
FIG. 5 is a top plan view thereof; and
FIG. 6 is a bottom plan view thereof.



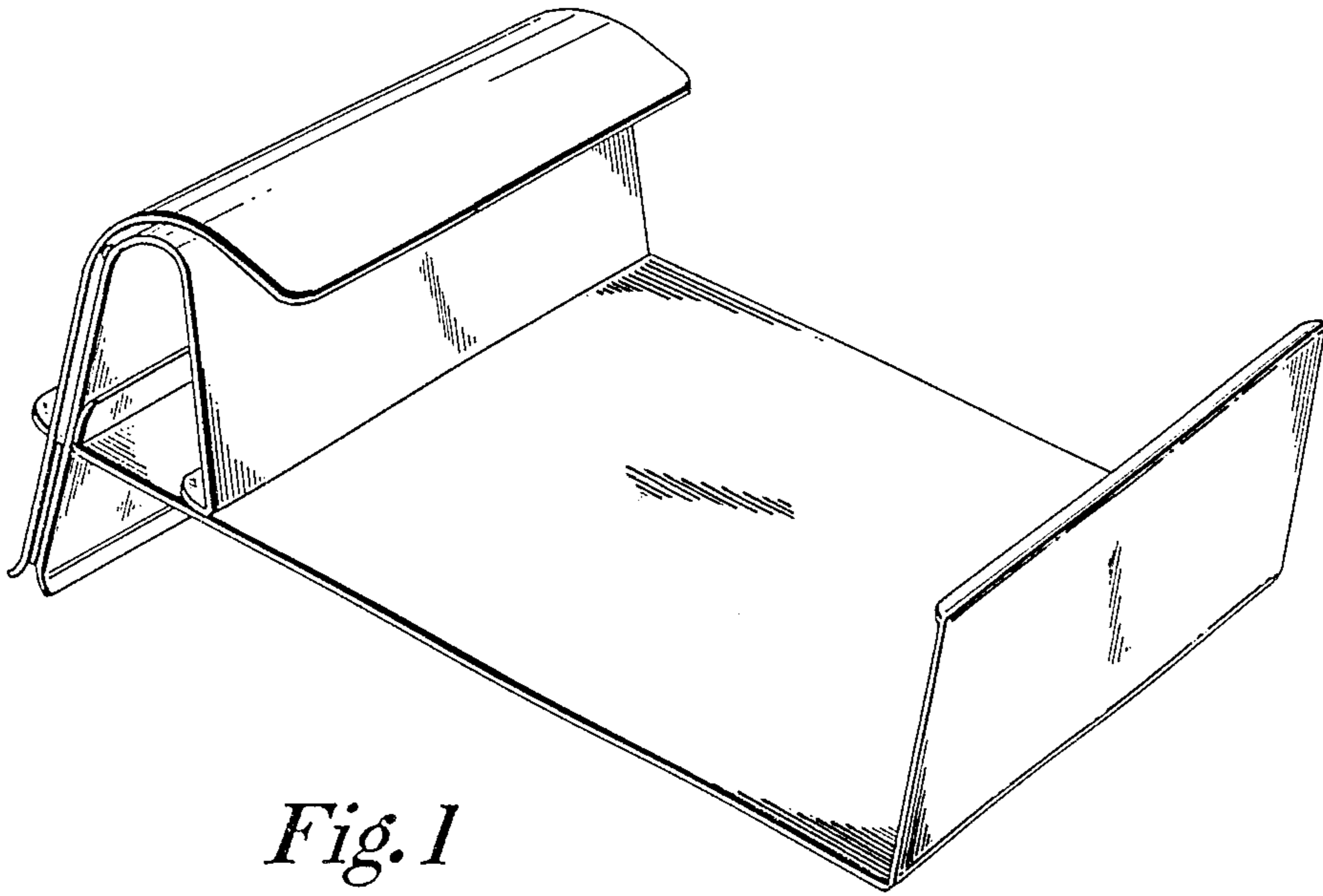


Fig. 1

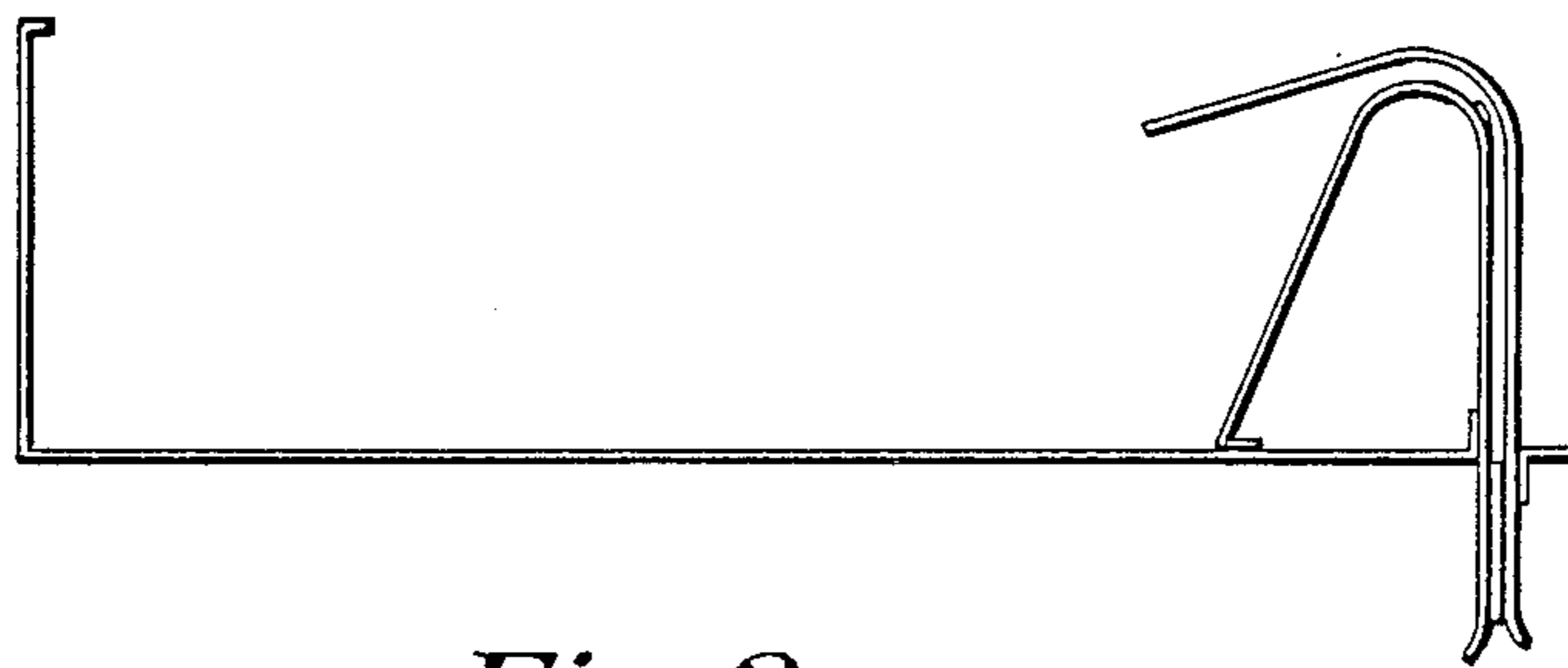


Fig. 2

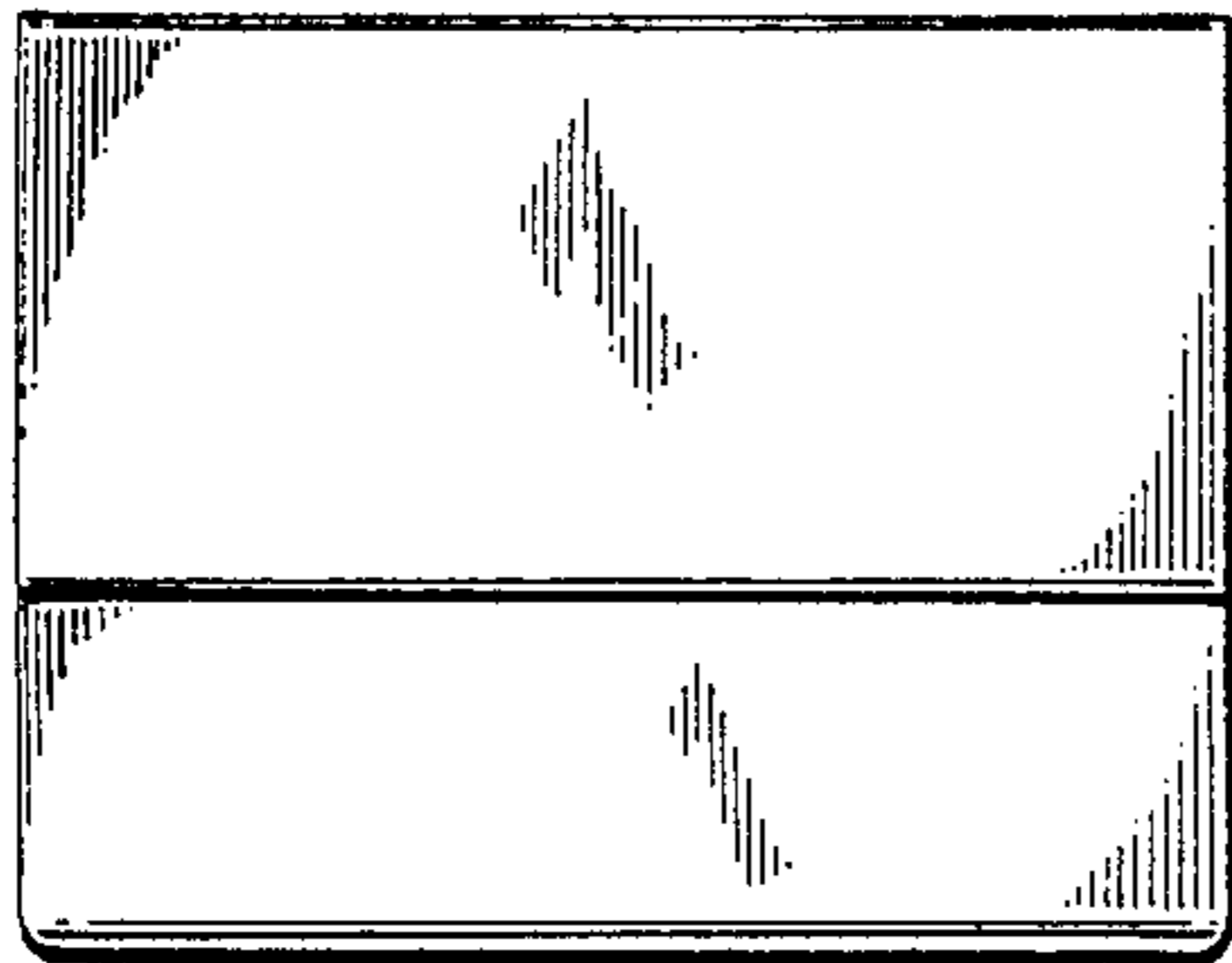


Fig. 3

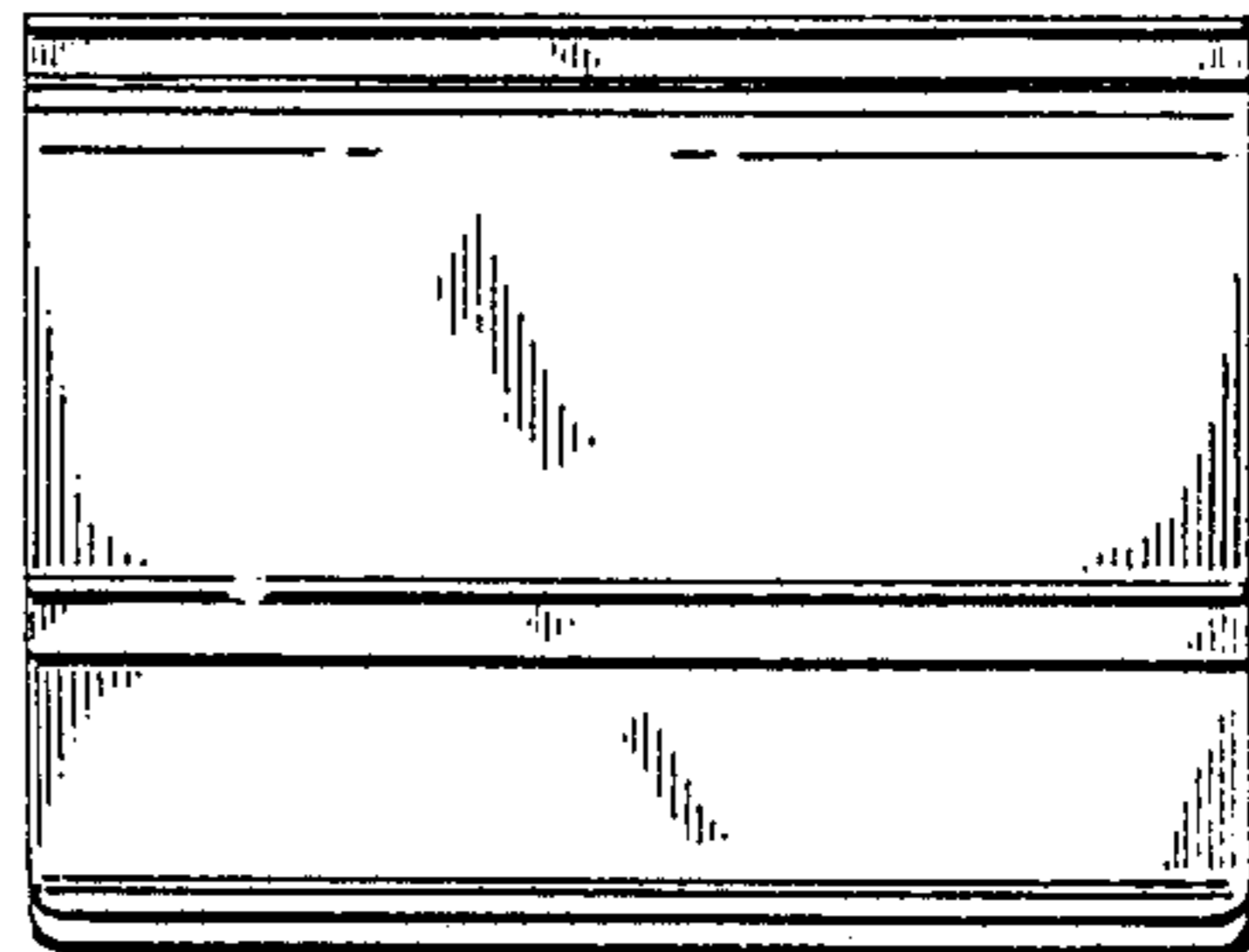


Fig. 4

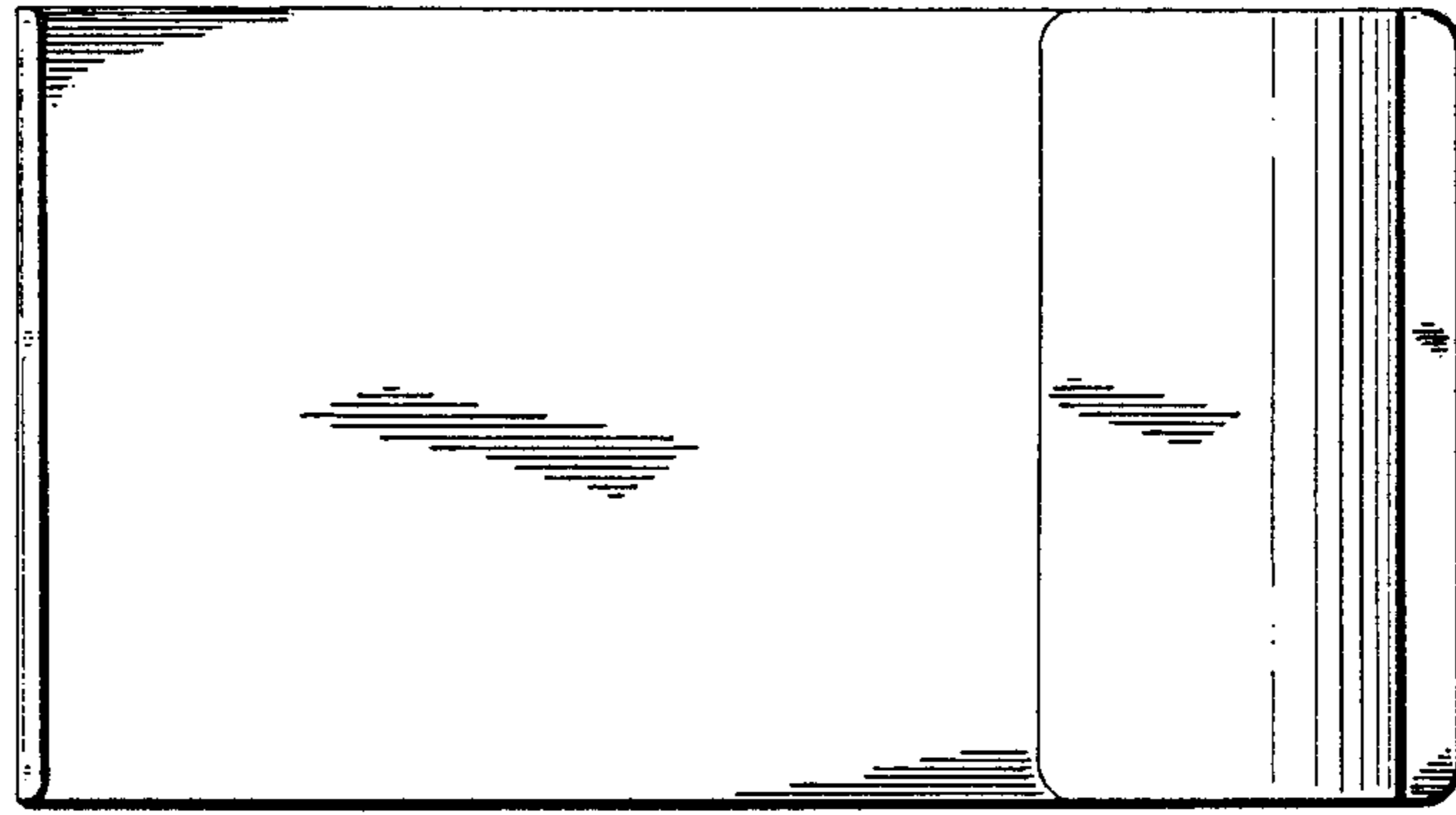


Fig. 5

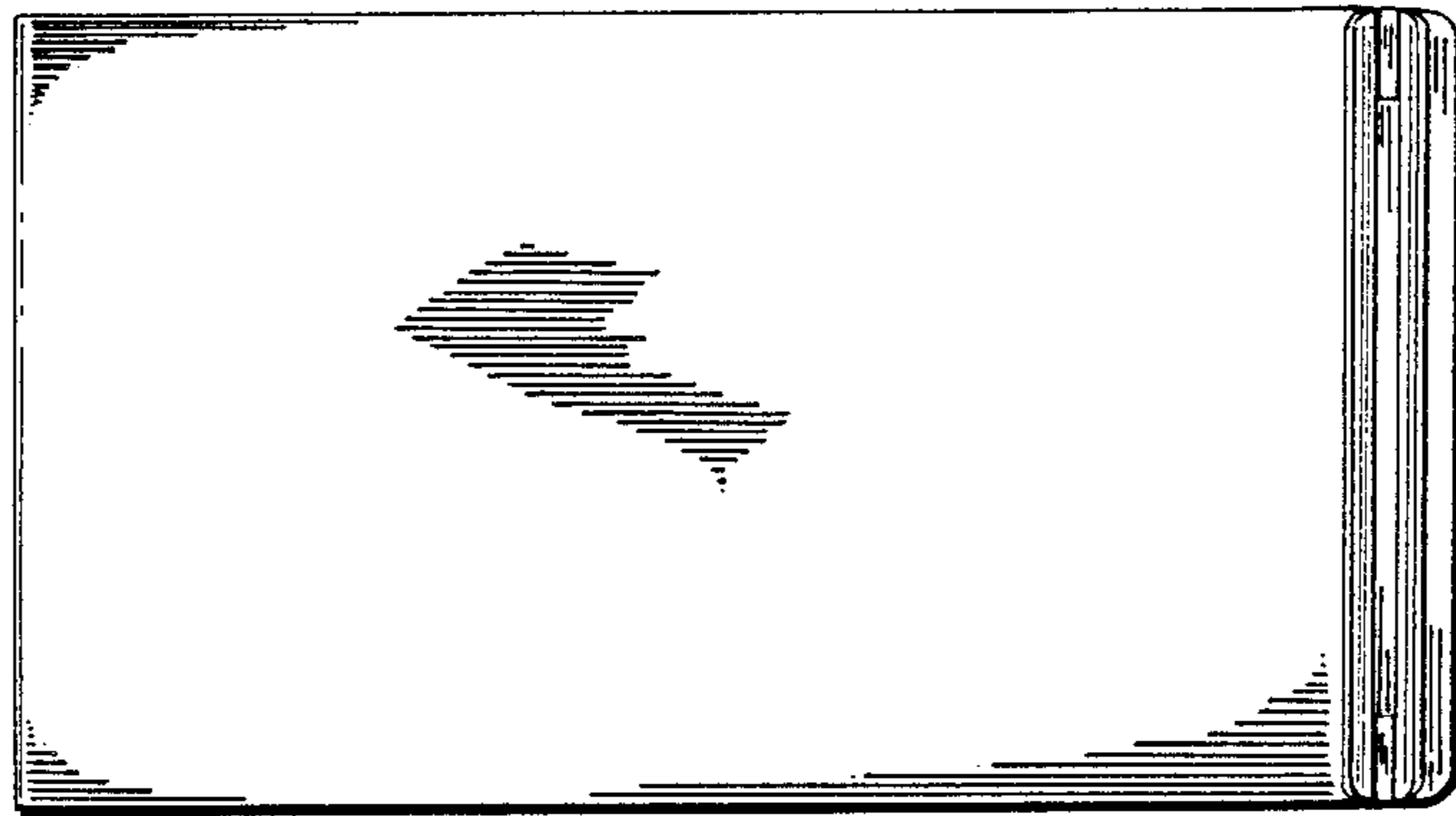


Fig. 6